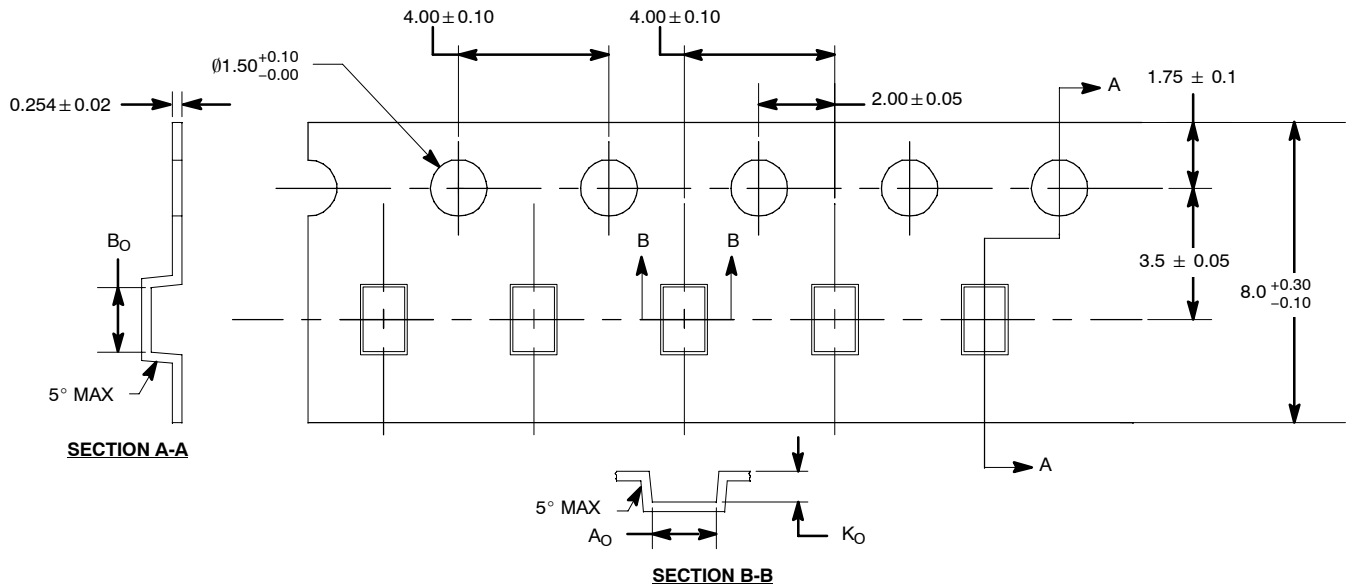




MICRO FOOT® 3x2: 0.5-mm PITCH, 0.165-mm BUMP HEIGHT



NOTES:

1. 10-sprocket hole pitch cumulative tolerance ± 0.2 .
2. Camber not to exceed 1 mm in 100 mm.
3. Material: Black Conductive Polycarbonate.
4. Pocket position relative to sprocket hole measured as true position of pocket, not pocket hole.
5. All sizes in mm unless specified.
6. Use 7" Lok reel with 8.4 mm width, (see row 3 of drawing of 93-5211-x).
7. Use seal tape with 5.4 mm width, (see row 8 of drawing of 92-5210-x).

PART #	VER	A ₀	B ₀	K ₀	REEL DIA.	LENGTH
DG3000-T1	-1	1.23 ± 0.05	1.73 ± 0.05	0.83 ± 0.05	178 mm	14 m approx.
DG3001-T1						
DG3002-T1	-2	1.19 ± 0.05	1.65 ± 0.05	0.86 ± 0.05		
DG3003-T1						

QUANTITY PER REEL	
T1	3000
ECN: S-32141—Rev. C, 10-Nov-03 DWG: 93-5221-x	