

Motorola Semiconductor Technical Data

Addendum to **68HC08AZ32** **Technical Data**

This addendum provides changes to the 68HC08AZ32 Advance Information Technical Data Book (Motorola document order number MC68HC08AZ32/D).

CGM - Reaction Time Calculation

The following paragraphs should be added to the end of the Reaction Time Calculation section on page 118 of the data book:

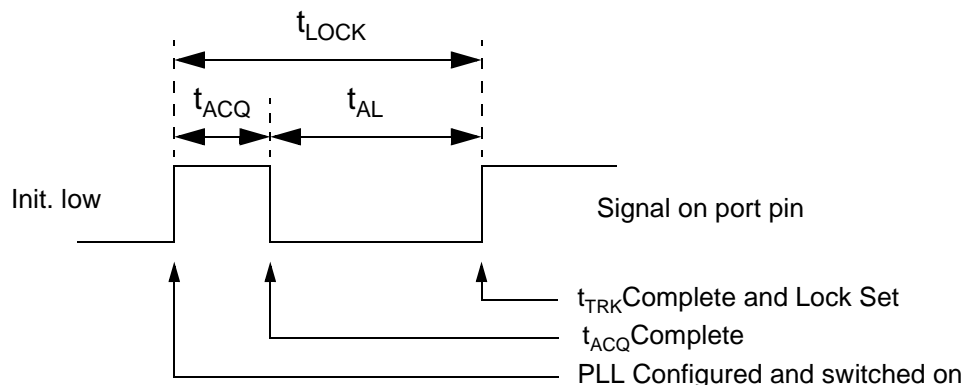
When defining a limit in software for the maximum lock time, the value must allow for variation due to all of the factors mentioned in this section, especially due to the Cf capacitor and application specific influences.

The calculated lock time is only an indication and it is the customer's responsibility to allow enough of a guard band for their application. Prior to finalising any software and while determining the maximum lock time, take into account all device to device differences. Typically, applications set the maximum lock time as an order of magnitude higher than the measured value. This is considered sufficient for all such device to device variation.

Motorola recommends measuring the lock time of the application system by utilising dedicated software, running in Flash, EEPROM or RAM. This should toggle a port pin when the PLL is first configured and switched on, then again when it goes from acquisition to lock mode and finally again when the PLL lock bit is set. The resultant waveform can be captured on an oscilloscope and used to determine the typical lock time for the micro controller and the associated external application circuit.

e.g.





NOTE: The filter capacitor should be fully discharged prior to making any measurements.


Electrical Specifications - CGM Acquisition/Lock Time information

The following additions have been made to the CGM Acquisition/Lock Time information on page 387 of the data book.

Description	Symbol	Min	Typ	Max	Unit
K value for automatic mode time to stable	K_{acq}	—	0.1	—	
K value for automatic mode stable to lock	K_{trk}	—	0.0015	—	
Automatic Lock Time	t_{LOCK}	—	1.7	25	ms

3. Conditions for typical and maximum values are for Run mode with $f_{XCLK} = 8\text{MHz}$, $f_{BUSDES} = 8\text{MHz}$, $N = 4$, $L = 7$, discharged $C_F = 15\text{nF}$, $V_{DD} = 5\text{V}$

4. Refer to Phase-Locked Loop (PLL) section for guidance on the use of the PLL.

Motorola reserves the right to make changes without further notice to any products herein. Motorola makes no warranty, representation or guarantee regarding the suitability of its products for any particular purpose, nor does Motorola assume any liability arising out of the application or use of any product or circuit, and specifically disclaims any and all liability, including without limitation consequential or incidental damages. "Typical" parameters which may be provided in Motorola data sheets and/or specifications can and do vary in different applications and actual performance may vary over time. All operating parameters, including "Typicals" must be validated for each customer application by customer's technical experts. Motorola does not convey any license under its patent rights nor the rights of others. Motorola products are not designed, intended, or authorized for use as components in systems intended for surgical implant into the body, or other applications intended to support or sustain life, or for any other application in which the failure of the Motorola product could create a situation where personal injury or death may occur. Should Buyer purchase or use Motorola products for any such unintended or unauthorized application, Buyer shall indemnify and hold Motorola and its officers, employees, subsidiaries, affiliates, and distributors harmless against all claims, costs, damages, and expenses, and reasonable attorney fees arising out of, directly or indirectly, any claim of personal injury or death associated with such unintended or unauthorized use, even if such claim alleges that Motorola was negligent regarding the design or manufacture of the part. Motorola and  are registered trademarks of Motorola, Inc. Motorola, Inc. is an Equal Opportunity/Affirmative Action Employer.

How to reach us:

USA/EUROPE: Motorola Literature Distribution; P.O. Box 5405, Denver, Colorado 80217. 1-303-675-2140

HOME PAGE: <http://motorola.com/sps/>

JAPAN: Motorola Japan Ltd.; SPS, Technical Information Center, 3-20-1, Minami-Azabu, Minato-ku, Tokyo 106-8573 Japan. 81-3-3440-3569

ASIA/PACIFIC: Motorola Semiconductors H.K. Ltd.; Silicon Harbour Centre, 2 Dai King Street, Tai Po Industrial Estate, Tai Po, N.T., Hong Kong. 852-26668334

CUSTOMER FOCUS CENTER: 1-800-521-6274



MOTOROLA

© Motorola, Inc., 2001

MC68HC08AZ32AD/D