

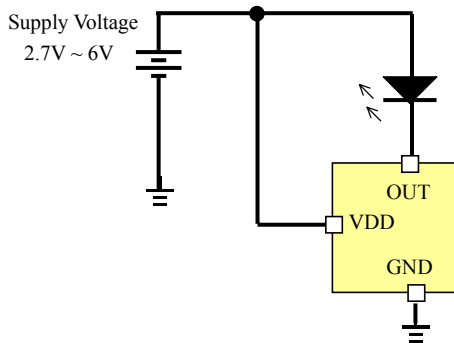
DESCRIPTION

The AMC7135 is a low dropout current regulator rated for 350mA constant sink current. The low quiescent current and low dropout voltage is achieved by advanced Bi-CMOS process.

FEATURES

- No external component required.
- 350mA constant sink current.
- Output short / open circuit protection.
- Low dropout voltage.
- Low quiescent current
- Build-in thermal protection
- Supply voltage range 2.7V ~ 6V
- 2KV HBM ESD protection
- Advanced Bi-CMOS process.
- SOT-89 and TO-252 package

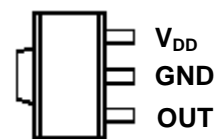
TYPICAL APPLICATIONS CIRCUIT



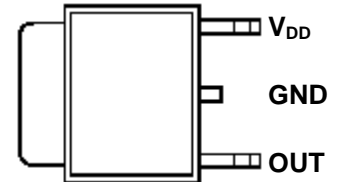
APPLICATIONS

- Power LED driver

PACKAGE PIN OUT



SOT-89
(Top View)



SOT-252
(Top View)

ORDER INFORMATION

PK	SOT-89	SJ	TO-252
	3-pin		3-pin
	AMC7135PK		AMC7135SJ
	AMC7135PKF (Lead Free)		AMC7135SJF (Lead Free)

Note: 1. All surface-mount packages are available in Tape & Reel. Append the letter "T" to part number (i.e. AMC7135PKT).
2. The letter "F" is marked for Lead Free process.