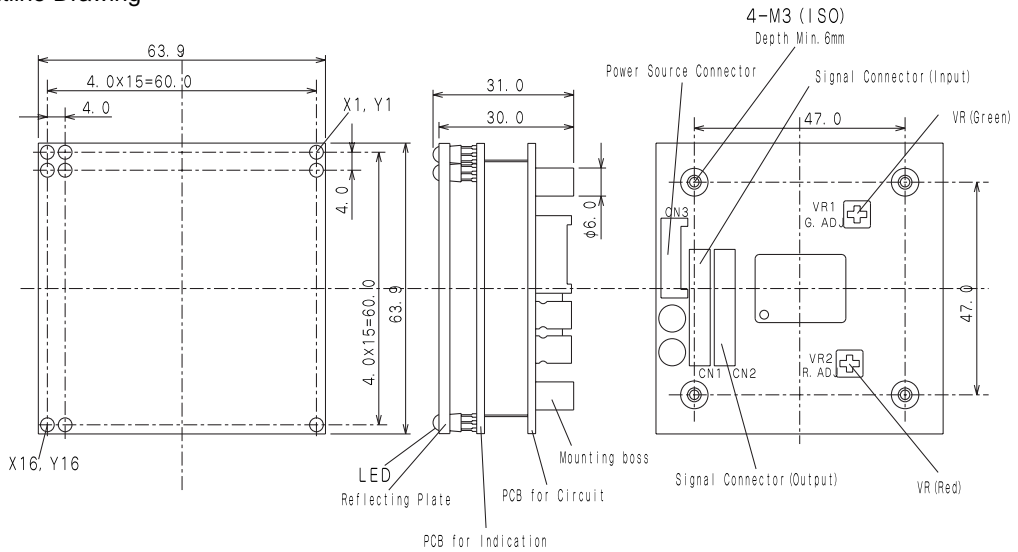


# PANEL DISPLAY UNITS

64 × 64 mm

φ 3 mm 16 × 16 Dots LNP123031

## Outline Drawing



## Absolute Maximum Ratings (Ta = 25°C)

Item	Symbol	Ratings	Unit
Supply Voltage for Logic	V <sub>CC</sub>	- 0.3 ~ + 6.0	V
Supply Voltage for LED	V <sub>LED</sub>	Max 5.5	V
Input Voltage	V <sub>in</sub>	- 0.3 ~ V <sub>CC</sub> + 0.3	V
Operating Ambient Temperature	T <sub>opr</sub>	- 10 ~ + 45	°C
Storage Temperature	T <sub>stg</sub>	- 25 ~ + 85	°C

## Main Specifications (Ta = 25°C)

Item	Symbol	Ratings	Unit	
Display Colors		Red, Green, Amber		
Dot Diameter		φ 3.0	mm	
Dots Pitch		4.0	mm	
Dot Total Number		256 (16 × 16)		
Display Surface Size		64 × 64	mm	
Brightness (when lighting all lamps)	B	Red : 100 Green : 105 Controllable	cd/m <sup>2</sup>	
Operating Method		1/16(Duty) Dynamic lighting		
Clock Frequency	CLK	Max 20	MHz	
for Logic	Supply Voltage	V <sub>CC</sub>	5.0 ± 0.25	V
	Supply Current	I <sub>CC</sub>	Max 40	mA
for LED	Supply Voltage	V <sub>LED</sub>	5.0 ± 0.2	V
	Supply Current	I <sub>LED</sub>	Max 6.5 when two colors are all turned "ON"	A
Weight		95	g	