

DS2155DK/DS2156DK T1/E1/J1 Single-Chip Transceiver Design Kit Daughter Cards

www.maxim-ic.com

GENERAL DESCRIPTION

The DS2155/DS2156 design kits are evaluation boards for the DS2155 and DS2156. The DS2155/DS2156 design kits are intended to be used as daughter cards with either the DK2000 or the DK101 motherboards. The boards are complete with a single-chip transceiver (SCT), transformers, termination resistors, configuration switches, line protection circuitry, network connectors, and an interface to the motherboard.

ORDERING INFORMATION

PART	DESCRIPTION
DS2155DK	DS2155 Design Kit Daughter Card
DS2156DK	DS2156 Design Kit Daughter Card

FEATURES

- Expedites New Designs by Eliminating First-Pass Prototyping
- Interfaces Directly to the DK101 or DK2000 Motherboards
- Demonstrates Key Functions of the DS2156 and DS2155
- High-Level Software Provides Visual Access to Registers
- Software-Controlled (Register Mapped) Configuration Switches to Facilitate Clock and Signal Routing
- BNC Connections for 75Ω E1
- Bantam and RJ48 Connectors for 120Ω E1 and 100Ω T1
- Multitap Transformer to Facilitate True Impedance Matching for 75Ω and 120Ω/100Ω Paths
- Network Interface Protection for Overvoltage and Overcurrent Events
- UTOPIA II Bus Connection for MPC8260 (DS2156 Only)
- UTOPIA II Prototype Connectors (DS2156 Only)
- Test Points and Prototype Area Available for Further Customization

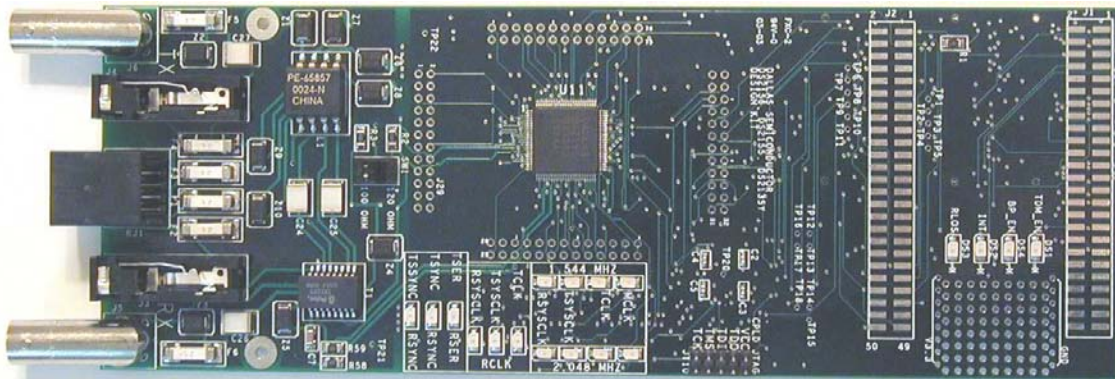


TABLE OF CONTENTS

COMPONENT LIST	3
BASIC OPERATION	4
HARDWARE CONFIGURATION	4
QUICK SETUP (DEMO MODE)	4
QUICK SETUP (REGISTER VIEW)	4
SAMPLE UTOPIA II CONFIGURATION (DS2156 ONLY)	5
REGISTER MAP	5
CPLD REGISTER MAP	6
DS2155/DS2156 INFORMATION	8
DS2155DK/DS2156DK INFORMATION	8
TECHNICAL SUPPORT	8
SCHEMATICS	8

LIST OF TABLES

Table 1. Daughter Card Address Map	5
Table 2. CPLD Register Map	6

COMPONENT LIST

DESIGNATION	QTY	DESCRIPTION	SUPPLIER	PART
C1–C5, C8–C12, C15–C19, C21, C22, C29–C34	23	0.1 μ F 10%, 16V ceramic capacitors (0603)	Digi-Key	311-1088-1-ND
C7, C36	2	1 μ F 10%, 16V ceramic capacitors (1206)	Digi-Key	PCC1882CT-ND
C13, C14	2	0.1 μ F 10%, 16V ceramic capacitors (0805)	Digi-Key	311-1142-1-ND
C23	1	0.1 μ F 10%, 25V ceramic capacitor (1206)	Digi-Key	PCC1883CT-ND
C24–C27	4	0.22 μ F, 50V ceramic capacitors	Digi-Key	UNK
C35	1	10 μ F 20%, 16V tantalum capacitor (B case)	Digi-Key	PCS3106CT-ND
DS1, DS4–DS18	16	LED, green, SMD	Digi-Key	P501CT-ND
DS2, DS3	2	LED, red, SMD	Digi-Key	P500CT-ND
F1–F6	6	250V, 1.25A fuse, SMT	Teccor Electronics	F1250T
J1, J2	2	Male 0.1, SMD, 50-pin, dual-row vertical	Samtec	TSM-125-01-T-DV
J3, J4	2	Bantam connectors	SWK	RTT34B02
J5, J6	2	Connector BNC RA 5-pin	Kruvand	UCBJR220
J7–J9	3	Socket, SMD, 50-pin, dual-row vertical	Samtec	TFM-125-02-S-D-LC
JT10	1	Connector, 10-pin, dual-row vertical	Digi-Key	S2012-05-ND
L1	1	Choke, dual 4-line 24 μ H, 8-pin SO	Pulse Engineering	PE-65857
R1, R14, R21	3	51.1 Ω 1%, 1/8W resistors (1206)	Digi-Key	P51.1FCT-ND
R2, R3, R58, R59	4	0 Ω 5%, 1/8W resistors (1206)	Digi-Key	P0.0ETR-ND
R4, R5, R60	3	51.1 Ω 1%, 1/10W resistors (0805)	Digi-Key	P51.1CCT-ND
R6, R9, R10, R13, R15–R19, R22, R23, R25–R29, R32, R37, R38, R44, R47–R49, R61	24	10k Ω 1%, 1/10W resistors (0805)	Digi-Key	P10.0KCCT-ND
R7, R8, R11, R12, R30, R31, R35, R36, R39–R43, R45, R50–R53	18	330 Ω 0.1%, 1/10W MF resistors (0805)	Digi-Key	P330ZCT-ND
R24	1	1.0k Ω 1%, 1/10W resistor (0805)	Digi-Key	P1.00KCCT-ND
R33, R34	2	NOPOP	—	NOPOP
R46	1	4.7k Ω 1%, 1/8W resistor (0805)	Digi-Key	9C08052A4701FK HFT
R54, R55	2	61.9 Ω 1%, 1/8W resistors (1206)	Digi-Key	P61.9FCT-ND
R56, R57	2	49.9 Ω 1%, 1/8W resistors (1206)	Digi-Key	P49.9FCT-ND
RJ1	1	RJ48 connector	Molex	43223
SW1	1	Switch DPDT slide 6-pin TH	Avnet	SSA22
T1	1	XFMR 16-pin SMT	Pulse Engineering	TX1099
U11	1	T1/E1/J1 XCVR 100-pin QFP, 0°C to +70°C	Dallas Semiconductor	DS2156L
U1–U4, U6	5	BBUS switch 10-bit CMOS, 150-mil, 24-pin SO	IDT	IDTQS3R861Q
U5	1	144-pin macrocell CPLD	Avnet	XC95144XL- 10TQ100C
U7–U10	4	Quad bus switch, 150-mil, 16-pin SO	IDT	IDTQS3125Q
Z1, Z6–Z8	4	160V, 500A Sidactor	Teccor Electronics	P1800SCMC
Z2, Z3	2	58V, 500A Sidactor	Teccor Electronics	P0640SCMC
Z4, Z5	2	6V, 50A Sidactor	Teccor Electronics	P0080SAMC
Z9, Z10	2	25V, 500A Sidactor	Teccor Electronics	P0300SCMC

BASIC OPERATION

This design kit relies upon several supporting files, which can be downloaded from our website at www.maxim-ic.com/DS2155DK.

Hardware Configuration

Using the DK101 processor board:

- Connect the daughter card to the DK101 processor board.
- Supply 3.3V to the banana-plug receptacles marked GND and VCC_3.3V. (The external 5V connector and the TIM 5V supply headers are unused.)
- All processor board DIP switch settings should be in the ON position with exception for the flash programming switch, which should be OFF.
- From the Programs menu launch the host application named ChipView.exe. Run the ChipView application. If the default installation options were used, click the Start button on the Windows toolbar and select Programs→ChipView→ChipView.

Using the DK2000 processor board:

- Connect the daughter card to the DK2000 processor board.
- Connect J1 to the power supply that is delivered with the kit. Alternately, a PC power supply can be connected to connector J2.
- From the Programs menu launch the host application named ChipView.exe. Run the ChipView application. If the default installation options were used, click the Start button on the Windows toolbar and select Programs→ChipView→ChipView.

General:

- Upon power-up the RLOS LED is lit, as well as the MCLK-2.048MHz and TCLK-2.048MHz LEDs.
- Due to the dual winding transformer, only the 120Ω line build-out configuration setting is needed to cover 75Ω E1 and 120Ω E1.

Quick Setup (Demo Mode)

- The PC loads the program, offering a choice among Demo Mode, Register View, and Terminal Mode. Select Demo Mode.
- The program requests a configuration file, then select between the displayed files. (DS2155_E1_DSNCOM_DRV.R.cfg or DS2155_T1_DSNCOM_DRV.R.cfg).
- The Demo Mode screen appears. Upon external loopback, the LOS and OOF indicators extinguish.

Quick Setup (Register View)

- The PC loads the program, offering a choice among Demo Mode, Register View, and Terminal Mode. Select Register View.
- The program requests a definition file, then select DS2155.def.
- The Register View screen appears, showing the register names, acronyms, and values.
- Predefined register settings for several functions are available as initialization files.
 - INI files are loaded by selecting the menu File→Reg Ini File→Load Ini File.
 - Load the INI file DS2155_T1_BERT_ESF.ini.
 - After loading the INI file the following may be observed:
 - The RLOS LED extinguishes upon external loopback.
 - The DS2155/DS2156 begins transmitting a Daly pattern. When external loopback is applied, the BERT bit-count registers BBC1–3 and BEC1–3 may be updated by clearing and setting BC1.LC and clicking the Read All button.

Miscellaneous:

- Clock frequencies and certain pin bias levels are provided by a register-mapped CPLD, which is on the DS2155/DS2156 daughter card.
- The definition file for this CPLD is named DS215x_35x_CPLD_V2.def. See the [CPLD Register Map](#) section for definitions.
- All files referenced above are available for download at www.maxim-ic.com/DS2155DK.

Sample UTOPIA II Configuration (DS2156 Only)

The following register settings configure the DS2156 daughter card for UTOPIA II, single CLAV, 8-bit mode on PHY port 0. UTOPIA II bus connection is provided by header J1 (Tx) and header J2 (Rx).

After configuring the following registers toggle the MSTREG.URST bit to reset the UTOPIA II core.

UTOPIA II Setup, Register Settings for daughter card CPLD

NAME	VALUE	NAME	VALUE
SWITCH 1	0x0F	SWITCH 4	0x0F
SWITCH 2	0x03	LEVELS	0x07
SWITCH 3	0x0F		

UTOPIA II Setup, Register Settings for DS2156 E1 Configuration

NAME	VALUE	NAME	VALUE
MSTREG	0x02	LBCR	0x00
E1RCR1	0x68	TAF	0x9B
E1RCR2	0x00	TNAF	0xC0
E1TCR1	0x15	LIC1	0x11
E1TCR2	0x00	LIC2	0x90
CCR1	0x00	LIC3	0x00
CCR4	0x00	LIC4	0x00
IOCR1	0x00		
IOCR2	0x00		

UTOPIA II Setup, Register Settings for DS2156 UTOPIA II Configuration

NAME	VALUE	NAME	VALUE
U_TCFR	0x01	U_RCR2	0x0
U_TCR1	0x05	U_TIUPB	0x0
U_TCR2	0x00	PCPR	0x22
U_RCFR	0x01	PCDR1, 2, 3, 4	0x0
U_RCR1	0x01		

REGISTER MAP

The DK101 daughter card address space begins at 0x81000000.

The DK2000 daughter card address space begins at:

- 0x30000000 for slot 0
- 0x40000000 for slot 1
- 0x50000000 for slot 2
- 0x60000000 for slot 3

All offsets given in [Table 1](#) are relative to the beginning of the daughter card address space.

Table 1. Daughter Card Address Map

OFFSET	DEVICE	DESCRIPTION
0X0000 to 0X0015	CPLD	Board identification and clock/signal routing
0X1000 to 0X10ff	Single-Chip Transceiver	Board is populated with one of the following: DS2156, DS2155, DS21352, or DS21354. Please see data sheet for details.

Registers in the CPLD can be easily modified using the ChipView.exe, a host-based user interface software along with the definition file named *DS215x_35x_CPLD_V2.def*. Definition files for the SCT are named *DS2155.def*, *DS21352.def*, or *DS21354.def*, depending on the board population option.

CPLD Register Map

Table 2. CPLD Register Map

OFFSET	NAME	TYPE	DESCRIPTION
0X0000	BID	Read-Only	Board ID
0X0002	XBIDH	Read-Only	High-Nibble Extended Board ID
0X0003	XBIDM	Read-Only	Middle-Nibble Extended Board ID
0X0004	XBIDL	Read-Only	Low-Nibble Extended Board ID
0X0005	BREV	Read-Only	Board FAB Revision
0X0006	AREV	Read-Only	Board Assembly Revision
0X0007	PREV	Read-Only	PLD Revision
0X0011	SWITCH1	Read-Write	Pin to 1.544MHz
0X0012	SWITCH2	Read-Write	Pin to 2.048MHz
0X0013	SWITCH3	Read-Write	Pin-to-Pin Connect
0X0014	SWITCH4	Read-Write	Pin-to-Pin Connect
0X0015	LEVELS	Read-Write	Set Level On Pin 1 = 3.3V

ID Registers

OFFSET	NAME	TYPE	VALUE	DESCRIPTION
0X0000	BID	Read-Only	0xD	Board ID
0X0002	XBIDH	Read-Only	0x0	High-Nibble Extended Board ID
0X0003	XBIDM	Read-Only	0x0	Middle-Nibble Extended Board ID
0X0004	XBIDL	Read-Only	0x5	Low-Nibble Extended Board ID
0X0005	BREV	Read-Only	Displays current FAB revision	Board FAB Revision
0X0006	AREV	Read-Only	Displays current assembly revision	Board Assembly Revision
0X0007	PREV	Read-Only	Displays current PLD firmware revision	PLD Revision

Control Registers

The control registers are used primarily to control several banks of FET switches that route clocks and backplane signals. Please note that certain register settings cause line contention, e.g., setting SWITCH1.4 and SWITCH2.4 both to 0 would drive MCLK with both 1.544MHz and 2.048MHz.

SWITCH1: PIN TO 1.544MHz (OFFSET = 0x0011) INITIAL VALUE = 0xF

(MSB)

(LSB)

—	—	—	—	MCLK	TCLK	RSYSCLK	TSYSCLK
---	---	---	---	------	------	---------	---------

NAME	POSITION	FUNCTION
MCLK	SWITCH1.3	0 = Connect MCLK to the 1.544MHz clock 1 = Open Switch 1.4
TCLK	SWITCH1.2	0 = Connect TCLK to the 1.544MHz clock 1 = Open Switch 1.3
RSYSCLK	SWITCH1.1	0 = Connect RSYSCLK to the 1.544MHz clock 1 = Open Switch 1.2
TSYSCLK	SWITCH1.0	0 = Connect TSYSCLK to the 1.544MHz clock 1 = Open Switch 1.1

SWITCH2: PIN TO 2.048MHz (Offset = 0X0012) INITIAL VALUE = 0x3**(MSB)****(LSB)**

—	—	—	—	MCLK	TCLK	RSYSCLK	TSYSCLK
---	---	---	---	------	------	---------	---------

NAME	POSITION	FUNCTION
MCLK	SWITCH2.3	0 = Connect MCLK to the 2.048MHz clock 1 = Open Switch 2.4
TCLK	SWITCH2.2	0 = Connect TCLK to the 2.048MHz clock 1 = Open Switch 2.3
RSYSCLK	SWITCH2.1	0 = Connect RSYSCLK to the 2.048MHz clock 1 = Open Switch 2.2
TSYSCLK	SWITCH2.0	0 = Connect TSYSCLK to the 2.048MHz clock 1 = Open Switch 2.1

SWITCH3: PIN-TO-PIN CONNECT (Offset = 0X0013) INITIAL VALUE = 0xF**(MSB)****(LSB)**

—	—	—	—	TSS_RS	TCL_RC	RSY_RC	TSY_RC
---	---	---	---	--------	--------	--------	--------

NAME	POSITION	FUNCTION
TSS_RS	SWITCH3.3	0 = Connect TSSYNC to RSYNC 1 = Open Switch 3.4
TCL_RC	SWITCH3.2	0 = Connect TCLK to RCLK 1 = Open Switch 3.3
RSY_RC	SWITCH3.1	0 = Connect RSYSCLK to RCLK 1 = Open Switch 3.2
TSY_RC	SWITCH3.0	0 = Connect TSYSCLK to RCLK 1 = Open Switch 3.1

SWITCH4: PIN-TO-PIN CONNECT (Offset = 0X0014) INITIAL VALUE = 0x3**(MSB)****(LSB)**

—	—	—	—	UTCLK_2048	UT_CLK_2048	RSER_TSER	RSYNC_TSYNC
---	---	---	---	------------	-------------	-----------	-------------

NAME	POSITION	FUNCTION
URCLK_2048	SWITCH4.3	0 = Connect UR_CLK (TSSYNC) to 2.048MHz 1 = Open Switch 4.4
UTCLK_2048	SWITCH4.2	0 = Connect UT_CLK (TCHCLK) to 2.048MHz 1 = Open Switch 4.3
RSER_TSER	SWITCH4.1	0 = Connect RER to TSER 1 = Open Switch 4.2
RSYNC_TSYNC	SWITCH4.0	0 = Connect RSYNC to TSYNC 1 = Open Switch 4.1

LEVELS: SET LEVEL ON PIN (Offset = 0X0015) INITIAL VALUE = 0x6

(MSB)					(LSB)		
—	—	—	—	—	BP_EN	PPCTDM_EN	TUSEL

NAME	POSITION	FUNCTION
—	LEVELS1.3	—
BP_EN	LEVELS1.2	0 = Enable IDT switches that connect the UTOPIA bus to daughter card header
PPCTDM_EN	LEVELS1.1	0 = Enable IDT switches that connect the TDM bus to the daughter card header
TUSEL	LEVELS1.0	0 = Set DS2156.TUSEL to enable TDM backplane 1 = Set DS2156.TUSEL to enable UTOPIA backplane

Note: When the UTOPIA backplane is enabled (LEVELS.TUSEL = 1) there is a possibility for contention between the UTOPIA bus master and TSYSClk, TSER, and RSER. To avoid this, the following switches should be opened when the UTOPIA backplane is enabled: SWITCH1.0, SWITCH2.0, SWITCH3.0, and SWITCH4.1

DS2155/DS2156 INFORMATION

For more information about the DS2155 and DS2156, please consult the DS2155 and DS2156 data sheets available on our website at www.maxim-ic.com/DS2155 and www.maxim-ic.com/DS2156. Software downloads are also available for this design kit.

DS2155DK/DS2156DK INFORMATION

For more information about the DS2155DK and DS2156DK, including software downloads, please consult the DS2155DK/DS2156DK data sheet available on our website at www.maxim-ic.com/DS2155DK.

TECHNICAL SUPPORT

For additional technical support, please e-mail your questions to telecom.support@dalsemi.com.

SCHEMATICS

The DS2155DK/DS2156DK schematics are featured in the following 13 pages.

Maxim/Dallas Semiconductor cannot assume responsibility for use of any circuitry other than circuitry entirely embodied in a Maxim/Dallas Semiconductor product. No circuit patent licenses are implied. Maxim/Dallas Semiconductor reserves the right to change the circuitry and specifications without notice at any time.

Maxim Integrated Products, 120 San Gabriel Drive, Sunnyvale, CA 94086 408-737-7600

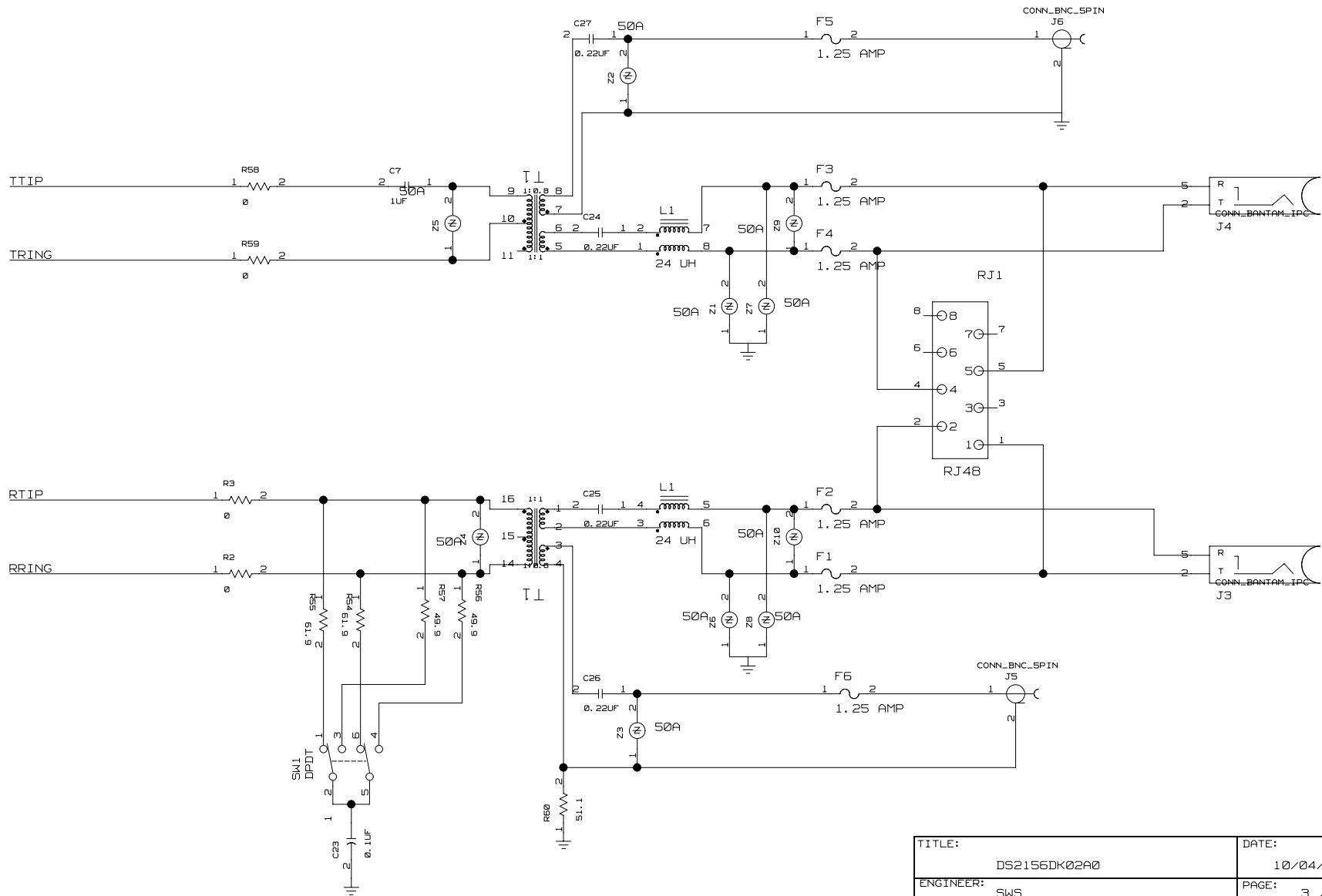
© 2003 Maxim Integrated Products • Printed USA

DS2156, DS2155, DS2135Y DESIGN KIT

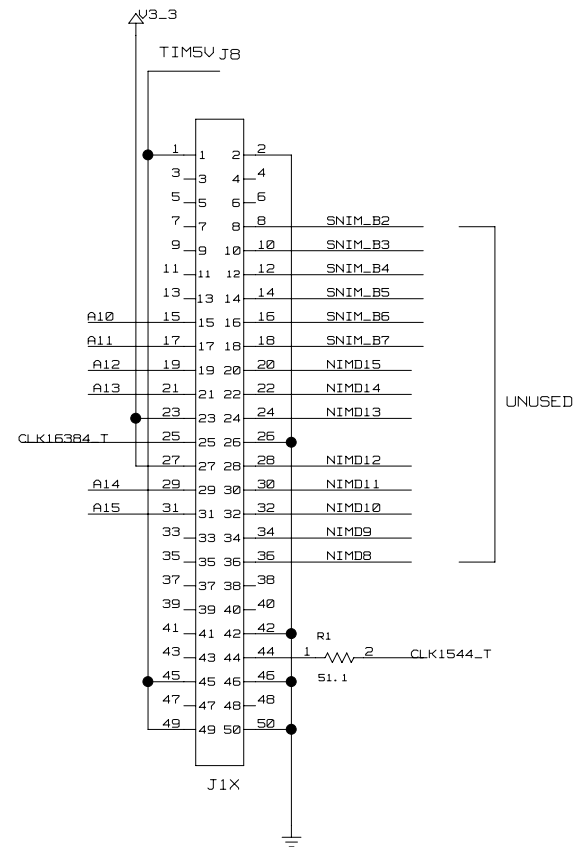
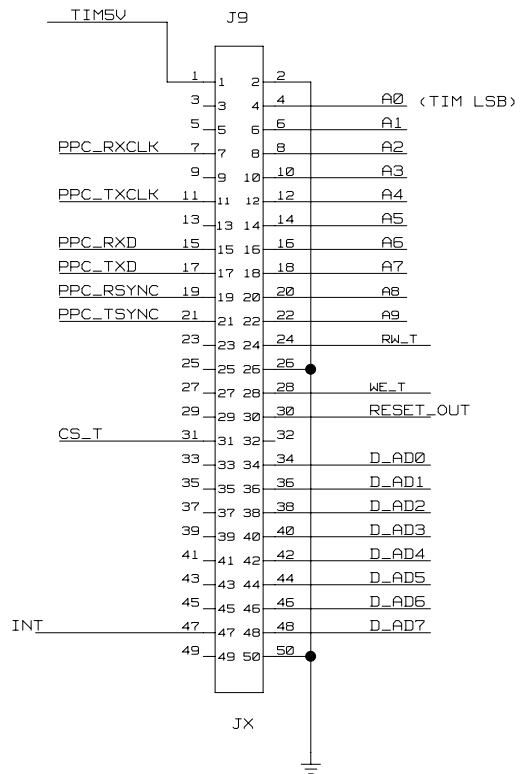
CONTENTS

1. COVER PAGE
2. SCT POPULATION OPTION (DS2155, DS2156, DS21352 OR DS21354)
3. TX AND RX ANALOG PATHS
4. TIM ADDRESS AND DATA BUS
5. CPLD ADDRESS DATA CONNECTIONS, BIAS LEVELS FOR SCT
6. UTOPIA: TIM HEADER AND BUS SWITCHES
7. TESTPOINTS FOR UTOPIA 2
8. UTOPIA: NETLIST ASSOCIATIONS
9. SWITCHING FOR CLOCKS AND TDM
10. SUPPLY DECOUPLING
11. SCT TESTPOINTS
12. NETLIST CROSS-REFERENCE
13. PART CROSS-REFERENCE

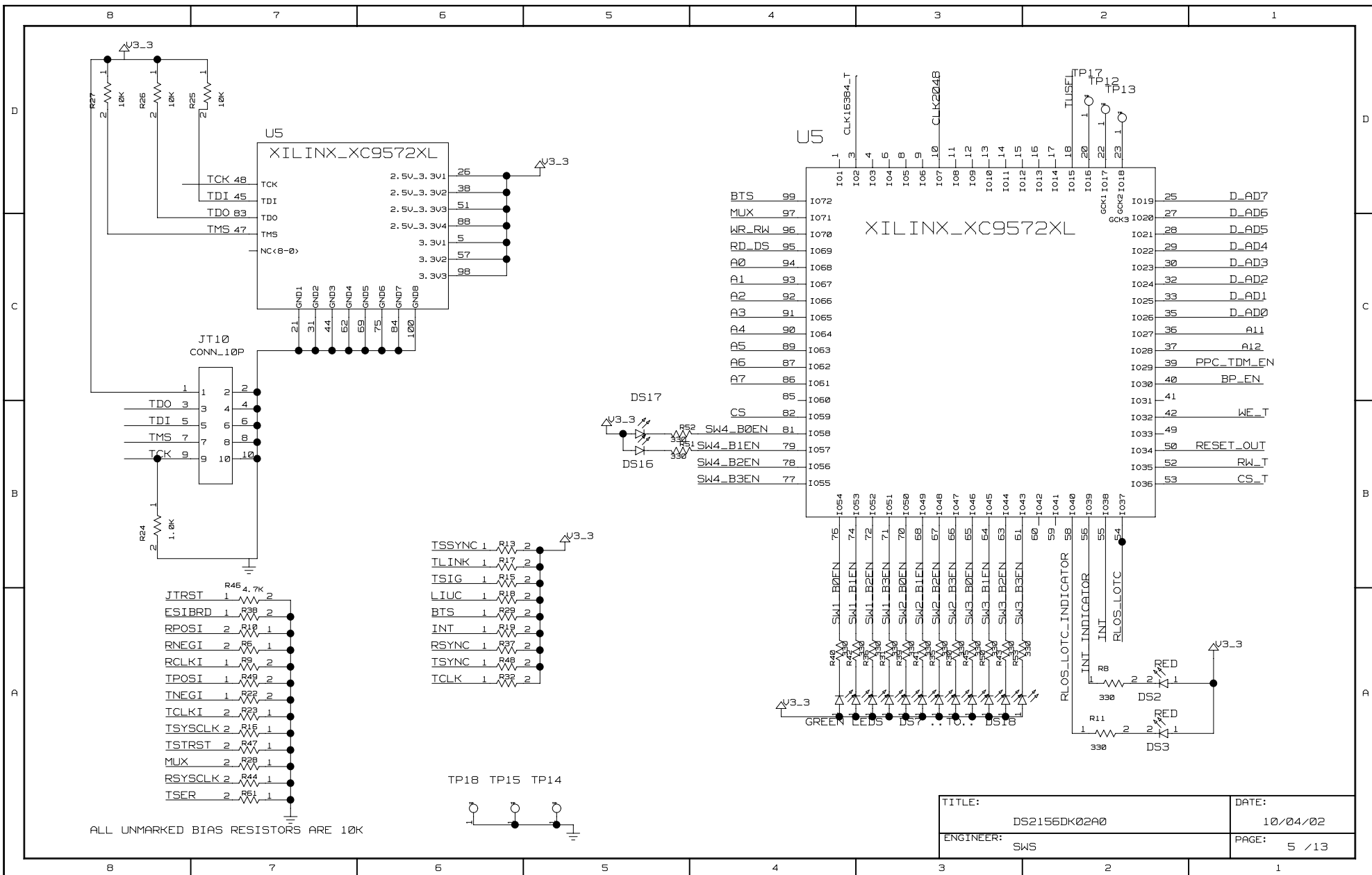
TITLE:	DS2156DK02A0	DATE:	10/04/02
ENGINEER:	SWS	PAGE:	1 / 13

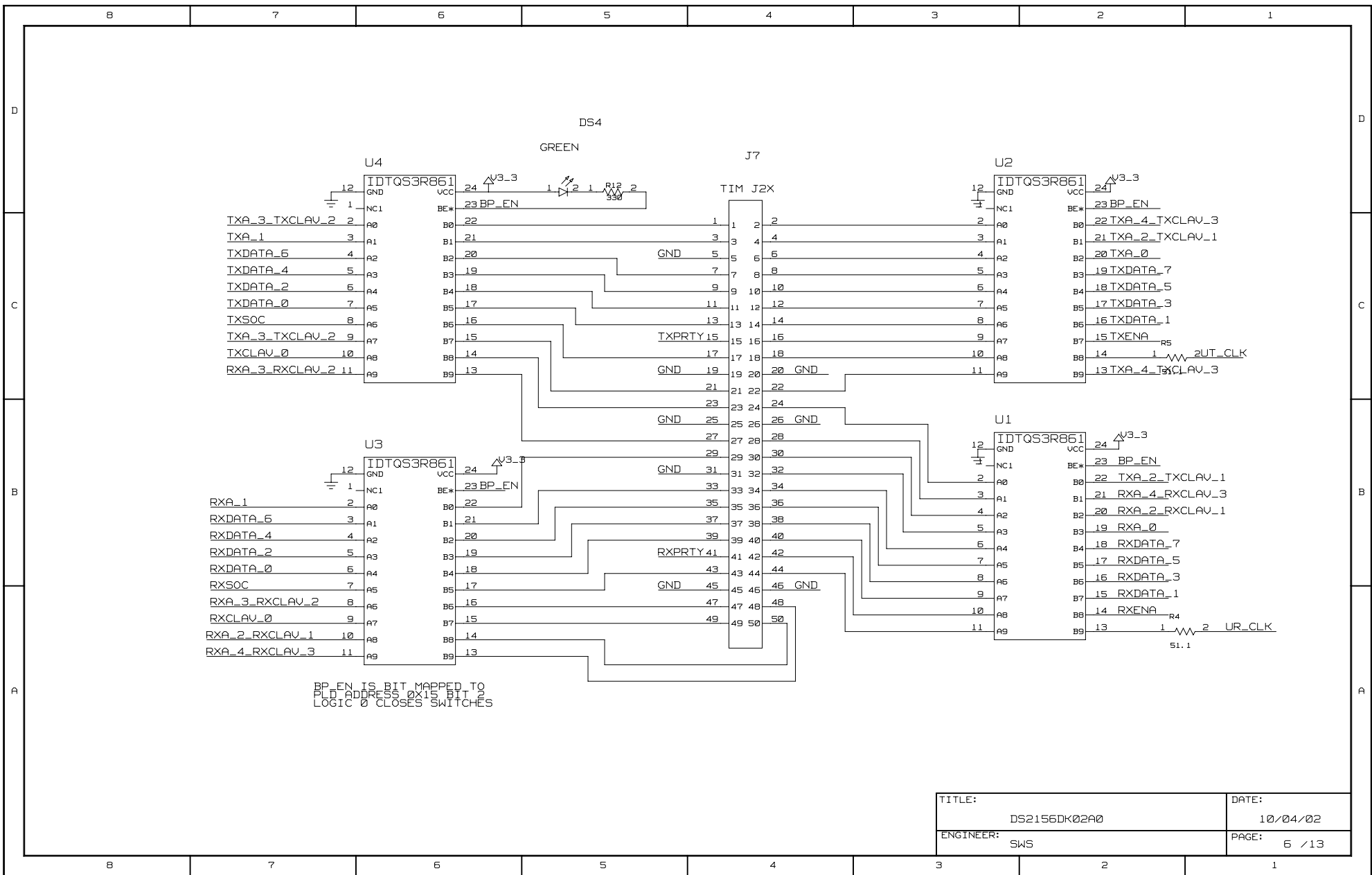


TITLE:	DS2156DK02A0	DATE:	10/04/02
ENGINEER:	SWS	PAGE:	3 / 13

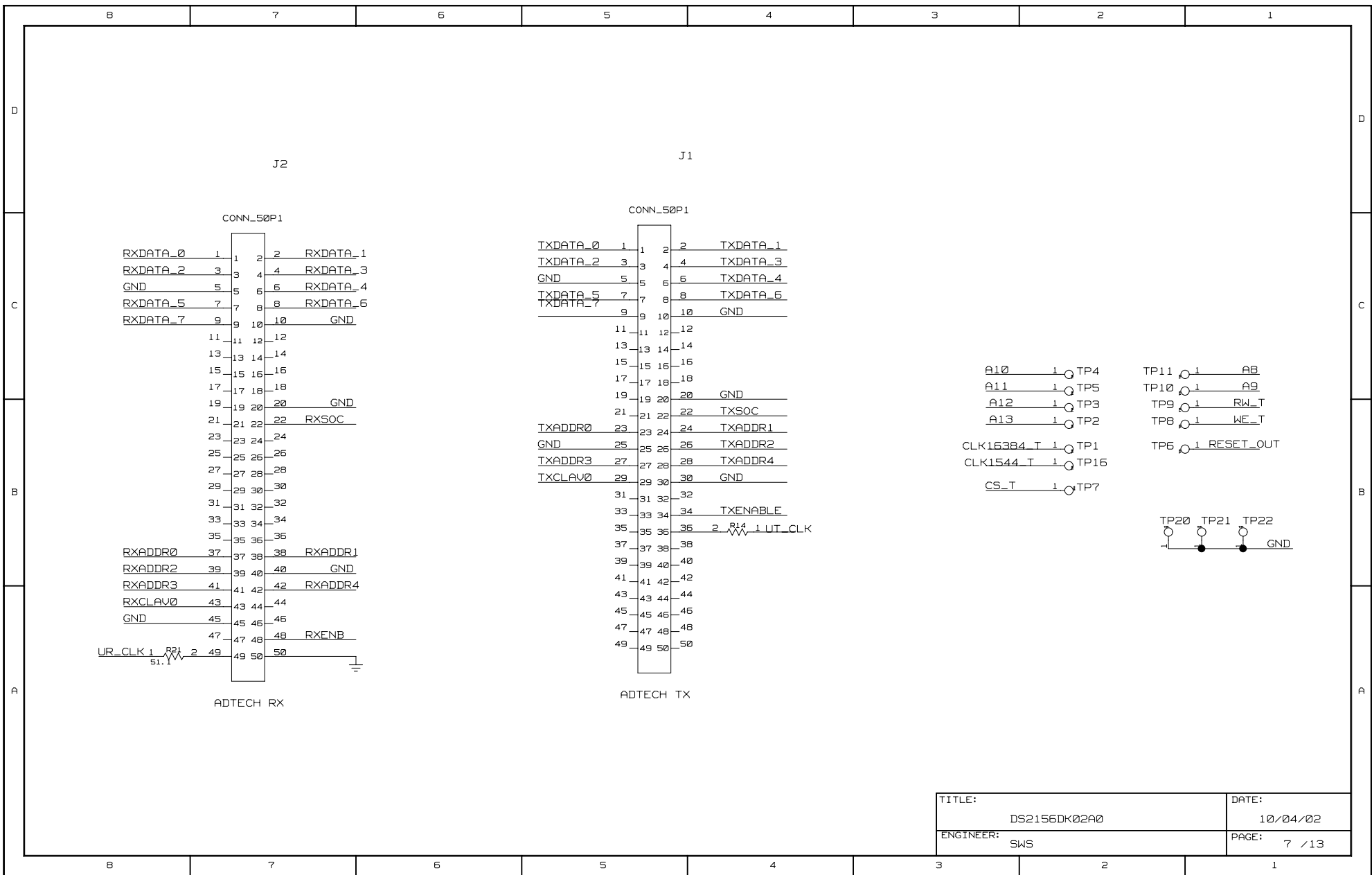


TITLE:	DS2156DK02A0	DATE:	10/04/02
ENGINEER:	SWS	PAGE:	4 / 13

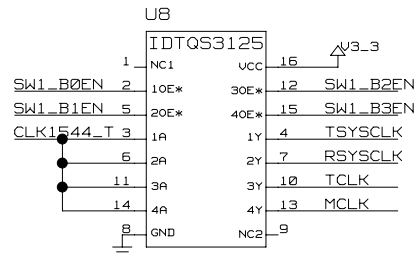




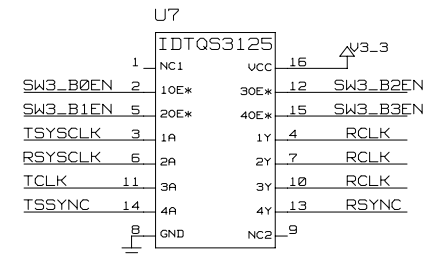
TITLE:	DS2156DK02A0	DATE:	10/04/02
ENGINEER:	SWS	PAGE:	6 / 13



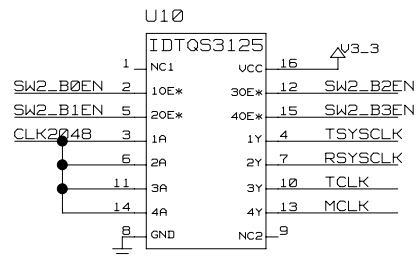
TITLE:	DS2156DK02A0	DATE:	10/04/02
ENGINEER:	SWS	PAGE:	7 / 13



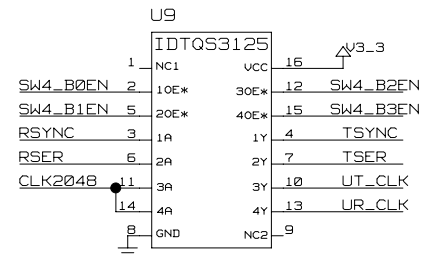
SWITCH 1 IS MEMORY MAPPED
TO PLD REGISTER 0X11
LOGIC 0 CLOSSES SWITCH
LOGIC 1 OPENS SWITCH



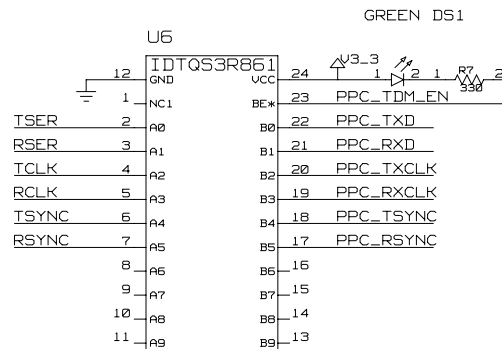
SWITCH 3 IS MEMORY MAPPED
TO PLD REGISTER 0X13
LOGIC 0 CLOSSES SWITCH
LOGIC 1 OPENS SWITCH



SWITCH 2 IS MEMORY MAPPED
TO PLD REGISTER 0X12
LOGIC 0 CLOSSES SWITCH
LOGIC 1 OPENS SWITCH



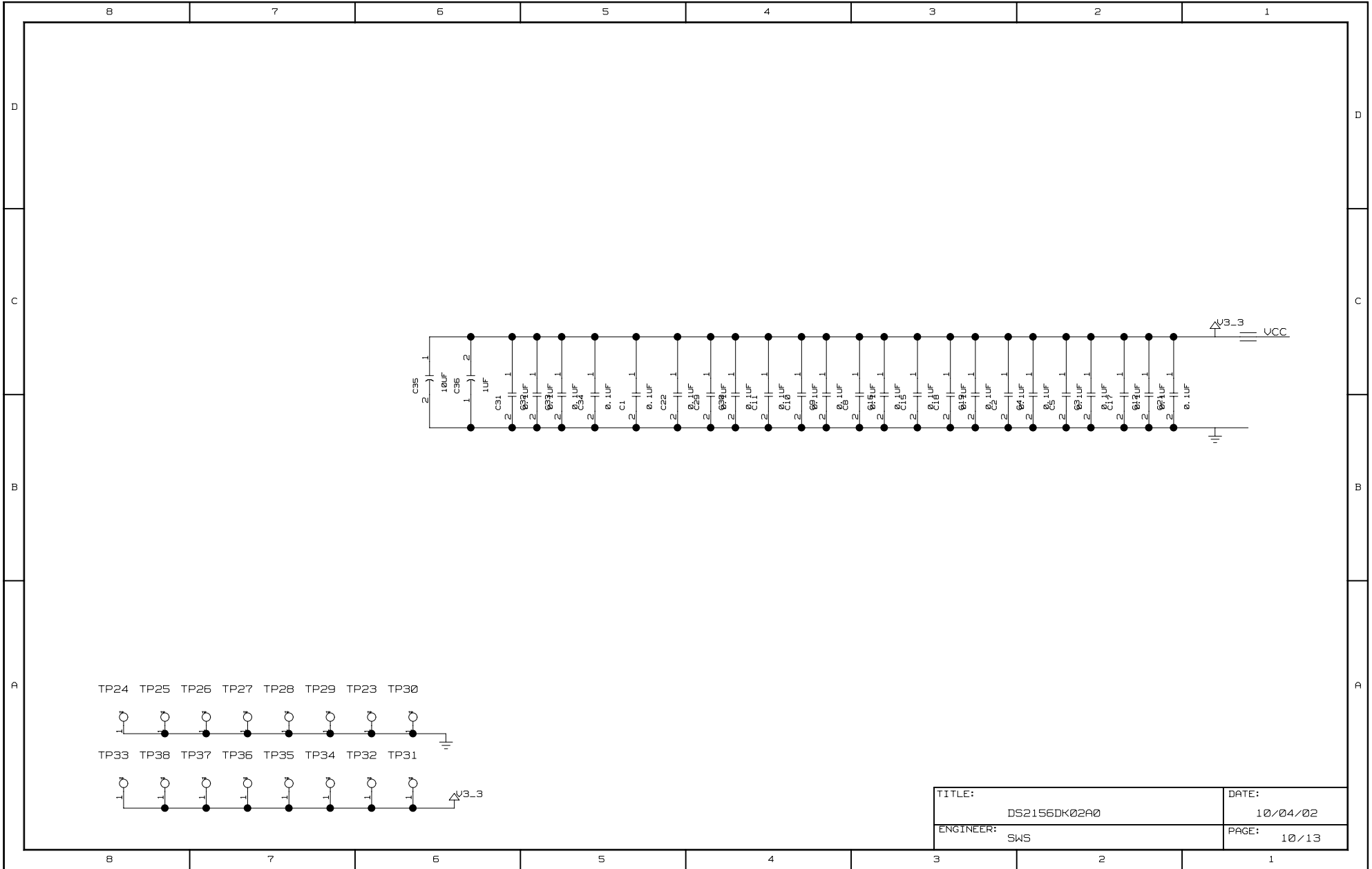
SWITCH 4 IS MEMORY MAPPED
TO PLD REGISTER 0X14
LOGIC 0 CLOSSES SWITCH
LOGIC 1 OPENS SWITCH



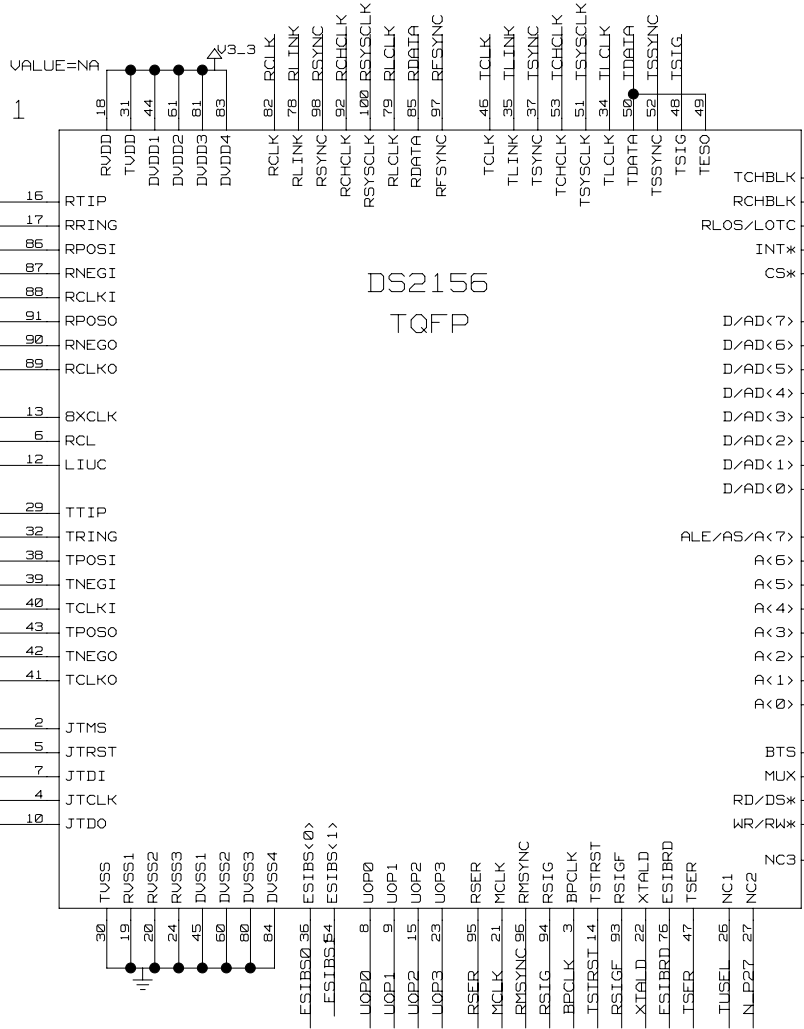
GREEN DS1

PPC_TDM_EN IS BIT MAPPED TO
PLD ADDRESS 0X15, BIT 1
LOGIC 0 CLOSSES SWITCHES

TITLE:	DS2156DK02A0	DATE:	10/04/02
ENGINEER:	SWS	PAGE:	9 / 13



TITLE:	DS2156DK02A0	DATE:	10/04/02
ENGINEER:	SWS	PAGE:	10/13



DS2156
TQFP

TITLE:	DS2156DK02A0	DATE:	10/04/02
ENGINEER:	SWS	PAGE:	11 / 13

	8	7	6	5	4	3	2	1								
D	<p>*** Signal Cross-Reference for the entire design ***</p> <pre> BXCLK 2C8< 11C7> A0 4C6< 5C4< 2B3< 11B3< A1 4C6< 5C4< 2B3< 11B3< A2 4C6< 5C4< 2B3< 11B3< A3 4C6< 5C4< 2B3< 11B3< A4 4C6< 5C4< 2B3< 11B3< A5 4C6< 5C4< 2B3< 11B3< A6 4C6< 5C4< 2B3< 11B3< A7 4C6< 5C4< 2B3< 11B3< A8 4C6< 7B1< A9 4B6< 7B1< A10 4C3< 7C3< A11 4C3< 5C1< 7C3< A12 4C3< 5C1< 7B3< A13 4B3< 7B3< A14 4B3< A15 4B3< BPCLK 2A5< 8D4< 11A4> BP_EN 5C1< 5B2< 6B5< 6C2< 6C5< BTS 5D4< 2B3< 5A6< 11A3< CLK1544_T 7B3< 9D6< 4B2< CLK204B 5D3< 9B3< 9B6< CLK163B4_T 4B4< 5D3< 7B3< CS 5B4< 2C3< 11C3< CS_T 4B6< 5B1< 7B3< D_AD0 2B3< 4B6< 5C1< 11B3< D_AD1 2C3< 4B6< 5C1< 11B3< D_AD2 2C3< 4B6< 5C1< 11C3< D_AD3 2C3< 4B6< 5C1< 11C3< D_AD4 2C3< 4B6< 5C1< 11C3< D_AD5 2C3< 4B6< 5C1< 11C3< D_AD6 2C3< 4A6< 5C1< 11C3< D_AD7 2C3< 4A6< 5D1< 11C3< ESIBRD 2A5< 11A4< 5A8< ESIBS0 2A6< 11A6< ESIBS1 2A6< 11A5< INT 2C3< 4A6< 5A2< 11C3> 5A6< INT_INDICATOR 5A2< JTCLK 2A8< 11A7< JTDI 2A8< 11A7< JTDO 2A8< 11A7> JTMS 2B8< 11B7< JTRST 2B8< 5A8< 11A7< LIUC 8B4> 2C8< 5A6< 11B7< MCLK 9B6< 9C6< 2A5< 11A5< MUX 5C4< 2A3< 5A8< 11A3< NIMD0 4B2< NIMD0 4B2< NIMD10 4B2< NIMD11 4B2< NIMD12 4B2< NIMD13 4B2< NIMD14 4B2< NIMD15 4C2< N_P27 2A4< 11A4< N_P28 2A3< 11A3< PPC_RSVC 4C8< 9A4< PPC_RXCLK 4C8< 9A4< PPC_RXD 4C8< 9A4< PPC_TDM_EN 5C1< 9A4< PPC_TSYNC 4B8< 9A4< PPC_TXCLK 4C8< 9A4< PPC_TXD 4C8< 9A4< RCHBLK 2C3< 8D4< 11C3> RCHCLK 2D6< 8D7< 11D5> RCL 2C8< 11C7> RCLK 2D6> 9A6< 9C1< 9C1< 9D1< 11D5> RCLKI 8A7> 2C8< 5A8< 11C7< RCLKO 2C8< 8A7< 11C7> RDATA 2D6> 11D5> RD_DS 5C4< 2A3< 11A3< RESET_OUT 4B6< 5B1< 7B1< RFSYNC 2D6> 8C7< 11D5> RLCLK 2D6> 8B7< 11D5> </pre>		<pre> RLINK 2D5> 8B7< 11D5> RLOS_LOTC 2C3> 5B2< 11C3> RLOS_LOTC_INDICATOR 5A2< RMSYNC 2A5> 8C7< 11A5> RNEG1 8B7> 2C8< 5A8< 11C7< RNEG0 2C8< 8A7< 11C7> RPOSI 8B7> 2C8< 5A8< 11C7< RPOSO 2C8< 8A7< 11C7> RRING 2C8< 3B8< 11C7< RSER 2A5> 8C7> 9A6< 9B3< 11A5> RSIG 2A5> 8D7< 11A5> RSIGF 2A5> 8D7< 11A4> RSYNC 2D5< 9A6< 9B3< 9C1< 11D5< 5A6< RSYSCLK 9B6< 9C3< 9D6< 2D6< 5A8< 11D5< RTIP 2C8< 3B8< 11C7< RWLT 4B6< 5B1< 7B1< RXADDR0 7B8< 8D8 RXADDR1 7B8< 8D8 RXADDR2 7B8< 8D8 RXADDR3 7B8< 8C8 RXADDR4 7B6< 8C8 RXA_0 6B2< 8D7> RXA_1 6B7< 8D7> RXA_2_RXCLAV_1 6A7< 6B2< 8D7> RXA_3_RXCLAV_2 6A7< 6C7< 8C7> RXA_4_RXCLAV_3 6A7< 6B2< 8C7> RXCLAV0 7A8< 8C8 RXCLAV_0 6A7< 8C7> RXDATA_0 6B7< 7C8< 8B7> 8B8 RXDATA_1 6A2< 7C8< 8B7> 8B8 RXDATA_2 6B7< 7C8< 8B7> 8B8 RXDATA_3 6B2< 7C6< 8B7> 8B8 RXDATA_4 6B7< 7C5< 8A7> 8A8 RXDATA_5 6B2< 7C8< 8A7> 8A8 RXDATA_6 6B7< 7C5< 8A7> 8A8 RXDATA_7 6B2< 7C8< 8A7> 8A8 RXENA 6A2< 8D4> RXENB 7A6< 8D5 RXPRTY 6B5< RXSOC 6B7> 7B6< 8D4> 8D5 SNIM_B2 4C2< SNIM_B3 4C2< SNIM_B4 4C2< SNIM_B5 4C2< SNIM_B6 4C2< SNIM_B7 4C2< SW1_B0EN 5A4< 9D8< SW1_B1EN 5A4< 9D8< SW1_B2EN 5A3< 9D6< SW1_B3EN 5A3< 9D6< SW2_B0EN 5A3< 9B8< SW2_B1EN 5A3< 9B8< SW2_B2EN 5A3< 9B6< SW2_B3EN 5A3< 9B6< SW3_B0EN 5A3< 9D3< SW3_B1EN 5A3< 9D3< SW3_B2EN 5A3< 9D1< SW3_B3EN 5A3< 9D1< SW4_B0EN 5B4< 9B3< SW4_B1EN 5B4< 9B3< SW4_B2EN 5B4< 9B2< SW4_B3EN 5B4< 9B2< TCHBLK 2D3> 8C4> 11C3> TCHCLK 2D5> 11D4> 8A1< TCK 5B8< 5D8< TCLK 9A6< 9B6< 9C3< 9C6< 2D5< 5A6< 11D5< TCLKI 8B4> 2B8< 5A8< 11B7< TCLKO 2B8< 8A4> 11B7> TDATA 2D5< 11D4> TDI 5B8< 5D7< TDO 5B8< 5C7< TIMSV 4D3< 4D8< TLCLK 2D5> 8C4> 11D4> TLINK 8C4> 2D5< 5B6< 11D5< TMS 5B8< 5C7< </pre>		<pre> TNEG1 8B4> 2B8< 5A8< 11B7< TNEG0 2B8> 8A4> 11B7> TPOSI 8C4> 2B8< 5A8< 11B7< TPOSO 2B8> 8A4> 11B7> TRING 2B8> 11B7> 3C8< TSER 8A4> 9A6< 9B2< 2A5< 5A8< 11A4< TSIG 8D1> 2D5< 5B6< 11D4< TSSYNC 9C3< 2D5< 5B6< 8A1< 11D4< TSTRST 2A5< 5A8< 11A4< TSYNC 2D5< 9A6< 9B2< 11D5< 5A6< TSYSCLK 8D1> 9B6< 9D3> 9D6< 2D5< 5A8< 11D4< TTIP 2B8> 11B7> 3C8< TUSEL 5D2< 2A4< 11A4< TXADDR0 7B5< 8D5 TXADDR1 7B4< 8C5 TXADDR2 7B4< 8C5 TXADDR3 7B5< 8C5 TXADDR4 7B4< 8C5 TXA_0 6C2< 8D4> TXA_1 6C7< 8C4> TXA_2_TXCLAV_1 6B2< 6C2< 8C4> TXA_3_TXCLAV_2 6C7< 6C7< 8C4> TXA_4_TXCLAV_3 6C2< 6C2< 8C4> TXCLAV0 7B5< 8B5 TXCLAV_0 6C7< 8B5 TXDATA_0 6C7< 7C5< 8B4> 8B5 TXDATA_1 6C2< 7C4< 8B4> 8B5 TXDATA_2 6C7< 7C5< 8A4> 8A5 TXDATA_3 6C2< 7C4< 8A4> 8A5 TXDATA_4 6C7< 7C4> 8A4> 8A5 TXDATA_5 6C2< 7C5< 8A4> 8A5 TXDATA_6 6C7< 7C4> 8D1> 8D2 TXDATA_7 6C2< 7C5< 8D1> 8D2 TXENA 6C2< 8C1> TXENABLE 7B4< 8C2 TXPRTY 6C5< TXSOC 6C7< 7B4> 8B1> 8B2 UOP0 2A6> 8B1> 11A5> UOP1 2A6> 8C1> 11A5> UOP2 2A6> 11A5> UOP3 2A6> 8D4> 11A5> UR_ADDR0 8D8 UR_ADDR1 8D8 UR_ADDR2 8D8 UR_ADDR3 8C8 UR_ADDR4 8C8 UR_CLAV 8C8 UR_CLK 9B2< 6A1< 7A8< 8A2< UR_DATA0 8B8 UR_DATA1 8B8 UR_DATA2 8B8 UR_DATA3 8B8 UR_DATA4 8A8 UR_DATA5 8A8 UR_DATA6 8A8 UR_DATA7 8A8 UR_ENB 8D5 UR_SOC 8D5 UT_ADDR0 8D5 UT_ADDR1 8C5 UT_ADDR2 8C5 UT_ADDR3 8C5 UT_ADDR4 8C5 UT_CLAV 8B4> UT_CLK 9B2> 6C1< 7B4< 8A2< UT_DATA0 8B5 UT_DATA1 8B5 UT_DATA2 8A5 UT_DATA3 8A5 UT_DATA4 8A5 UT_DATA5 8A5 UT_DATA6 8D2 UT_DATA7 8D2 UT_ENB 8C2 UT_SOC 8B2 WE_T 4B6< 5B1< 7B1< </pre>		<pre> WR_RW 5C4< 2A3< 11A3< XTALD 2A5> 11A4> </pre>									
C																
B																
A							<table border="1"> <tr> <td>TITLE:</td> <td>DS2156DK02A0</td> <td>DATE:</td> <td>10/04/02</td> </tr> <tr> <td>ENGINEER:</td> <td>SWS</td> <td>PAGE:</td> <td>12 / 13</td> </tr> </table>		TITLE:	DS2156DK02A0	DATE:	10/04/02	ENGINEER:	SWS	PAGE:	12 / 13
TITLE:	DS2156DK02A0	DATE:	10/04/02													
ENGINEER:	SWS	PAGE:	12 / 13													
	8	7	6	5	4	3	2	1								

*** Part Cross-Reference for the entire design ***

D

C

B

A

D

C

B

A

1 DS2156_TOFP 11D7
 C1 CAP 10B5
 C2 CAP 10B3
 C3 CAP 10B2
 C4 CAP 10B2
 C5 CAP 10B2
 C7 CAP 3D5
 C8 CAP 10B4
 C9 CAP 10B4
 C10 CAP 10B4
 C11 CAP 10B4
 C12 CAP 10B2
 C13 CAP 0A1
 C14 CAP 0A1
 C15 CAP 10B3
 C16 CAP 10B3
 C17 CAP 10B2
 C18 CAP 10B3
 C19 CAP 10B3
 C21 CAP 10B2
 C22 CAP 10B5
 C23 CAP 3A6
 C24 CAP 3C5
 C25 CAP 3B5
 C26 CAP 3A5
 C27 CAP 3D5
 C29 CAP 10B4
 C30 CAP 10B4
 C31 CAP 10B6
 C32 CAP 10B5
 C33 CAP 10B5
 C34 CAP 10B5
 C35 CAP 10B6
 C36 CAP 10B6
 DS1 LED 9B4
 DS2 LED 5A2
 DS3 LED 5A2
 DS4 LED 6D5
 DS5 LED 5A3
 DS6 LED 5A4
 DS7 LED 5A3
 DS8 LED 5A4
 DS9 LED 5A4
 DS10 LED 5A3
 DS11 LED 5A4
 DS12 LED 5A3
 DS13 LED 5A3
 DS14 LED 5A3
 DS15 LED 5A3
 DS16 LED 5B5
 DS17 LED 5B5
 DS18 LED 5A3
 F1 FUSE 3B4
 F2 FUSE 3B4
 F3 FUSE 3D4
 F4 FUSE 3C4
 F5 FUSE 3D4
 F6 FUSE 3A3
 J1 CONN_50P1 7D5
 J2 CONN_50P1 7D7
 J3 CONN_BANTAM_IPC 3B1
 J4 CONN_BANTAM_IPC 3C1
 J5 CONN_BNC_SPIN 3A3
 J6 CONN_BNC_SPIN 3D2
 J7 CONN_50P2 6D4
 J8 CONN_50P2 4D3
 J9 CONN_50P2 4D7
 JT10 CONN_10P 5C8
 L1 CHOKE_DUAL_T1 3B4 3C4
 R1 RES1 4B2
 R2 RES 3B7
 R3 RES 3B7
 R4 RES 6A2
 R5 RES 6C2
 R6 RES1 5A7

R7 RES 9B4
 R8 RES1 5A2
 R9 RES1 5A7
 R10 RES1 5A7
 R11 RES1 5A2
 R12 RES 6D5
 R13 RES1 5B6
 R14 RES1 7B4
 R15 RES1 5B6
 R16 RES1 5A7
 R17 RES1 5B6
 R18 RES1 5A6
 R19 RES1 5A6
 R21 RES1 7A8
 R22 RES1 5A7
 R23 RES1 5A7
 R24 RES1 5B8
 R25 RES1 5D7
 R26 RES1 5D8
 R27 RES1 5D8
 R28 RES1 5A7
 R29 RES1 5A6
 R30 RES 5A3
 R31 RES 5A3
 R32 RES1 5A6
 R33 RES1 0A1
 R34 RES1 0A1
 R35 RES 5A3
 R36 RES 5A3
 R37 RES1 5A6
 R38 RES 5A7
 R39 RES 5A3
 R40 RES 5A4
 R41 RES 5A3
 R42 RES 5A4
 R43 RES 5A3
 R44 RES1 5A7
 R45 RES 5A3
 R46 RES1 5B7
 R47 RES1 5A7
 R48 RES1 5A6
 R49 RES1 5A7
 R50 RES 5A3
 R51 RES 5B4
 R52 RES 5B4
 R53 RES 5A3
 R54 RES1 3B6
 R55 RES1 3B6
 R56 RES 3B5
 R57 RES 3B6
 R58 RES 3D7
 R59 RES 3C7
 R60 RES 3A5
 R61 RES1 5A7
 RJ1 RJ45_CON 3C3
 SK1 SWITCH_DPDT_SLIDE_6P 3A6
 T1 XFMR_2IN_4OUT_U 3B5 3D5
 TP1 TSTPNT_SNG 7B2
 TP2 TSTPNT_SNG 7B2
 TP3 TSTPNT_SNG 7B2
 TP4 TSTPNT_SNG 7C2
 TP5 TSTPNT_SNG 7C2
 TP6 TSTPNT_SNG 7B2
 TP7 TSTPNT_SNG 7B2
 TP8 TSTPNT_SNG 7B2
 TP9 TSTPNT_SNG 7B2
 TP10 TSTPNT_SNG 7B2
 TP11 TSTPNT_SNG 7B2
 TP12 TSTPNT_SNG 5D2
 TP13 TSTPNT_SNG 5D2
 TP14 TSTPNT_SNG 5A6
 TP15 TSTPNT_SNG 5A6
 TP16 TSTPNT_SNG 7B2
 TP17 TSTPNT_SNG 5D2
 TP18 TSTPNT_SNG 5A6
 TP20 TSTPNT_SNG 7B2
 TP21 TSTPNT_SNG 7B1

TP22 TSTPNT_SNG 7B1
 TP23 TSTPNT_SNG 10A7
 TP24 TSTPNT_SNG 10A8
 TP25 TSTPNT_SNG 10A7
 TP26 TSTPNT_SNG 10A7
 TP27 TSTPNT_SNG 10A7
 TP28 TSTPNT_SNG 10A7
 TP29 TSTPNT_SNG 10A7
 TP30 TSTPNT_SNG 10A7
 TP31 TSTPNT_SNG 10A4
 TP32 TSTPNT_SNG 10A4
 TP33 TSTPNT_SNG 10A5
 TP34 TSTPNT_SNG 10A5
 TP35 TSTPNT_SNG 10A5
 TP36 TSTPNT_SNG 10A5
 TP37 TSTPNT_SNG 10A5
 TP38 TSTPNT_SNG 10A5
 U1 IDT053R861_U 6B3
 U2 IDT053R861_U 6D3
 U3 IDT053R861_U 6B6
 U4 IDT053R861_U 6D6
 U5 XILINX_XC9572XL 5D4 5D7
 U6 IDT053R861_U 9B5
 U7 IDT053125_U 9D3
 U8 IDT053125_U 9D7
 U9 IDT053125_U 9B3
 U10 IDT053125_U 9B7
 U11 DS2156_TOFP 2D7
 Z1 SIDACTOR_2 3C4
 Z2 SIDACTOR_2 3D5
 Z3 SIDACTOR_2 3A5
 Z4 SIDACTOR_2 3B5
 Z5 SIDACTOR_2 3C6
 Z6 SIDACTOR_2 3A4
 Z7 SIDACTOR_2 3C4
 Z8 SIDACTOR_2 3A4
 Z9 SIDACTOR_2 3C4
 Z10 SIDACTOR_2 3B4

TITLE:	DS2156DK02A0	DATE:	10/04/02
ENGINEER:	SWS	PAGE:	13/13