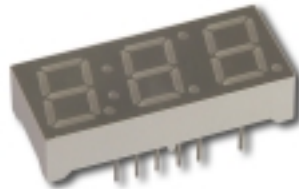


Agilent HDSP-431G, HDSP-433G, QDSP-499G 10 mm Three Digit Slim Font with 2-Colons Seven Segment Displays

Data Sheet



Description

The 10 mm (0.4 inch) Three Digit Slim Font with 2-Colons Seven Segment Displays incorporates a new slim font character design. This slim font features narrow width, specially mitered segments to give a fuller appearance to the illuminated character. Faces of these displays are painted a neutral gray for enhanced on/off contrast.

All devices are available in either common anode or common cathode configuration with tinted green segments.

Features

- **Excellent appearance**
- **Slim font design**
- **Mitered corners, evenly illuminated segments**
- **Gray face for optimum on/off contrast**
- **Choice of colors: green**
- **Choice of character size: 10 mm (0.4 inch)**
- **Characterized for luminous intensity**

Devices

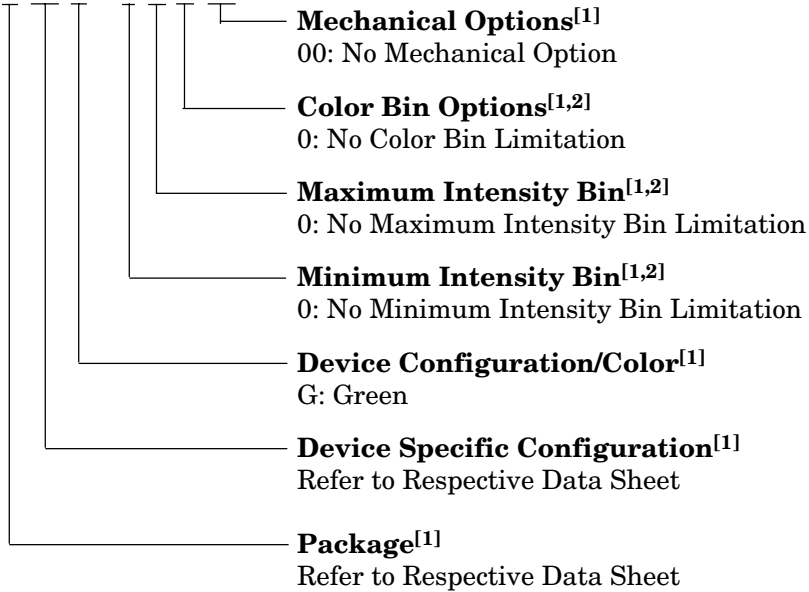
Green	Description
HDSP-431G	3 Digit, Common Anode, Untinted-Diffused, 0.4" Display
HDSP-433G	3 Digit, Common Cathode, Untinted-Diffused, 0.4" Display
QDSP-499G	3 Digit, Common Anode, Untinted-Diffused, 0.4" Display, without Pin 6 and No DP.



Part Numbering System

5082 - x xx x - x x x xx

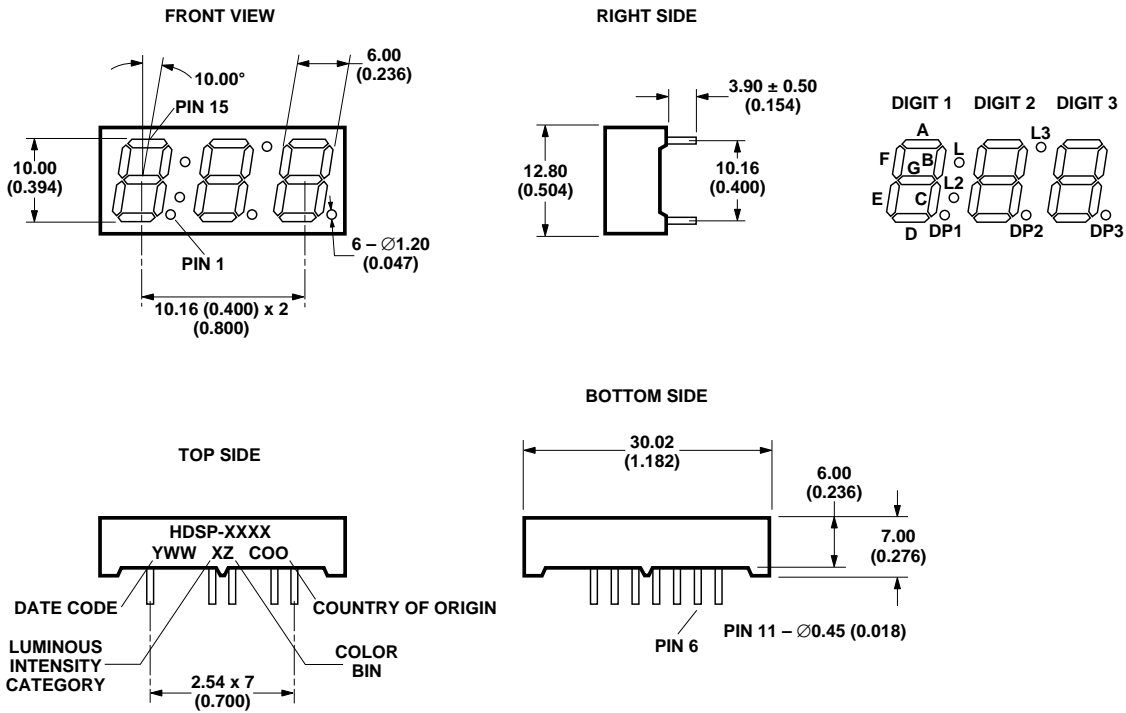
HDSP - x xx x - x x x xx



Notes:

1. For codes not listed in the figure above, please refer to the respective data sheet or contact your nearest Agilent representative for details.
2. Bin options refer to shippable bins for a part-number. Color and Intensity Binns are typically restricted to 1 bin per tube (exceptions may apply). Please refer to respective data sheet for specific bin limit information.

Package Dimensions (HDSP-431G/HDSP-433G/QDSP-499G)



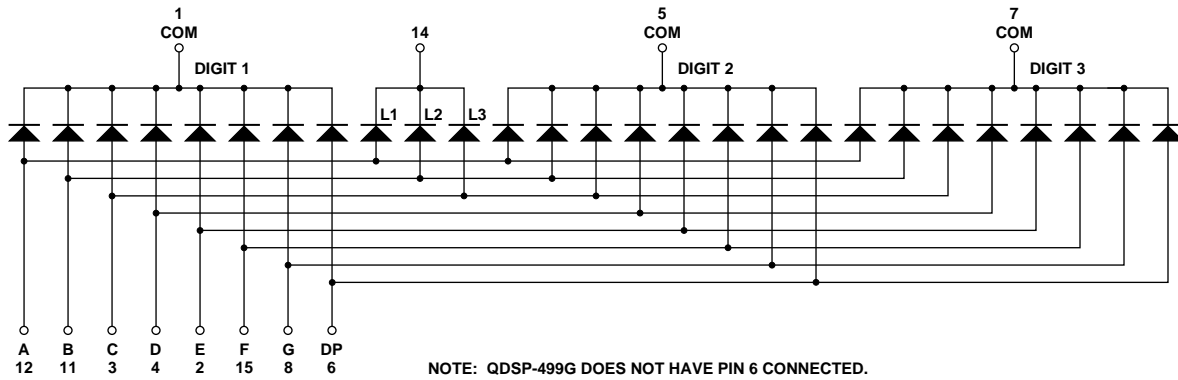
NOTE: QDSP-499G DOES NOT HAVE PIN 6 AND THEREFORE DP1, DP2, AND DP3 ARE NOT DISPLAYED.

NOTES:

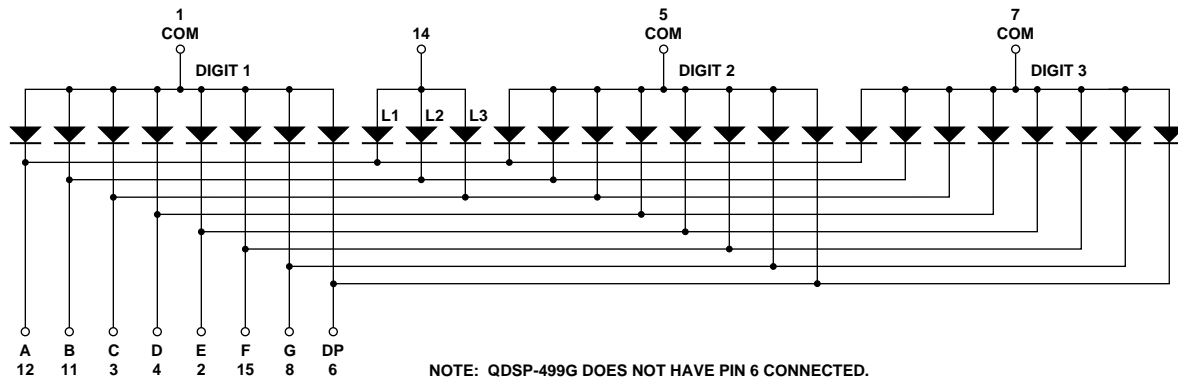
1. ALL DIMENSIONS ARE IN MILLIMETERS (INCHES).
2. UNLESS OTHERWISE STATED, TOLERANCES ARE ± 0.25 mm.

PIN	FUNCTION
1	DIGIT 1 COMMON A/C
2	E
3	C
4	D
5	DIGIT 2 COMMON A/C
6	DP
7	DIGIT 3 COMMON A/C
8	G
9	NO PIN
10	NO PIN
11	B
12	A
13	NO PIN
14	L1, L2, & L3 COMMON A/C
15	F

Internal Circuit Diagram (Common Cathode)



Internal Circuit Diagram (Common Anode)



Absolute Maximum Ratings at $T_A = 25^\circ\text{C}$

Description	Green	Units
Average Power per Segment or DP	65	mW
Peak Forward Current per Segment or DP	100	mA
DC Forward Current per Segment or DP	25	mA
Operating Temperature Range	-40 to +105	$^\circ\text{C}$
Storage Temperature Range	-40 to +105	$^\circ\text{C}$
Reverse Voltage per Segment or DP	3	V
Wave Soldering Temperature for 3 Seconds 1.59 mm below Body	250	$^\circ\text{C}$

Note:

1. Derate above 40°C at $0.33\text{ mA}/^\circ\text{C}$ for Green.

Electrical/Optical Characteristics at $T_A = 25^\circ\text{C}$

Device Series	Parameter	Symbol	Min.	Typ.	Max.	Units	Test Conditions
HDSP-431G/ HDSP-433G/ QDSP-499G	Luminous Intensity/ Segment (Digit Average)	I_V	3.200	5.000		mcd	$I_F = 10\text{ mA}$
	Forward Voltage/ Segment or DP	V_F		2.25	2.50	V	$I_F = 20\text{ mA}$
	Peak Wavelength	λ_{PEAK}		568		nm	$I_F = 20\text{ mA}$
	Dominant Wavelength	λ_d		573		nm	$I_F = 20\text{ mA}$
	Reverse Current	I_R			100	μA	$V_R = 5\text{ V}$

Notes:

1. Typical specification for reference only. Do not exceed absolute maximum ratings.
2. The dominant wavelength, λ , is derived from the CIE chromaticity diagram and is that single wavelength which defines the color of the device.

Intensity Bin Limits (mcd)

Green

HDSP-301G/303G/561G/563G		
IV Bin Category	Min.	Max.
K	1.800	3.600
L	2.800	5.600
M	4.500	9.000

Color Categories

Color	Bin	Dominant Wavelength (nm)	
		Min.	Max.
Green	3	570.00	574.50
	4	567.00	571.00

Note:

- All categories are established for classification of products. Products may not be available in all categories. Please contact your Agilent representatives for further clarification/information.

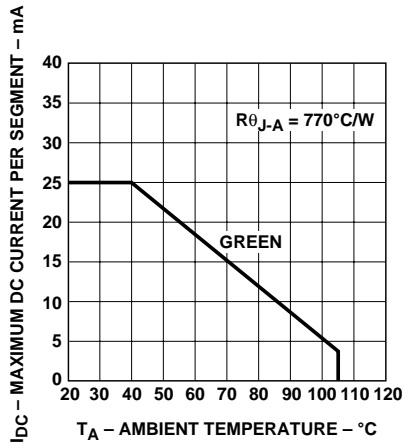


Figure 1. Maximum allowable DC current vs. ambient temperature.

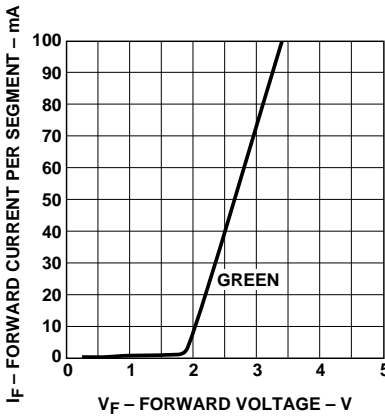


Figure 2. Forward current vs. forward voltage.

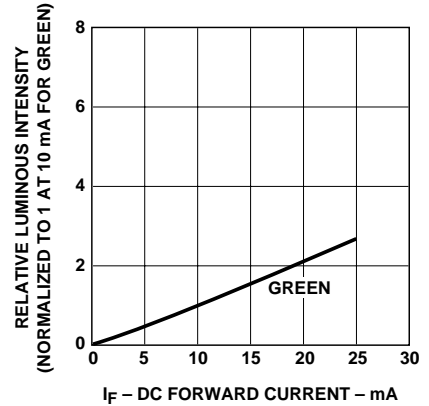


Figure 3. Relative luminous intensity vs. DC forward current.

Contrast Enhancement

For information on contrast enhancement, please see Application Note 1015.

Soldering/Cleaning

Cleaning agents from the ketone family (acetone, methyl ethyl ketone, etc.) and from the chlorinated hydrocarbon family (methylene chloride, trichloroethylene, carbon tetrachloride, etc.) are not recommended for cleaning LED parts. All of these various solvents attack or dissolve the encapsulating epoxies used to form the package of plastic LED parts.

For information on soldering LEDs, please refer to Application Note 1027.

www.agilent.com/semiconductors

For product information and a complete list of distributors, please go to our web site.

For technical assistance call:

Americas/Canada: +1 (800) 235-0312 or
(916) 788-6763

Europe: +49 (0) 6441 92460

China: 10800 650 0017

Hong Kong: (+65) 6756 2394

India, Australia, New Zealand: (+65) 6755 1939

Japan: (+81 3) 3335-8152 (Domestic/International), or 0120-61-1280 (Domestic Only)

Korea: (+65) 6755 1989

Singapore, Malaysia, Vietnam, Thailand,
Philippines, Indonesia: (+65) 6755 2044

Taiwan: (+65) 6755 1843

Data subject to change.

Copyright © 2004 Agilent Technologies, Inc.

July 17, 2004

5988-4824EN



Agilent Technologies