

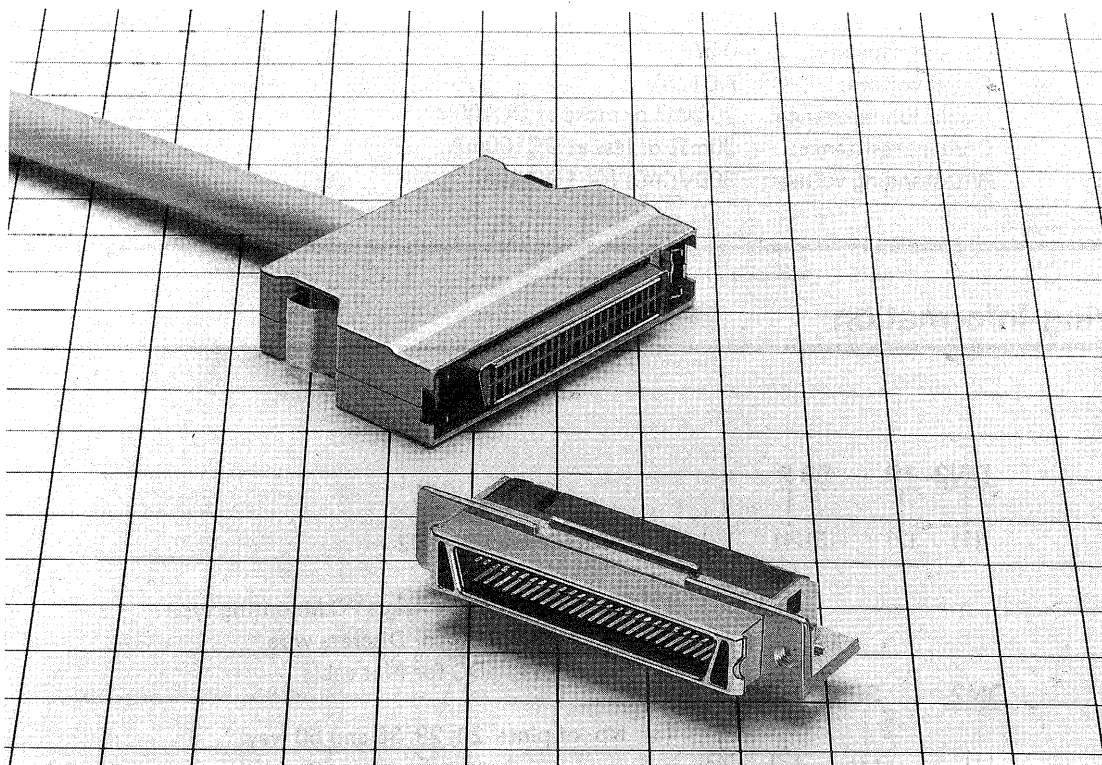
HIGH DENSITY MINIATURE CONNECTORS

DN2(1.27MM PITCH) CONNECTORS

Scope

Designed to meet the needs of high density and miniature interconnection the DN2 series are Super-Small IDC Connectors. This new IDC Plug uses I/O Cable (AWG#30) with

contact spacing 1.27 mm. This new DN2 connectors ensure RFI/EMI shielding protection. Available in 20, 28, 36 and 50 way.



Features

- (1) 1.27 mm grid contact position enables high density designs.
- (2) Applicable cable is AWG#30 (7/0.1).
- (3) IDC Termination either for 1.27 mm spacing flat cable or for discrete wire can be selected by making an exchange of the protector.
- (4) Zinc Alloy die-cast shell and Metallic shell reduce the penetration of external EM noise.
- (5) One touch lock mechanism assures easy and quick connection.

Applications

Lap-Top Computers, peripheral and any other commercial applications needing ultra high density interconnects.

Material and Finish

Plug shell: Zinc alloy die-cast Silver finish
 Receptacle shell: Zinc alloy die-cast Nickel plating
 Insulator: PBT Black, UL94V-0
 Pin Contact: Brass Selective gold plating
 Socket Contact: Phospher Bronze Selective gold plating

Specifications

Current capacity: 0.5A
 Rated voltage: AC125V
 Insulation resistance: 250M Ω or more at DC100V
 Contact resistance: 20m Ω or less at DC100mA
 Withstanding voltage: 300Vr.m.s for 1 minute

Ordering Information

DN2 10 - 50 P
 (1) (2) (3)(4)

(1) Series Number: DN2

(2) Type 10: Right Angle PC Mounting type
 30: IDC for Discrete wire
 31: IDC for Flat cable

DN2 - 30 - 50 S
 (1) (2) (3) (4)

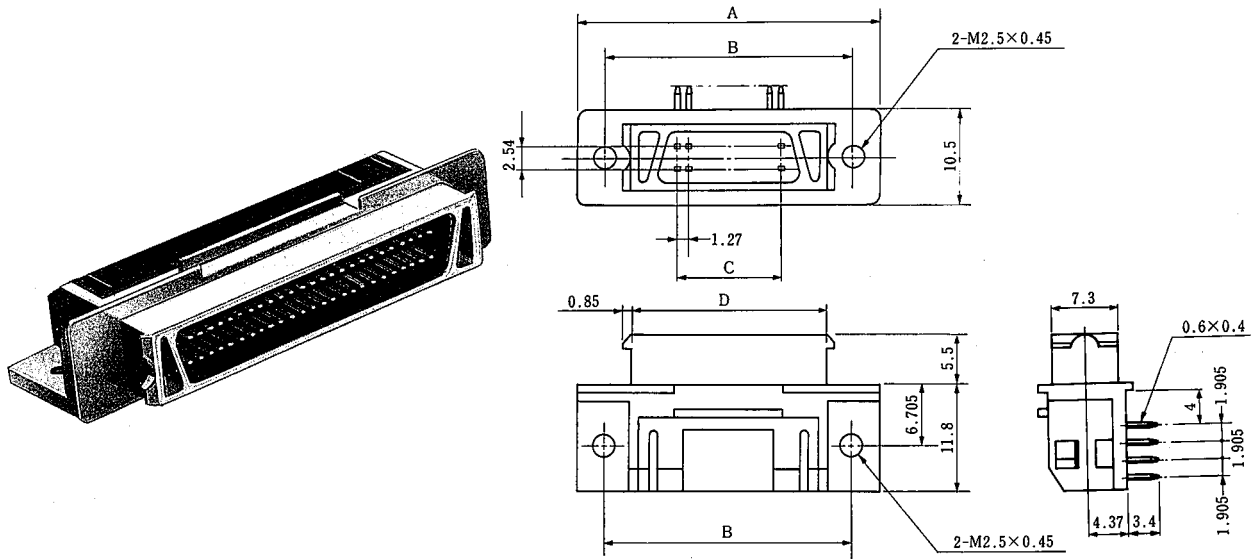
(3) No. of pins: 20, 28, 36 and 50 way

(4) P: Plug
 S: Socket

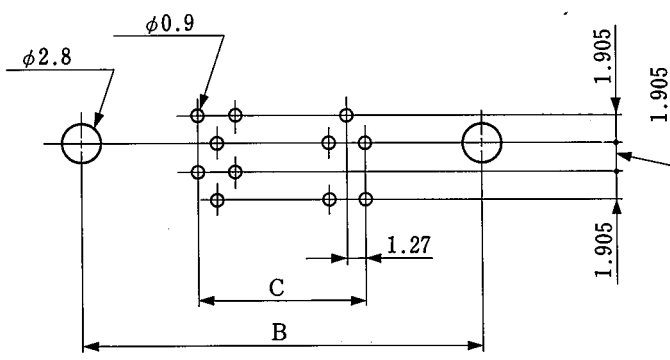
DN2 - 50 - CV
 (1) (3) (5)

(5) Shell
 CV: Straight Cable Exit Shell

Right Angle P.C.Mount Pin Connector



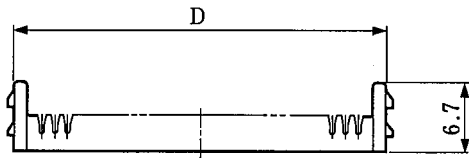
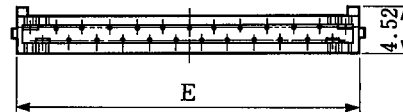
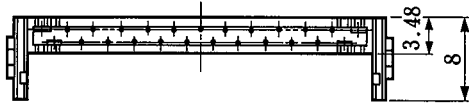
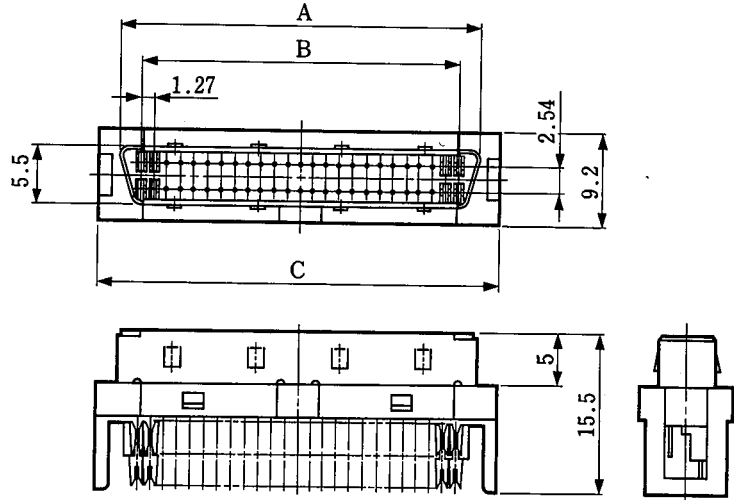
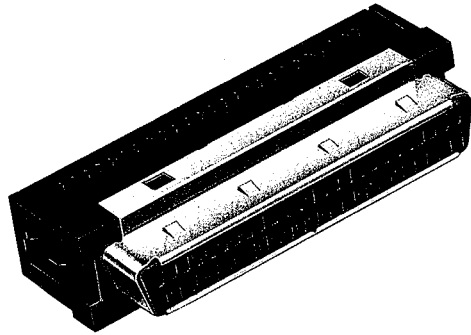
Backboard pattern



mm

No. of pin	Part No.	A	B	C	D
20	DN210-20P	33.4	27.4	11.43	21.6
28	DN210-28P	38.48	32.48	16.51	26.68
36	DN210-36P	43.56	37.56	21.59	31.76
50	DN210-50P	52.45	46.45	30.48	40.65

IDC Socket Connector (for Discrete Wire)

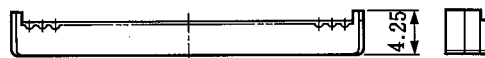
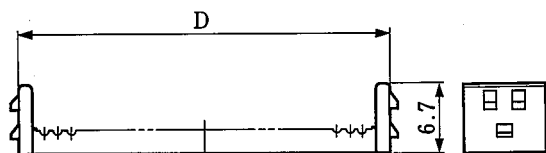
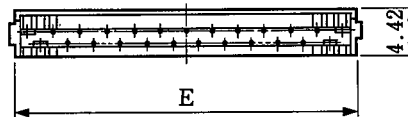
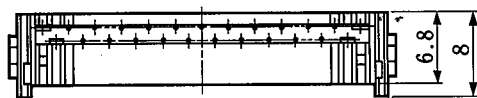
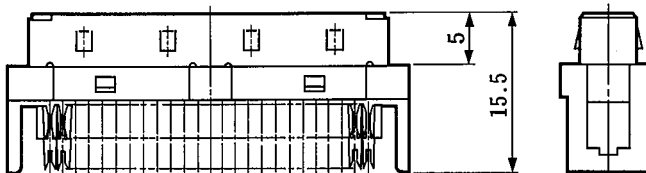
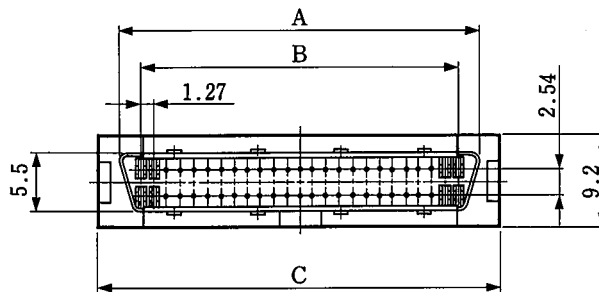
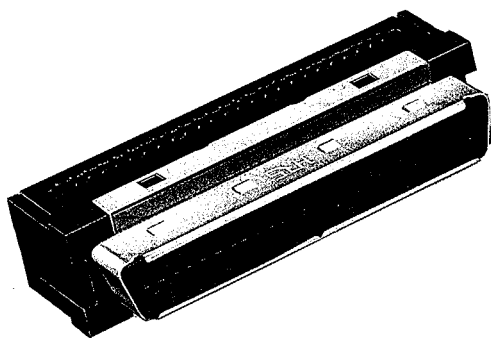


Protector 1

Protector 2

(mm)							
HRS No.	No. of Pin	Part No.	A	B	C	D	E
CL225-0110-1	20	DN230-20S	15.6	11.43	19.18	16.68	14.13
CL225-0164-0		DN230A-20S					
CL225-0111-4	28	DN230-28S	20.68	16.51	24.25	21.76	19.21
CL225-0124-6		DN230A-28S					
CL225-0112-7	36	DN230-36S	25.76	21.59	29.34	26.84	24.29
CL225-0122-0		DN230A-36S					
CL225-0113-0	50	DN230-50S	24.65	30.48	38.23	35.73	33.18
CL225-0123-3		DN230A-50S					

IDC Socket Connector (for Flat Cable)



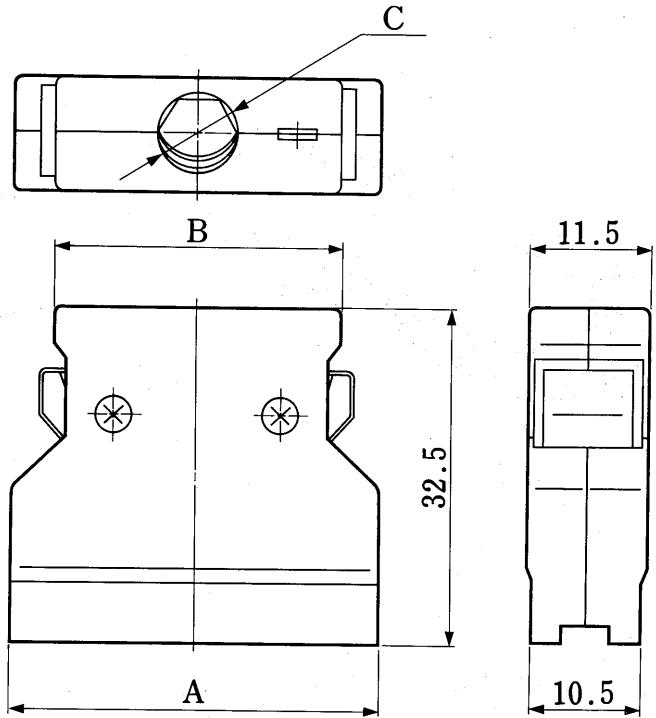
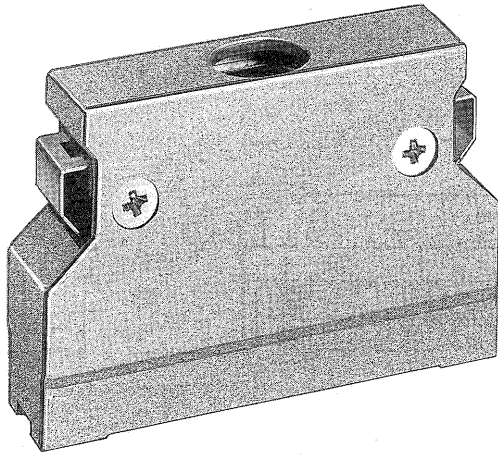
Protector 1

Protector 2

(mm)

HRS No.	No. of Pin	Part No.	A	B	C	D	E
CL225-0114-2	20	DN231-20S	15.6	11.43	19.18	16.68	14.13
CL225-0115-5	28	DN231-28S	20.68	16.51	24.26	21.76	19.21
CL225-0145-6		DN231A-28S					
CL225-0116-8	36	DN231-36S	25.76	21.59	29.34	26.84	24.29
CL225-0146-9		DN231A-36S					
CL225-0117-0	50	DN231-50S	34.68	30.48	38.23	35.73	33.18
CL225-0147-1		DN231A-50S					

Straight Cable Exit Shell



No. of pin	Part No.	A	B	C
20	DN2-20-CV	30	22.3	$\phi 6.7$
28	DN2-28-CV	35.08	27.38	$\phi 7.5$
36	DN2-36-CV	40.16	32.46	$\phi 8.7$
50	DN2-50-CV	49.05	41.35	8.5x10

mm