

Low Voltage Hall-Effect Smart Fan Motor Controller

■ Features

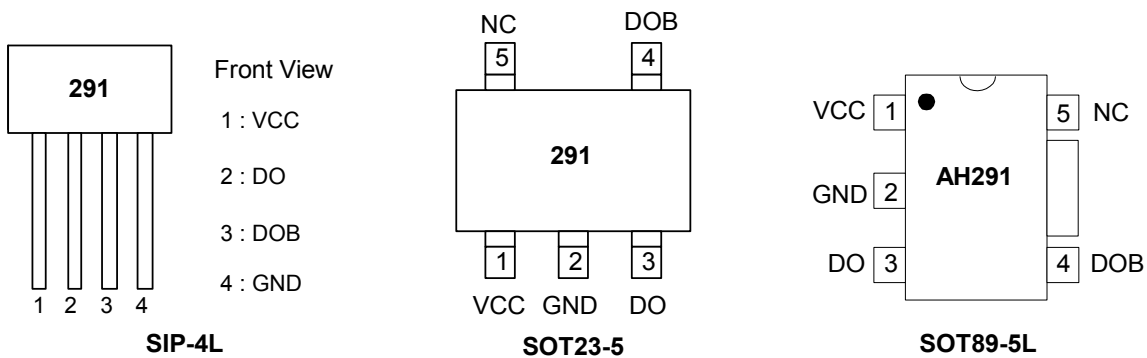
- On chip Hall sensor
- Rotor-locked shutdown
- Automatically restart
- Built-in Zener protection for output driver
- Operating voltage: 1.8V~5.75 V
- Output current: $I_{O(AVE)} = 400 \text{ mA}$
- Package: SIP-4L, SOT23-5L, SOT89-5L

■ General Description

AH291 is a monolithic fan motor controller with Hall sensor's capability. It contains two complementary open-collector drivers for motor's coil driving, automatic lock shutdown and restart function relatively.

To avoid coil burning, rotor-lock shutdown detection circuit shut down the output driver if the rotor is blocked and then the automatic recovery circuit will try to restart the motor. These protecting actions are repeated and periodic during the blocked period. Until the blocking is removed, the motor recovers running normally.

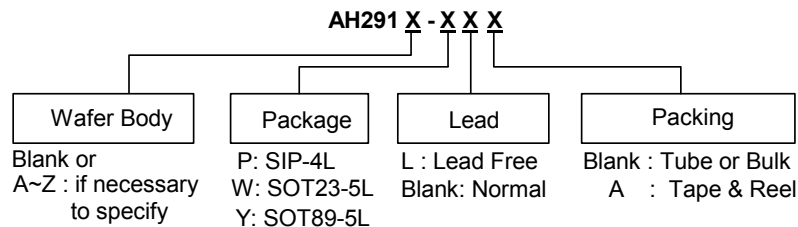
■ Pin Assignment



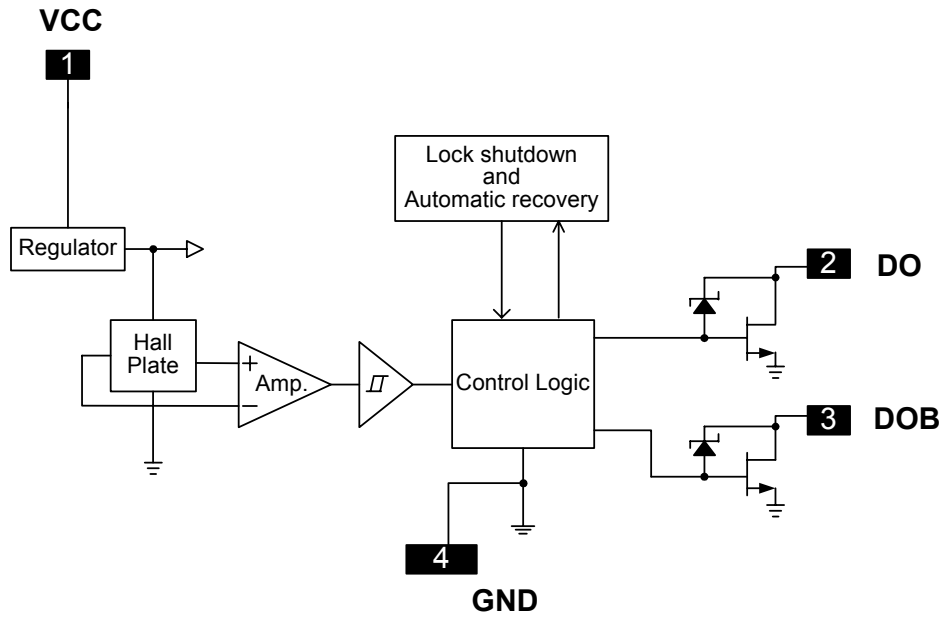
■ Pin Descriptions

Name	Description
VCC	Input power
DO	Output pin
DOB	Output pin
GND	Ground
NC	Not connected

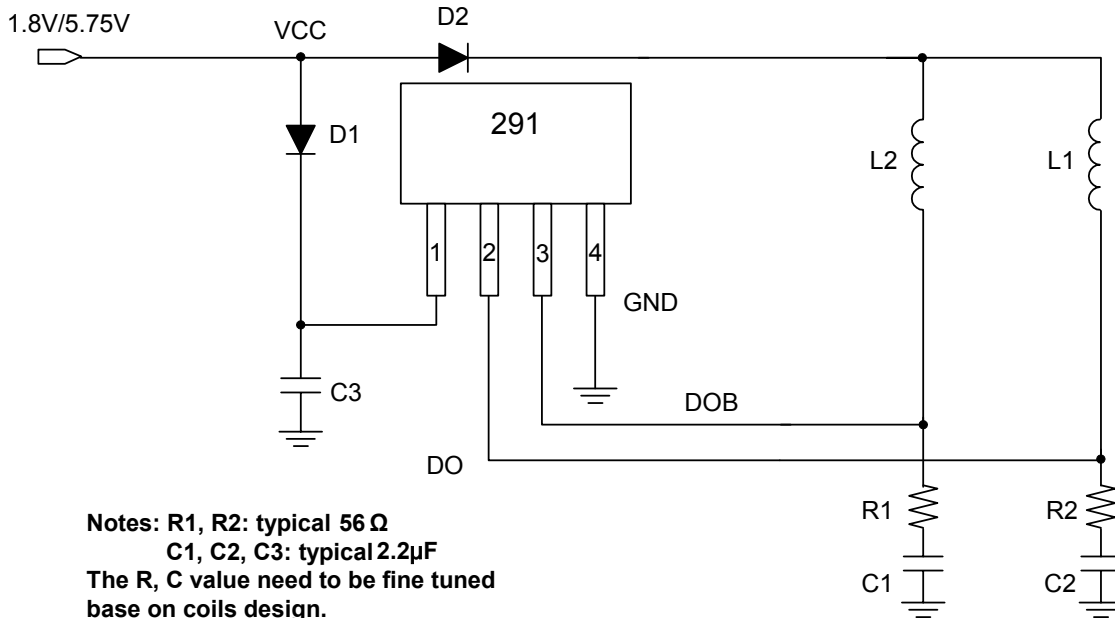
■ Ordering Information



■ Block Diagram (SIP4)



■ Typical Application Circuit



1.8V/5.75V brush-less DC fan

Low Voltage Hall-Effect Smart Fan Motor Controller

■ Absolute Maximum Ratings (Ta = 25°C)

Characteristics	Symbol	Rating	Unit	
Output Zener-breakdown Voltage	Vz	38	V	
Operating Supply Voltage	V _{CC}	8	V	
Output Current	I _{O(AVE)}	400	mA	
	I _{O(PEAK)}	700		
Power Dissipation	P _D	SIP4	550	mW
		SOT23-5	230	
		SOT89-5	800	
Operating Temperature	Topr	-20 ~ 100	°C	
Storage Temperature	Tstg	-55 ~ 150	°C	
Maximum Junction Temp.	Tj	150	°C	

■ Electrical Characteristics (Ta = 25 °C, V_{CC} = 5V, unless otherwise specified)

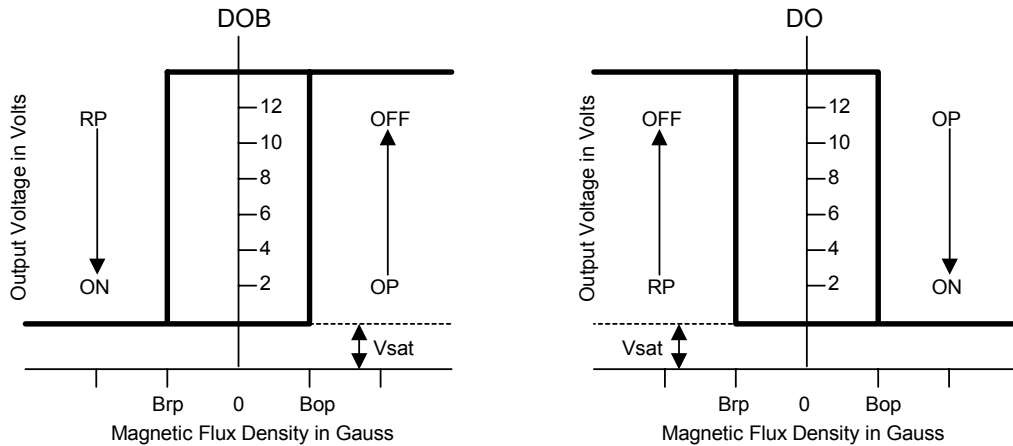
Characteristics	Symbol	Conditions	Min.	Typ.	Max.	Unit
Supply Voltage	V _{CC}	Operating	1.8	-	5.75	V
Supply current	I _{CC}	Operating	-	2.6	4.0	mA
Lock Protection On	Tl _{rp-on}		-	0.4	-	Sec
Lock Protection Off	Tl _{rp-off}		2.4	3	3.6	Sec
Output saturation voltage	V _{OUT(sat)}	I _O =180mA	-	300	-	mV
		I _O =350mA	-	600	-	
Output On resistance	R _{ds(on)}		-	1.75	-	ohm

■ Magnetic Characteristics (Ta = 25 °C, V_{CC} = 5V, unless otherwise specified)

(1mT=10 Gauss)

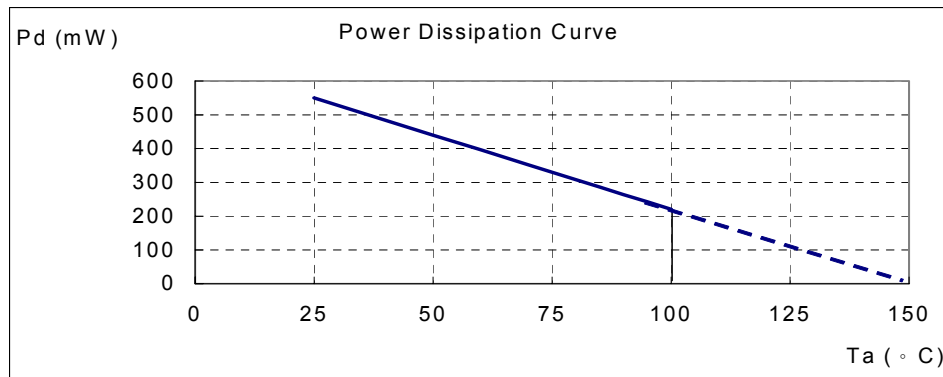
Characteristics	Symbol	Min.	Typ.	Max.	Unit
Operate Point	Bop	--	30	60	Gauss
Release Point	Brp	-60	-30	--	Gauss
Hysteresis	Bhy	--	60	--	Gauss

■ Operating Characteristics



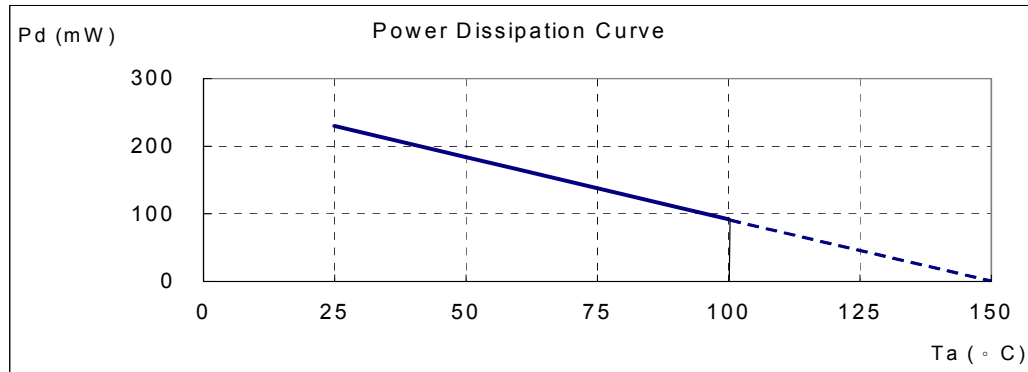
■ Performance Characteristics (SIP4)

Ta (°C)	25	50	60	70	80	85	90	95	100
Pd (mW)	550	440	396	352	308	286	264	242	220
Ta (°C)	105	110	115	120	125	130	135	140	150
Pd (mW)	198	176	154	132	110	88	66	44	0



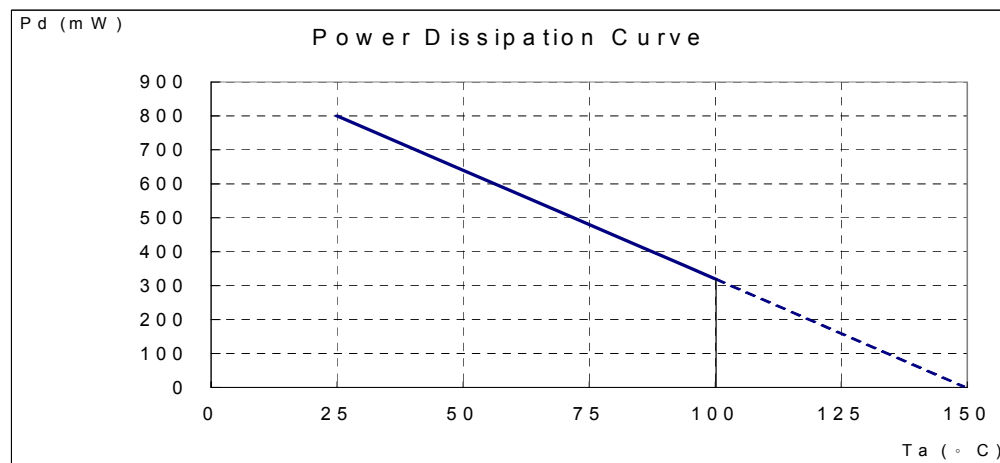
■ Performance Characteristics (SOT23-5)

Ta (°C)	25	50	60	70	80	90	100	110	120	130	140	150
Pd (mW)	230	184	166	147	129	110	92	74	55	37	18	0



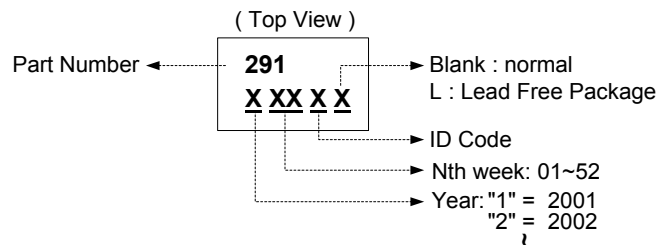
■ Performance Characteristics (SOT89-5)

Ta (°C)	25	50	60	70	75	80	85	90	95	100
Pd (mW)	800	640	576	512	480	448	416	384	352	320
Ta (°C)	105	110	115	120	125	130	135	140	145	150
Pd (mW)	288	256	224	192	160	128	96	64	32	0

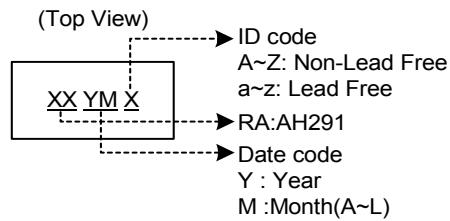


■ Marking Information

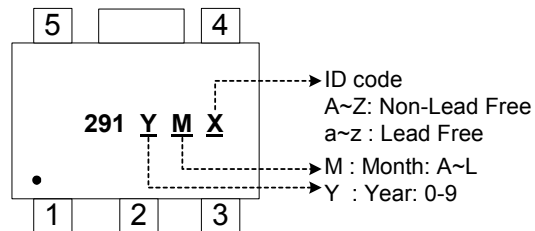
(1) SIP-4L



(2)SOT23-5L



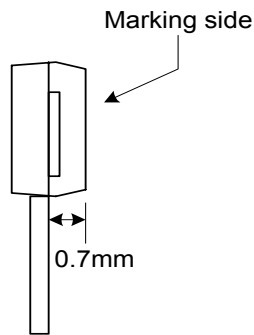
(3)SOT89-5L



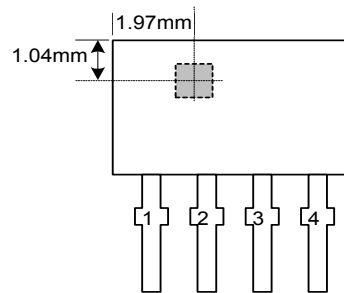
■ Package Information

(1)SIP-4L

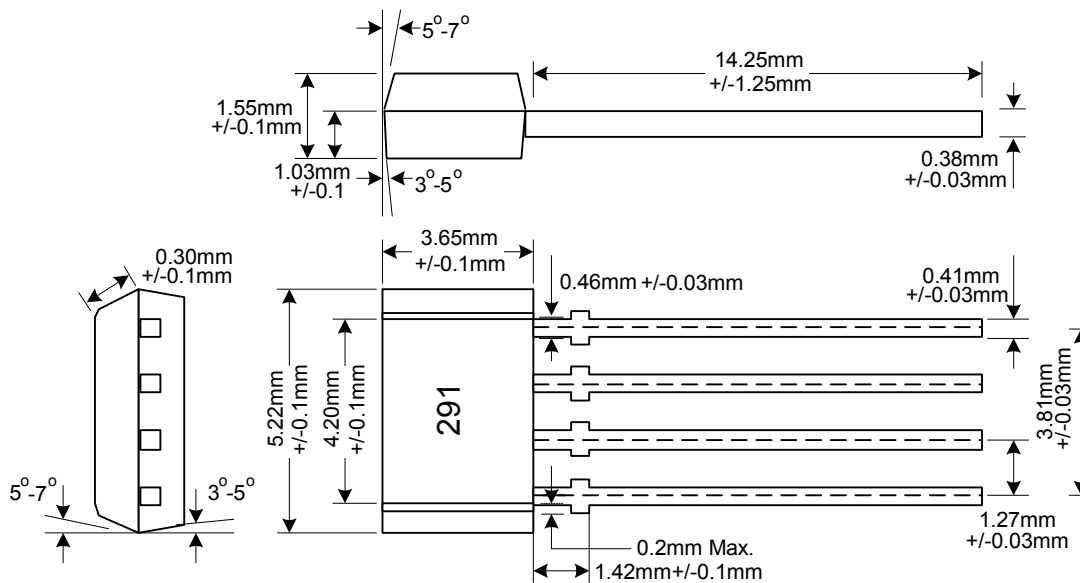
Active Area Depth



Package Sensor Location

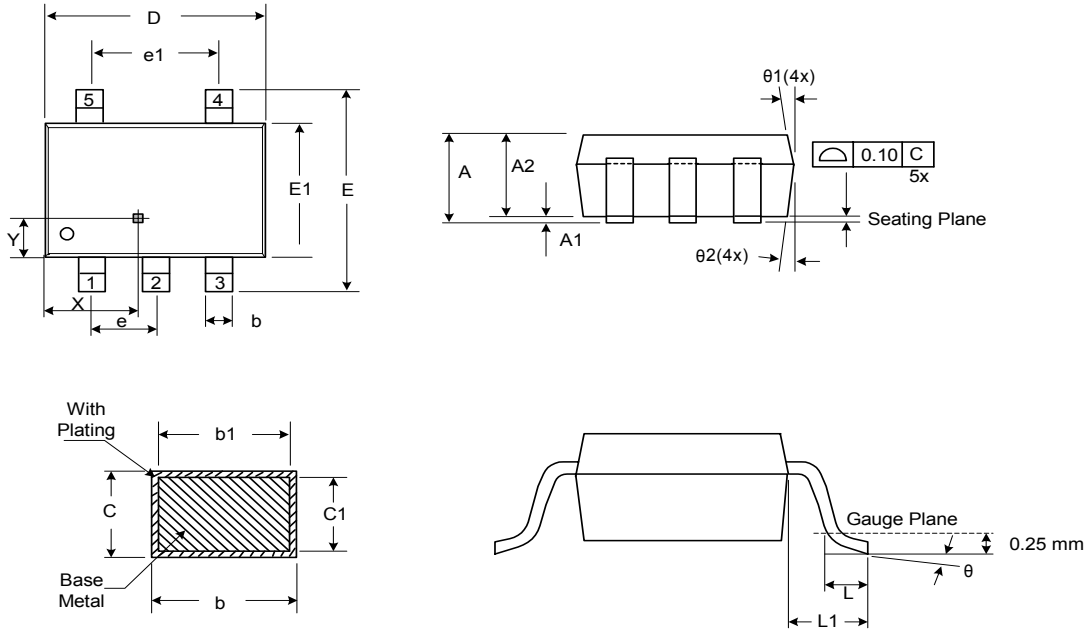


Package Dimension



Low Voltage Hall-Effect Smart Fan Motor Controller

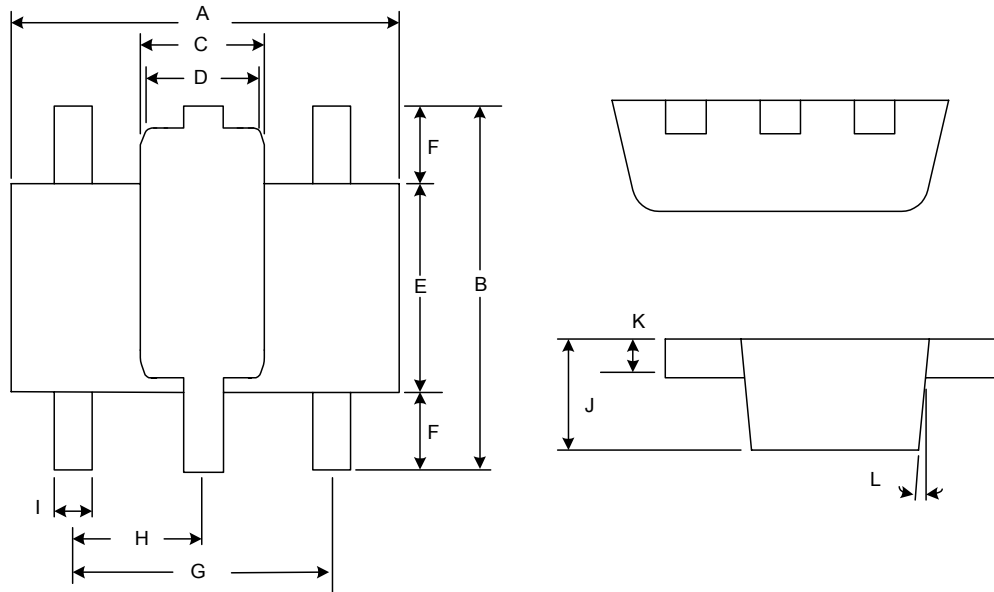
(2)SOT23-5L



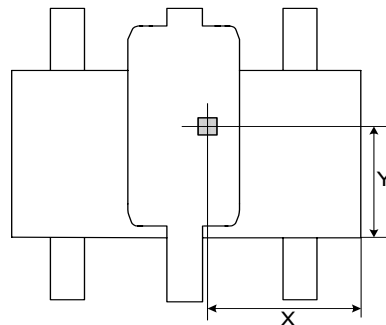
Symbol	Dimensions In Millimeters			Dimensions In Inches		
	Min.	Nom.	Max.	Min.	Nom.	Max.
A	1.05	1.20	1.35	0.041	0.047	0.053
A1	0.05	0.10	0.15	0.002	0.004	0.006
A2	1.00	1.10	1.20	0.039	0.043	0.047
b	0.25	-	0.55	0.010	-	0.022
b1	0.25	0.40	0.45	0.010	0.016	0.018
c	0.08	-	0.20	0.003	-	0.008
c1	0.08	0.11	0.15	0.003	0.004	0.006
D	2.70	2.85	3.00	0.106	0.112	0.118
E	2.60	2.80	3.00	0.102	0.110	0.118
E1	1.50	1.60	1.70	0.059	0.063	0.067
L	0.35	0.45	0.55	0.014	0.018	0.022
L1	0.60 Ref.			0.024 Ref.		
e	0.95 Bsc.			0.037 Bsc.		
e1	1.90 Bsc.			0.075 Bsc.		
θ	0°	5°	10°	0°	5°	10°
$\theta 1$	3°	5°	7°	3°	5°	7°
$\theta 2$	6°	8°	10°	6°	8°	10°
X	-	1.067	-	-	0.042	-
Y	-	0.432	-	-	0.017	-

Low Voltage Hall-Effect Smart Fan Motor Controller

(3)SOT89-5L



Package Sensor Location



Symbol	Dimensions In Millimeters			Dimensions In Inches		
	Min.	Nom.	Max.	Min.	Nom.	Max.
A	4.40	4.50	4.60	0.173	0.177	0.181
B	4.05	4.15	4.25	0.159	0.163	0.167
C	1.50	1.60	1.70	0.059	0.063	0.067
D	1.30	1.40	1.50	0.051	0.055	0.059
E	2.40	2.50	2.60	0.094	0.098	0.102
F	0.80	-	-	0.031	-	-
G	3.00 Ref.			0.118 Ref.		
H	1.50 Ref.			0.059 Ref.		
I	0.40	0.46	0.52	0.016	0.018	0.020
J	1.40	1.50	1.60	0.055	0.059	0.063
K	0.35	0.39	0.43	0.014	0.015	0.017
L	5° Typ.			5° Typ.		
X	-	1.90	-	-	0.075	-
Y	-	1.65	-	-	0.065	-