

ECL PAL® Devices

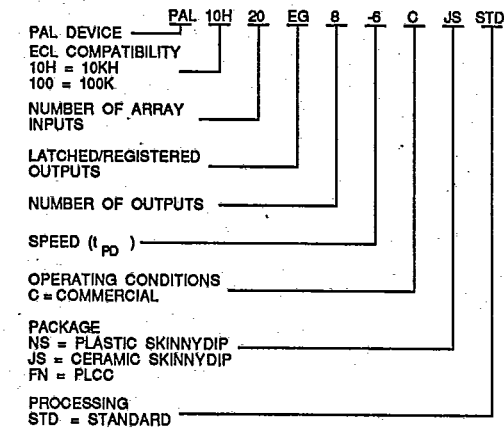
**PAL10H20EV/EG8
PAL10020EV/EG8**

ADVANCE INFORMATION

Features/Benefits

- 20 logic inputs: 12 external, 8 feedback
- 8 outputs programmable as registered, latched, or combinatorial
- ECL technology provides 6 ns propagation delay
- 64 product terms
- 10KH and 100K compatible versions
- Space saving 24-pin SKINNYDIP® package
- Programmable using standard TTL programmers with adapter
- Security fuse prevents unauthorized copying

Ordering Information



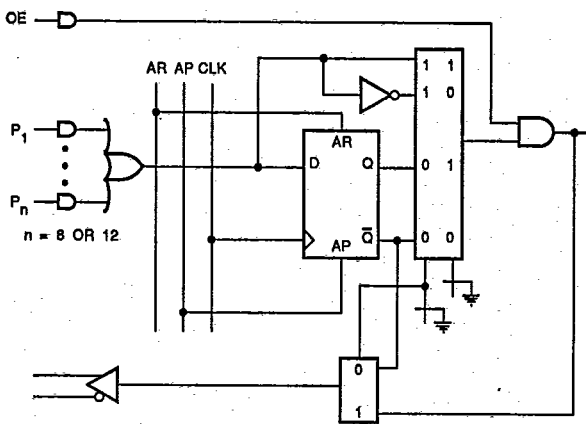
630 01

Description

The PAL10H/10020EV/EG8 is a high density universal ECL PAL device. Outputs can be specified as registered or combinatorial for the 20EV8, and latched or combinatorial for the 20EG8, on an individual basis. In addition, varied product term distribution allows up to twelve product terms per output. These features allow complex designs at the high speed of ECL technology.

Other features include asynchronous preset and reset, and individual output enables. Programmable polarity allows either active-HIGH or active-LOW outputs.

Macrocell



630 02

PAL10H/10020EV8 Macrocell

5

ADV MICRO PLA/PLE/ARRAYS 96 DE 0257526 0027439 2