

# AN7205/S

## FM Front-end Circuit for Radios and Radio / Cassette Tape Recorders (3V Operation)

### ■ Description

The AN7205/S are the monolithic integrated circuit designed for FM front-end IC suitable for radios and radio cassette tape recorders at 3V operation. Together with IC for FM - AM IF (AN7227) and IC for MPX (AN7420N), a high sensitivity series can be obtained.

### ■ Features

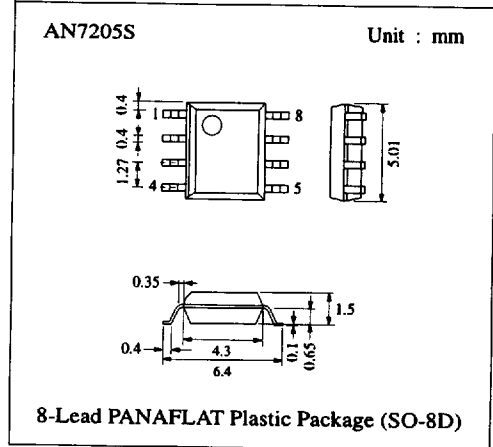
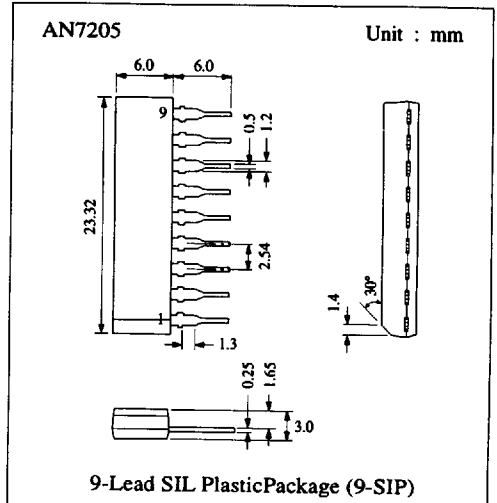
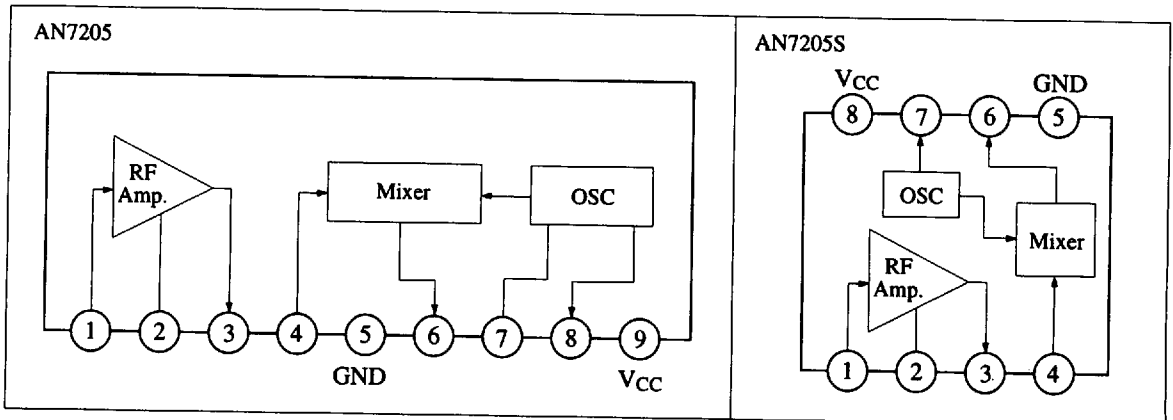
- Good intermodulation characteristics
- Frequency drift of local oscillator is small against supply voltage fluctuation and strong input signals
- Good AM rejection characteristics
- High sensitivity
- Built-in clamping diode for the mixer output

### ■ Pin

| Pin No. | Pin Name             |
|---------|----------------------|
| 1 (1)   | RF Input             |
| 2 (2)   | RF By-pass Capacitor |
| 3 (3)   | RF Output            |
| 4 (4)   | Mixer Input          |
| 5 (5)   | GND                  |
| 6 (6)   | Mixer Output         |
| 7 (7)   | Oscillator           |
| 8       | Oscillator Tank      |
| 9 (8)   | Vcc                  |

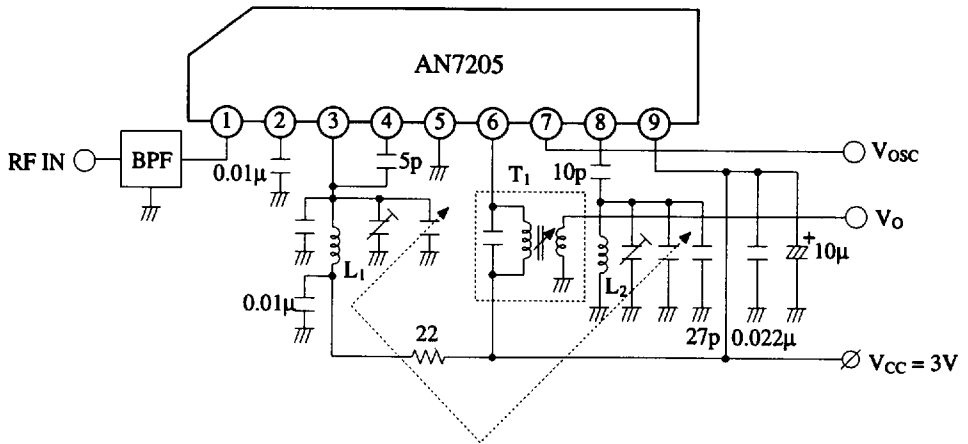
Note) The pin number in ( ) are for AN7205S.

### ■ Block Diagram





■ Application Circuit



■ Characteristics Curve

