

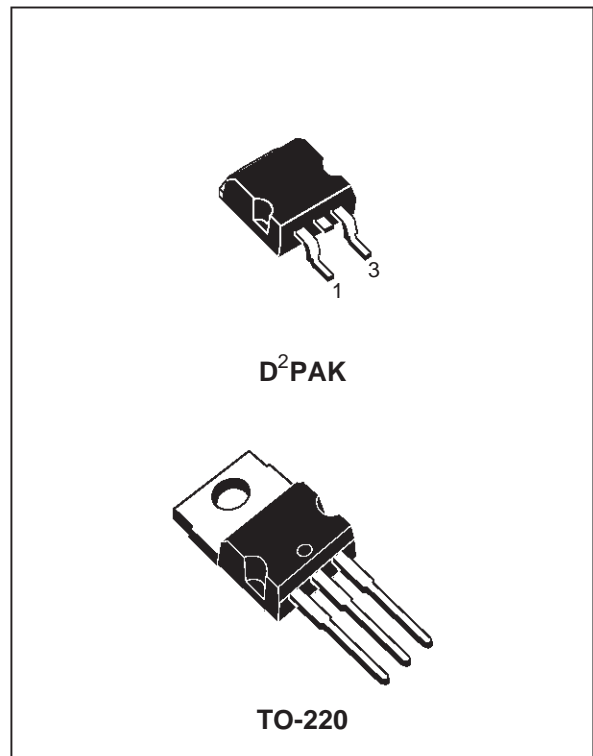


## 2% NEGATIVE VOLTAGE REGULATORS

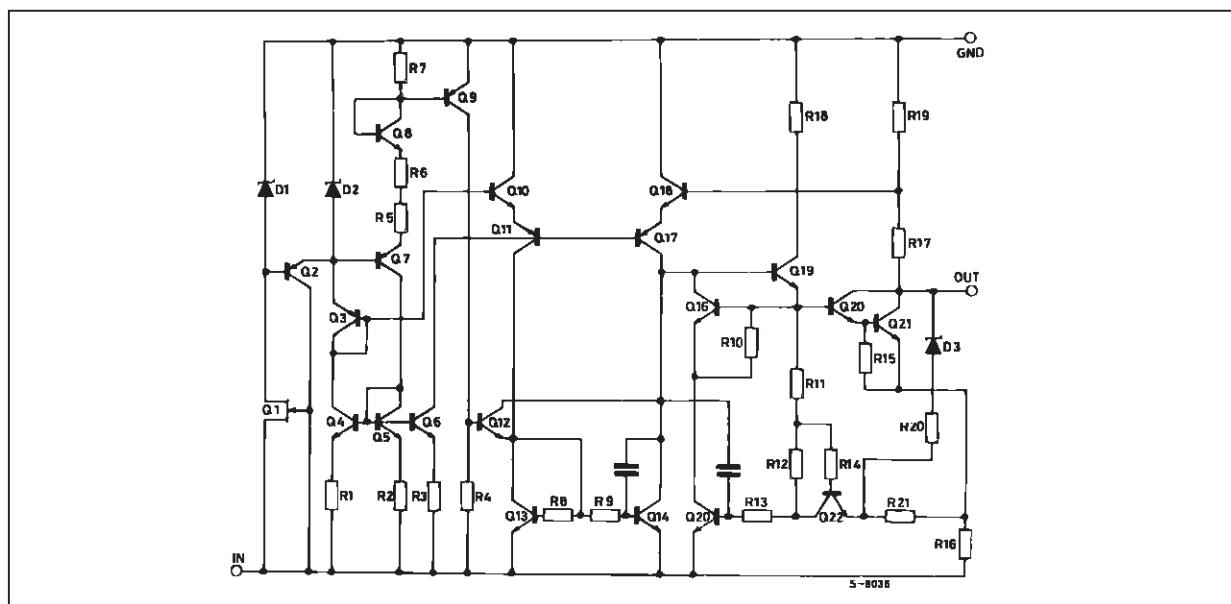
- OUTPUT CURRENT UP TO 1.5 A
- OUTPUT VOLTAGES OF -5; -5.2; -6; -8; -12; -15; -18; -20; -22; -24V
- THERMAL OVERLOAD PROTECTION
- SHORT CIRCUIT PROTECTION
- OUTPUT TRANSITION SOA PROTECTION

### DESCRIPTION

The L7900AC series of three-terminal negative regulators is available in TO-220 and D<sup>2</sup>PAK packages and several fixed output voltages. These regulators can provide local on-card regulation, eliminating the distribution problems associated with single point regulation; furthermore, having the same voltage option as the L7800A positive standard series, they are particularly suited for split power supplies. In addition, the -5.2V is also available for ECL system. If adequate heat sinking is provided, they can deliver over 1.5A output current. Although designed primarily as fixed voltage regulators, these devices can be used with external components to obtain adjustable voltages and currents.



### SCHEMATIC DIAGRAM



# L7900AC

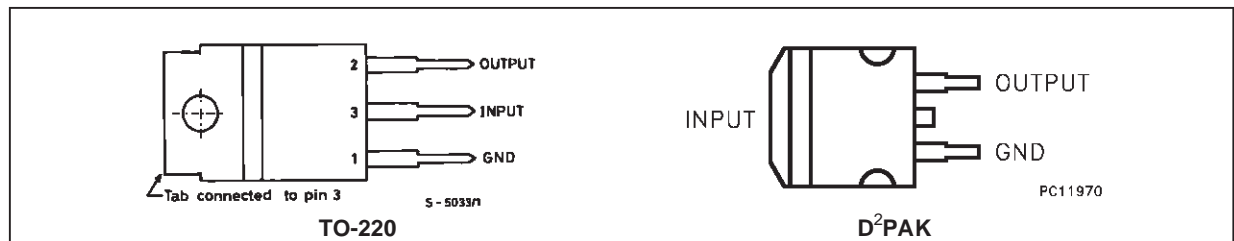
## ABSOLUTE MAXIMUM RATINGS

Symbol	Parameter	Value	Unit
$V_i$	DC Input Voltage (for $V_o = -5$ to $-18V$ ) (for $V_o = -20, -24V$ )	-35 -40	V
$I_o$	Output Current	Internally limited	
$P_{tot}$	Power Dissipation	Internally limited	
$T_{op}$	Operating Junction Temperature Range	0 to 125	°C
$T_{stg}$	Storage Temperature Range	- 65 to 150	°C

## THERMAL DATA

Symbol	Parameter		D <sup>2</sup> PAK	TO-220	Unit
$R_{thj-case}$	Thermal Resistance Junction-case	Max	3	3	°C/W
$R_{thj-amb}$	Thermal Resistance Junction-ambient	Max	62.5	50	°C/W

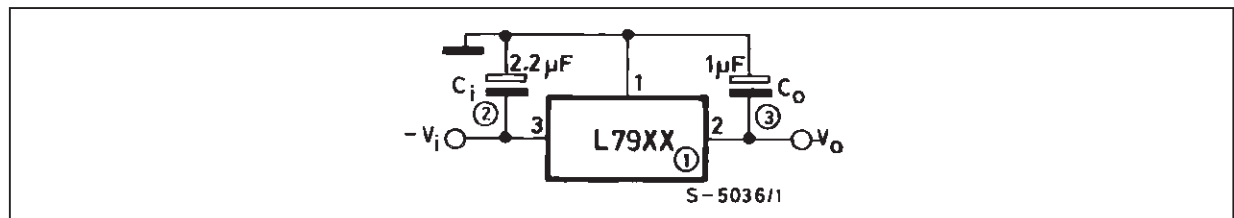
## CONNECTION DIAGRAM AND ORDERING NUMBERS (top view)



Type	TO-220	D <sup>2</sup> PAK (*)	Output Voltage
L7905AC	L7905ACV	L7905ACD2T	-5V
L7952AC	L7952ACV	L7952ACD2T	-5.2V
L7906AC	L7906ACV	L7906ACD2T	-6V
L7908AC	L7908ACV	L7908ACD2T	-8V
L7912AC	L7912ACV	L7912ACD2T	-12V
L7915AC	L7915ACV	L7915ACD2T	-15V
L7918AC	L7918ACV	L7918ACD2T	-18V
L7920AC	L7920ACV	L7920ACD2T	-20V
L7922AC	L7922ACV	L7922ACD2T	-22V
L7924AC	L7924ACV	L7924ACD2T	-24V

(\*) AVAILABLE IN TAPE AND REEL WITH "-TR" SUFFIX

## APPLICATION CIRCUIT



**ELECTRICAL CHARACTERISTICS FOR L7905A** (refer to the test circuits,  $T_j = 0$  to  $125$  °C,  $V_i = -10V$ ,  $I_o = 500$  mA,  $C_i = 2.2$   $\mu$ F,  $C_o = 1$   $\mu$ F unless otherwise specified)

Symbol	Parameter	Test Conditions	Min.	Typ.	Max.	Unit
$V_o$	Output Voltage	$T_j = 25$ °C	-4.9	-5	-5.1	V
$V_o$	Output Voltage	$I_o = -5$ mA to $-1$ A $P_o \leq 15$ W $V_i = 8$ to $20$ V	-4.8	-5	-5.2	V
$\Delta V_o^*$	Line Regulation	$V_i = -7$ to $-25$ V $T_j = 25$ °C $V_i = -8$ to $-12$ V $T_j = 25$ °C			100 50	mV mV
$\Delta V_o^*$	Load Regulation	$I_o = 5$ to $1500$ mA $T_j = 25$ °C $I_o = 250$ to $750$ mA $T_j = 25$ °C			100 50	mV mV
$I_d$	Quiescent Current	$T_j = 25$ °C			3	mA
$\Delta I_d$	Quiescent Current Change	$I_o = 5$ to $1000$ mA			0.5	mA
$\Delta I_d$	Quiescent Current Change	$V_i = -8$ to $-25$ V			1.3	mA
$\frac{\Delta V_o}{\Delta T}$	Output Voltage Drift	$I_o = 5$ mA		-0.4		mV/°C
$e_N$	Output Noise Voltage	$B = 10$ Hz to $100$ KHz $T_j = 25$ °C		100		$\mu$ V
SVR	Supply Voltage Rejection	$\Delta V_i = 10$ V $f = 120$ Hz	54	60		dB
$V_d$	Dropout Voltage	$I_o = 1$ A $T_j = 25$ °C $\Delta V_o = 100$ mV		1.4		V
$I_{sc}$	Short Circuit Current			2.1		A
$I_{scp}$	Short Circuit Peak Current	$T_j = 25$ °C		2.5		A

**ELECTRICAL CHARACTERISTICS FOR L7952A** (refer to the test circuits,  $T_j = 0$  to  $125$  °C,  $V_i = -10V$ ,  $I_o = 500$  mA,  $C_i = 2.2$   $\mu$ F,  $C_o = 1$   $\mu$ F unless otherwise specified)

Symbol	Parameter	Test Conditions	Min.	Typ.	Max.	Unit
$V_o$	Output Voltage	$T_j = 25$ °C	-5.1	-5.2	-5.3	V
$V_o$	Output Voltage	$I_o = -5$ mA to $-1$ A $P_o \leq 15$ W $V_i = -9$ to $-21$ V	-5	-5.2	-5.4	V
$\Delta V_o^*$	Line Regulation	$V_i = -8$ to $-25$ V $T_j = 25$ °C $V_i = -9$ to $-13$ V $T_j = 25$ °C			105 52	mV mV
$\Delta V_o^*$	Load Regulation	$I_o = 5$ to $1500$ mA $T_j = 25$ °C $I_o = 250$ to $750$ mA $T_j = 25$ °C			105 52	mV mV
$I_d$	Quiescent Current	$T_j = 25$ °C			3	mA
$\Delta I_d$	Quiescent Current Change	$I_o = 5$ to $1000$ mA			0.5	mA
$\Delta I_d$	Quiescent Current Change	$V_i = -9$ to $-25$ V			1.3	mA
$\frac{\Delta V_o}{\Delta T}$	Output Voltage Drift	$I_o = 5$ mA		-0.5		mV/°C
$e_N$	Output Noise Voltage	$B = 10$ Hz to $100$ KHz $T_j = 25$ °C		125		$\mu$ V
SVR	Supply Voltage Rejection	$\Delta V_i = 10$ V $f = 120$ Hz	54	60		dB
$V_d$	Dropout Voltage	$I_o = 1$ A $T_j = 25$ °C $\Delta V_o = 100$ mV		1.4		V
$I_{sc}$	Short Circuit Current			2.1		A
$I_{scp}$	Short Circuit Peak Current	$T_j = 25$ °C		2.5		A

\* Load and line regulation are specified at constant junction temperature. Changes in  $V_o$  due to heating effects must be taken into account separately. Pulse testing with low duty cycle is used.

## L7900AC

**ELECTRICAL CHARACTERISTICS FOR L7906A** (refer to the test circuits,  $T_j = 0$  to  $125$  °C,  $V_i = -11V$ ,  $I_o = 500$  mA,  $C_i = 2.2$   $\mu$ F,  $C_o = 1$   $\mu$ F unless otherwise specified)

Symbol	Parameter	Test Conditions	Min.	Typ.	Max.	Unit
$V_o$	Output Voltage	$T_j = 25$ °C	-5.88	-6	-6.12	V
$V_o$	Output Voltage	$I_o = -5$ mA to $-1$ A $P_o \leq 15$ W $V_i = -9.5$ to $-21.5$ V	-5.76	-6	-6.24	V
$\Delta V_o^*$	Line Regulation	$V_i = -8.5$ to $-25$ V $T_j = 25$ °C $V_i = -9$ to $-15$ V $T_j = 25$ °C			120 60	mV mV
$\Delta V_o^*$	Load Regulation	$I_o = 5$ to $1500$ mA $T_j = 25$ °C $I_o = 250$ to $750$ mA $T_j = 25$ °C			120 60	mV mV
$I_d$	Quiescent Current	$T_j = 25$ °C			3	mA
$\Delta I_d$	Quiescent Current Change	$I_o = 5$ to $1000$ mA			0.5	mA
$\Delta I_d$	Quiescent Current Change	$V_i = -9.5$ to $-25$ V			1.3	mA
$\frac{\Delta V_o}{\Delta T}$	Output Voltage Drift	$I_o = 5$ mA		-0.6		mV/°C
$e_N$	Output Noise Voltage	$B = 10$ Hz to $100$ KHz $T_j = 25$ °C		144		$\mu$ V
SVR	Supply Voltage Rejection	$\Delta V_i = 10$ V $f = 120$ Hz	54	60		dB
$V_d$	Dropout Voltage	$I_o = 1$ A $T_j = 25$ °C $\Delta V_o = 100$ mV		1.4		V
$I_{sc}$	Short Circuit Current			2		A
$I_{scp}$	Short Circuit Peak Current	$T_j = 25$ °C		2.5		A

**ELECTRICAL CHARACTERISTICS FOR L7908A** (refer to the test circuits,  $T_j = 0$  to  $125$  °C,  $V_i = -14V$ ,  $I_o = 500$  mA,  $C_i = 2.2$   $\mu$ F,  $C_o = 1$   $\mu$ F unless otherwise specified)

Symbol	Parameter	Test Conditions	Min.	Typ.	Max.	Unit
$V_o$	Output Voltage	$T_j = 25$ °C	-7.84	-8	-8.16	V
$V_o$	Output Voltage	$I_o = -5$ mA to $-1$ A $P_o \leq 15$ W $V_i = -11.5$ to $-23$ V	-7.68	-8	-8.32	V
$\Delta V_o^*$	Line Regulation	$V_i = -10.5$ to $-25$ V $T_j = 25$ °C $V_i = -11$ to $-17$ V $T_j = 25$ °C			160 80	mV mV
$\Delta V_o^*$	Load Regulation	$I_o = 5$ to $1500$ mA $T_j = 25$ °C $I_o = 250$ to $750$ mA $T_j = 25$ °C			160 80	mV mV
$I_d$	Quiescent Current	$T_j = 25$ °C			3	mA
$\Delta I_d$	Quiescent Current Change	$I_o = 5$ to $1000$ mA			0.5	mA
$\Delta I_d$	Quiescent Current Change	$V_i = -11.5$ to $-25$ V			1	mA
$\frac{\Delta V_o}{\Delta T}$	Output Voltage Drift	$I_o = 5$ mA		-0.6		mV/°C
$e_N$	Output Noise Voltage	$B = 10$ Hz to $100$ KHz $T_j = 25$ °C		175		$\mu$ V
SVR	Supply Voltage Rejection	$\Delta V_i = 10$ V $f = 120$ Hz	54	60		dB
$V_d$	Dropout Voltage	$I_o = 1$ A $T_j = 25$ °C $\Delta V_o = 100$ mV		1.1		V
$I_{sc}$	Short Circuit Current			1.5		A
$I_{scp}$	Short Circuit Peak Current	$T_j = 25$ °C		2.5		A

\* Load and line regulation are specified at constant junction temperature. Changes in  $V_o$  due to heating effects must be taken into account separately. Pulse testing with low duty cycle is used.

**ELECTRICAL CHARACTERISTICS FOR L7912A** (refer to the test circuits,  $T_j = 0$  to  $125$  °C,  $V_i = -19V$ ,  $I_o = 500$  mA,  $C_i = 2.2$   $\mu F$ ,  $C_o = 1$   $\mu F$  unless otherwise specified)

Symbol	Parameter	Test Conditions	Min.	Typ.	Max.	Unit
$V_o$	Output Voltage	$T_j = 25$ °C	-11.75	-12	-12.25	V
$V_o$	Output Voltage	$I_o = -5$ mA to $-1$ A $P_o \leq 15$ W $V_i = -15.5$ to $-27$ V	-11.5	-12	-12.5	V
$\Delta V_o^*$	Line Regulation	$V_i = -14.5$ to $-30$ V $T_j = 25$ °C $V_i = -16$ to $-22$ V $T_j = 25$ °C			240 120	mV mV
$\Delta V_o^*$	Load Regulation	$I_o = 5$ to $1500$ mA $T_j = 25$ °C $I_o = 250$ to $750$ mA $T_j = 25$ °C			240 120	mV mV
$I_d$	Quiescent Current	$T_j = 25$ °C			3	mA
$\Delta I_d$	Quiescent Current Change	$I_o = 5$ to $1000$ mA			0.5	mA
$\Delta I_d$	Quiescent Current Change	$V_i = -15$ to $-25$ V			1	mA
$\frac{\Delta V_o}{\Delta T}$	Output Voltage Drift	$I_o = 5$ mA		-0.8		mV/°C
$e_N$	Output Noise Voltage	$B = 10$ Hz to $100$ KHz $T_j = 25$ °C		200		$\mu V$
SVR	Supply Voltage Rejection	$\Delta V_i = 10$ V $f = 120$ Hz	54	60		dB
$V_d$	Dropout Voltage	$I_o = 1$ A $T_j = 25$ °C $\Delta V_o = 100$ mV		1.1		V
$I_{sc}$	Short Circuit Current			1.5		A
$I_{scp}$	Short Circuit Peak Current	$T_j = 25$ °C		2.5		A

**ELECTRICAL CHARACTERISTICS FOR L7915A** (refer to the test circuits,  $T_j = 0$  to  $125$  °C,  $V_i = -23V$ ,  $I_o = 500$  mA,  $C_i = 2.2$   $\mu F$ ,  $C_o = 1$   $\mu F$  unless otherwise specified)

Symbol	Parameter	Test Conditions	Min.	Typ.	Max.	Unit
$V_o$	Output Voltage	$T_j = 25$ °C	-14.7	-15	-15.3	V
$V_o$	Output Voltage	$I_o = -5$ mA to $-1$ A $P_o \leq 15$ W $V_i = -18.5$ to $-30$ V	-14.4	-15	-15.6	V
$\Delta V_o^*$	Line Regulation	$V_i = -17.5$ to $-30$ V $T_j = 25$ °C $V_i = -20$ to $-26$ V $T_j = 25$ °C			300 150	mV mV
$\Delta V_o^*$	Load Regulation	$I_o = 5$ to $1500$ mA $T_j = 25$ °C $I_o = 250$ to $750$ mA $T_j = 25$ °C			300 150	mV mV
$I_d$	Quiescent Current	$T_j = 25$ °C			3	mA
$\Delta I_d$	Quiescent Current Change	$I_o = 5$ to $1000$ mA			0.5	mA
$\Delta I_d$	Quiescent Current Change	$V_i = -18.5$ to $-30$ V			1	mA
$\frac{\Delta V_o}{\Delta T}$	Output Voltage Drift	$I_o = 5$ mA		-0.9		mV/°C
$e_N$	Output Noise Voltage	$B = 10$ Hz to $100$ KHz $T_j = 25$ °C		250		$\mu V$
SVR	Supply Voltage Rejection	$\Delta V_i = 10$ V $f = 120$ Hz	54	60		dB
$V_d$	Dropout Voltage	$I_o = 1$ A $T_j = 25$ °C $\Delta V_o = 100$ mV		1.1		V
$I_{sc}$	Short Circuit Current			1.3		A
$I_{scp}$	Short Circuit Peak Current	$T_j = 25$ °C		2.3		A

\* Load and line regulation are specified at constant junction temperature. Changes in  $V_o$  due to heating effects must be taken into account separately. Pulse testing with low duty cycle is used.

## L7900AC

**ELECTRICAL CHARACTERISTICS FOR L7918A** (refer to the test circuits,  $T_j = 0$  to  $125$  °C,  $V_i = -27V$ ,  $I_o = 500$  mA,  $C_i = 2.2$   $\mu F$ ,  $C_o = 1$   $\mu F$  unless otherwise specified)

Symbol	Parameter	Test Conditions	Min.	Typ.	Max.	Unit
$V_o$	Output Voltage	$T_j = 25$ °C	-17.64	-18	-18.36	V
$V_o$	Output Voltage	$I_o = -5$ mA to $-1$ A $P_o \leq 15$ W $V_i = -22$ to $-33$ V	-17.3	-18	-18.7	V
$\Delta V_o^*$	Line Regulation	$V_i = -21$ to $-33$ V $T_j = 25$ °C $V_i = -24$ to $-30$ V $T_j = 25$ °C			360 180	mV mV
$\Delta V_o^*$	Load Regulation	$I_o = 5$ to $1500$ mA $T_j = 25$ °C $I_o = 250$ to $750$ mA $T_j = 25$ °C			360 180	mV mV
$I_d$	Quiescent Current	$T_j = 25$ °C			3	mA
$\Delta I_d$	Quiescent Current Change	$I_o = 5$ to $1000$ mA			0.5	mA
$\Delta I_d$	Quiescent Current Change	$V_i = -22$ to $-33$ V			1	mA
$\frac{\Delta V_o}{\Delta T}$	Output Voltage Drift	$I_o = 5$ mA		-1		mV/°C
$e_N$	Output Noise Voltage	$B = 10$ Hz to $100$ KHz $T_j = 25$ °C		300		$\mu V$
SVR	Supply Voltage Rejection	$\Delta V_i = 10$ V $f = 120$ Hz	54	60		dB
$V_d$	Dropout Voltage	$I_o = 1$ A $T_j = 25$ °C $\Delta V_o = 100$ mV		1.1		V
$I_{sc}$	Short Circuit Current			1.1		A
$I_{scp}$	Short Circuit Peak Current	$T_j = 25$ °C		2.2		A

**ELECTRICAL CHARACTERISTICS FOR L7920A** (refer to the test circuits,  $T_j = 0$  to  $125$  °C,  $V_i = -29V$ ,  $I_o = 500$  mA,  $C_i = 2.2$   $\mu F$ ,  $C_o = 1$   $\mu F$  unless otherwise specified)

Symbol	Parameter	Test Conditions	Min.	Typ.	Max.	Unit
$V_o$	Output Voltage	$T_j = 25$ °C	-19.6	-20	-20.4	V
$V_o$	Output Voltage	$I_o = -5$ mA to $-1$ A $P_o \leq 15$ W $V_i = -24$ to $-35$ V	-19.2	-20	-20.8	V
$\Delta V_o^*$	Line Regulation	$V_i = -23$ to $-35$ V $T_j = 25$ °C $V_i = -26$ to $-32$ V $T_j = 25$ °C			400 200	mV mV
$\Delta V_o^*$	Load Regulation	$I_o = 5$ to $1500$ mA $T_j = 25$ °C $I_o = 250$ to $750$ mA $T_j = 25$ °C			400 200	mV mV
$I_d$	Quiescent Current	$T_j = 25$ °C			3	mA
$\Delta I_d$	Quiescent Current Change	$I_o = 5$ to $1000$ mA			0.5	mA
$\Delta I_d$	Quiescent Current Change	$V_i = -24$ to $-35$ V			1	mA
$\frac{\Delta V_o}{\Delta T}$	Output Voltage Drift	$I_o = 5$ mA		-1.1		mV/°C
$e_N$	Output Noise Voltage	$B = 10$ Hz to $100$ KHz $T_j = 25$ °C		350		$\mu V$
SVR	Supply Voltage Rejection	$\Delta V_i = 10$ V $f = 120$ Hz	54	60		dB
$V_d$	Dropout Voltage	$I_o = 1$ A $T_j = 25$ °C $\Delta V_o = 100$ mV		1.1		V
$I_{sc}$	Short Circuit Current			0.9		A
$I_{scp}$	Short Circuit Peak Current	$T_j = 25$ °C		2.2		A

\* Load and line regulation are specified at constant junction temperature. Changes in  $V_o$  due to heating effects must be taken into account separately. Pulse testing with low duty cycle is used.

**ELECTRICAL CHARACTERISTICS FOR L7922A** (refer to the test circuits,  $T_j = 0$  to  $125$  °C,  $V_i = -31$ V,  $I_o = 500$  mA,  $C_i = 2.2$   $\mu$ F,  $C_o = 1$   $\mu$ F unless otherwise specified)

Symbol	Parameter	Test Conditions	Min.	Typ.	Max.	Unit
$V_o$	Output Voltage	$T_j = 25$ °C	-21.5	-22	-22.4	V
$V_o$	Output Voltage	$I_o = -5$ mA to $-1$ A $P_o \leq 15$ W $V_i = -26$ to $-37$ V	-21.1	-22	-22.8	V
$\Delta V_o^*$	Line Regulation	$V_i = -25$ to $-37$ V $T_j = 25$ °C $V_i = -28$ to $-34$ V $T_j = 25$ °C			440 220	mV mV
$\Delta V_o^*$	Load Regulation	$I_o = 5$ to $1500$ mA $T_j = 25$ °C $I_o = 250$ to $750$ mA $T_j = 25$ °C			440 220	mV mV
$I_d$	Quiescent Current	$T_j = 25$ °C			3	mA
$\Delta I_d$	Quiescent Current Change	$I_o = 5$ to $1000$ mA			0.5	mA
$\Delta I_d$	Quiescent Current Change	$V_i = -26$ to $-37$ V			1	mA
$\frac{\Delta V_o}{\Delta T}$	Output Voltage Drift	$I_o = 5$ mA		-1.1		mV/°C
$e_N$	Output Noise Voltage	$B = 10$ Hz to $100$ KHz $T_j = 25$ °C		375		$\mu$ V
SVR	Supply Voltage Rejection	$\Delta V_i = 10$ V $f = 120$ Hz	54	60		dB
$V_d$	Dropout Voltage	$I_o = 1$ A $T_j = 25$ °C $\Delta V_o = 100$ mV		1.1		V
$I_{sc}$	Short Circuit Current			1.1		A
$I_{scp}$	Short Circuit Peak Current	$T_j = 25$ °C		2.2		A

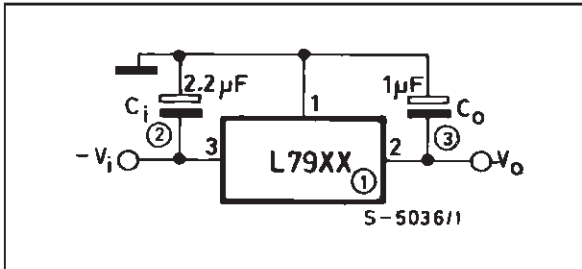
**ELECTRICAL CHARACTERISTICS FOR L7924A** (refer to the test circuits,  $T_j = 0$  to  $125$  °C,  $V_i = -33$ V,  $I_o = 500$  mA,  $C_i = 2.2$   $\mu$ F,  $C_o = 1$   $\mu$ F unless otherwise specified)

Symbol	Parameter	Test Conditions	Min.	Typ.	Max.	Unit
$V_o$	Output Voltage	$T_j = 25$ °C	-23.5	-24	-24.5	V
$V_o$	Output Voltage	$I_o = -5$ mA to $-1$ A $P_o \leq 15$ W $V_i = -27$ to $-38$ V	-23	-24	-25	V
$\Delta V_o^*$	Line Regulation	$V_i = -27$ to $-38$ V $T_j = 25$ °C $V_i = -30$ to $-36$ V $T_j = 25$ °C			480 240	mV mV
$\Delta V_o^*$	Load Regulation	$I_o = 5$ to $1500$ mA $T_j = 25$ °C $I_o = 250$ to $750$ mA $T_j = 25$ °C			480 240	mV mV
$I_d$	Quiescent Current	$T_j = 25$ °C			3	mA
$\Delta I_d$	Quiescent Current Change	$I_o = 5$ to $1000$ mA			0.5	mA
$\Delta I_d$	Quiescent Current Change	$V_i = -27$ to $-38$ V			1	mA
$\frac{\Delta V_o}{\Delta T}$	Output Voltage Drift	$I_o = 5$ mA		-1		mV/°C
$e_N$	Output Noise Voltage	$B = 10$ Hz to $100$ KHz $T_j = 25$ °C		400		$\mu$ V
SVR	Supply Voltage Rejection	$\Delta V_i = 10$ V $f = 120$ Hz	54	60		dB
$V_d$	Dropout Voltage	$I_o = 1$ A $T_j = 25$ °C $\Delta V_o = 100$ mV		1.1		V
$I_{sc}$	Short Circuit Current			1.1		A
$I_{scp}$	Short Circuit Peak Current	$T_j = 25$ °C		2.2		A

\* Load and line regulation are specified at constant junction temperature. Changes in  $V_o$  due to heating effects must be taken into account separately. Pulse testing with low duty cycle is used.

APPLICATION INFORMATION

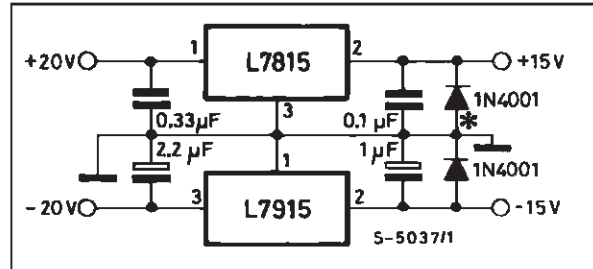
Figure 1 : Fixed Output Regulator.



Notes :

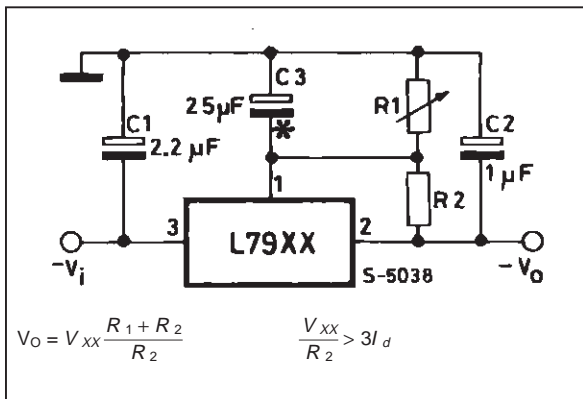
1. To specify an output voltage, substitute voltage value for "XX".
2. Required for stability. For value given, capacitor must be solid tantalum. If aluminium electrolytics are used, at least ten times value should be selected. C<sub>1</sub> is required if regulator is located an appreciable distance from power supply filter.
3. To improve transient response. If large capacitors are used, a high current diode from input to output (1N4001 or similar) should be introduced to protect the device from momentary input short circuit.

Figure 2 : Split Power Supply (± 15V/1A).



Against potential latch-up problems.

Figure 3 : Circuit for Increasing Output Voltage.



C3 Optional for improved transient response and ripple rejection.

Figure 4 : High Current Negative Regulator (- 5V/4A with 5A current limiting).

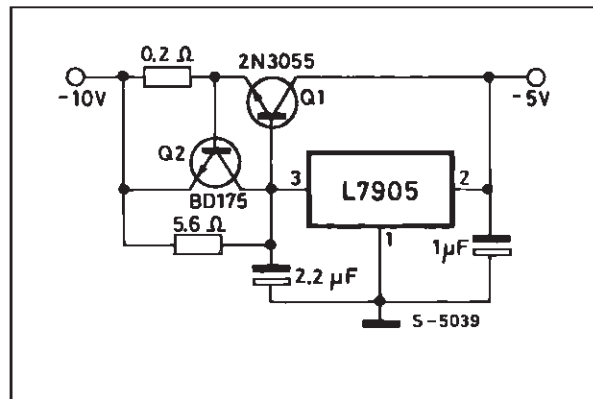
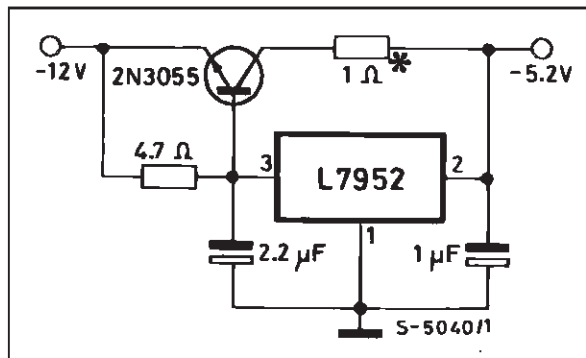


Figure 5 : Typical ECL System Power Supply (- 5.2V/4A).

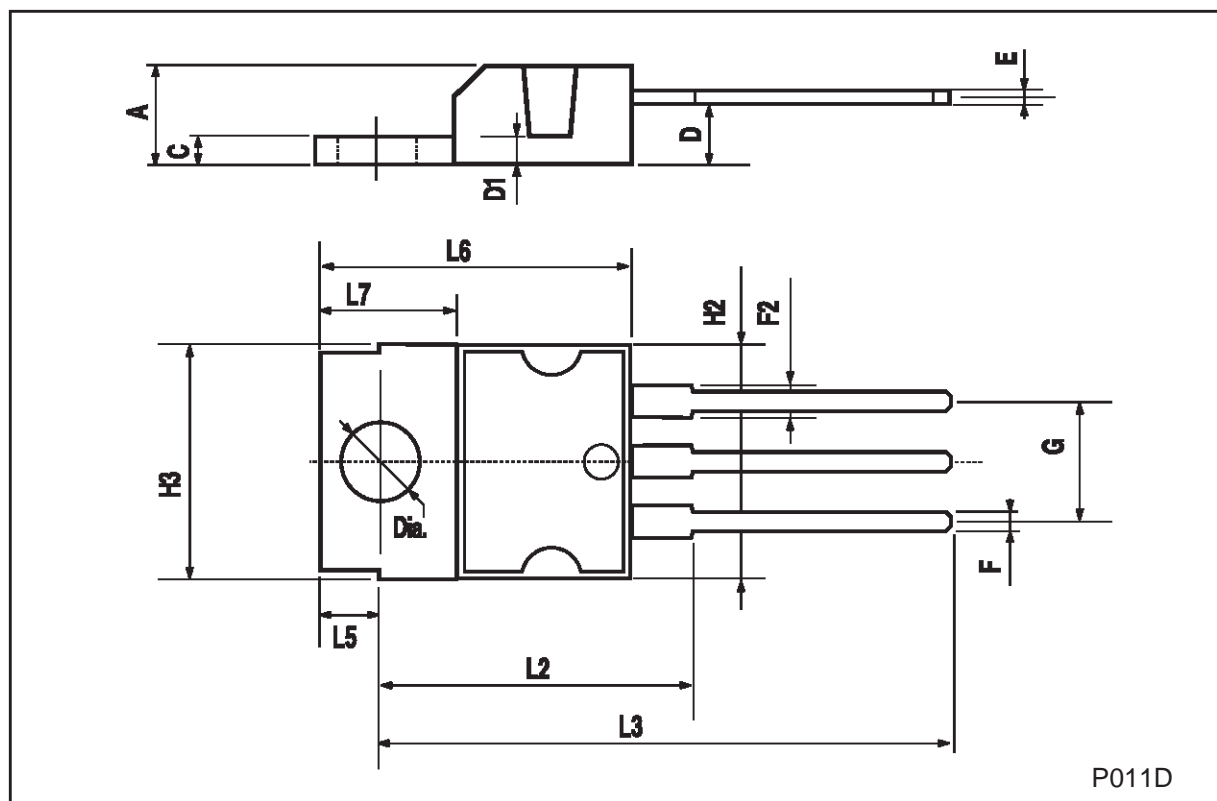


Optional dropping resistor to reduce the power dissipated in the boost transistor.



## TO-220 MECHANICAL DATA

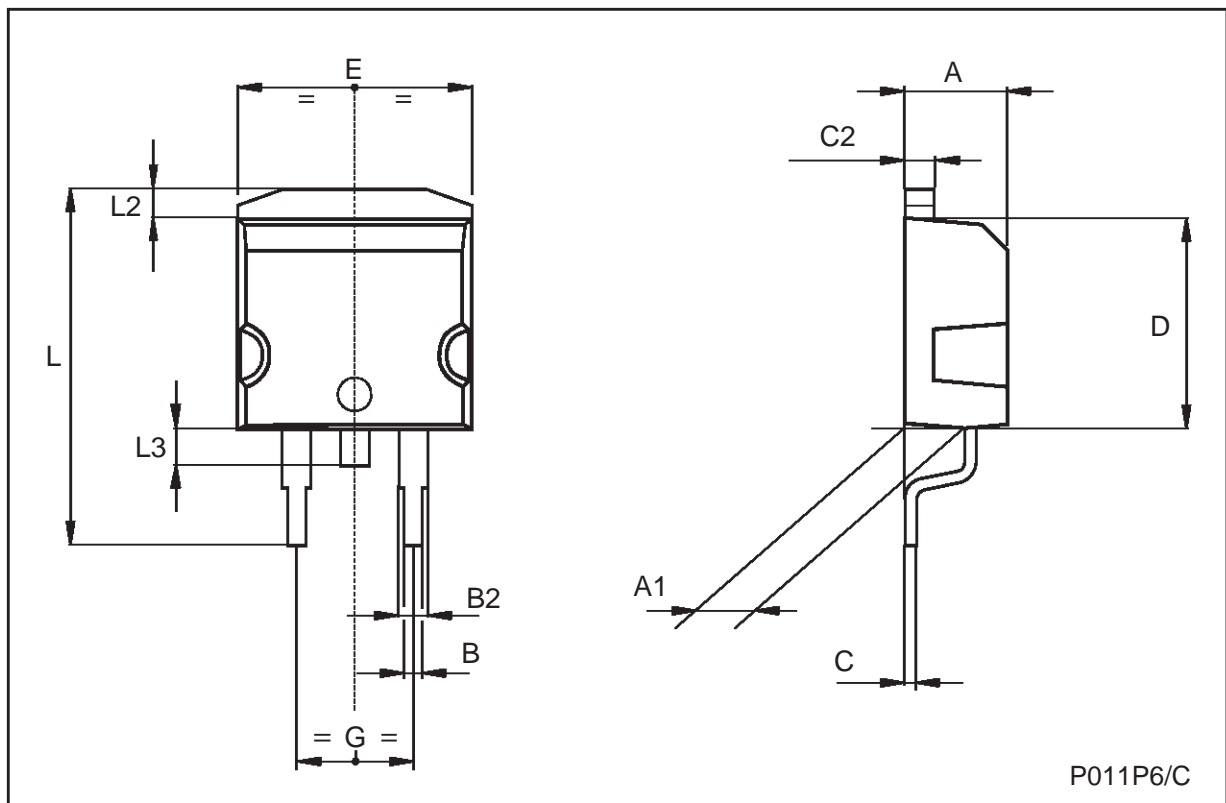
DIM.	mm			inch		
	MIN.	TYP.	MAX.	MIN.	TYP.	MAX.
A			4.8			0.189
C			1.37			0.054
D	2.4		2.8	0.094		0.110
D1	1.2		1.35	0.047		0.053
E	0.35		0.55	0.014		0.022
F	0.61		0.94	0.024		0.037
F2	1.15		1.4	0.045		0.055
G	4.95	5.08	5.21	0.195	0.200	0.205
H2			10.4			0.409
H3	10.05		10.4	0.396		0.409
L2		16.2			0.638	
L3	26.3	26.7	27.1	1.035	1.051	1.067
L5	2.6		3	0.102		0.118
L6	15.1		15.8	0.594		0.622
L7	6		6.6	0.236		0.260
Dia.	3.65		3.85	0.144		0.152



P011D

**TO-263 (D<sup>2</sup>PAK) MECHANICAL DATA**

DIM.	mm			inch		
	MIN.	TYP.	MAX.	MIN.	TYP.	MAX.
A	4.3		4.6	0.169		0.181
A1	2.49		2.69	0.098		0.106
B	0.7		0.93	0.027		0.036
B2	1.25		1.4	0.049		0.055
C	0.45		0.6	0.017		0.023
C2	1.21		1.36	0.047		0.053
D	8.95		9.35	0.352		0.368
E	10		10.28	0.393		0.404
G	4.88		5.28	0.192		0.208
L	15		15.85	0.590		0.624
L2	1.27		1.4	0.050		0.055
L3	1.4		1.75	0.055		0.068



Information furnished is believed to be accurate and reliable. However, STMicroelectronics assumes no responsibility for the consequences of use of such information nor for any infringement of patents or other rights of third parties which may result from its use. No license is granted by implication or otherwise under any patent or patent rights of STMicroelectronics. Specification mentioned in this publication are subject to change without notice. This publication supersedes and replaces all information previously supplied. STMicroelectronics products are not authorized for use as critical components in life support devices or systems without express written approval of STMicroelectronics.

The ST logo is a trademark of STMicroelectronics

© 1998 STMicroelectronics – Printed in Italy – All Rights Reserved

STMicroelectronics GROUP OF COMPANIES

Australia - Brazil - Canada - China - France - Germany - Italy - Japan - Korea - Malaysia - Malta - Morocco - The Netherlands - Singapore - Spain - Sweden - Switzerland - Taiwan - Thailand - United Kingdom - U.S.A.