

AS3682**Product Brief****480mA Camera Lighting Management Unit****1 General Description**

The AS3682 is a low-noise, high-current charge pump designed for camera flash LEDs and LCD backlighting applications. The device is capable of driving up to 480mA of load current.

The AS3682 integrates two independent LED blocks for driving a single flash LED (CURR₁₁ to CURR₁₃) with up to 480mA, and general purpose LEDs (CURR₂ to CURR₄) with up to 160mA/LED. The general purpose LEDs are controlled individually and can be used for backlighting, but also in support of an RGB fun-light or a movie indicator lamp.

The AS3682 utilizes austriamicrosystems's patent-pending Intelligent Adaptive Mode Setting (IAMS) to switch between 1:1, 1:1.5, and 1: 2 modes. In combination with very-low-drop-out current sinks, the device achieves high efficiency over the full single-cell Li+ battery voltage range. The charge pump operates at a fixed frequency of 1MHz allowing for tiny external components and its design ensures low EMI and low input-ripple.

The ultra-flexible brightness control scheme allows for simple adaptation of the device to different system architectures.

In Normal and Softflash Modes the device is controlled by an I²C interface. In these modes the LED brightness, flash duration, GPIOs and various charge pump states are controlled by internal register settings. The GPIO pins can act as programmable input or output pins and can also be set to trigger preview and flash light directly by a camera module.

In Hardflash Mode, the LED brightness is controlled by the Enable pins. Those programming pins can be used as simple enable pins, as PWM input, again offering ample flexibility for setting the LED brightness.

2 Key Features

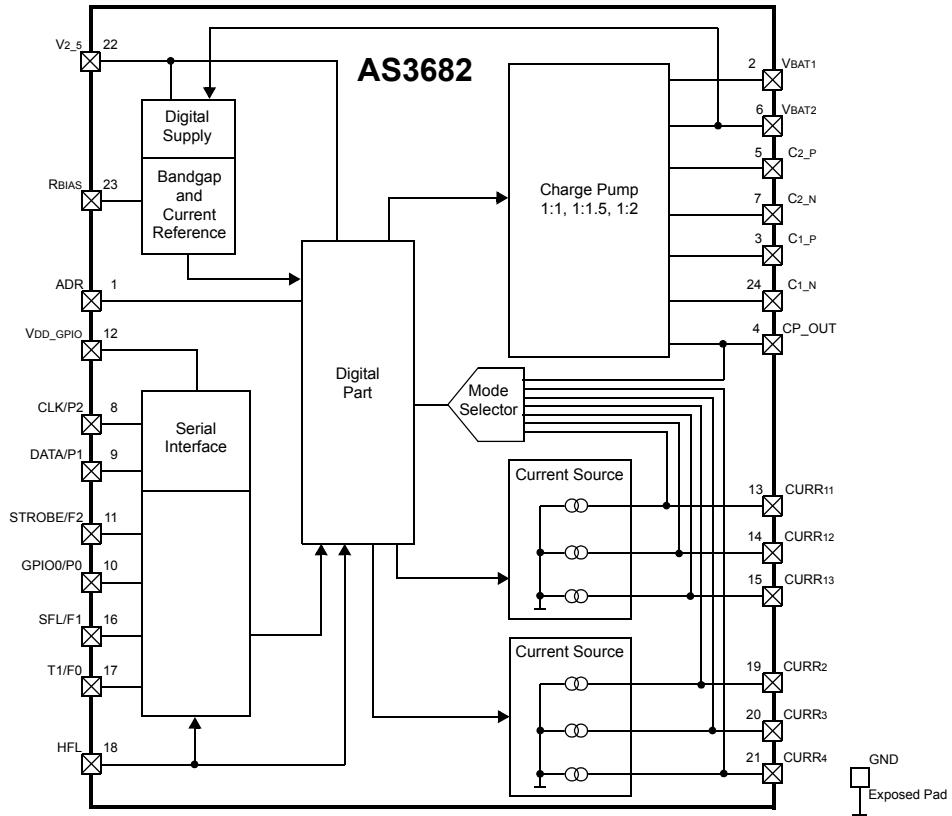
- High-Efficiency High-Power Charge Pump
 - 1:1, 1:1.5, and 1:2 Intelligent Adaptive Mode Setting (IAMS)
 - Efficiency up to 95%
 - Soft Start to Reduce Inrush Current
 - Low-Noise Constant-Frequency Operation
- Current Sinks
 - 400mA Continuous Flash Current (@V_{IN} = 3.2 to 5V, V_{OUT} = 5V)
 - 480mA Maximum Pulsed Flash Current
 - Programmable: 0 to 160mA, 0.625mA Resolution
- Flexible Brightness Control
 - Three 0 to 160mA LEDs
 - Individually Addressable via I²C Interface
- Three Operating Modes
 - Normal Mode (I²C Interface)
 - Softflash Mode (I²C Interface)
 - Dedicated Control Pins for Hardflash Modes
- Two General Purpose Inputs/Outputs
 - Digital Input, Output, and Tristate
 - Programmable Pull-Up and Pull-Down
 - Strobe Pin can be used for Camera Flash Control
- LED Disconnect in Shutdown
- Open LED Detection
- Low Stand-By Current (6μA), Interface Fully Operating
- Low Shut-Down Current (0.2μA)
- Wide Battery Supply Range: 3.0 to 5.5V
- Thermal Protection
- 24-Pin, Small Form-Factor QFN Package
 - 4 x 4 x 0.85mm, 0.5mm Pitch
 - Enhanced Thermal Characteristics

3 Applications

Lighting management for cameras, mobile telephones, PDAs, and other 1-cell Li+ or 3-cell NiMH powered devices.

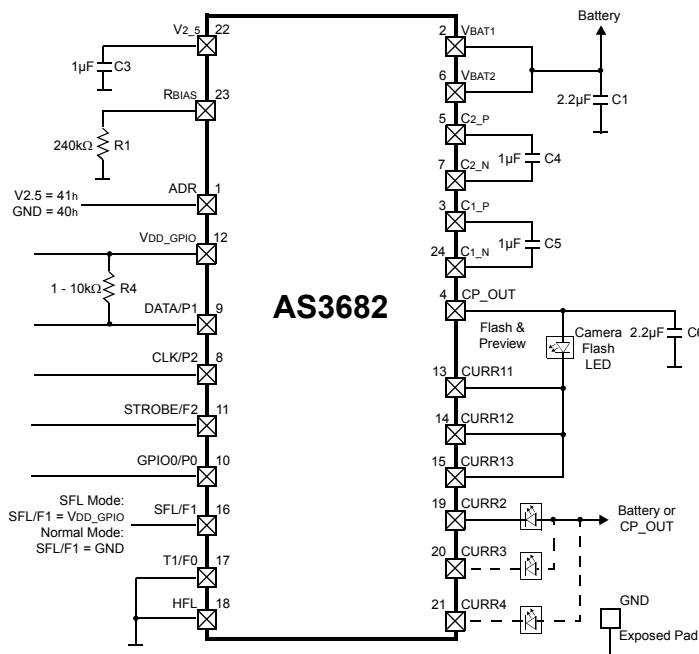
4 Block Diagram

Figure 1. AS3682 Block Diagram



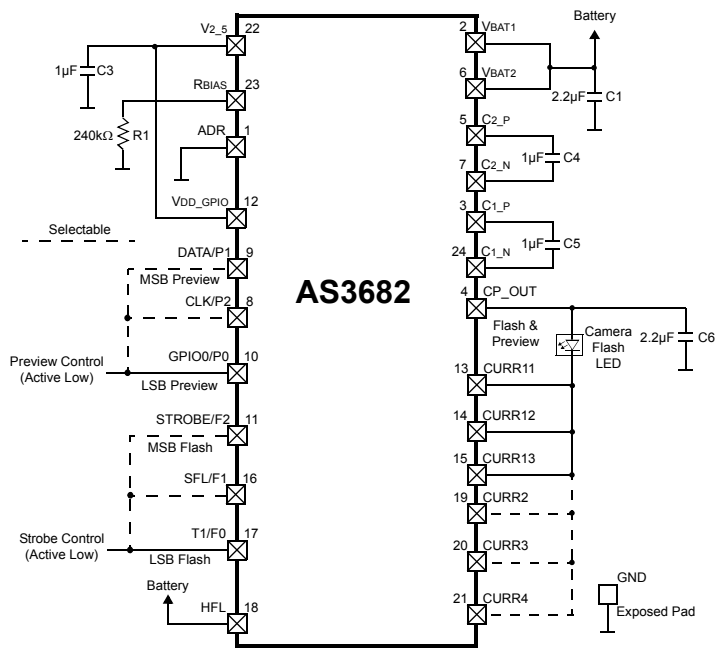
5 Application Diagrams

Figure 2. Normal and Softflash Mode Application Diagram



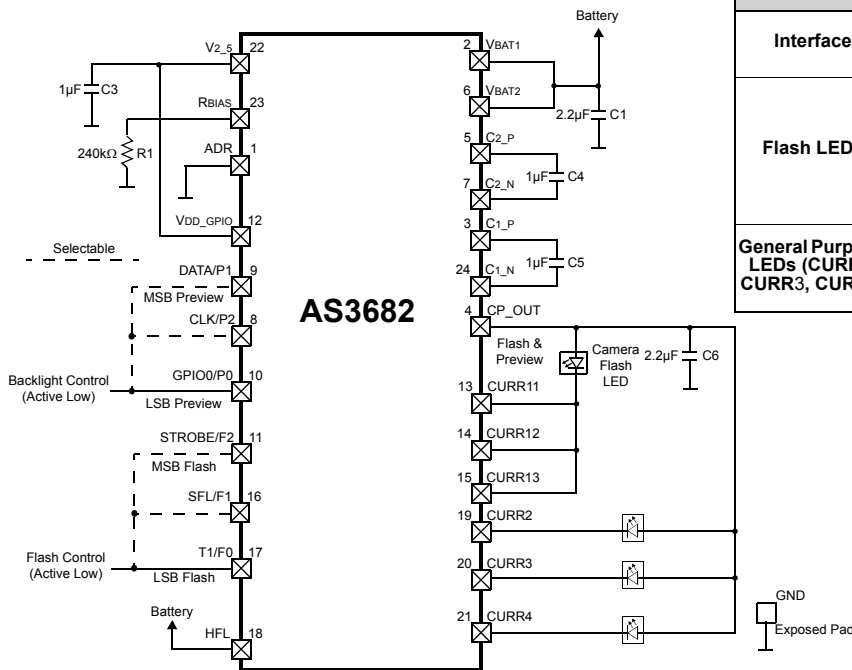
Feature	Normal Mode	Softflash Mode	
Interface	I ² C	I ² C	
Flash LEDs	Current Sinks	3	3
	Total Current	0 to 450mA	0 to 480mA
	Addressable	Block	Block
	Strobe Trigger	STROBE/F2 or software	STROBE/F2 or software
	Strobe Preview	GPIO0/P0 or software	GPIO0/P0 or software
General Purpose LEDs (CURR2, CURR3, CURR4)	Current Sinks	3	3
	Current per Sink	0 to 37.5mA	0 to 160mA
	Addressable	Individual	Individual

Figure 3. Hardflash Mode 1 Application Diagram



Feature		Hardflash Mode 1
Interface		Dedicated Control Pins for Strobe (3x) & Preview (3x)
	Current Sinks	6
Flash LEDs	Total Current	Strobe: 0 to 450mA Preview: 0 to 400mA
	Addressable	Block
	Strobe Trigger	By Strobe Control Pins
	Strobe Preview	By Preview Control Pins
	General Purpose LEDs (CURR2, CURR3, CURR4)	Current Sinks
	Current per Sink	N/A
	Addressable	N/A

Figure 4. Hardflash Mode 2 Application Diagram



Feature		Hardflash Mode 2
Interface		Dedicated Control Pins for Flash (3x) & General Purpose (3x)
	Current Sinks	3
Flash LEDs	Total Current	Flash: 0 to 450mA
	Addressable	Block
	Strobe Trigger	By Flash Control Pin
	Strobe Preview	
General Purpose LEDs (CURR2, CURR3, CURR4)	Current Sinks	3
	Current per Sink	0 to 20/37.5mA
	Addressable	Block

Copyrights

Copyright © 1997-2005, austriamicrosystems AG, Schloss Premstaetten, 8141 Unterpemstaetten, Austria-Europe. Trademarks Registered ®. All rights reserved. The material herein may not be reproduced, adapted, merged, translated, stored, or used without the prior written consent of the copyright owner.

All products and companies mentioned are trademarks or registered trademarks of their respective companies.

Disclaimer

Devices sold by austriamicrosystems AG are covered by the warranty and patent indemnification provisions appearing in its Term of Sale. austriamicrosystems AG makes no warranty, express, statutory, implied, or by description regarding the information set forth herein or regarding the freedom of the described devices from patent infringement. austriamicrosystems AG reserves the right to change specifications and prices at any time and without notice. Therefore, prior to designing this product into a system, it is necessary to check with austriamicrosystems AG for current information. This product is intended for use in normal commercial applications. Applications requiring extended temperature range, unusual environmental requirements, or high reliability applications, such as military, medical life-support or life-sustaining equipment are specifically not recommended without additional processing by austriamicrosystems AG for each application.

The information furnished here by austriamicrosystems AG is believed to be correct and accurate. However, austriamicrosystems AG shall not be liable to recipient or any third party for any damages, including but not limited to personal injury, property damage, loss of profits, loss of use, interruption of business or indirect, special, incidental or consequential damages, of any kind, in connection with or arising out of the furnishing, performance or use of the technical data herein. No obligation or liability to recipient or any third party shall arise or flow out of austriamicrosystems AG rendering of technical or other services.

Contact Information

Headquarters

austriamicrosystems AG
A-8141 Schloss Premstaetten, Austria

Tel: +43 (0) 3136 500 0

Fax: +43 (0) 3136 525 01

e-mail: info@austriamicrosystems.com

For Sales Offices, Distributors and Representatives, please visit:

<http://www.austriamicrosystems.com>

austriamicrosystems – a leap ahead