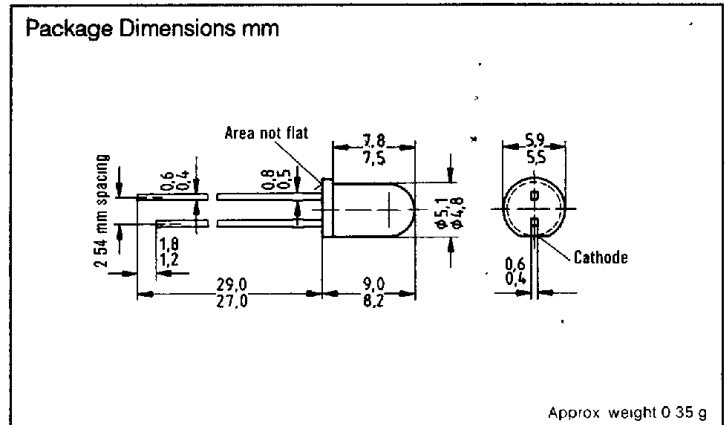
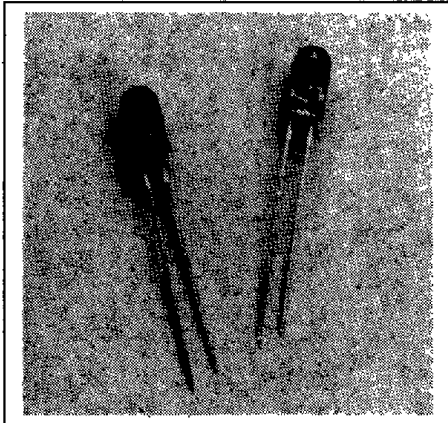


SIEMENS

T-41-21

RED LR 5420
SUPER-RED LS 5420
YELLOW LY 5420
GREEN LG 5410

T1³/₄ (5 mm) LED LAMP



FEATURES

- High Light Output
- Water Clear Lens: Green
Lightly Tinted Clear Lens: Red, Super-Red, Yellow
- Viewing Angle, 24°
- T1³/₄ (5 mm) Package Size
- 1" Lead Length
- Front Panel Mounting
Snap-in Mounting Clips Available
Clip/Collar #Q62901-B65
#Q62901-B64
- I/C Compatible

DESCRIPTION

The LR 5420 is a standard red GaAsP light emitting diode lamp. The LS 5420 super-red and LY 5420 yellow lamps are fabricated with TSN (transparent substrate nitrogen) technology. The LG 5410 is a gallium phosphide LED lamp. All four have a lightly tinted clear lens with a narrow viewing angle for the concentration of intense brightness in a head-on position. This is particularly desirable for legend back lighting applications.

Maximum Ratings

Reverse Voltage (V _R) 5 V
Forward Current (I _F) 45 mA
Surge Current (t = 10 μs) (I _{SM}) 1 A
Storage Temperature Range (T _{STG}) -55°C to +100°C
Junction Temperature (T _J) 100°C
Total Power Dissipation (P _{TOT}) T _A =25°C 150 mW
Thermal Resistance: Junction/Air (R _{TH(A)}) 200 K/W

Characteristics (T_A=25°C)

Parameter	Symbol	LR 5420	LS 5420	LY 5420	LG 5410	Unit
		Red	Super-Red	Yellow	Green	
Wavelength at Peak						
Emission	λ _{PEAK}	660	635	586	565	nm
Dominant Wavelength	λ _{DOM}	645	628	590	567	nm
Viewing Angle (Limits for 50% of Luminous Intensity I _V)	φ	24	24	24	24	Deg.
Forward Voltage (I _F =10 mA)	V _F	1.6 (≤2.0)	2.0 (≤2.6)	2.0 (≤2.6)	2.0 (≤2.6)	V
Reverse Current (V _R =5 V)	I _R	0.01 (≤10)	0.01 (≤10)	0.01 (≤10)	0.01 (≤10)	μA
Capacitance (V _R =0 V, f=1 MHz)	C ₀	25	12	10	15	pF
Rise Time	t _r	120	300	300	450	ns
Fall Time	t _f	50	150	150	200	ns

Luminous Intensity (mcd)

Part Number	Min.	Max.	Test Condition	Test		
				Part Number	Min.	Max.
LR 5420-EH	0.63	5	10 mA	LY 5420-LP	10	80
LR 5420-G	1.6	3.2	10 mA	LY 5420-N	25	50
LR 5420-GK	1.6	12.5	10 mA	LY 5420-NR	25	200
LR 5420-H	2.5	5	10 mA	LY 5420-P	40	80
LS 5420-LP	10	80	10 mA	LY 5420-Q	63	125
LS 5420-N	25	50	10 mA	LG 5410-MQ	16	125
LS 5420-NR	25	200	10 mA	LG 5410-P	40	80
LS 5420-P	40	80	10 mA	LG 5410-PS	40	320
LS 5420-Q	63	125	10 mA	LG 5410-Q	63	125
				LG 5410-R	100	200

See graph numbers 1, 2B, 3A, 5A, 6A, 7A, 8, 9, 10 on pages 42 - 48