

### General Description

The MIC2920A family are “bulletproof,” efficient voltage regulators with very low dropout voltage (typically 40mV at light loads and 370mV at 250mA), and very low quiescent current (140µA typical). The quiescent current of the MIC2920A increases only slightly in dropout, prolonging battery life. Key MIC2920A features include protection against reversed battery, fold-back current limiting, and automotive “load dump” protection (60V positive transient).

The MIC2920 is available in several configurations. The MIC2920A-x.x devices are three pin fixed voltage regulators available in 3.3V, 4.85V, 5V, and 12V outputs. The MIC29201 is a fixed regulator offering a logic compatible ON/OFF (shutdown) input and an error flag output. This flag may also be used as a power-on reset signal. A logic-compatible shutdown input is provided on the adjustable MIC29202 which allows the regulator to be switched on and off. The MIC29204 8-pin SOIC adjustable regulator includes both shutdown and error flag pins and may be pin-strapped for 5V output or programmed from 1.24V to 26V using two external resistors.

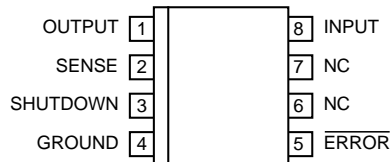
### Features

- High output voltage accuracy
- Guaranteed 400mA output
- Low quiescent current
- Low dropout voltage
- Extremely tight load and line regulation
- Very low temperature coefficient
- Current and thermal limiting
- Input withstands -20V reverse battery and 60V positive transients
- Error flag warns of output dropout
- Logic-controlled electronic shutdown
- Output programmable from 1.24V to 26V (MIC29202/MIC29204)
- Available in TO-220, TO-220-5, and surface-mount TO-263-5, SOT-223, and SO-8 packages.

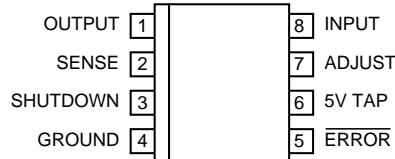
### Applications

- Battery-powered equipment
- Cellular telephones
- Laptop, notebook, and palmtop computers
- PCMCIA  $V_{CC}$  and  $V_{PP}$  regulation/switching
- Bar code scanners
- Automotive electronics
- SMPS post-regulators
- Voltage reference
- High-efficiency linear power supplies

### Pin Configuration



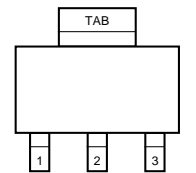
**MIC29201-3.3BM (SO-8)**



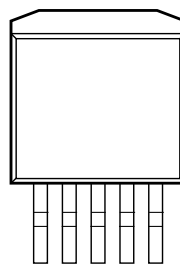
**MIC29204BM (SO-8)**

#### 5-Lead Package Pinouts

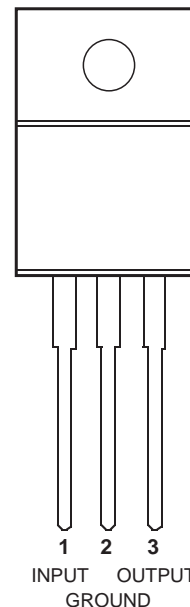
|    | MIC29201 | MIC29202 |
|----|----------|----------|
| 1) | Error    | Adjust   |
| 2) | Input    | Shutdown |
| 3) | Ground   | Ground   |
| 4) | Output   | Input    |
| 5) | Shutdown | Output   |



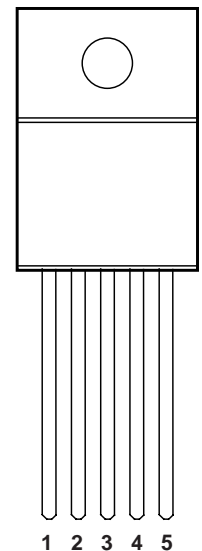
**MIC2920A-x.xBS (SOT-223)**



**MIC29201/29202BU (TO-263-5)**



**MIC2920A-xxBT (TO-220)**



**MIC29201/29202BT (TO-220-5)**

Tab is Ground on SOT-223, TO-220, and TO-263 packages.

| Ordering Information |            |                    |            |
|----------------------|------------|--------------------|------------|
| Part Number          | Voltage    | Temperature Range* | Package    |
| MIC2920A-3.3BS       | 3.3V       | -40°C to +125°C    | SOT-223    |
| MIC2920A-3.3BT       | 3.3V       | -40°C to +125°C    | TO-220     |
| MIC2920A-4.8BS       | 4.85V      | -40°C to +125°C    | SOT-223    |
| MIC2920A-4.8BT       | 4.85V      | -40°C to +125°C    | TO-220     |
| MIC2920A-5.0BS       | 5.0V       | -40°C to +125°C    | SOT-223    |
| MIC2920A-5.0BT       | 5.0V       | -40°C to +125°C    | TO-220     |
| MIC2920A-12BS        | 12V        | -40°C to +125°C    | SOT-223    |
| MIC2920A-12BT        | 12V        | -40°C to +125°C    | TO-220     |
| MIC29201-3.3BM       | 3.3V       | -40°C to +125°C    | SO-8       |
| MIC29201-3.3BT       | 3.3V       | -40°C to +125°C    | TO-220-5   |
| MIC29201-3.3BU       | 3.3V       | -40°C to +125°C    | TO-263-5   |
| MIC29201-4.8BT       | 4.85V      | -40°C to +125°C    | TO-220-5   |
| MIC29201-4.8BU       | 4.85V      | -40°C to +125°C    | TO-263-5   |
| MIC29201-5.0BT       | 5.0V       | -40°C to +125°C    | TO-220-5   |
| MIC29201-5.0BU       | 5.0V       | -40°C to +125°C    | TO-263-5   |
| MIC29201-12BT        | 12V        | -40°C to +125°C    | TO-220-5   |
| MIC29201-12BU        | 12V        | -40°C to +125°C    | TO-263-5   |
| MIC29202BT           | Adj        | -40°C to +125°C    | TO-220-5   |
| MIC29202BU           | Adj        | -40°C to +125°C    | TO-263-5   |
| MIC29204BM           | 5V and Adj | -40°C to +125°C    | SO-8       |
| MIC29204BN           | 5V and Adj | -40°C to +125°C    | 8-pin PDIP |

## Absolute Maximum Ratings

If Military/Aerospace specified devices are required, contact your local Micrel representative/distributor for availability and specifications.

Power Dissipation ..... Internally Limited, **Note 1**

Lead Temperature (Soldering, 5 seconds) ..... 260°C

Storage Temperature Range ..... -65°C to +150°C

Operating Junction Temperature Range  
..... -40°C to +125°C

Thermal Characteristics:

SOT-223  $\theta_{JC}$  ..... 15°C/W

TO-220  $\theta_{JC}$  ..... 3°C/W

TO-263  $\theta_{JC}$  ..... 3°C/W

8-Pin SOIC  $\theta_{JA}$  ..... **Note 1**

Input Supply Voltage ..... -20V to +60V

Operating Input Supply Voltage ..... 2V<sup>†</sup> to 26V

Adjust Input Voltage (Notes 9 and 10)  
..... -1.5V to +26V

Shutdown Input Voltage ..... -0.3V to +30V

Error Comparator Output Voltage ..... -0.3V to +30V

<sup>†</sup> Across the full operating temperature, the minimum input voltage range for full output current is 4.3V to 26V. Output will remain in-regulation at lower output voltages and low current loads down to an input of 2V at 25°C.

\* Junction temperatures

## Electrical Characteristics

Limits in standard typeface are for  $T_J = 25^\circ\text{C}$  and limits in **boldface** apply over the full operating temperature range. Unless otherwise specified,  $V_{IN} = V_{OUT} + 1\text{V}$ ,  $I_L = 1\text{mA}$ ,  $C_L = 10\mu\text{F}$ . Adjustable version are set for an output of 5V. The MIC29202  $V_{SHUTDOWN} \leq 0.7\text{V}$ . The eight pin MIC29204 is configured with the Adjust pin tied to the 5V Tap, the Output is tied to Output Sense ( $V_{OUT} = 5\text{V}$ ), and  $V_{SHUTDOWN} \leq 0.7\text{V}$ .

| Symbol                          | Parameter   | Conditions  | Min                         | Typical | Max         | Units                 |     |
|---------------------------------|---|---|-----------------------------|---------|-------------|-----------------------|-----|
| $V_O$                           | Output Voltage Accuracy                                       | Variation from factory trimmed $V_{OUT}$  | -1                          |         | 1           | %                     |     |
|                                 |   |   | <b>-2</b>                   |         | <b>2</b>    |                       |     |
|                                 |   | $1\text{mA} \leq I_L \leq 400\text{mA}$ , across temp. range  | <b>-2.5</b>                 |         | <b>2.5</b>  |                       |     |
|                                 |   | MIC2920A-12 and 29201-12 only   | -1.5                        |         | 1.5         |                       |     |
|                                 |   | $1\text{mA} \leq I_L \leq 400\text{mA}$ , across temp. range  | <b>-3</b>                   |         | <b>3</b>    |                       |     |
|                                 |   |   | <b>-4</b>                   |         | <b>4</b>    |                       |     |
| $\frac{\Delta V_O}{\Delta T}$   | Output Voltage Temperature Coef.                              | (Note 2)  |                             | 20      | <b>100</b>  | ppm/ $^\circ\text{C}$ |     |
|                                 |   | $V_{OUT} > 10\text{V}$ only   |                             | 80      | <b>350</b>  |                       |     |
| $\frac{\Delta V_O}{V_O}$        | Line Regulation   | $V_{IN} = V_{OUT} + 1\text{V}$ to 26V   |                             | 0.03    | 0.10        | %                     |     |
|                                 |   |   |                             |         | <b>0.40</b> |                       |     |
| $\frac{\Delta V_O}{V_O}$        | Load Regulation   | $I_L = 1$ to 250mA (Note 3)   |                             | 0.04    | 0.16        | %                     |     |
|                                 |   |   |                             |         | <b>0.30</b> |                       |     |
| $V_{IN} - V_O$                  | Dropout Voltage (Note 4)                                      | $I_L = 1\text{mA}$  |                             | 100     | 150         | mV                    |     |
|                                 |   | $I_L = 100\text{mA}$  |                             | 250     | <b>180</b>  |                       |     |
|                                 |   | $I_L = 250\text{mA}$  | $V_{OUT} > 10\text{V}$ only |         | 350         |                       |     |
|                                 |   | $I_L = 400\text{mA}$  | $V_{OUT} > 10\text{V}$ only |         | 370         |                       |     |
|                                 |   |   |                             |         | 500         |                       | 600 |
|                                 |   |   |                             | 450     | <b>750</b>  |                       |     |
| $I_{GND}$                       | Ground Pin Current (Note 5)                                   | $I_L = 1\text{mA}$  |                             | 140     | 200         | $\mu\text{A}$         |     |
|                                 |   | $I_L = 100\text{mA}$  |                             | 1.3     | 2           | mA                    |     |
|                                 |   | $I_L = 250\text{mA}$  |                             | 5       | 9           |                       |     |
|                                 |   | $I_L = 400\text{mA}$  |                             | 13      | 15          |                       |     |
|                                 |   |   |                             |         | <b>300</b>  |                       |     |
|                                 |   |   |                             |         | <b>2.5</b>  |                       |     |
|                                 |   |   |                             |         | <b>12</b>   |                       |     |
|                                 |   |   |                             |         | 15          |                       |     |
| $I_{GNDDO}$                     | Ground Pin Current at Dropout (Note 5)                        | $V_{IN} = 0.5\text{V}$ less than designed $V_{OUT}$<br>( $V_{OUT} \geq 3.3\text{V}$ )<br>$I_O = 1\text{mA}$ |                             | 180     | <b>400</b>  | $\mu\text{A}$         |     |
| $I_{LIMIT}$                     | Current Limit   | $V_{OUT} = 0\text{V}$<br>(Note 6)   |                             | 425     | 1000        | mA                    |     |
|                                 |   |   |                             |         | <b>1200</b> |                       |     |
| $\frac{\Delta V_O}{\Delta P_D}$ | Thermal Regulation  | (Note 7)  |                             | 0.05    | 0.2         | %/W                   |     |
| $e_n$                           | Output Noise Voltage (10Hz to 100kHz)<br>$I_L = 100\text{mA}$ | $C_L = 10\mu\text{F}$   |                             | 400     |             | $\mu\text{V RMS}$     |     |
|                                 |   | $C_L = 100\mu\text{F}$  |                             | 260     |             |                       |     |

**Electrical Characteristics** (Continued)**MIC29202, MIC29204**

| Parameter                                       | Conditions        | Min                   | Typ   | Max                   | Units  |
|---|-------------------|-----------------------|-------|-----------------------|--------|
| Reference Voltage                               | MIC29202          | 1.223<br><b>1.210</b> | 1.235 | 1.247<br><b>1.260</b> | V      |
| Reference Voltage                               | MIC29202 (Note 8) | <b>1.204</b>          |       | <b>1.266</b>          | V      |
| Reference Voltage                               | MIC29204          | 1.210<br><b>1.200</b> | 1.235 | 1.260<br><b>1.270</b> | V      |
| Reference Voltage                               | MIC29204 (Note 8) | <b>1.185</b>          |       | <b>1.285</b>          | V      |
| Adjust Pin Bias Current                         |                   |                       | 20    | 40<br><b>60</b>       | nA     |
| Reference Voltage Temperature Coefficient       | (Note 7)          |                       | 20    |                       | ppm/°C |
| Adjust Pin Bias Current Temperature Coefficient |                   |                       | 0.1   |                       | nA/°C  |

**Error Comparator**      **MIC29201, MIC29204**

|                         |  |                 |      |                     |         |
|-------------------------|--|-----------------|------|---------------------|---------|
| Output Leakage Current  | $V_{OH} = 26V$                         |                 | 0.01 | 1.00<br><b>2.00</b> | $\mu A$ |
| Output Low Voltage      | $V_{IN} = 4.5V$<br>$I_{OL} = 250\mu A$ |                 | 150  | 250<br><b>400</b>   | mV      |
| Upper Threshold Voltage | (Note 9)                               | 40<br><b>25</b> | 60   |                     | mV      |
| Lower Threshold Voltage | (Note 9)                               |                 | 75   | 95<br><b>140</b>    | mV      |
| Hysteresis              | (Note 9)                               |                 | 15   |                     | mV      |

**Shutdown Input**      **MIC29201, MIC29202, MIC29204**

|                                      |                        |            |     |                   |         |
|--------------------------------------|------------------------|------------|-----|-------------------|---------|
| Input Logic Voltage                  | Low (ON)<br>High (OFF) | <b>2.0</b> | 1.3 | <b>0.7</b>        | V       |
| Shutdown Pin Input Current           | $V_{SHUTDOWN} = 2.4V$  |            | 30  | 50<br><b>100</b>  | $\mu A$ |
|                                      | $V_{SHUTDOWN} = 26V$   |            | 450 | 600<br><b>750</b> | $\mu A$ |
| Regulator Output Current in Shutdown | (Note 10)              |            | 3   | 10<br><b>20</b>   | $\mu A$ |

**General Note:** Devices are ESD protected; however, handling precautions are recommended.

**Note 1:** Absolute maximum ratings indicate limits beyond which damage to the component may occur. Electrical specifications do not apply when operating the device outside of its rated operating conditions. The maximum allowable power dissipation is a function of the maximum junction temperature,  $T_{J(MAX)}$ , the junction-to-ambient thermal resistance,  $\theta_{JA}$ , and the ambient temperature,  $T_A$ . The maximum allowable power dissipation at any ambient temperature is calculated using:  $P_{(MAX)} = (T_{J(MAX)} - T_A) / \theta_{JA}$ . Exceeding the maximum allowable power dissipation will result in excessive die temperature, and the regulator will go into thermal shutdown. The junction to ambient thermal resistance of the MIC29204BM is 160°C/W mounted on a PC board.

**Note 2:** Output voltage temperature coefficient is defined as the worst case voltage change divided by the total temperature range.

**Note 3:** Regulation is measured at constant junction temperature using low duty cycle pulse testing. Changes in output voltage due to heating effects are covered by the thermal regulation specification.

**Note 4:** Dropout Voltage is defined as the input to output differential at which the output voltage drops 100mV below its nominal value measured at 1V differential. At low values of programmed output voltage, the minimum input supply voltage of 4.3V over temperature must be taken into account. The MIC2920A operates down to 2V of input at reduced output current at 25°C.

**Note 5:** Ground pin current is the regulator quiescent current. The total current drawn from the supply is the sum of the load current plus the ground pin current.

**Note 6:** The MIC2920A features fold-back current limiting. The short circuit ( $V_{OUT} = 0V$ ) current limit is less than the maximum current with normal output voltage.

**Note 7:** Thermal regulation is defined as the change in output voltage at a time T after a change in power dissipation is applied, excluding load or line regulation effects. Specifications are for a 200mA load pulse at  $V_{IN} = 20V$  (a 4W pulse) for  $T = 10ms$ .

**Note 8:**  $V_{REF} \leq V_{OUT} \leq (V_{IN} - 1V)$ ,  $4.3V \leq V_{IN} \leq 26V$ ,  $1mA < I_L \leq 400mA$ ,  $T_J \leq T_{JMAX}$ .

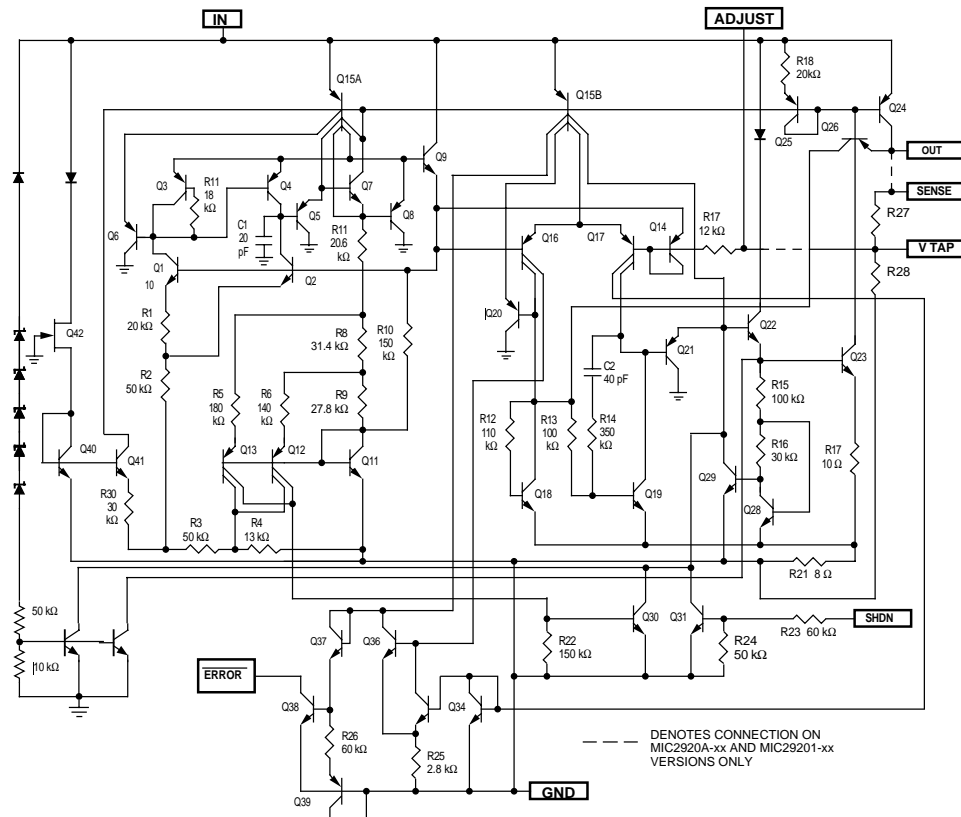
**Note 9:** Comparator thresholds are expressed in terms of a voltage differential at the Adjust terminal below the nominal reference voltage measured at 6V input. To express these thresholds in terms of output voltage change, multiply by the error amplifier gain =  $V_{OUT} / V_{REF} = (R1 + R2) / R2$ . For example, at a programmed output voltage of 5V, the Error output is guaranteed to go low when the output drops by  $95mV \times 5V / 1.235V = 384mV$ . Thresholds remain constant as a percent of  $V_{OUT}$  as  $V_{OUT}$  is varied, with the dropout warning occurring at typically 5% below nominal, 7.7% guaranteed.

**Note 10:**  $V_{SHUTDOWN} \geq 2V$ ,  $V_{IN} \leq 26V$ ,  $V_{OUT} = 0$ , with Adjust pin tied to 5V Tap or to the R1, R2 junction (see Figure 3) with  $R1 \geq 150k\Omega$ .

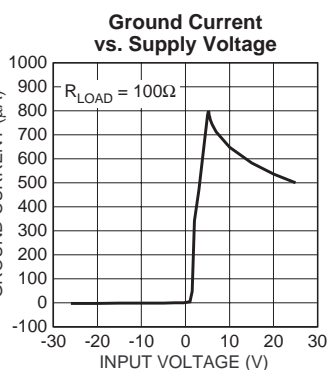
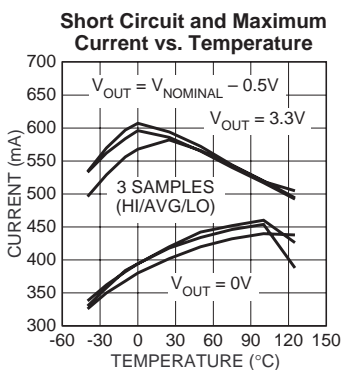
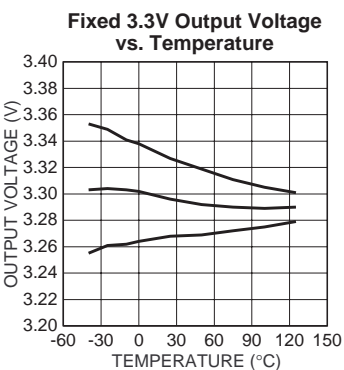
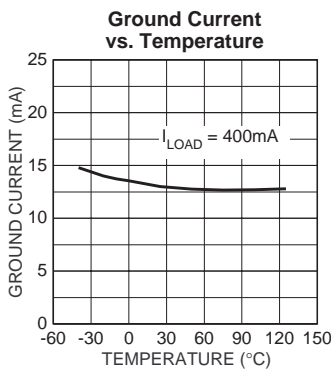
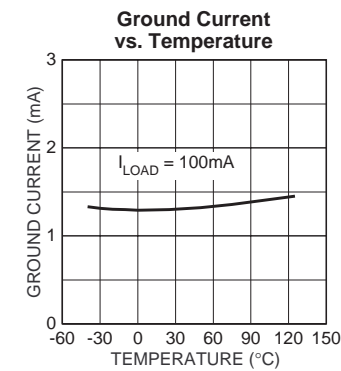
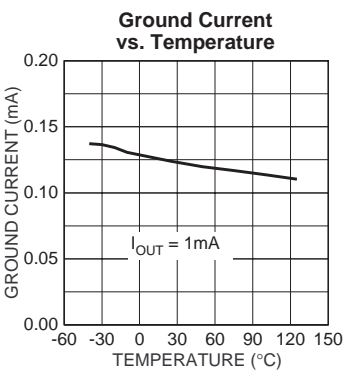
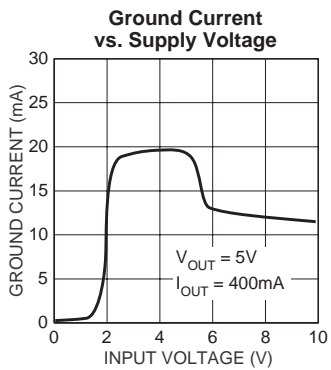
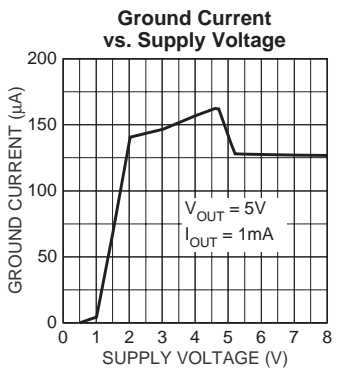
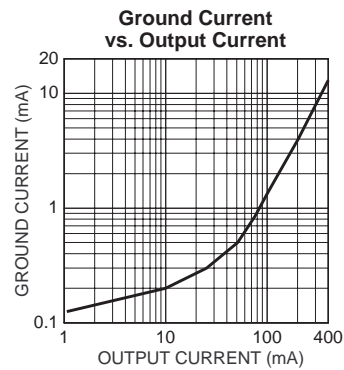
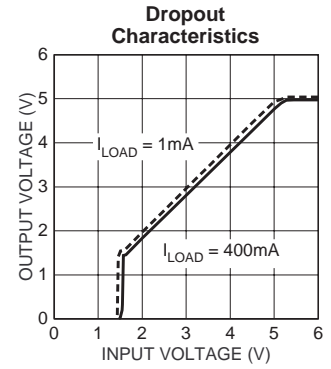
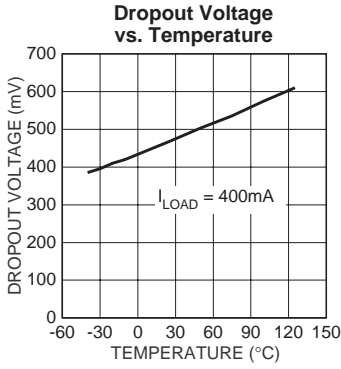
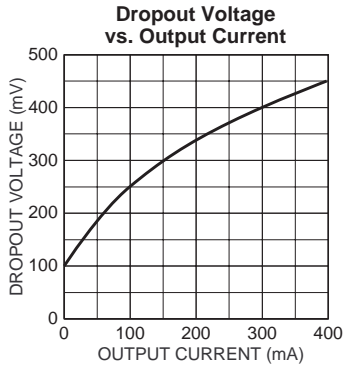
**Note 11:** When used in dual supply systems where the regulator load is returned to a negative supply, the output voltage must be diode clamped to ground.

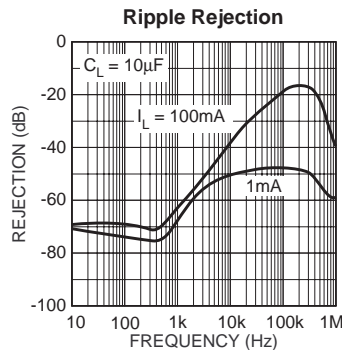
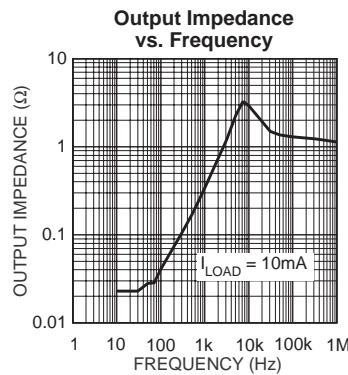
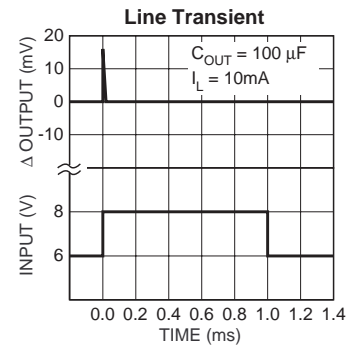
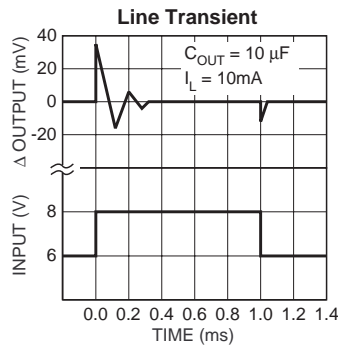
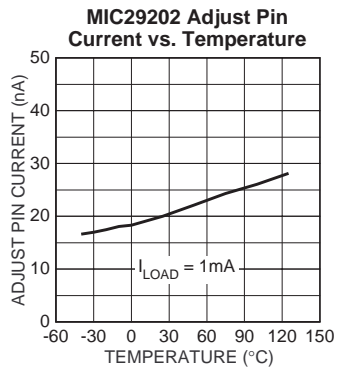
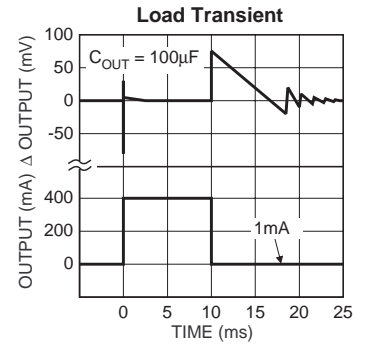
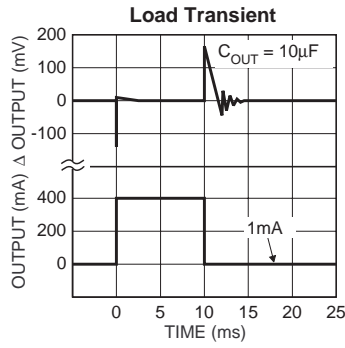
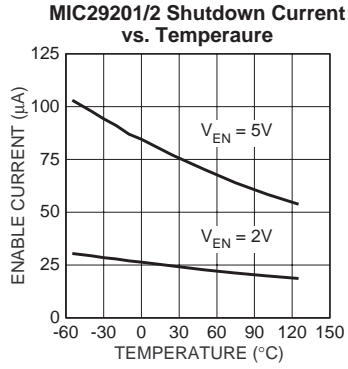
**Note 12:** Maximum positive supply voltage of 60V must be of limited duration (< 100ms) and duty cycle ( $\leq 1\%$ ). The maximum continuous supply voltage is 26V.

## Schematic Diagram



# Typical Characteristics





## Applications Information

### External Capacitors

A 10 $\mu$ F (or greater) capacitor is required between the MIC2920A output and ground to prevent oscillations due to instability. Most types of tantalum or aluminum electrolytics will be adequate; film types will work, but are costly and therefore not recommended. Many aluminum electrolytics have electrolytes that freeze at about  $-30^{\circ}\text{C}$ , so solid tantalums are recommended for operation below  $-25^{\circ}\text{C}$ . The important parameters of the capacitor are an effective series resistance of about 5 $\Omega$  or less and a resonant frequency above 500kHz. The value of this capacitor may be increased without limit.

At lower values of output current, less output capacitance is required for output stability. The capacitor can be reduced to 2.2 $\mu$ F for current below 10mA or 1 $\mu$ F for currents below 1mA. Adjusting the MIC29202/29204 to voltages below 5V runs the error amplifier at lower gains so that more output capacitance is needed. For the worst-case situation of a 500mA load at 1.23V output (Output shorted to Adjust) a 47 $\mu$ F (or greater) capacitor should be used.

The MIC2920A/29201 will remain in regulation with a minimum load of 1mA. When setting the output voltage of the MIC29202/29204 versions with external resistors, the current through these resistors may be included as a portion of the minimum load.

A 0.1 $\mu$ F capacitor should be placed from the MIC2920A input to ground if there is more than 10 inches of wire between the input and the AC filter capacitor or if a battery is used as the input.

### Error Detection Comparator Output (MIC29201/MIC29204)

A logic low output will be produced by the comparator whenever the MIC29201/29204 output falls out of regulation by more than approximately 5%. This figure is the comparator's built-in offset of about 75mV divided by the 1.235V reference voltage. (Refer to the block diagram on Page 1). This trip level remains "5% below normal" regardless of the programmed output voltage of the MIC29201/29204. For example, the error flag trip level is typically 4.75V for a 5V output or 11.4V for a 12V output. The out of regulation condition may be due either to low input voltage, extremely high input voltage, current limiting, or thermal limiting.

Figure 1 is a timing diagram depicting the ERROR signal and the regulated output voltage as the MIC29201/29204 input is ramped up and down. The ERROR signal becomes valid (low) at about 1.3V input. It goes high at about 5V input (the input voltage at which  $V_{\text{OUT}} = 4.75$ ). Since the MIC29201/29204's dropout voltage is load-dependent (see curve in Typical Performance Characteristics), the input voltage trip point (about 5V) will vary with the load current. The output voltage trip point (approximately 4.75V) does not vary with load.

The error comparator has an NPN open-collector output which requires an external pull-up resistor. Depending on

system requirements, this resistor may be returned to the 5V output or some other supply voltage. In determining a value for this resistor, note that while the output is rated to sink 250 $\mu$ A, this sink current adds to battery drain in a low battery condition. Suggested values range from 100k to 1M $\Omega$ . The resistor is not required if this output is unused.

### Programming the Output Voltage (MIC29202/29204)

The MIC29202/29204 may be programmed for any output voltage between its 1.235V reference and its 26V maximum rating, using an external pair of resistors, as shown in Figure 3.

The complete equation for the output voltage is

$$V_{\text{OUT}} = V_{\text{REF}} \times \{ 1 + R_1/R_2 \} - |I_{\text{FB}}| R_1$$

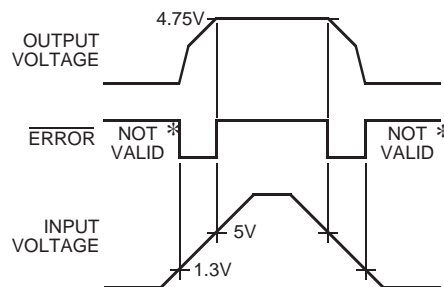
where  $V_{\text{REF}}$  is the nominal 1.235 reference voltage and  $I_{\text{FB}}$  is the Adjust pin bias current, nominally 20nA. The minimum recommended load current of 1 $\mu$ A forces an upper limit of 1.2M $\Omega$  on the value of  $R_2$ , if the regulator must work with no load (a condition often found in CMOS in standby),  $I_{\text{FB}}$  will produce a  $-2\%$  typical error in  $V_{\text{OUT}}$  which may be eliminated at room temperature by trimming  $R_1$ . For better accuracy, choosing  $R_2 = 100\text{k}$  reduces this error to 0.17% while increasing the resistor program current to 12 $\mu$ A. Since the MIC29202/29204 typically draws 110 $\mu$ A at no load with SHUTDOWN open-circuited, this is a negligible addition. The MIC29204 may be pin-strapped for 5V using the internal voltage divider by tying Pin 1 (output) to Pin 2 (sense) and Pin 7 (Adjust) to Pin 6 (V Tap).

### Configuring the MIC29201-3.3BM

For the MIC29201-3.3BM, the output (Pin 1) and sense pin (pin 2), *must* be connected to ensure proper operation. They are not connected internally.

### Reducing Output Noise

In reference applications it may be advantageous to reduce the AC noise present at the output. One method is to reduce the regulator bandwidth by increasing the size of the output



\* SEE APPLICATIONS INFORMATION

Figure 1. ERROR Output Timing



capacitor. This is relatively inefficient, as increasing the capacitor from 1μF to 220μF only decreases the noise from 430μV to 160μV<sub>RMS</sub> for a 100kHz bandwidth at 5V output. Noise can be reduced fourfold by a bypass capacitor across R<sub>1</sub>, since it reduces the high frequency gain from 4 to unity. Pick

$$C_{\text{BYPASS}} \cong \frac{1}{2\pi R_1 \cdot 200 \text{ Hz}}$$

or about 0.01μF. When doing this, the output capacitor must be increased to 10μF to maintain stability. These changes reduce the output noise from 430μV to 100μV rms for a 100kHz bandwidth at 5V output. With the bypass capacitor added, noise no longer scales with output voltage so that improvements are more dramatic at higher output voltages.

### Typical Applications

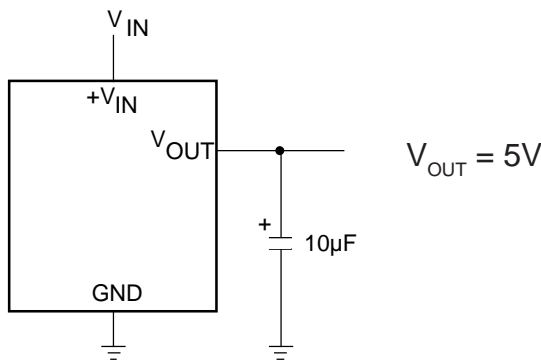
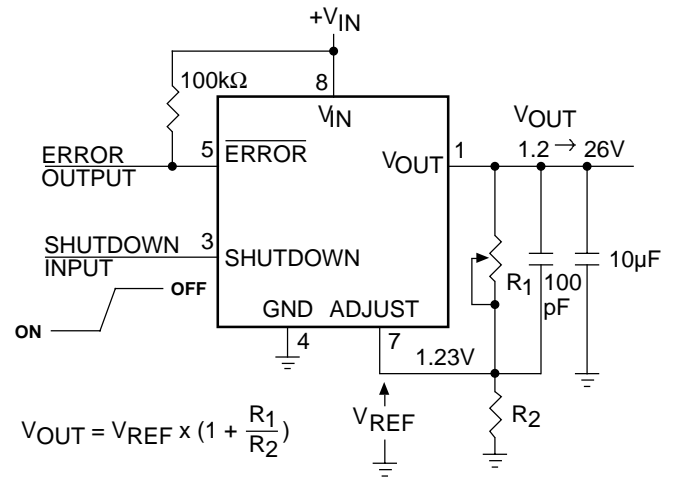


Figure 2. MIC2920A-5.0 Fixed +5V Regulator

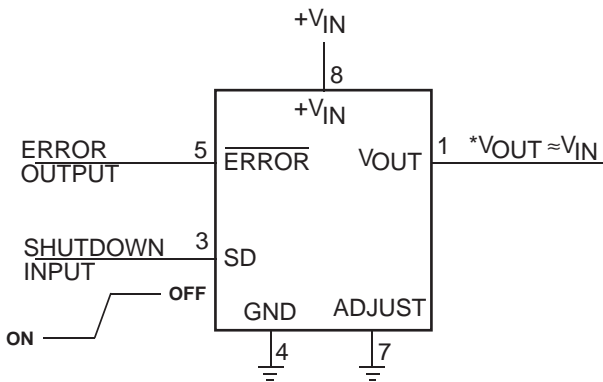
### Automotive Applications

The MIC2920A is ideally suited for automotive applications for a variety of reasons. It will operate over a wide range of input voltages with very low dropout voltages (40mV at light loads), and very low quiescent currents (100μA typical). These features are necessary for use in battery powered systems, such as automobiles. It is a “bulletproof” device with the ability to survive both reverse battery (negative transients up to 20V below ground), and load dump (positive transients up to 60V) conditions. A wide operating temperature range with low temperature coefficients is yet another reason to use these versatile regulators in automotive designs.



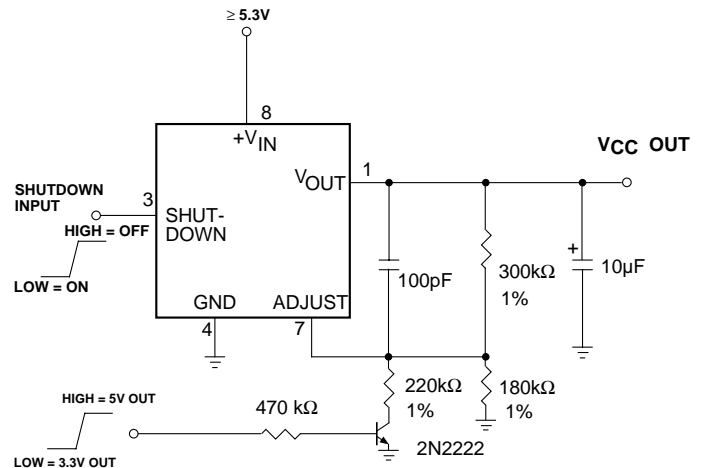
NOTE: PINS 2 AND 6 ARE LEFT OPEN

Figure 3. MIC29202/29204 Adjustable Regulator. Pinout is for MIC29204.



\*MINIMUM INPUT-OUTPUT VOLTAGE RANGES FROM 40mV TO 400mV, DEPENDING ON LOAD CURRENT.

Figure 4. MIC29204 Wide Input Voltage Range Current Limiter



PIN 3 LOW = ENABLE OUTPUT. Q1 ON = 3.3V, Q1 OFF = 5.0V.

Figure 5. MIC29202/29204 5.0V or 3.3V Selectable Regulator with Shutdown. Pinout is for MIC29204.