

M5293L

FLUORESCENT CHARACTER DISPLAY TUBE (-32V FIXED-VOLTAGE POWER SUPPLY) IC

DESCRIPTION

The M5293L is a semiconductor integrated circuits that is designed as a constant-voltage negative power supply. Since this high-voltage type integrated circuits accepts a maximum input voltage of -60V and provides a fixed output voltage of -32V, it serves, for instance, as an ideal fluorescent character display tube drive power supply. As the output voltage is fixed inside the integrated circuits, only a capacitor is needed as the external part. Further, the use of a small-size 5-pin SIP assures high packaging density for power supply circuits.

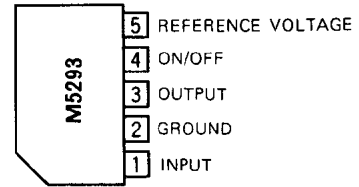
FEATURES

- High input voltage range $V_I = -20 \sim -60V$
- Fixed output voltage $V_O = -32V$ ($I_{LP} = -30mA$)
Variable with an external resistor . . . $V_O = -10 \sim -50V$
- Output ON/OFF control (Terminal ④)
- Built-in current-limiting circuit.
- Built-in overheat protection circuit.

APPLICATION

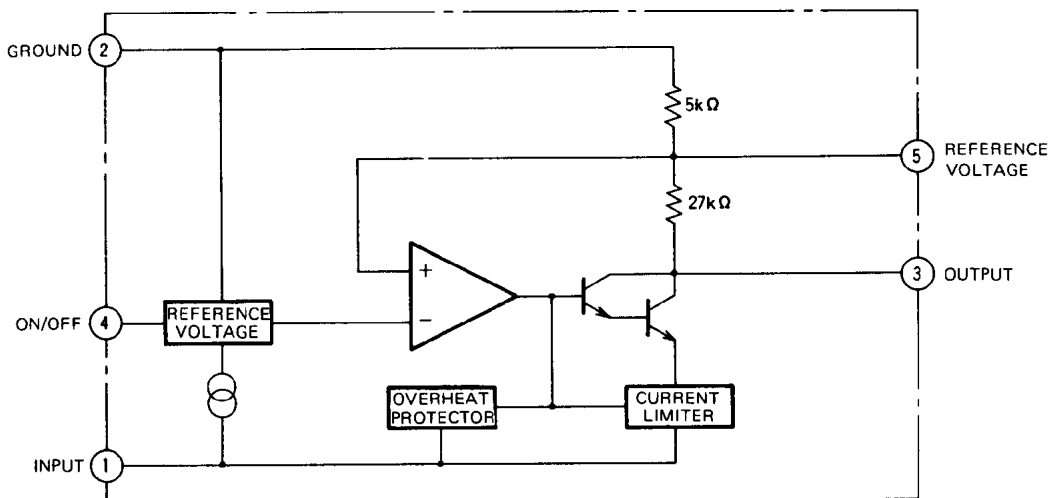
CD players, VTR, and other general electronic equipment

PIN CONFIGURATION (TOP VIEW)



Outline 5P5T

BLOCK DIAGRAM



**FLUORESCENT CHARACTER DISPLAY TUBE
(-32V FIXED-VOLTAGE POWER SUPPLY) IC**

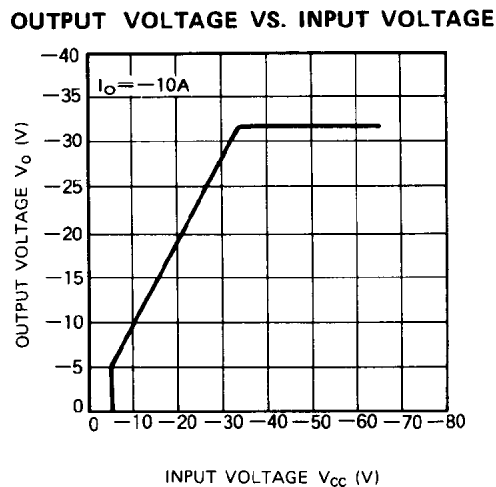
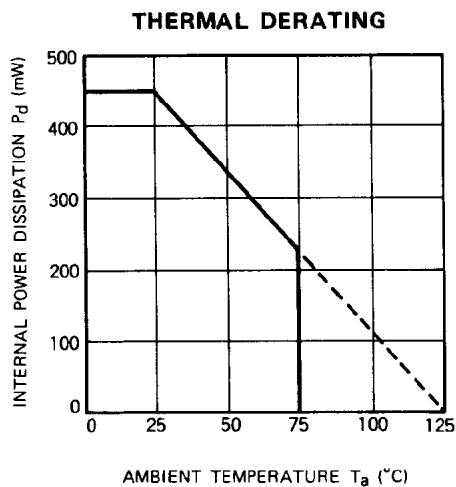
ABSOLUTE MAXIMUM RATINGS (Ta = 25°C, unless otherwise noted)

Symbol	Parameter	Conditions	Ratings	Unit
V _i	Input voltage		- 60	V
I _{LP}	Load current		- 30	mA
V _{DIF}	Input/output voltage differential		30	V
P _d	Internal power consumption		450	mW
K _θ	Thermal derating	Ta ≥ 25°C	4.5	mW/°C
Topr	Operating ambient temperature		- 20 ~ + 75	°C
Tstg	Storage temperature		- 55 ~ + 125	°C

ELECTRICAL CHARACTERISTICS (V_{IN} = -40V, I_O = -10mA, Ta = 25°C)

Symbol	Parameter	Test conditions	Limits			Unit
			Min	Typ	Max	
I _{CC}	Circuit current	Under no load		- 2.0	- 6	mA
V _O	Output voltage		- 30.0	- 32.0	- 34.0	V
Reg-in	Input variation	V _{IN} = - 40 ~ - 50V		0.05	0.2	%/V
Reg-LO	Load variation	I _O = - 1 ~ - 20mA		100	400	mV
RR	Ripple rejection ratio	C _{REF} = 0.1 μF, f = 120Hz	40	60		dB
V _{NO}	Output noise voltage	f = 20Hz ~ 100kHz		100		μV _{rms}
V _{O(off)}	Output cutoff voltage	- 0.3V ≤ V ₄ ≤ GND			0.1	V
V _{ref}	Reference voltage		- 4.65	- 5.0	- 5.35	V
V _{DIF}	Input/output voltage differential			1.5	3.5	V

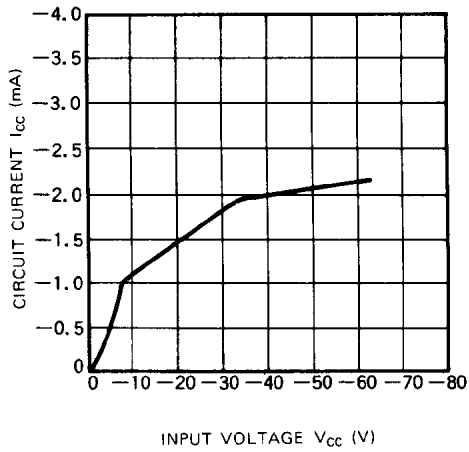
TYPICAL CHARACTERISTIC



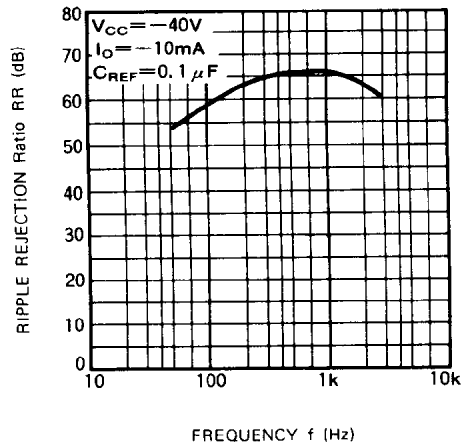
M5293L

FLUORESCENT CHARACTER DISPLAY TUBE (-32V FIXED-VOLTAGE POWER SUPPLY) IC

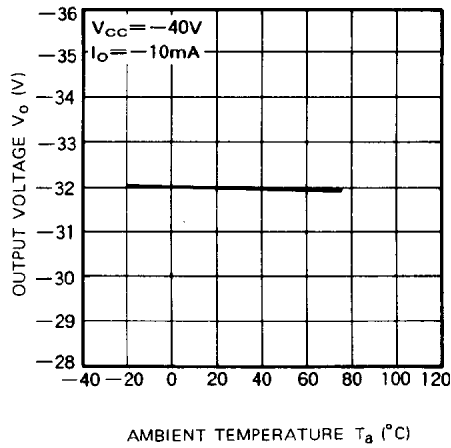
CIRCUIT CURRENT VS. INPUT VOLTAGE



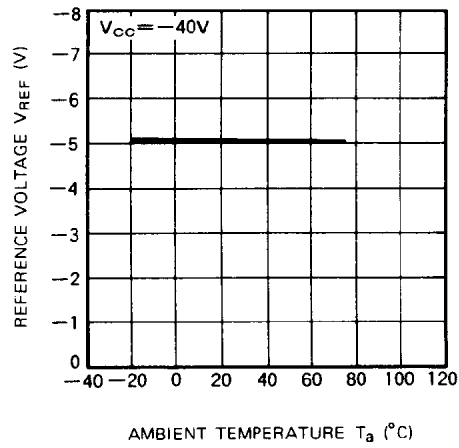
RIPPLE REJECTION RATIO



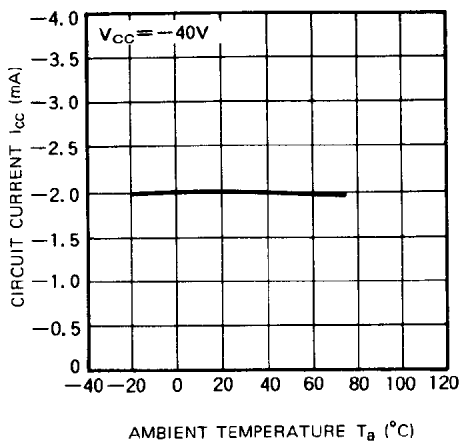
OUTPUT VOLTAGE VS. AMBIENT TEMPERATURE



REFERENCE VOLTAGE VS. AMBIENT TEMPERATURE



CIRCUIT CURRENT VS. AMBIENT TEMPERATURE

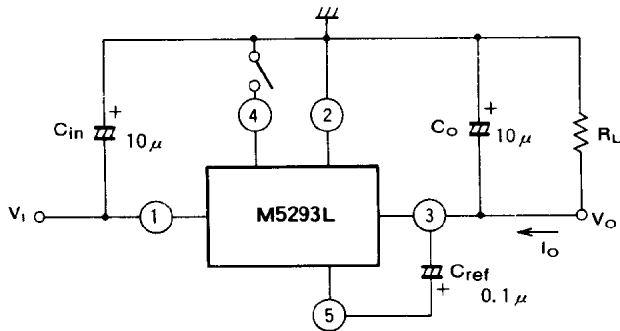


M5293L

FLUORESCENT CHARACTER DISPLAY TUBE (-32V FIXED-VOLTAGE POWER SUPPLY) IC

APPLICATION EXAMPLES

(1) Standard Application Circuit Example



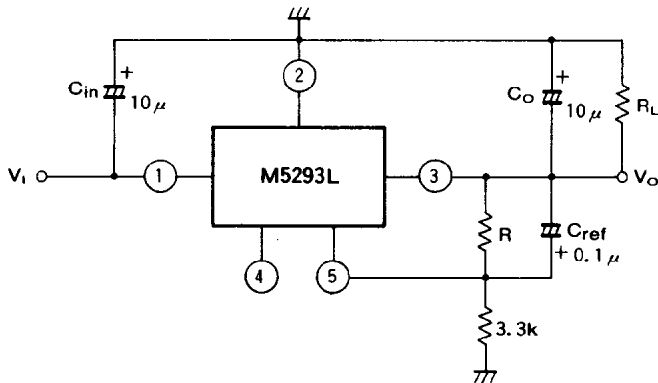
When terminal ④ is set at the ground level (0 to -0.3V), an output voltage of 0V can be obtained.

C_{REF}

Connection of this capacitor provides ripple rejection ratio improvement, output noise voltage improvement, and output voltage rise time constant adjustment (use a 1000pF to 1µF capacitor).

NOTE: Ensure that the capacitance of the employed capacitor does not significantly vary with the temperature.

(2) Output Voltage Variation Procedure



$$V_O = \left(1 + \frac{R//27k}{5k//3.3k}\right) \cdot V_{REF}$$

$$R = \frac{1}{\frac{1}{\left(\frac{V_O}{V_{REF}} - 1\right) \cdot 5k//3.3k} - \frac{1}{27k}}$$

$$(V_{REF} = 5.00V, 5k//3.3k = 1.988k)$$

(BUILT-IN RESISTORS
BETWEEN TERMINALS ② AND ⑤: 5kΩ
BETWEEN TERMINALS ③ AND ⑤: 27kΩ)