



STANDARD
MICROSYSTEMS
CORPORATION

FDC37C957FR

Ultra I/O Controller for Portable Applications

FEATURES

- Configuration Register Set Compatible with ISA Plug-and-Play Standard (Version 1.0a)
- Serial IRQ meets IRQ Specification for PCI Systems
 - Quiet (Active) Mode
 - Continuous (Idle) Mode
- Floppy Disk Interface on Parallel Port
- 8051 Controller uses Parallel Port to Reprogram the Flash ROM
- IR Interface Fully Compliant to IrDA 1.1 (Fast IR)
 - TEMIC/IBM Module Support
 - HP Module Support
- ISA Host Interface
 - 16-bit Address Qualification
 - 8-bit Data bus
 - Zero Wait-State I/O Register Access
 - All Write Only Registers are Shadowed
 - IOCHRDY for ECP and Flash Cycles
 - 8 Direct IRQs Including nSMI
 - 2 8-bit DMA Channels
- System Flash Interface (256Kx8)
 - 8051/Host CPU Multiplexed Interface
 - Eight 32K pages - 8051 Keyboard BIOS
 - Four 64K pages - Host System BIOS
- 8051 Keyboard and System Controller
 - Provides System Power Management
 - System Watch Dog Timer (WDT)
 - 8042 Style Host Interface
 - Asynchronous Access to Two Data Registers and One Status Register
 - Supports Interrupt and Polling Access
 - 2K Internal ROM, nEA Pin Select
- 32K Bank Switchable External Flash Rom Interface.
- 256 Bytes Data RAM
- Access to On-Chip Control Registers via MOVX External Data Access Commands
- Access to RTC and CMOS Registers
- Up to 16x8 Keyboard Scan Matrix
- Two 16 Bit Timer/Counter
- Integrated TX/RX Serial Interface
- Six 8051 Interrupt Sources
- 16 8-bit, Host/8051 Mailbox Registers
- 19 Maskable Hardware Wake-Up Events Supported
- Fast GATEA20
- Fast CPU_RESET
- Multiple Clock Sources and Frequencies
- IDLE and SLEEP Modes
- Real Time Clock
 - MC146818 and DS1287 Compatible
 - 256 Bytes of Battery Backed CMOS in Two Banks of 128 Bytes
 - 128 Bytes of CMOS RAM Lockable in 4x32 Byte Blocks
 - 12 and 24 Hour Time Format
 - Binary and BCD Format
 - <1ua Standby Current (typ)
- Access Bus Interface
 - 8584 Style Interface
- PS/2 Ports
 - Four Independent Hardware Driven Ports
- General Purpose I/O
 - 22 I/O Pins
 - 12 Out Pins
 - 8 In Pins

- Two Pulse Width Modulators
 - Independent Clock Rates
 - 7-bit Duty Cycle Granularity
- Intelligent Auto Power Management
- 2.88MB Super I/O Floppy Disk Controller
 - Relocatable to 480 Different Addresses
 - 13 IRQ Options
 - 4 DMA Options
 - Open Drain / Push-Pull Configurable Output Drivers
 - Licensed CMOS 765B Floppy Disk Controller
 - Advanced Digital Data Separator
 - Software and Register Compatible with SMC's Proprietary 82077AA Compatible Core
 - Sophisticated Power Control Circuitry (PCC) Including Multiple Powerdown Modes for Reduced Power Consumption
 - Supports Two Floppy Drives Directly
 - 24 mA AT Bus Drivers
 - Low Power CMOS Design
- Licensed CMOS 765B Floppy Disk Controller Core
 - Supports Vertical Recording Format
 - 16 Byte Data FIFO
 - 100% IBM® Compatibility
 - Detects All Overrun and Underrun Conditions
 - 48 mA Drivers and Schmitt Trigger Inputs
 - DMA Enable Logic
 - Data Rate and Drive Control Registers
- Enhanced Digital Data Separator
 - Low Cost Implementation
 - No Filter Components Required
 - 2 Mbps, 1 Mbps, 500 Kbps, 300 Kbps, 250 Kbps Data Rates
 - Programmable Precompensation Modes
- Multi-Mode™ Parallel Port with ChiProtect™
 - Relocatable to 480 Different Addresses
 - 13 IRQ Options
 - 4 DMA Options
 - Enhanced Mode
 - Standard Mode:
 - IBM PC/XT, PC/AT, and PS/2™ Compatible Bidirectional Parallel Port
 - Enhanced Parallel Port (EPP) Compatible - EPP 1.7 and EPP 1.9 (IEEE 1284 Compliant)
 - High Speed Mode
 - Microsoft and Hewlett Packard Extended Capabilities Port (ECP) Compatible (IEEE 1284 Compliant)
 - Incorporates ChiProtect™ Circuitry for Protection Against Damage Due to Printer Power-On
 - 12 mA Output Drivers
- Serial Ports
 - Relocatable to 480 Different Addresses
 - 13 IRQ Options
 - Two High Speed NS16C550 Compatible UARTs with Send/Receive 16 Byte FIFOs
 - Programmable Baud Rate Generator
 - Modem Control Circuitry Including 230K and 460K Baud
 - IrDA, HP-SIR, ASK-IR Support
- 208 Pin QFP/TQFP Package Options

TABLE OF CONTENTS

GENERAL DESCRIPTION	1
PIN CONFIGURATION	2
DESCRIPTION OF PIN FUNCTIONS	3
ALTERNATE FUNCTION PIN LIST	13
BUFFER TYPE DESCRIPTIONS	15
FUNCTIONAL DESCRIPTION	16
AUTO POWER MANAGEMENT	20
FLOPPY DISK CONTROLLER	26
FDC INSTRUCTION SET	53
FDC DATA TRANSFER COMMANDS	65
FDC CONTROL COMMANDS	74
COMPATIBILITY	82
SERIAL PORT (UART)	85
REGISTER DESCRIPTION	85
PROGRAMMABLE BAUD RATE GENERATOR	95
FIFO INTERRUPT MODE OPERATION	97
FIFO POLLED MODE OPERATION	98
NOTES ON SERIAL PORT FIFO MODE OPERATION	102
INFARED COMMUNICATIONS CONTROLLER (IRCC)	105

INTEGRATION OF IRCC LOGIC INTO ORION DEVICE	106
IRRX / IRTX PIN ENABLE	106
IR REGISTERS - LOGICAL DEVICE 5	107
IR DMA CHANNELS	108
IR IRQS	108
PARALLEL PORT	109
PARALLEL PORT INTERFACE MULTIPLEXOR	135
HOST (LEGACY) PARALLEL PORT INTERFACE (FDC37C957FR STANDARD)	136
PARALLEL PORT FDC INTERFACE	136
PARALLEL PORT - 8051 CONTROL (FDC37C957FR STANDARD)	137
8051 EMBEDDED CONTROLLER	138
FEATURES	138
8051 FUNCTIONAL OVERVIEW	138
8051 MEMORY MAP	142
8051 CONTROL REGISTERS	147
WATCH DOG TIMER	162
SHARED FLASH INTERFACE	164
8051 SYSTEM POWER MANAGEMENT	169
KEYBOARD CONTROLLER	179
MAILBOX REGISTER INTERFACE	192
PS/2 INTERFACE DESCRIPTION	195
ACCESS BUS INTERFACE DESCRIPTION	196

LED CONTROLS	200
PULSE WIDTH MODULATORS	201
REAL TIME CLOCK CMOS ACCESS	202
8051 CONTROLLED PARALLEL PORT	204
8051 CONTROLLED IR PORT	207
GENERAL PURPOSE I/O (GPIO)	208
MULTIPLEXED PINS	214
REAL TIME CLOCK	222
VCC1 POR	224
INTERNAL REGISTERS:	225
TIME CALENDAR AND ALARM	226
UPDATE CYCLE	228
CONTROL AND STATUS REGISTERS	229
INTERRUPTS	233
FREQUENCY DIVIDER	233
PERIODIC INTERRUPT SELECTION	233
POWER MANAGEMENT	234
ACCESS BUS	236
BACKGROUND	236
REGISTER DESCRIPTION	236
PS/2 DEVICE INTERFACE	242
PS/2 LOGIC OVERVIEW	242

PS/2 EMULATION LOGIC REGISTER OPERATIONAL DESCRIPTION.243
SERIAL INTERRUPTS	247
FDC37C957FR CONFIGURATION	251
CONFIGURATION ELEMENTS251
CONFIGURATION REGISTERS254
OPEN MODE REGISTERS	277
TYPICAL SEQUENCE OF CONFIGURATION OPERATION	280
APPENDIX A (CONFIGURATION SECTION)	281
ELECTRICAL SPECIFICATIONS	285
TIMING DIAGRAMS	290
LOAD CAPACITANCE	290

GENERAL DESCRIPTION

The FDC37C957FR incorporates an 8051 based keyboard controller; a Flash Interface; four PS/2 ports; real-time clock; SMC's true CMOS 765B floppy disk controller with advanced digital data separator and 16 byte data FIFO; two 16C550 compatible UARTs, the second UART contains a Synchronous Communications Engine to provide for IrDA Ver 1.1 (Fast IR) compliance; one Multi-Mode parallel port which includes ChiProtect™ circuitry plus EPP and ECP support; 8584 style Access Bus interface; Serial IRQ peripheral agent interface; General Purpose I/O; Two independent pulse width modulators; on-chip 24 mA AT bus drivers and two floppy direct drive support. The true CMOS 765B core provides 100% compatibility with IBM PC/XT and PC/AT architectures in addition to providing data overflow and underflow protection. The SMC advanced digital data separator incorporates SMC's patented data separator technology, allowing for ease of testing and use. Both on-chip UARTs are compatible with the NS16C550. The parallel port is compatible with IBM PC/AT architecture, as well as EPP and ECP. The 8051 controller can also take control of the parallel port interface to provide remote diagnostics or "Flashing" of the Flash memory. The FDC37C957FR has three separate power

planes which allows it to provide "instant on" and system power management functions. Additionally, the FDC37C957FR incorporates sophisticated power control circuitry (PCC). The PCC supports multiple low power down modes.

The FDC37C957FR's configuration register set is compatible with the ISA Plug-and-Play Standard (Version 1.0a) and provides the functionality to support Windows '95. Through internal configuration registers, each of the FDC37C957FR's logical device's I/O address, DMA channel and IRQ channel may be programmed. There are 480 I/O address location options, 13 IRQ options, and two DMA channel options for each logical device.

The FDC37C957FR does not require any external filter components and is, therefore, easy to use and offers lower system cost and reduced board area. The FDC37C957FR is software and register compatible with SMC's proprietary 82077AA core.

IBM, PC/XT and PC/AT are registered trademarks and PS/2 is a trademark of International Business Machines Corporation
SMC is a registered trademark and Ultra I/O, ChiProtect, and Multi-Mode are trademarks of Standard Microsystems Corporation

PIN CONFIGURATION

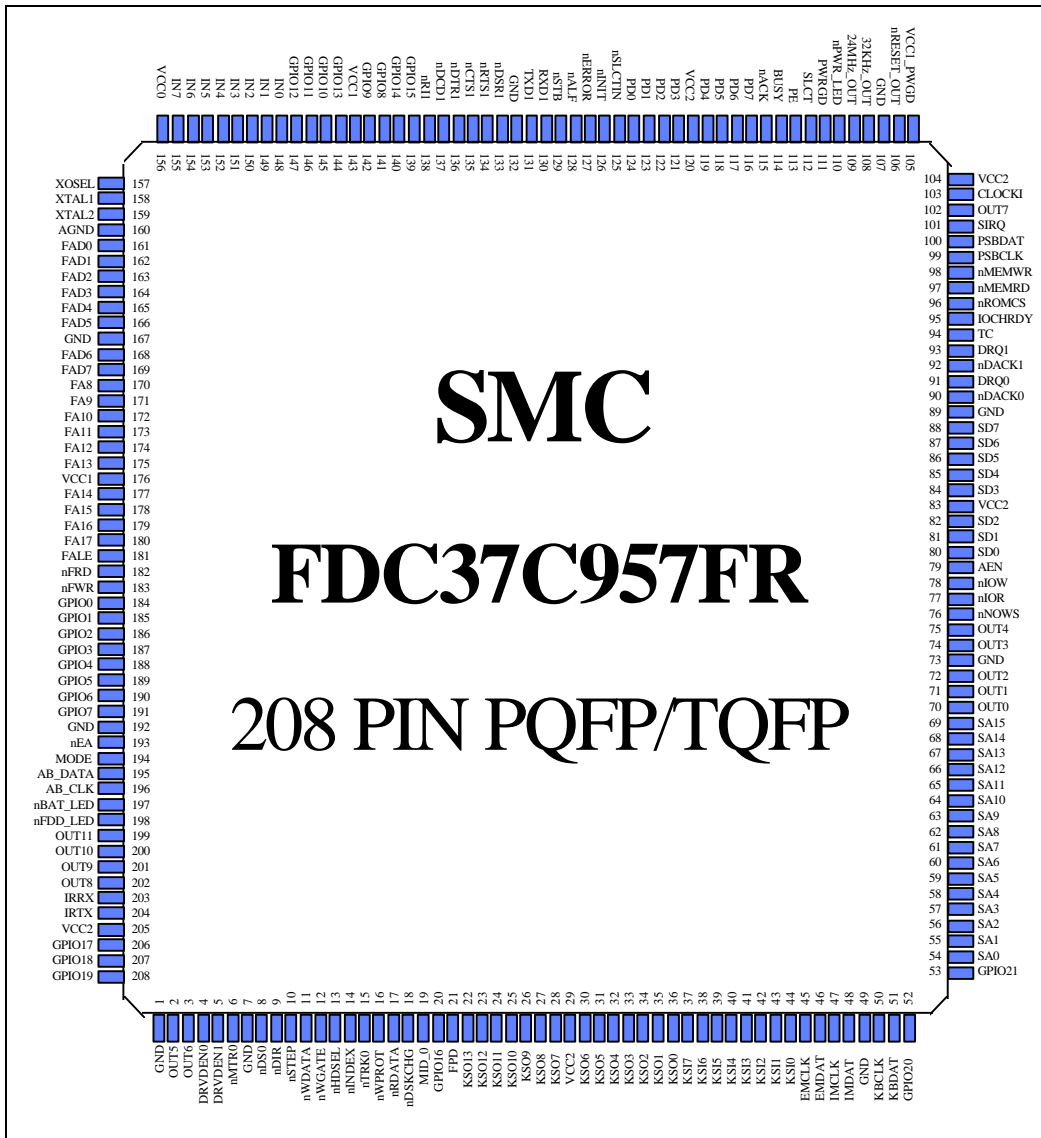


FIGURE 1 - FDC37C957FR PIN CONFIGURATION

DESCRIPTION OF PIN FUNCTIONS

Pin #	Name	Description	Supply Voltage	Type
HOST (ISA) INTERFACE				
80:82, 84:88	SD[0:7]	System Data Bus	VCC2	I/O24
54:69	SA[0:15]	System Address Bus	VCC2	I
96	nROMCS	ROM Chip select	VCC2	I
79	AEN	Address Enable (DMA master has bus control)	VCC2	I
95	IOCHRDY	I/O Channel Ready	VCC2	OD24
91,93, 202, 201	DRQ[0:3]/ OUT9,8	DMA Requests	VCC2	O24
90,92, 207, 208	nDACK[0:3]/ GPIO18,19	DMA Acknowledge	VCC2	I
94	TC	Terminal Count	VCC2	I
77	nIOR	I/O Read	VCC2	I
78	nIOW	I/O Write	VCC2	I
97	nMEMRD	Memory Read	VCC2	I
98	nMEMWR	Memory Write	VCC2	I
70	IRQ6(FDC)/ OUT0	Floppy Disk Interrupt Request/ Generic Output 0	VCC2	O24
71	nIRQ8/ OUT1	Active low Interrupt Request 8/ Generic Output 1	VCC2	O24
72	IRQ7(PP)/ OUT2	Parallel Port Interrupt Request/ Generic Output 2	VCC2	O24
74	IRQ12(M)/ OUT3	Mouse Interrupt Request/ Generic Output 3	VCC2	O24
75	IRQ1(KB)/ OUT4	Keyboard Interrupt Request/ Generic Output 4	VCC2	O24
76	nNOWS	No Wait State	VCC2	OD24

Pin #	Name	Description	Supply Voltage	Type
FLASH ROM/ Memory Map Interface				
161:166, 168:169	FAD[0:7]	Flash Address/Data[7:0] Bus	VCC1	I/O8
170:175, 177:180	FA[8:17]	Flash Address[17:8]	VCC1	O8
182	nFRD	Flash MEM READ	VCC1	O8
183	nFWR	Flash MEM WRITE	VCC1	O8
181	FALE	Flash Address latch Enable	VCC1	O8
Keyboard				
36:30,28: 22	KSO[0:13]	Keyboard Scan Outputs(14*8=112) Configuring GPIO4 and GPIO5 as KSO14 and KSO15 yields a scan matrix of 16x8=128.	VCC1	OD4
44:37	KSI[0:7]	Keyboard Scan Inputs	VCC1	ISP
193	nEA	External Access for 2K ROM	VCC1	I
45	EMCLK	EM Serial Clk	VCC2	I/OD 24
46	EMDAT	EM Serial Data	VCC2	I/OD 24
47	IMCLK	IM Serial Clk	VCC2	I/OD 24
48	IMDAT	IM Serial Data	VCC2	I/OD 24
50	KBCLK	KBD Serial Clk	VCC2	I/OD 24
51	KBDAT	KBD Serial Data	VCC2	I/OD 24
52	PS2CLK/ 8051RX/ GPIO[20]	PS2 Serial Clk	VCC2	I/OD24

Pin #	Name	Description	Supply Voltage	Type
53	PS2DAT/ 8051TX/ GPIO[21]	PS2 Serial Data	VCC2	I/OD24
Serial IRQ / UART IRQs				
101	SIRQ / IRQ3(UA1)	Serial Interrupt UART1 Interrupt	VCC2	I/O24 /O24
99	PSBCLK	PCI Clock input	VCC2	I
100	PSBDAT	UART2 Interrupt	VCC2	I/O24 /O24
FDD INTERFACE				
<p>The following FDC output pins can be configured as either Open Drain outputs capable of sinking 24mA (OD24) or as push-pull outputs capable of driving 12mA and sinking 24mA (O24). The FDC output pins must tristate when the FDC is in powerdown mode (it is required that the board designer provide external pull-up resistors on these output pins).</p>				
17	nRDATA	Read Disk Data	VCC2	IS
12	nWGATE	Write Gate	VCC2	O24 / OD24
11	nWDATA	Write Disk Data	VCC2	O24 / OD24
13	nHDSEL	Head Select (1 = side 0)	VCC2	O24 / OD24
9	nDIR	Step Direction (1 = out)	VCC2	O24 / OD24
10	nSTEP	Step Pulse	VCC2	O24 / OD24
18	nDSKCHG	Disk Change	VCC2	IS

Pin #	Name	Description	Supply Voltage	Type
8	nDS0	Drive Select 0	VCC2	O24 / OD24
6	nMTR0	Motor On 0	VCC2	O24 / OD24
2	nDS1 / OUT5	Drive Select 1 / Output 5	VCC2	O24 / OD24 O24
3	nMTR1 / OUT6	Motor On 1 / Output 6	VCC2	O24 / OD24 O24
16	nWPROT	Write Protected	VCC2	IS
15	nTRK0	Track 0	VCC2	IS
14	nINDEX	Index Pulse Input	VCC2	IS
4:5	DRV DEN[0:1]	Drive Density Select [0:1]	VCC2	O24 / OD24
19	MID[0]	Media ID 0 input. In floppy enhanced mode 2 this input is the media ID [0] input.	VCC2	IS
20	MID[1]/ GPIO16	Media ID 0 input. In floppy enhanced mode 2 this input is the media ID [1] input. General Purpose I/O	VCC2	IS I/O8
21	FPD	Floppy Power Down output control. This is the output of three power down modes of the floppy (3F4, auto-power down, config).	VCC2	O8
SERIAL PORT 1 INTERFACE				
130	RXD1	Receive Serial Data 1	VCC2	I
131	TXD1	Transmit Serial Data 1	VCC2	O4

Pin #	Name	Description	Supply Voltage	Type
134	nRTS1	Request to Send 1	VCC2	O4
135	nCTS1	Clear to Send 1	VCC2	I
136	nDTR1	Data Terminal Ready 1	VCC2	O4
133	nDSR1	Data Set Ready 1	VCC2	I
137	nDCD1	Data Carrier Detect 1	VCC2	I
138	nRI1	Ring Indicator 1	VCC1	I
SERIAL PORT 2 INTERFACE				
141	RXD2 / GPIO8	Receive Serial Data 2/ General Purpose I/O 8	VCC1	I / I/O8
142	TXD2 / GPIO9	Transmit Serial Data 2/ General Purpose I/O 9	VCC1	O8 / I/O8
145	nRTS2 / GPIO10	Request to Send 2 / General Purpose I/O 10	VCC1	O8 / I/O8
146	nCTS2 / GPIO11	Clear to Send 2 / General Purpose I/O 11	VCC1	I / I/O8
147	nDTR2 / GPIO12	Data Terminal Ready2 / General Purpose I/O 12	VCC1	O8 / I/O8
144	nDSR2 / GPIO13	Data Set Ready 2 / General Purpose I/O 13	VCC1	I / I/O8
140	nDCD2 / GPIO14	Data Carrier Detect 2 / General Purpose I/O 14	VCC1	I / I/O8
139	nRI2 / GPIO15	Ring Indicator 2 / General Purpose I/O 15	VCC1	I / I/O8
PARALLEL PORT INTERFACE				
124:121, 119:116	PD[0:7]	Parallel Port Data Bus	VCC2	I/O24
125	nSLCTIN	Printer Select	VCC2	OD24/ O24
126	nINIT	Initiate Output	VCC2	OD24/ O24

Pin #	Name	Description	Supply Voltage	Type
128	nALF	Auto Line Feed	VCC2	OD24/ O24
129	nSTB	Strobe Signal	VCC2	OD24/ O24
114	BUSY	Busy Signal	VCC2	I
115	nACK	Acknowledge Handshake	VCC2	I
113	PE	Paper End	VCC2	I
112	SLCT	Printer Selected	VCC2	I
127	nERROR	Error at Printer	VCC2	I
RTC				
158	XTAL1	32Khz Crystal Input	VCC0	ICLK2
159	XTAL2	32Khz Crystal Output	VCC0	OCLK2
Miscellaneous				
102	nSMI / OUT7	System Management Interrupt Output 7	VCC2	O24
108	32KHz_OUT	32KHz Out -- The 32KHz output is enabled / disabled by setting / clearing bit-0 of the Output Enable 8051 memory mapped register. When disabled the 32KHz_OUT pin is driven low. The 32KHz_OUT pin defaults to the disabled state on VCC1 POR.	VCC1	O8
109	24MHz_OUT	Programmable Clock Output. 1.8432MHz (default = 24MHz / 13) 14.318MHz 16MHz 24MHz 48MHz	VCC2	O24

Pin #	Name	Description	Supply Voltage	Type
103	CLOCKI	14.318Mhz Clock Input	VCC2	ICLK
195	AB_DATA	AB Serial Data	VCC1	I/OD8
196	AB_CLK	AB Clock	VCC1	I/OD8
194	MODE	Set Configuration register address	VCC1	I
157	XOSEL	Test Mode Enable Input Pin. XOSEL = 1 is required to qualify all pin defined test modes. XOSEL = 0 prevents the pin test modes from ever being invoked.	VCC1	I
203	IRRX	Infrared Receive	VCC2	I
204	IRTX	Infrared Transmit	VCC2	O8
200	PWM0 / OUT10	Pulse Width Modulator 0 Output A	VCC2	O24
199	PWM1 / OUT11	Pulse Width Modulator 1 Output B	VCC2	O24
105	VCC1_PWGD	VCC1 Power Good Input pin. The trailing edge of VCC1 POR is released 20ms from the assertion of this pin. If this pin is pulled low while VCC1 is valid, then VCC1 POR will be asserted and held until 20ms from re-assertion of this pin. This pin has an internal weak (90uA) pull-up to VCC1.	VCC1	I
106	nRESET_OUT	System reset (active low)	VCC2	O8
197	nBAT_LED	Battery LED (0=on)	VCC1	OD24
110	nPWR_LED	Power LED (0=on)	VCC1	OD24

Pin #	Name	Description	Supply Voltage	Type
198	nFDD_LED	Floppy LED. This pin is asserted whenever either DRVSEL1 or DRVSEL0 is asserted or controlled by the 8051. (0=on)	VCC1	OD24
111	PWRGD	Powergood	VCC2	I
148	WK_EE4 / IN0	Wakeup event	VCC1	I
149	WK_EE2 / IN1	Wakeup event	VCC1	I
150	WK_EE3 / IN2	Wakeup event	VCC1	I
151	nGPWKUP / IN3	Wakeup event	VCC1	I
152	WK_HL1 / IN4	Wakeup event	VCC1	I
153	WK_HL2 / IN5	Wakeup event	VCC1	I
154	WK_HL6 / IN6	Wakeup event	VCC1	I
155	WK_EE1 / IN7	Wakeup event	VCC1	I
184	WK_HL3 / GPIO0	Wakeup event	VCC1	I / I/O8
185	WK_HL4 / GPIO1	Wakeup event	VCC1	I / I/O8
186	WK_HL5 / GPIO2	Wakeup event	VCC1	I / I/O8
187	TRIGGER / GPIO3	Interrupt 1 event	VCC1	I / I/O8
184:191, 141:142, 145,146, 147, 144,140, 139	GPIO[0:7] GPIO[8:9,10] GPIO[11,12, 13] GPIO[14,15]	General Purpose Inputs/Outputs	VCC1	I/O8
20, 206:208	GPIO16 GPIO17 - GPIO19	General Purpose Inputs/Outputs	VCC2	IS/O8 I/O8
52:53	GPIO20 - GPIO21	General Purpose Inputs/Outputs	VCC2	I / OD24

Pin #	Name	Description	Supply Voltage	Type
2:3	OUT5-OUT6	Output 5 - 6	VCC2	O24
70:72, 74:75, 102, 202:199	OUT0-OUT2, OUT3-OUT4, OUT7 OUT8 - OUT11	Outputs 0 - 4, 7-9, A, B	VCC2	O24
148:155	IN0-IN7	Generic Inputs	VCC1	I

Table 1 - Power Pin List

Bias Pins		
156	VCC0	RTC Supply Voltage
143,176	VCC1	8051 + AB +4.7V Supply Voltage
29,83,104, 120,205	VCC2	Core +5V Supply Voltage
160	AGND	Analog Ground for VCC0.
1, 7, 49, 73, 89, 107, 132, 167, 192	GND	Ground

ALTERNATE FUNCTION PIN LIST

Table 2- Alternate Function Pin List

Pin Number	Function		I/O Type		Mux Control	VCC Plane		
	Default	Alternate	Default	Alternate				
70	OUT0	IRQ6 (FDC)	O124	O124	MISC0	VCC2		
71	OUT1	nIRQ8	O124	O124				
72	OUT2	IRQ7 (PP)	O124	O124				
74	OUT3	IRQ12(Mouse)	O124	O124				
75	OUT4	IRQ1(KBD)	O124	O124				
2	OUT5	nDS1	O24	O24/OD24	MISC5			
3	OUT6	nMTR1	O24	O24/OD24				
102	OUT7	nSMI	O124	O124	MISC0			
202	OUT8	DRQ2 (note1) CPU_RESET	O124	O124	MISC10 + MISC6			
201	OUT9	DRQ3 (note1)	O124	O124	MISC11			
200	OUT10	PWM0	O124	O124	MISC4			
199	OUT11	PWM1	O124	O124				
148	IN0	WK_EE4	I	I	alternate input masked by wake-up mask Register bits	VCC1		
149	IN1	WK_EE2	I	I				
150	IN2	WK_EE3	I	I				
151	IN3	nGPWKUP	I	I				
152	IN4	WK_HL1	I	I				
153	IN5	WK_HL2	I	I				
154	IN6	WK_HL6	I	I				
155	IN7	WK_EE1	I	I				
184	GPIO0	WK_HL3	I/O8	I				VCC1
185	GPIO1	WK_HL4	I/O8	I				
186	GPIO2	WK_HL5	I/O8	I				
187	GPIO3	TRIGGER	I/O8	I	Masked by INT1 mask register bit-3.			
188	GPIO4	KSO14	I/O8	OD8	MISC9			
189	GPIO5	KSO15	I/O8	OD8				
190	GPIO6	IR_MODE FRX	I/O8	O8 I	MISC[14:13]			
191	GPIO7		I/O8					

Pin Number	Function		I/O Type		Mux	VCC Plane	
	Default	Alternate	Default	Alternate	Control		
141	GPIO8	COM-RX	I/O8	I	MISC7		
142	GPIO9	COM-TX	I/O8	O8 (note2)			
145	GPIO10	nRTS2 IR_MODE FRX	I/O8	O8 O8 I (note1)	MISC[16:15]		
146	GPIO11	nCTS2	I/O8	I	MISC12		
147	GPIO12	nDTR2	I/O8	O8 (note2)			
144	GPIO13	nDSR2	I/O8	I			
140	GPIO14	nDCD2	I/O8	I			
139	GPIO15	nRI2	I/O8	I			
20	GPIO16	MID1	IS/O8	IS	MISC8		VCC2
206	GPIO17	GATEA20	I/O8	O8	MISC6		
207	GPIO18	nDACK2 (note1)	I/O8	I	MISC17		
208	GPIO19	nDACK3 (note1)	I/O8	I	MISC11		
52	GPIO20	PS2CLK 8051RX	I/OD24	I/OD24 I	MISC1 +		
53	GPIO21	PS2DAT 8051TX	I/OD24	I/OD24 OD24	MISC3		
101	SIRQ	IRQ3 (UA1)	O8	O8	MISC0		
23	KSO12	OUT8	OD4	OD4	MISC17 + 6	VCC1	
22	KSO13	GPIO18	OD4	OD4	MISC17		

Alternate Function Notes:

NOTE1 : With the inclusion of Fast IR two additional DMA channel are provided.

NOTE2: When GPIO6, GPIO9, GPIO10 and/or GPIO12 are configured as IR_MODE, COM-TX, nRTS2|IR_MODE, and/or nDTR2 respectively and POWERGOOD=0 (VCC2 low) then these pins will tri-state to prevent back-biasing of external circuitry.

The Mux Control Column in Table 2 lists the Misc Bits which the 8051 has access to through the three Multiplexing registers. See the 8051 section of this spec for a description of the Multiplexing registers.

Buffer Type Descriptions

I	Input, TTL compatible.
IS	Input with Schmitt trigger
ISP	Input with Schmitt trigger, 90uA pull-up.
ICLK	Input to crystal oscillator circuit (CMOS levels)
ICLK2	Crystal input
OCLK2	Output to external crystal
O4	Output, 4mA sink, 2mA source.
O8	Output, 8mA sink, 4mA source.
OD8	Open Drain Output, 8mA sink.
O8SR	Output, 8mA sink, 4mA source with Slew Rate Limiting
O16	Output, 16mA sink, 8mA source.
OD16	Open Drain Output, 16mA sink.
O24	Output, 24mA sink, 12mA source.
OD24	Output, 9Open Drain, 24mA sink.
OD48	Output, Open Drain, 48mA sink

FUNCTIONAL DESCRIPTION

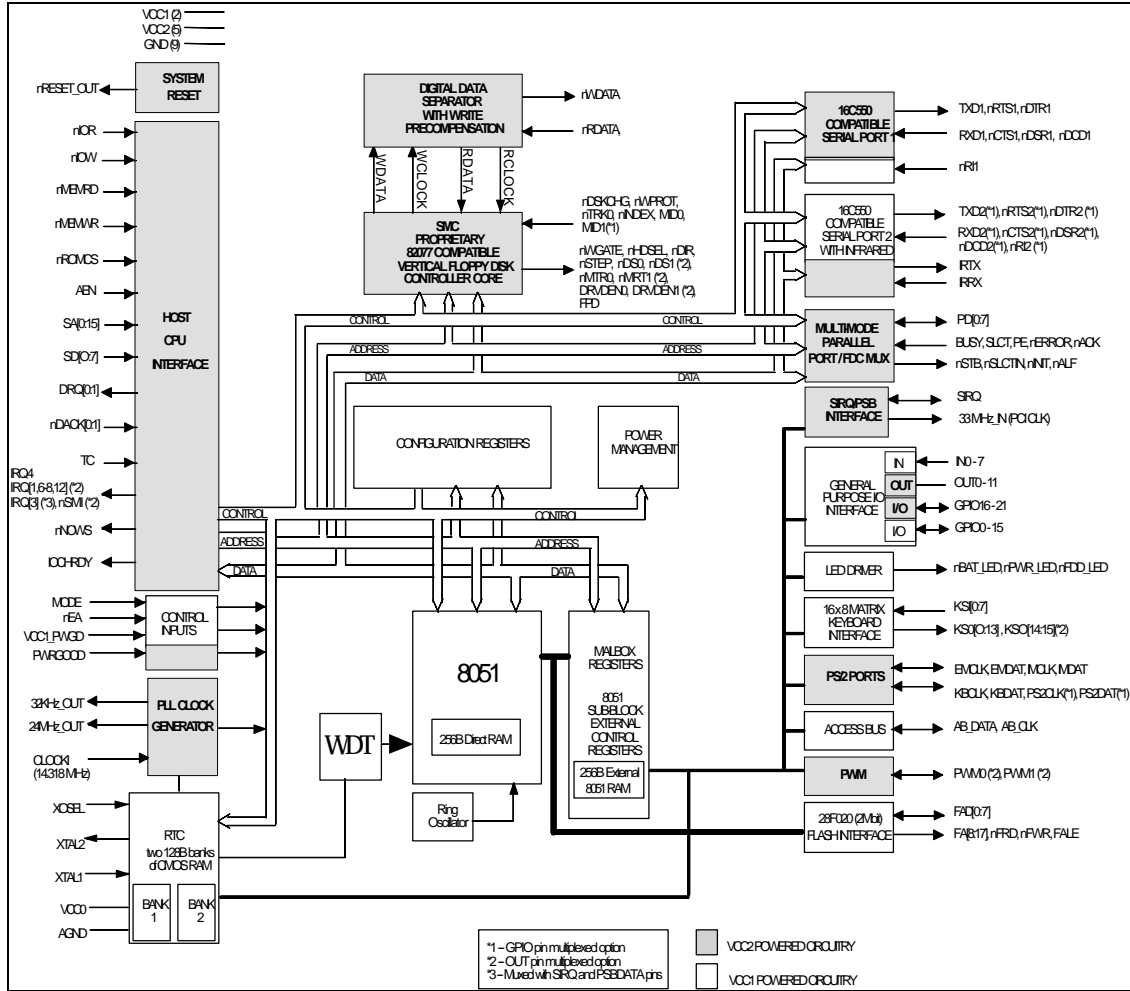


FIGURE 2 - FUNCTIONAL BLOCK DIAGRAM

FDC37C957FR OPERATING REGISTERS

The address map, shown below in Table 3, shows the set of operating registers and addresses for each of the logical blocks of the FDC37C957FR Ultra I/O controller. The base addresses of the FDC, Parallel, Serial 1 and Serial 2 ports can be moved via the configuration registers.

HOST PROCESSOR INTERFACE

The host processor communicates with the FDC37C957FR through a series of read/write registers. The range of base I/O port addresses for these registers is shown in Table 3. Register access is accomplished through programmed I/O or DMA transfers. All registers are 8 bits. Most of the registers support zero wait-state access (NOWS). All host interface output buffers are capable of sinking a minimum of 12 mA.

Table 3- FDC37C957FR OPERATING REGISTER ADDRESSES

Logical Device Number	Logical Device	Base I/O Range (note3)	Fixed Base Offsets	NOWS ISA Cycle Type
0x00	FDC	[0x100:0x0FF8] ON 8 BYTE BOUNDARIES	+0 : SRA +4 : DSR +7:DIR/CCR	NOWS
0x03	Parallel Port	[0x100:0x0FFC] ON 4 BYTE BOUNDARIES (EPP Not supported) or [0x100:0x0FF8] ON 8 BYTE BOUNDARIES (all modes supported, EPP is only available when the base address is on an 8-byte boundary)	+0 : Data ecpAfifo +20 : Status ecpDfif +401h : cnfgB +402h : ecr	

Logical Device Number	Logical Device	Base I/O Range (note3)	Fixed Base Offsets	ISA Cycle Type Std. ISA I/O
			+3 : EPP Address +6 : EPP Data 0 +7 : EPP Data 3	NOWS
0x04	Serial Port 1	[0x100:0x0FF8] ON 8 BYTE BOUNDARIES	+0 : RB/TB LSB div +6 : MBR LSB div +7 : SCR	NOWS
0x05	Serial Port 2	[0x100:0x0FF8] ON 8 BYTE BOUNDARIES	+0 : RB/TB LSB div +6 : MBR LSB div +7 : SCR	
0x62, 0x63		[0x100:0x0FF8] ON 8 BYTE BOUNDARIES	+0 : Register Block N, address 0 +1 : Register Block N, address 1 +2 : Register Block N, address 2 +3 : Register Block N, address 3 +4 : Register Block N, address 4 +5 : Register Block N, address 5 +6 : Register Block N, address 6 +7 : USRT Master Control Reg.	

Logical Device Number	Logical Device	Base I/O Range (note3)	Fixed Base Offsets	ISA Cycle Type
0x06	RTC	Not Relocatable Fixed Base Address	0x70, 0x74 : Address Register 0x71, 0x76 : Data Register	NOWS Std ISA I/O
0x07	KYBD	Not Relocatable Fixed Base Address	0x60 : Data Register 0x64 : Command/Status Reg.	NOWS

Note 1: Refer to the configuration register descriptions for setting the base address

Note 2: Serial Port 2 supports Infrared.

AUTO POWER MANAGEMENT

Auto Power management capabilities are provided for the following logical devices: Floppy Disk, UART 1, UART 2 and the Parallel Port. For each logical device, two types of power management are provided; direct powerdown and auto powerdown.

System Power Management

See the "8051 System Power Management" section for details.

FDC Power Management

Direct power management is controlled through Global Configuration Register 22 (CR22). Refer to CR22 in the Configuration section for more information.

Auto Power Management is enabled through bit-0 of CR23. When set, this bit allows FDC to enter powerdown when all of the following conditions have been met:

1. The motor enable pins of the FDC's DOR register are inactive (zero).
2. The part must be idle; the MSR register =80h and the FDC's INTerrupt = 0 (INT may be high even if MSR = 80H due to polling interrupts).
3. The head unload timer must have expired.
4. The Auto powerdown timer (10msec) must have timed out.

An internal timer is initiated as soon as the auto powerdown command is enabled. The part is then powered down when all the conditions are met.

Disabling the auto powerdown mode cancels the timer and holds the FDC block out of auto powerdown.

DSR From Powerdown

Bit-6 of the FDC's DSR register is another FDC powerdown bit. If DSR powerdown is used when the part is in auto powerdown, the DSR powerdown will override the auto powerdown. However, when the part is awakened from DSR powerdown, the auto powerdown will once again become effective.

Wake Up From Auto Powerdown

If the part enters the powerdown state through the auto powerdown mode, then the part can be awakened by reset or by appropriate access to certain registers.

If a hardware or software reset is used then the part will go through the normal reset sequence. If the access is through the selected registers, then the FDC resumes operation as though it was never in powerdown. Besides activating the RESET pin or one of the software reset bits in the DOR or DSR registers, the following register accesses will wake up the part:

1. Enabling any one of the motor enable bits in the DOR register (reading the DOR does not awaken the part).
2. A read from the MSR register.
3. A read or write to the Data register.

Once awake, the FDC will reinitiate the auto powerdown timer for 10 ms. The part will powerdown again when all the powerdown conditions are satisfied.

Register Behavior

Table 4 reiterates the AT and PS/2 (including Model 30) configuration registers available. It also shows the type of access permitted. In order to maintain software transparency, access to all the registers is maintained. As Table 4 shows, two sets of registers are distinguished based on whether their access results in the part remaining in powerdown state or exiting it.

Access to all other registers is possible without awakening the part. These registers can be accessed during powerdown without changing the status of the part. A read from these registers will reflect the true status as shown in the register description in the FDC section. Writes to these registers will result in the part retaining the data and subsequently reflecting it when the part awakens. Accessing the part during powerdown may cause an increase in the power consumption by the part. The part will revert back to its low power mode when the access has been completed.

Pin Behavior

The FDC37C957FR is specifically designed for portable PC systems in which power conservation is a primary concern. This makes the behavior of the pins during powerdown very important.

The pins which interface to the floppy disk drive are disabled so that no power will be drawn through the part as a result of any voltage applied to the pin within the VCC2 power supply range. Most of the pins which interface to the system are left active to monitor system accesses that may wake up the part.

System Interface Pins

Table 5 gives the state of the system interface pins in the powerdown state. Pins unaffected by the powerdown are labeled "Unchanged". Input pins are "Disabled" to prevent them from causing currents internal to the FDC37C957FR when they have indeterminate input values.

Table 4 - PC/AT and PS/2 Available Registers

Base + Address	Available Registers		Access Permitted
	PC-AT	PS/2 (Model 30)	
Access to these registers DOES NOT wake up the part			
00H	----	SRA	R
01H	----	SRB	R
02H	DOR (1)	DOR (1)	R/W
03H	---	---	---
04H	DSR (1)	DSR (1)	W
06H	---	---	---
07H	DIR	DIR	R
07H	CCR	CCR	W
Access to these registers wakes up the part			
04H	MSR	MSR	R
05H	Data	Data	R/W

Note 1: Writing to the DOR or DSR does not wake up the part, however, writing any of the motor enable bits or doing a software reset (via DOR or DSR reset bits) will wake up the part

Table 5 - State of System Pins in FDC Auto Powerdown

System Pins	State in Auto Powerdown
Input Pins	
nIOR	Unchanged
nIOW	Unchanged
AEN	Unchanged
nMEMRD	Unchanged
nMEMWR	Unchanged
SA[15:0]	Unchanged
SD[7:0]	Unchanged
nNOWS	Unchanged(hi-Z)
nDACKx	Unchanged
TC	Unchanged
nROMCS	Unchanged
Output Pins	
RESET_OUT	Unchanged
IRQx	Unchanged(low)
DB[0:7]	Unchanged
DRQx	Unchanged(low)
IOCHRDY	Unchange(n/a)

FDD Interface Pins

All pins in the FDD interface which can be connected directly to the floppy disk drive itself are either DISABLED or TRISTATED. Pins used for local logic control or part programming are unaffected. Table 6 depicts the state of the floppy disk drive interface pins in the powerdown state.

FDD Power Down Pin (FPD) Behavior

The FPD pin can be used to automatically shut off power to the Floppy Disk Drive when it is not required. The FPD pin is an active high output signal which is driven based on the states of the Floppy Disk Controller. Whenever the FDC Shutdown bit is set (see FDD Mode Register, bit-5 in the Configuration Register Section) th FPD pin goes high. If the FDC Shutdown bit is not set then the FPD pin will go high whenever the FDC bit (see bit-0 of the Power Mgmt Register in the Configuration Section) is set and the FDC has entered an auto-powerdown state as described above. If neither the FDC Shutdown bit nor the FDC bit are set then the FPD pin goes active "high" when the Power Down bit is set (see bit-6 of the Data Rate Select Register [DSR]) and "low" when the Power Down bit is cleared. Refer to Table 6A.

Table 6 - State of Floppy Disk Drive Interface pins in FDC Powerdown

FDD Pins	State in FDC Auto Powerdown
Input Pins	
nRDATA	Input
nWPROT	Input
nTRK0	Input
nINDEX	Input
nDSKCHG	Input
Output Pins	
nMTR[1:0]	Tristated
nDS[1:0]	Tristated
nDIR	Active
nSTEP	Active
nWDATA	Tristated
WGATE	Tristated
nHDSEL	Active
DRV DEN[1:0]	Active
FPD	Active

Table 6A : FPD Pin Behavior

Power Down bit, DSR, bit-6	FDC bit, GCR23 bit-0 Auto Power Down	FDC Shutdown bit, FDD Mode Register	FPD Pin State
0	0	0	0
1	0	0	1
X	1	0	1 (note 1)
X	X	1	1

Note 1 : The FPD pin will go active when the Floppy Disk Controller auto powers down. Refer to FDC auto power management for more details.

UART Power Management

Direct power management is controlled by CR22. Refer to CR22 in the Configuration Section for more information.

Auto Power Management is enabled by CR23 bit-4 and bit-5. When set, these bits allow the following auto power management operations:

1. The transmitter enters auto powerdown when the transmit buffer and shift register are empty.
2. The receiver enters powerdown when the following conditions are all met:
 - A. Receive FIFO is empty
 - B. The receiver is waiting for a start bit.

Note: While in powerdown the Ring Indicator interrupt is still valid.

Exit Auto Powerdown

The transmitter exits powerdown on a write to the transmit buffer. The receiver exits auto powerdown when RXD changes state.

Parallel Port Power Management

Direct power management is controlled by CR22. Refer to CR22 in the Configuration Section for more information.

Auto Power Management is enabled by CR23 bit-3. When set, this bit allows the ECP or EPP logical parallel port blocks to be placed into powerdown when not being used.

The EPP logic is in powerdown under any of the following conditions:

1. EPP is not enabled in the configuration registers.
2. EPP is not selected through ecr while in ECP mode.

The ECP logic is in powerdown under any of the following conditions:

1. ECP is not enabled in the configuration registers.
2. SPP, PS/2 Parallel port or EPP mode is selected through ecr while in ECP mode.

Exit Auto Powerdown

The parallel port logic can change powerdown modes when the ECP mode is changed through the ecr register or when the parallel port mode is changed through the configuration registers.

FLOPPY DISK CONTROLLER

The Floppy Disk Controller (FDC) provides the interface between a host microprocessor and the floppy disk drives. The FDC integrates the functions of the Formatter/Controller, Digital Data Separator, Write Precompensation and Data Rate Selection logic for an IBM XT/AT compatible FDC. The true CMOS 765B core guarantees 100% IBM PC XT/AT compatibility in addition to providing data overflow and underflow protection.

The FDC is compatible to the 82077AA using SMC's proprietary floppy disk controller core.

FDC INTERNAL REGISTERS

The Floppy Disk Controller contains eight internal registers which facilitate the interfacing between the host microprocessor and the disk drive. shows the addresses required to access these registers. Registers other than the ones shown are not supported.

Table 7 - Status, Data and Control Registers

FDC PRIMARY BASE I/O ADDRESS OFFSET		REGISTER	
0	R	Status Register A	SRA
1	R	Status Register B	SRB
2	R/W	Digital Output Register	DOR
3	R/W	Tape Drive Register	TSR
4	R	Main Status Register	MSR
4	W	Data Rate Select Register	DSR
5	R/W	Data (FIFO)	FIFO
6		Reserved	
7	R	Digital Input Register	DIR
7	W	Configuration Control Register	CCR

STATUS REGISTER A (SRA)

FDC I/O Base Address + 0x00 (READ ONLY)

This register is read-only and monitors the state of the Floppy Disk Controller's Interrupt pin and several disk interface pins in PS/2 and Model 30 modes. The SRA can be accessed at any time when in PS/2 mode. In the PC/AT mode the data bus pins D0 - D7 are held in a high impedance state for a read of SRA.

SRA - PS/2 Mode

	7	6	5	4	3	2	1	0
	INT PENDING	nDRV2	STEP	nTRK0	HDSEL	nINDX	nWP	DIR
RESET COND.	0	N/A	0	N/A	0	N/A	N/A	0

BIT 0 DIRECTION

Active high status indicating the direction of head movement. A logic "1" indicates inward direction; a logic "0" indicates outward direction.

BIT 1 nWRITE PROTECT

Active low status of the WRITE PROTECT disk interface input. A logic "0" indicates that the disk is write protected.

BIT 2 nINDEX

Active low status of the INDEX disk interface input.

BIT 3 HEAD SELECT

Active high status of the HDSEL disk interface input. A logic "1" selects side 1 and a logic "0" selects side 0.

BIT 4 nTRACK 0

Active low status of the TRK0 disk interface input.

BIT 5 STEP

Active high status of the STEP output disk interface output pin.

BIT 6 nDRV2

Active low status of the DRV2 disk interface input pin, indicating that a second drive has been installed.

BIT 7 INTERRUPT PENDING

Active high bit indicating the state of the Floppy Disk Interrupt output.

SRA - PS/2 Model 30 Mode

	7	6	5	4	3	2	1	0
	INT PENDING	DRQ	STEP F/F	TRK0	nHDSE L	INDX	WP	nDIR
RESET COND.	0	0	0	N/A	1	N/A	N/A	1

BIT 0 nDIRECTION

Active low status indicating the direction of head movement. A logic "0" indicates inward direction; a logic "1" indicates outward direction.

BIT 1 WRITE PROTECT

Active high status of the WRITE PROTECT disk interface input. A logic "1" indicates that the disk is write protected.

BIT 2 INDEX

Active high status of the INDEX disk interface input.

BIT 3 nHEAD SELECT

Active low status of the HDSEL disk interface input. A logic "0" selects side 1 and a logic "1" selects side 0.

BIT 4 TRACK 0

Active high status of the TRK0 disk interface input.

BIT 5 STEP

Active high status of the latched STEP disk interface output pin. This bit is latched with the STEP output going active, and is cleared with a read from the DIR register, or with a hardware or software reset.

BIT 6 DMA REQUEST

Active high status of the Floppy Disk Controller's DRQ output pin.

BIT 7 INTERRUPT PENDING

Active high bit indicating the state of the Floppy Disk Interrupt output.

STATUS REGISTER B (SRB)

FDC I/O Base Address + 0x01 (READ ONLY)

This register is read-only and monitors the state of several disk interface pins in PS/2 and Model 30 modes. The SRB can be accessed at any time when in PS/2 mode. In the PC/AT mode the data bus pins D0 - D7 are held in a high impedance state for a read of SRB.

SRB - PS/2 Mode

	7	6	5	4	3	2	1	0
	1	1	DRIVE SELO	WDATA TOGGLE	RDATA TOGGLE	WGATE	MOT EN1	MOT EN0
RESET COND.	1	1	0	0	0	0	0	0

BIT 0 MOTOR ENABLE 0

Active high status of the MTR0 disk interface output pin. This bit is low after a hardware reset and unaffected by a software reset.

BIT 1 MOTOR ENABLE 1

Active high status of the MTR1 disk interface output pin. This bit is low after a hardware reset and unaffected by a software reset.

BIT 2 WRITE GATE

Active high status of the WGATE disk interface output.

BIT 3 READ DATA TOGGLE

Every inactive edge of the RDATA input causes this bit to change state.

BIT 4 WRITE DATA TOGGLE

Every inactive edge of the WDATA output causes this bit to change state.

BIT 5 DRIVE SELECT 0

Reflects the status of the Drive Select 0 bit of the DOR (address 3F2 bit 0). This bit is cleared after a hardware reset and it is unaffected by a software reset.

BIT 6 RESERVED

Always read as a logic "1".

BIT 7 RESERVED

Always read as a logic "1".

SRB - PS/2 Model 30 Mode

	7	6	5	4	3	2	1	0
	nDRV2	nDS1	nDS0	WDATA F/F	RDATA F/F	WGATE F/F	nDS3	nDS2
RESET COND.	N/A	1	1	0	0	0	1	1

BIT 0 nDRIVE SELECT 2

Active low status of the DS2 disk interface output.

BIT 1 nDRIVE SELECT 3

Active low status of the DS3 disk interface output.

BIT 2 WRITE GATE

Active high status of the latched WGATE output signal. This bit is latched by the active going edge of WGATE and is cleared by the read of the DIR register.

BIT 3 READ DATA

Active high status of the latched RDATA input signal. This bit is latched by the inactive going edge of RDATA and is cleared by the read of the DIR register.

BIT 4 WRITE DATA

Active high status of the latched WDATA output signal. This bit is latched by the inactive going edge of WDATA and is cleared by the read of the DIR register. This bit is not gated with WGATE.

BIT 5 nDRIVE SELECT 0

Active low status of the DS0 disk interface output.

BIT 6 nDRIVE SELECT 1

Active low status of the DS1 disk interface output.

BIT 7 nDRV2

Active low status of the DRV2 disk interface input.

DIGITAL OUTPUT REGISTER (DOR)

FDC I/O Base Address + 0x02 (READ/WRITE)

The DOR controls the drive select and motor enables of the disk interface outputs. It also contains the enable for the DMA logic and a software reset bit. The contents of the DOR are unaffected by a software reset. The DOR can be written to at any time.

	7	6	5	4	3	2	1	0
	MOT EN3	MOT EN2	MOT EN1	MOT EN0	DMAEN	nRESE T	DRIVE SEL1	DRIVE SEL0
RESET COND.	0	0	0	0	0	0	0	0

BIT 0 and 1 DRIVE SELECT

These two bits are binary encoded for the two drive selects output pins nDS0 and nDS1, thereby allowing only one drive to be selected at one time.

BIT 2 nRESET

A logic "0" written to this bit resets the Floppy disk controller. This reset will remain active until a logic "1" is written to this bit. This software reset does not affect the DSR and CCR registers, nor does it affect the other bits of the DOR register. The minimum reset duration required is 100ns, therefore toggling this bit by consecutive writes to this register is a valid method of issuing a software reset.

BIT 3 DMAEN

PC/AT and Model 30 Mode:

Writing this bit to logic "1" will enable the FDC's nDACK and TC inputs and enable the FDC's DRQ and Interrupt outputs. This bit being a logic "0" will disable the FDC's nDACK and TC inputs, and hold the FDC's DRQ and Interrupt outputs in a high impedance state. This bit is a logic "0" after a reset.

PS/2 Mode: In this mode the TC and the FDC's DRQ, nDACK, and Interrupt pins are always enabled. During a reset, the DRQ, nDACK, TC, and Interrupt pins will remain enabled, but this bit will be cleared to a logic "0".

BIT 4 MOTOR ENABLE 0

This bit controls the nMTR0 disk interface output. A logic "1" in this bit will cause the output pin to assert.

BIT 5 MOTOR ENABLE 1

This bit controls the nMTR1 disk interface output. A logic "1" in this bit will cause the output pin to assert.

BIT 6 MOTOR ENABLE 2

This bit controls the nMTR2 disk interface output. A logic "1" in this bit will cause the output pin to assert.

BIT 7 MOTOR ENABLE 3

This bit controls the nMTR3 disk interface output. A logic "1" in this bit will cause the output pin to assert.

Table 8 - Drive Activation Values

DRIVE	DOR VALUE
0	1CH
1	2DH

Table 9 - Internal 2 Drive Decode - Normal

DIGITAL OUTPUT REGISTER						DRIVE SELECT OUTPUTS (ACTIVE LOW)		MOTOR ON OUTPUTS (ACTIVE LOW)	
Bit 7	Bit 6	Bit 5	Bit 4	Bit1	Bit 0	nDS1	nDS0	nMTR1	nMTR0
X	X	X	1	0	0	1	0	nBIT 5	nBIT 4
X	X	1	X	0	1	0	1	nBIT 5	nBIT 4
X	1	X	X	1	0	1	1	nBIT 5	nBIT 4
1	X	X	X	1	1	1	1	nBIT 5	nBIT 4
0	0	0	0	X	X	1	1	nBIT 5	nBIT 4

Table 10 - Internal 2 Drive Decode - Drives 0 and 1 swapped

DIGITAL OUTPUT REGISTER						DRIVE SELECT OUTPUTS (ACTIVE LOW)		MOTOR ON OUTPUTS (ACTIVE LOW)	
Bit 7	Bit 6	Bit 5	Bit 4	Bit1	Bit 0	nDS1	nDS0	nMTR1	nMTR0
X	X	X	1	0	0	0	1	nBIT 4	nBIT 5
X	X	1	X	0	1	1	0	nBIT 4	nBIT 5
X	1	X	X	1	0	1	1	nBIT 4	nBIT 5
1	X	X	X	1	1	1	1	nBIT 4	nBIT 5
0	0	0	0	X	X	1	1	nBIT 4	nBIT 5

TAPE DRIVE REGISTER (TDR)

FDC I/O Base Address + 0x03 (READ/WRITE)

This register is included for 82077 software compatibility. The robust digital data separator used in the FDC does not require its characteristics modified for tape support. The contents of this register are not used internal to the device. The TDR is unaffected by a software reset.

Normal Floppy Mode

Normal mode. The TDR Register contains only bits 0 and 1. When this register is read, bits 2 - 7 are a high impedance.

	DB7	DB6	DB5	DB4	DB3	DB2	DB1	DB0
REG 3F3	Tri-state	Tri-state	Tri-state	Tri-state	Tri-state	Tri-state	tape sel1	tape sel0

Table 11 - Tape Select Bits

TAPE SEL1	TAPE SEL2	DRIVE SELECTED
0	0	None
0	1	1
1	0	2
1	1	3

Enhanced Floppy Mode 2 (OS2)

The TDR Register for Enhanced Floppy Mode 2 operation.

	DB7	DB6	DB5	DB4	DB3	DB2	DB1	DB0
REG 3F3	Media ID1	Media ID0	Drive Type ID		Floppy Boot Drive		tape sel1	tape sel0

For this mode, MID[1:0] pins are gated into bits 6 and 7 of the TDR register. These two bits are not affected by a hard or soft reset.

BIT 7 MEDIA ID 1 (READ ONLY) (Pin 20) (See Table 12 - Media ID1)

BIT 6 MEDIA ID 0 (READ ONLY) (Pin 19) (See Table 13)

BITS 5 and 4 Drive Type ID

These bits reflect two of the bits of L0-CRF1 (Logical Device 0 - Configuration Register 0xF1). Which two bits these are depends on the last drive selected in the Digital Output Register. (See Table 14)

Table 12 - Media ID 1

Input	MEDIA ID1	
	BIT 7	
Pin 19	L0-CRF1-B5 = 0	L0-CRF1-B5 = 1
0	0	1
1	1	0

Note: L0-CRF1-B5 = Logical Device 0, Configuration Register F1, Bit 5

BITS 3 and 2 Floppy Boot Drive

These bits reflect two of the bits of L0-CRF1. Bit 3 = L0-CRF1-B7. Bit 2 = L0-CRF1-B6.

Bits 1 and 0 - Tape Drive Select (READ/WRITE)

Same as in Normal and Enhanced Floppy Mode 2.

Table 13 - Media ID 0

Input	MEDIA ID0	
	BIT 6	
Pin 20	CRF1-B4 = 0	CRF1-B4 = 1
0	0	1
1	1	0

Table 14 - Drive Type ID

Digital Output Register		TDR Register - Drive Type ID	
Bit 1	Bit 0	Bit 5	Bit 4
0	0	L0-CRF2 - B1	L0-CRF2 - B0
0	1	L0-CRF2 - B3	L0-CRF2 - B2
1	0	L0-CRF2 - B5	L0-CRF2 - B4
1	1	L0-CRF2 - B7	L0-CRF2 - B6

Note: L0-CRF2-Bx = Logical Device 0, Configuration Register F2, Bit x.

DATA RATE SELECT REGISTER (DSR)

FDC I/O Base Address + 0x04 (WRITE ONLY)

This register is write only. It is used to program the data rate, amount of write precompensation, power down status, and software reset. The data rate is programmed using the Configuration Control Register (CCR) not the DSR, for PC/AT and PS/2 Model 30 and Microchannel applications. Other applications can set the data rate in the DSR. The data rate of the floppy controller is the most recent write of either the DSR or CCR. The DSR is unaffected by a software reset. A hardware reset will set the DSR to 02H, which corresponds to the default precompensation setting and 250 Kbps.

	7	6	5	4	3	2	1	0
	S/W RESET	POWER DOWN	0	PRE- COMP2	PRE- COMP1	PRE- COMP0	DRATE SEL1	DRATE SEL0
RESET COND.	0	0	0	0	0	0	1	0

BIT 0 and 1 DATA RATE SELECT

These bits control the data rate of the floppy controller. See Table 16 for the settings corresponding to the individual data rates. The data rate select bits are unaffected by a software reset, and are set to 250 Kbps after a hardware reset.

BIT 2 through 4 PRECOMPENSATION SELECT

These three bits select the value of write precompensation that will be applied to the WDATA output signal. Table 15 shows the precompensation values for the combination of these bits settings. Track 0 is the default starting track number to start precompensation. this starting track number can be changed by the configure command.

BIT 5 UNDEFINED

Should be written as a logic "0".

BIT 6 LOW POWER

A logic "1" written to this bit will put the floppy controller into manual low power mode. The floppy controller clock and data separator circuits will be turned off. The controller will come out of manual low power mode after a software reset or access to the Data Register or Main Status Register.

BIT 7 SOFTWARE RESET

This active high bit has the same function as the DOR RESET (DOR bit 2) except that this bit is self clearing.

Table 15 - Precompensation Delays

PRECOMP 432	PRECOMPENSATION DELAY (nsec)	
	<2Mbps	2Mbps
	111	0.00
001	41.67	20.8
010	83.34	41.7
011	125.00	62.5
100	166.67	83.3
101	208.33	104.2
110	250.00	125
000	Default	Default

Default: See Table 17

Table 16 - Data Rates

DRIVE RATE		DATA RATE		DATA RATE		DENSEL	DRATE(1)	
DRT1	DRT0	SEL1	SEL0	MFM	FM		1	0
0	0	1	1	1Meg	---	1	1	1
0	0	0	0	500	250	1	0	0
0	0	0	1	300	150	0	0	1
0	0	1	0	250	125	0	1	0
0	1	1	1	1Meg	---	1	1	1
0	1	0	0	500	250	1	0	0
0	1	0	1	500	250	0	0	1
0	1	1	0	250	125	0	1	0
1	0	1	1	1Meg	---	1	1	1
1	0	0	0	500	250	1	0	0
1	0	0	1	2Meg	---	0	0	1
1	0	1	0	250	125	0	1	0

Drive Rate Table (Recommended) 00 = 360K, 1.2M, 720K, 1.44M and 2.88M Vertical Format
 01 = 3-Mode Drive
 10 = 2 Meg Tape

Note 1: The DRATE and DENSEL values are mapped onto the DRIVEDEN pins.

Table 17 - DRVDEN Mapping

DT1	DT0	DRVDEN1 (1)	DRVDEN0 (1)	DRIVE TYPE
0	0	DRATE0	DENSEL	4/2/1 MB 3.5" 2/1 MB 5.25" FDDS 2/1.6/1 MB 3.5" (3-MODE)
1	0	DRATE0	DRATE1	
0	1	DRATE0	nDENSEL	PS/2
1	1	DRATE1	DRATE0	

Table 18 - Default Precompensation Delays

DATA RATE	PRECOMPENSATION DELAYS
2 Mbps	20.8 ns
1 Mbps	41.67 ns
500 Kbps	125 ns
300 Kbps	125 ns
250 Kbps	125 ns

The 2 Mbps data rate is only available if $V_{CC} = 5V$.

MAIN STATUS REGISTER

FDC I/O Base Address + 0x04 (READ ONLY)

The Main Status Register is a read-only register and indicates the status of the disk controller. The Main Status Register can be read at any time. The MSR indicates when the disk controller is ready to receive data via the Data Register. It should be read before each byte transferring to or from the data register except in DMA mode. No delay is required when reading the MSR after a data transfer.

7	6	5	4	3	2	1	0
RQM	DIO	NON DMA	CMD BUSY	DRV3 BUSY	DRV2 BUSY	DRV1 BUSY	DRV0 BUSY

BIT 0 - 3 DRVx BUSY

These bits are set to 1s when a drive is in the seek portion of a command, including implied and overlapped seeks and recalibrates.

BIT 4 COMMAND BUSY

This bit is set to a 1 when a command is in progress. This bit will go active after the command byte has been accepted and goes inactive at the end of the results phase. If there is no result phase (Seek, Recalibrate commands), this bit is returned to a 0 after the last command byte.

BIT 5 NON-DMA

This mode is selected in the SPECIFY command and will be set to a 1 during the execution phase of a command. This is for polled data transfers and helps differentiate between the data transfer phase and the reading of result bytes.

BIT 6 DIO

Indicates the direction of a data transfer once a RQM is set. A 1 indicates a read and a 0 indicates a write is required.

BIT 7 RQM

Indicates that the host can transfer data if set to a 1. No access is permitted if set to a 0.

DATA REGISTER (FIFO)

FDC I/O Base Address + 0x05 (READ/WRITE)

All command parameter information, disk data and result status are transferred between the host processor and the floppy disk controller through the Data Register.

Data transfers are governed by the RQM and DIO bits in the Main Status Register.

The Data Register defaults to FIFO disabled mode after any form of reset. This maintains PC/AT hardware compatibility. The default values can be changed through the Configure command (enable full FIFO operation with threshold control). The advantage of the FIFO is that it allows the system a larger DMA latency without causing a disk error. Table 19 gives several examples of the delays with a FIFO. The data is based upon the following formula:

Threshold # x [8/DATA RATE] - 1.5ms = Delay

At the start of a command, the FIFO action is always disabled and command parameters must be sent based upon the RQM and DIO bit settings. As the command execution phase is entered, the FIFO is cleared of any data to ensure that invalid data is not transferred.

An overrun or underrun will terminate the current command and the transfer of data. Disk writes will complete the current sector by generating a 00 pattern and valid CRC. Reads require the host to remove the remaining data so that the result phase may be entered.

Table 19 - FIFO Service Delay

FIFO THRESHOLD EXAMPLES	MAXIMUM DELAY TO SERVICING AT 2 Mbps* DATA RATE
1 byte	1 x 4 ms - 1.5 ms = 2.5 ms
2 bytes	2 x 4 ms - 1.5 ms = 6.5 ms
8 bytes	8 x 4 ms - 1.5 ms = 30.5 ms
15 bytes	15 x 4 ms - 1.5 ms = 58.5 ms

FIFO THRESHOLD EXAMPLES	MAXIMUM DELAY TO SERVICING AT 1 Mbps DATA RATE
1 byte	1 x 8 ms - 1.5 ms = 6.5 ms
2 bytes	2 x 8 ms - 1.5 ms = 14.5 ms
8 bytes	8 x 8 ms - 1.5 ms = 62.5 ms
15 bytes	15 x 8 ms - 1.5 ms = 118.5 ms

FIFO THRESHOLD EXAMPLES	MAXIMUM DELAY TO SERVICING AT 500 Kbps DATA RATE
1 byte	1 x 16 ms - 1.5 ms = 14.5 ms
2 bytes	2 x 16 ms - 1.5 ms = 30.5 ms
8 bytes	8 x 16 ms - 1.5 ms = 126.5 ms
15 bytes	15 x 16 ms - 1.5 ms = 238.5 ms

The 2 Mbps data rate is only available if V_{CC} = 5V nominal.

DIGITAL INPUT REGISTER (DIR)

FDC I/O Base Address + 0x07 (READ ONLY)

This register is read-only in all modes.

DIR - PC-AT Mode

	7	6	5	4	3	2	1	0
DSK CHG								
RESET COND.	N/A	N/A	N/A	N/A	N/A	N/A	N/A	N/A

BIT 0 - 6 UNDEFINED

The data bus outputs D0 - 6 will remain in a high impedance state during a read of this register.

BIT 7 DSKCHG

This bit monitors the pin of the same name and reflects the opposite value seen on the disk cable.

DIR - PS/2 Mode

	7	6	5	4	3	2	1	0
DSK CHG		1	1	1	1	DRATE SEL1	DRATE SEL0	nHIGH DENS
RESET COND.	N/A	N/A	N/A	N/A	N/A	N/A	N/A	1

BIT 0 nHIGH DENS

This bit is low whenever the 500 Kbps or 1 Mbps data rates are selected, and high when 250 Kbps and 300 Kbps are selected.

BITS 1 - 2 DATA RATE SELECT

These bits control the data rate of the floppy controller. See Table 16 for the settings corresponding to the individual data rates. The data rate select bits are unaffected by a software reset, and are set to 250 Kbps after a hardware reset.

BITS 3 - 6 UNDEFINED

Always read as a logic "1"

BIT 7 DSKCHG

This bit monitors the pin of the same name and reflects the opposite value seen on the disk cable.

DIR - Model 30 Mode

	7	6	5	4	3	2	1	0
	DSK CHG	0	0	0	DMAEN	NOPREC	DRATE SEL1	DRATE SEL0
RESET COND.	N/A	0	0	0	0	0	1	0

BITS 0 - 1 DATA RATE SELECT

These bits control the data rate of the floppy controller. See Table 16 for the settings corresponding to the individual data rates. The data rate select bits are unaffected by a software reset, and are set to 250 Kbps after a hardware reset.

BIT 2 NOPREC

This bit reflects the value of NOPREC bit set in the CCR register.

BIT 3 DMAEN

This bit reflects the value of DMAEN bit set in the DOR register bit 3.

BITS 4 - 6 UNDEFINED

Always read as a logic "0"

BIT 7 DSKCHG

This bit monitors the pin of the same name and reflects the opposite value seen on the pin.

CONFIGURATION CONTROL REGISTER (CCR)

FDC I/O Base Address + 0x07 (WRITE ONLY)
PC/AT and PS/2 Mode

	7	6	5	4	3	2	1	0
							DRATE SEL1	DRATE SEL0
RESET COND.	N/A	N/A	N/A	N/A	N/A	N/A	1	0

BIT 0 and 1 DATA RATE SELECT 0 and 1

These bits determine the data rate of the floppy controller. See Table 16 for the appropriate values.

BIT 2 - 7 RESERVED

Should be set to a logical "0"

CCR - PS/2 Model 30 Mode

	7	6	5	4	3	2	1	0
						NOPREC	DRATE SEL1	DRATE SEL0
RESET COND.	N/A	N/A	N/A	N/A	N/A	N/A	1	0

BIT 0 and 1 DATA RATE SELECT 0 and 1

These bits determine the data rate of the floppy controller. See Table 16 for the appropriate values.

BIT 2 NO PRECOMPENSATION

This bit can be set by software, but it has no functionality. It can be read by bit 2 of the DSR when in Model 30 register mode. Unaffected by software reset.

BIT 3 - 7 RESERVED

Should be set to a logical "0"

Table 16 shows the state of the DENSEL pin. The DENSEL pin is set high after a hardware reset and is unaffected by the DOR and the DSR resets.

STATUS REGISTER ENCODING

During the Result Phase of certain commands, the Data Register contains data bytes that give the status of the command just executed.

Table 20 - Status Register 0

BIT NO.	SYMBOL	NAME	DESCRIPTION
7,6	IC	Interrupt Code	00 - Normal termination of command. The specified command was properly executed and completed without error. 01 - Abnormal termination of command. Command execution was started, but was not successfully completed. 10 - Invalid command. The requested command could not be executed. 11 - Abnormal termination caused by Polling.
5	SE	Seek End	The FDC completed a Seek, Relative Seek or Recalibrate command (used during a Sense Interrupt Command).
4	EC	Equipment Check	The TRK0 pin failed to become a "1" after: 1. 80 step pulses in the Recalibrate command. 2. The Relative Seek command caused the FDC to step outward beyond Track 0.
3			Unused. This bit is always "0".
2	H	Head Address	The current head address.
1,0	DS1,0	Drive Select	The current selected drive.

Table 21 - Status Register 1

BIT NO.	SYMBOL	NAME	DESCRIPTION
7	EN	End of Cylinder	The FDC tried to access a sector beyond the final sector of the track (255D). Will be set if TC is not issued after Read or Write Data command.
6			Unused. This bit is always "0".
5	DE	Data Error	The FDC detected a CRC error in either the ID field or the data field of a sector.
4	OR	Overflow/ Underrun	Becomes set if the FDC does not receive CPU or DMA service within the required time interval, resulting in data overrun or underrun.
3			Unused. This bit is always "0".
2	ND	No Data	Any one of the following: 1. Read Data, Read Deleted Data command - the FDC did not find the specified sector. 2. Read ID command - the FDC cannot read the ID field without an error. 3. Read A Track command - the FDC cannot find the proper sector sequence.
1	NW	Not Writable	WP pin became a "1" while the FDC is executing a Write Data, Write Deleted Data, or Format A Track command.
0	MA	Missing Address Mark	Any one of the following: 1. The FDC did not detect an ID address mark at the specified track after encountering the index pulse from the IDX pin twice. 2. The FDC cannot detect a data address mark or a deleted data address mark on the specified track.

Table 22 - Status Register 2

BIT NO.	SYMBOL	NAME	DESCRIPTION
7			Unused. This bit is always "0".
6	CM	Control Mark	Any one of the following: 1. Read Data command - the FDC encountered a deleted data address mark. 2. Read Deleted Data command - the FDC encountered a data address mark.
5	DD	Data Error in Data Field	The FDC detected a CRC error in the data field.
4	WC	Wrong Cylinder	The track address from the sector ID field is different from the track address maintained inside the FDC.
3			Unused. This bit is always "0".
2			Unused. This bit is always "0".
1	BC	Bad Cylinder	The track address from the sector ID field is different from the track address maintained inside the FDC and is equal to FF hex, which indicates a bad track with a hard error according to the IBM soft-sectored format.
0	MD	Missing Data Address Mark	The FDC cannot detect a data address mark or a deleted data address mark.

Table 23 - Status Register 3

BIT NO.	SYMBOL	NAME	DESCRIPTION
7			Unused. This bit is always "0".
6	WP	Write Protected	Indicates the status of the WP pin.
5			Unused. This bit is always "1".
4	T0	Track 0	Indicates the status of the TRK0 pin.
3			Unused. This bit is always "1".
2	HD	Head Address	Indicates the status of the HDSEL pin.
1,0	DS1,0	Drive Select	Indicates the status of the nDS1, nDS0 pins.

FDC RESET

There are three sources of system reset on the FDC: the iRESET_OUT bit of the 8051's Output enable Register (which controls the RESET_OUT/nRESET_OUT pins of the ORION); a reset generated via a bit in the DOR; and a reset generated via a bit in the DSR. At VCC2 power on, a VCC2 Power On Reset initializes the FDC. All resets take the FDC out of the power down state.

All operations are terminated upon a RESET, and the FDC enters an idle state. A reset while a disk write is in progress will corrupt the data and CRC.

On exiting the reset state, various internal registers are cleared, including the Configure command information, and the FDC waits for a new command. Drive polling will start unless disabled by a new Configure command.

RESET_OUT Pin (Hardware Reset)

The RESET_OUT pin is a global reset and clears all registers except those programmed by the Specify command. The DOR reset bit is enabled and must be cleared by the host to exit the reset state.

DOR Reset vs. DSR Reset (Software Reset)

These two resets are functionally the same. Both will reset the FDC core, which affects drive status information and the FIFO circuits. The DSR reset clears itself automatically while the DOR reset requires the host to manually clear it. DOR reset has precedence over the DSR reset. The DOR reset is set automatically upon a RESET_OUT pin reset. The user must manually clear this reset bit in the DOR to exit the reset state.

FDC MODES OF OPERATION

The FDC has three modes of operation, PC/AT mode, PS/2 mode and Model 30 mode. These are determined by the state of IDENT and MFM, bits[3] and [2] respectively of L0-CRF0.

PC/AT mode - (IDENT high, MFM a "don't care")

The PC/AT register set is enabled, the DMA enable bit of the DOR becomes valid (The FDC's IRQ and DRQ can be hi-Z), and TC and DENSEL become active high signals.

PS/2 mode - (IDENT low, MFM high)

This mode supports the PS/2 models 50/60/80 configuration and register set. The DMA bit of the DOR becomes a "don't care", (The FDC's IRQ and DRQ are always valid), TC and DENSEL become active low.

Model 30 mode - (IDENT low, MFM low)

This mode supports PS/2 Model 30 configuration and register set. The DMA enable bit of the DOR becomes valid (The FDC's IRQ and DRQ can be hi-Z), TC is active high and DENSEL is active low.

DMA TRANSFERS

DMA transfers are enabled with the Specify command and are initiated by the FDC by activating its DRQ pin during a data transfer command. The FIFO is enabled directly by asserting nDACK and addresses need not be valid.

Note that if the DMA controller (i.e. 8237A) is programmed to function in verify mode, a pseudo read is performed by the FDC based only on nDACK. This mode is only available when the FDC has been configured into byte mode (FIFO disabled) and is programmed to do a read. With the FIFO

enabled, the FDC can perform the above operation by using the new Verify command; no DMA operation is needed.

CONTROLLER PHASES

For simplicity, command handling in the FDC can be divided into three phases: Command, Execution, and Result. Each phase is described in the following sections.

Command Phase

After a reset, the FDC enters the command phase and is ready to accept a command from the host. For each of the commands, a defined set of command code bytes and parameter bytes has to be written to the FDC before the command phase is complete. (Please refer to **Table 24** for the command set descriptions.) These bytes of data must be transferred in the order prescribed.

Before writing to the FDC, the host must examine the RQM and DIO bits of the Main Status Register. RQM and DIO must be equal to "1" and "0" respectively before command bytes may be written. RQM is set false by the FDC after each write cycle until the received byte is processed. The FDC asserts RQM again to request each parameter byte of the command unless an illegal command condition is detected. After the last parameter byte is received, RQM remains "0" and the FDC automatically enters the next phase as defined by the command definition.

The FIFO is disabled during the command phase to provide for the proper handling of the "Invalid Command" condition.

Execution Phase

All data transfers to or from the FDC occur during the execution phase, which can proceed in DMA or non-DMA mode as indicated in the Specify command.

After a reset, the FIFO is disabled. Each data byte is transferred by an FDC IRQ or DRQ depending on the DMA mode. The Configure command can enable the FIFO and set the FIFO threshold value.

The following paragraphs detail the operation of the FIFO flow control. In these descriptions, <threshold> is defined as the number of bytes available to the FDC when service is requested from the host and ranges from 1 to 16. The parameter FIFOTHR, which the user programs, is one less and ranges from 0 to 15.

A low threshold value (i.e. 2) results in longer periods of time between service requests, but requires faster servicing of the request for both read and write cases. The host reads (writes) from (to) the FIFO until empty (full), then the transfer request goes inactive. The host must be very responsive to the service request. This is the desired case for use with a "fast" system.

A high value of threshold (i.e. 12) is used with a "sluggish" system by affording a long latency period after a service request, but results in more frequent service requests.

Non-DMA Mode - Transfers from the FIFO to the Host

The FDC's IRQ pin and RQM bits in the Main Status Register are activated when the FIFO contains (16-<threshold>) bytes or the last bytes of a full sector have been placed in the FIFO. The FDC's IRQ pin can be used for interrupt-driven systems, and RQM can be used for polled systems. The host must respond to the request by reading data from the FIFO. This process is repeated until the last byte is transferred out of the FIFO. The FDC will deactivate the FDC's IRQ pin and RQM bit when the FIFO becomes empty.

Non-DMA Mode - Transfers from the Host to the FIFO

The FDC's IRQ pin and RQM bit in the Main Status Register are activated upon entering the execution phase of data transfer commands. The host must respond to the request by writing data into the FIFO. The FDC's IRQ pin and RQM bit remain true until the FIFO becomes full. They are set true again when the FIFO has <threshold> bytes remaining in the FIFO. The FDC's IRQ pin will also be deactivated if TC and nDACK both go inactive. The FDC enters the result phase after the last byte is taken by the FDC from the FIFO (i.e. FIFO empty condition).

DMA Mode - Transfers from the FIFO to the Host

The FDC activates the FDC's DRQ pin when the FIFO contains (16 - <threshold>) bytes, or the last byte of a full sector transfer has been placed in the FIFO. The DMA controller must respond to the request by reading data from the FIFO. The FDC will deactivate the FDC's DRQ pin when the FIFO becomes empty. FDC's DRQ goes inactive after nDACK goes active for the last byte of a data transfer (or on the active edge of nIOR, on the last byte, if no edge is present on nDACK). A data underrun may occur if FDC's DRQ is not removed in time to prevent an unwanted cycle.

DMA Mode - Transfers from the Host to the FIFO

The FDC activates the FDC's DRQ pin when entering the execution phase of the data transfer commands. The DMA controller must respond by activating the nDACK and nIOW pins placing data in the FIFO. FDC's DRQ remains active until the FIFO becomes full. The FDC's DRQ is again set true when the FIFO has <threshold> bytes remaining in the FIFO. The FDC will also deactivate the FDC's DRQ pin when TC becomes true (qualified by nDACK), indicating that no more data is required. The FDC's DRQ goes inactive after nDACK goes active for the last byte of a data transfer (or on the active edge of nIOW of the last byte, if no edge is present on nDACK). A data overrun may occur if the FDC's DRQ is not removed in time to prevent an unwanted cycle.

Data Transfer Termination

The FDC supports terminal count explicitly through the TC pin and implicitly through the underrun/overrun and end-of-track (EOT) functions. For full sector transfers, the EOT parameter can define the last sector to be transferred in a single or multi-sector transfer.

If the last sector to be transferred is a partial sector, the host can stop transferring the data in mid-sector, and the FDC will continue to complete the sector as if a hardware TC was received. The only difference between these implicit functions and TC is that they return "abnormal termination" result status. Such status indications can be ignored if they were expected.

Note that when the host is sending data to the FIFO of the FDC, the internal sector count will be complete when the FDC reads the last byte from its side of the FIFO. There may be a delay in the removal of the transfer request signal of up to the time taken for the FDC to read the last 16 bytes from the FIFO. The host must tolerate this delay.

Result Phase

The generation of the FDC's IRQ determines the beginning of the result phase. For each of the commands, a defined set of result bytes has to be read from the FDC before the result phase is complete. These bytes of data must be read out for another command to start.

RQM and DIO must both equal "1" before the result bytes may be read. After all the result bytes have been read, the RQM and DIO bits switch to "1" and "0" respectively, and the CB bit is cleared, indicating that the FDC is ready to accept the next command.

COMMAND SET/DESCRIPTIONS

Commands can be written whenever the FDC is in the command phase. Each command has a unique set of needed parameters and status results. The FDC checks to see that the first byte is a valid command and, if valid, proceeds with the command. If it is invalid, an interrupt is issued. The user sends a Sense Interrupt Status command which returns an invalid command error. Refer to **Table 24** for explanations of the various symbols used. Table 25 lists the required parameters and the results associated with each command that the FDC is capable of performing.

Table 24 - Description of FDC Command Symbols

SYMBOL	NAME	DESCRIPTION															
C	Cylinder Address	The currently selected address; 0 to 255.															
D	Data Pattern	The pattern to be written in each sector data field during formatting.															
D0, D1, D2, D3	Drive Select 0-3	Designates which drives are perpendicular drives on the Perpendicular Mode Command. A "1" indicates a perpendicular drive.															
DIR	Direction Control	If this bit is 0, then the head will step out from the spindle during a relative seek. If set to a 1, the head will step in toward the spindle.															
DS0, DS1	Disk Drive Select	<table border="1"> <thead> <tr> <th>DS1</th> <th>DS0</th> <th>DRIVE</th> </tr> </thead> <tbody> <tr> <td>0</td> <td>0</td> <td>drive 0</td> </tr> <tr> <td>0</td> <td>1</td> <td>drive 1</td> </tr> <tr> <td>1</td> <td>0</td> <td>drive 2</td> </tr> <tr> <td>1</td> <td>1</td> <td>drive 3</td> </tr> </tbody> </table>	DS1	DS0	DRIVE	0	0	drive 0	0	1	drive 1	1	0	drive 2	1	1	drive 3
DS1	DS0	DRIVE															
0	0	drive 0															
0	1	drive 1															
1	0	drive 2															
1	1	drive 3															
DTL	Special Sector Size	By setting N to zero (00), DTL may be used to control the number of bytes transferred in disk read/write commands. The sector size (N = 0) is set to 128. If the actual sector (on the diskette) is larger than DTL, the remainder of the actual sector is read but is not passed to the host during read commands; during write commands, the remainder of the actual sector is written with all zero bytes. The CRC check code is calculated with the actual sector. When N is not zero, DTL has no meaning and should be set to FF HEX.															
EC	Enable Count	When this bit is "1" the "DTL" parameter of the Verify command becomes SC (number of sectors per track).															
EFIFO	Enable FIFO	This active low bit when a 0, enables the FIFO. A "1" disables the FIFO (default).															
EIS	Enable Implied Seek	When set, a seek operation will be performed before executing any read or write command that requires the C parameter in the command phase. A "0" disables the implied seek.															
EOT	End of Track	The final sector number of the current track.															
GAP		Alters Gap 2 length when using Perpendicular Mode.															
GPL	Gap Length	The Gap 3 size. (Gap 3 is the space between sectors excluding the VCO synchronization field).															
H/HDS	Head Address	Selected head: 0 or 1 (disk side 0 or 1) as encoded in the sector ID field.															
HLT	Head Load Time	The time interval that FDC waits after loading the head and before initializing a read or write operation. Refer to the Specify command for actual delays.															

SYMBOL	NAME	DESCRIPTION														
HUT	Head Unload Time	The time interval from the end of the execution phase (of a read or write command) until the head is unloaded. Refer to the Specify command for actual delays.														
LOCK		Lock defines whether EFIFO, FIFOTHR, and PRETRK parameters of the CONFIGURE COMMAND can be reset to their default values by a "software Reset". (A reset caused by writing to the appropriate bits of either the DSR or DOR)														
MFM	MFM/FM Mode Selector	A one selects the double density (MFM) mode. A zero selects single density (FM) mode.														
MT	Multi-Track Selector	When set, this flag selects the multi-track operating mode. In this mode, the FDC treats a complete cylinder under head 0 and 1 as a single track. The FDC operates as this expanded track started at the first sector under head 0 and ended at the last sector under head 1. With this flag set, a multitrack read or write operation will automatically continue to the first sector under head 1 when the FDC finishes operating on the last sector under head 0.														
N	Sector Size Code	This specifies the number of bytes in a sector. If this parameter is "00", then the sector size is 128 bytes. The number of bytes transferred is determined by the DTL parameter. Otherwise the sector size is (2 raised to the "N'th" power) times 128. All values up to "07" hex are allowable. "07" would equal a sector size of 16k. It is the user's responsibility to not select combinations that are not possible with the drive.														
		<table> <thead> <tr> <th>N</th> <th>SECTOR SIZE</th> </tr> </thead> <tbody> <tr> <td>00</td> <td>128 bytes</td> </tr> <tr> <td>01</td> <td>256 bytes</td> </tr> <tr> <td>02</td> <td>512 bytes</td> </tr> <tr> <td>03</td> <td>1024 bytes</td> </tr> <tr> <td>...</td> <td>...</td> </tr> <tr> <td>07</td> <td>16 Kbytes</td> </tr> </tbody> </table>	N	SECTOR SIZE	00	128 bytes	01	256 bytes	02	512 bytes	03	1024 bytes	07	16 Kbytes
N	SECTOR SIZE															
00	128 bytes															
01	256 bytes															
02	512 bytes															
03	1024 bytes															
...	...															
07	16 Kbytes															
NCN	New Cylinder Number	The desired cylinder number.														
ND	Non-DMA Mode Flag	When set to 1, indicates that the FDC is to operate in the non-DMA mode. In this mode, the host is interrupted for each data transfer. When set to 0, the FDC operates in DMA mode, interfacing to a DMA controller by means of the DRQ and nDACK signals.														
OW	Overwrite	The bits D0-D3 of the Perpendicular Mode Command can only be modified if OW is set to 1. OW is defined in the Lock command.														

SYMBOL	NAME	DESCRIPTION
PCN	Present Cylinder Number	The current position of the head at the completion of Sense Interrupt Status command.
POLL	Polling Disable	When set, the internal polling routine is disabled. When clear, polling is enabled.
PRETRK	Precompensation Start Track Number	Programmable from track 00 to FFH.
R	Sector Address	The sector number to be read or written. In multi-sector transfers, this parameter specifies the sector number of the first sector to be read or written.
RCN	Relative Cylinder Number	Relative cylinder offset from present cylinder as used by the Relative Seek command.
SC	Number of Sectors Per Track	The number of sectors per track to be initialized by the Format command. The number of sectors per track to be verified during a Verify command when EC is set.
SK	Skip Flag	When set to 1, sectors containing a deleted data address mark will automatically be skipped during the execution of Read Data. If Read Deleted is executed, only sectors with a deleted address mark will be accessed. When set to "0", the sector is read or written the same as the read and write commands.
SRT	Step Rate Interval	The time interval between step pulses issued by the FDC. Programmable from 0.5 to 8 milliseconds in increments of 0.5 ms at the 1 Mbit data rate. Refer to the SPECIFY command for actual delays.
ST0 ST1 ST2 ST3	Status 0 Status 1 Status 2 Status 3	Registers within the FDC which store status information after a command has been executed. This status information is available to the host during the result phase after command execution.
WGATE	Write Gate	Alters timing of WE to allow for pre-erase loads in perpendicular drives.

FDC INSTRUCTION SET

Table 25 - FDC Instruction Set

READ DATA										
PHASE	R/W	DATA BUS								REMARKS
		D7	D6	D5	D4	D3	D2	D1	D0	
Command	W	MT	MFM	SK	0	0	1	1	0	Command Codes Sector ID information prior to Command execution.
	W	0	0	0	0	0	HD	DS1	DS0	
	W	_____ C _____								
	W	_____ H _____								
	W	_____ R _____								
	W	_____ N _____								
	W	_____ EOT _____								
	W	_____ GPL _____								
	W	_____ DTL _____								
Execution										Data transfer between the FDD and system.
Result	R	_____ ST0 _____								Status information after Command execution. Sector ID information after Command execution.
	R	_____ ST1 _____								
	R	_____ ST2 _____								
	R	_____ C _____								
	R	_____ H _____								
	R	_____ R _____								
	R	_____ N _____								

READ DELETED DATA												
PHASE	R/W	DATA BUS									REMARKS	
		D7	D6	D5	D4	D3	D2	D1	D0			
Command	W	MT	MFM	SK	0	1	1	0	0		Command Codes	
	W	0	0	0	0	0	HD	DS1	DS0			
							S					
	W				_____	C	_____					Sector ID information prior to Command execution.
	W				_____	H	_____					
	W				_____	R	_____					
	W				_____	N	_____					
	W				_____	EOT	_____					
	W				_____	GPL	_____					
W				_____	DTL	_____						
Execution										Data transfer between the FDD and system.		
Result	R				_____	ST0	_____				Status information after Command execution.	
	R				_____	ST1	_____					
	R				_____	ST2	_____					
	R				_____	C	_____				Sector ID information after Command execution.	
	R				_____	H	_____					
	R				_____	R	_____					
	R				_____	N	_____					

WRITE DATA											
PHASE	R/W	DATA BUS									REMARKS
		D7	D6	D5	D4	D3	D2	D1	D0		
Command	W	MT	MFM	0	0	0	1	0	1	Command Codes	
	W	0	0	0	0	0	HD	DS1	DS0		
							S				
	W						C				Sector ID information prior to Command execution.
	W						H				
	W						R				
	W						N				
	W						EOT				
	W						GPL				
W						DTL					
Execution									Data transfer between the FDD and system.		
Result	R						ST0			Status information after Command execution.	
	R						ST1				
	R						ST2				
	R						C			Sector ID information after Command execution.	
	R						H				
	R						R				
	R						N				

WRITE DELETED DATA											
PHASE	R/W	DATA BUS								REMARKS	
		D7	D6	D5	D4	D3	D2	D1	D0		
Command	W	MT	MFM	0	0	1	0	0	1	Command Codes	
	W	0	0	0	0	0	HDS	DS1	DS0		
	W	———— C —————									Sector ID information prior to Command execution.
	W	———— H —————									
	W	———— R —————									
	W	———— N —————									
	W	———— EOT —————									
	W	———— GPL —————									
	W	———— DTL —————									
Execution										Data transfer between the FDD and system.	
Result	R	———— ST0 —————								Status information after Command execution.	
	R	———— ST1 —————									
	R	———— ST2 —————									
	R	———— C —————								Sector ID information after Command execution.	
	R	———— H —————									
	R	———— R —————									
	R	———— N —————									

READ A TRACK										
PHASE	R/W	DATA BUS								REMARKS
		D7	D6	D5	D4	D3	D2	D1	D0	
Command	W	0	MF	0	0	0	0	1	0	Command Codes Sector ID information prior to Command execution.
	W	0	0	0	0	0	HDS	DS1	DS0	
	W	————— C —————								
	W	————— H —————								
	W	————— R —————								
	W	————— N —————								
	W	————— EOT —————								
	W	————— GPL —————								
	W	————— DTL —————								
Execution										
Result	R	————— ST0 —————								Status information after Command execution.
	R	————— ST1 —————								
	R	————— ST2 —————								
	R	————— C —————								Sector ID information after Command execution.
	R	————— H —————								
	R	————— R —————								
	R	————— N —————								

VERIFY										
PHASE	R/W	DATA BUS								REMARKS
		D7	D6	D5	D4	D3	D2	D1	D0	
Command	W	MT	MFM	SK	1	0	1	1	0	Command Codes Sector ID information prior to Command execution.
	W	EC	0	0	0	0	HDS	DS1	DS0	
	W				_____ C _____					
	W				_____ H _____					
	W				_____ R _____					
	W				_____ N _____					
	W				_____ EOT _____					
	W				_____ GPL _____					
Execution	W				_____ DTL/SC _____					No data transfer takes place.
Result	R				_____ ST0 _____					Status information after Command execution. Sector ID information after Command execution.
	R				_____ ST1 _____					
	R				_____ ST2 _____					
	R				_____ C _____					
	R				_____ H _____					
	R				_____ R _____					
	R				_____ N _____					

VERSION										
PHASE	R/W	DATA BUS								REMARKS
		D7	D6	D5	D4	D3	D2	D1	D0	
Command	W	0	0	0	1	0	0	0	0	Command Code
Result	R	1	0	0	1	0	0	0	0	Enhanced Controller

FORMAT A TRACK											
PHASE	R/W	DATA BUS								REMARKS	
		D7	D6	D5	D4	D3	D2	D1	D0		
Command	W	0	MFM	0	0	1	1	0	1	Command Codes	
	W	0	0	0	0	0	HDS	DS1	DS0		
	W										Bytes/Sector
	W										Sectors/Cylinder
	W										Gap 3
	W										Filler Byte
Execution for Each Sector Repeat:	W									Input Sector Parameters	
	W										
	W										
	W										
Result	R									FDC formats an entire cylinder Status information after Command execution	
	R										
	R										
	R										
	R										
	R										

RECALIBRATE										
PHASE	R/W	DATA BUS								REMARKS
		D7	D6	D5	D4	D3	D2	D1	D0	
Command	W	0	0	0	0	0	1	1	1	Command Codes
Execution	W	0	0	0	0	0	0	DS1	DS0	Head retracted to Track 0 Interrupt.

SENSE INTERRUPT STATUS										
PHASE	R/W	DATA BUS								REMARKS
		D7	D6	D5	D4	D3	D2	D1	D0	
Command	W	0	0	0	0	1	0	0	0	Command Codes Status information at the end of each seek operation.
Result	R	————— ST0 —————								
	R	————— PCN —————								

SPECIFY										
PHASE	R/W	DATA BUS								REMARKS
		D7	D6	D5	D4	D3	D2	D1	D0	
Command	W	0	0	0	0	0	0	1	1	Command Codes
	W	— SRT —				— HUT —				
	W	————— HLT —————							ND	

SENSE DRIVE STATUS										
PHASE	R/W	DATA BUS								REMARKS
		D7	D6	D5	D4	D3	D2	D1	D0	
Command	W	0	0	0	0	0	1	0	0	Command Codes Status information about FDD
Result	W	0	0	0	0	0	HDS	DS1	DS0	
	R	————— ST3 —————								

SEEK										
PHASE	R/W	DATA BUS								REMARKS
		D7	D6	D5	D4	D3	D2	D1	D0	
Command	W	0	0	0	0	1	1	1	1	Command Codes
	W	0	0	0	0	0	HDS	DS1	DS0	
Execution	W	————— NCN —————								

CONFIGURE										
PHASE	R/W	DATA BUS								REMARKS
		D7	D6	D5	D4	D3	D2	D1	D0	
Command	W	0	0	0	1	0	0	1	1	Configure Information
	W	0	0	0	0	0	0	0	0	
	W	0	EIS	EFIFO	POLL		— FIFOTHR —			
Execution	W	————— PRETRK —————								

RELATIVE SEEK										
PHASE	R/W	DATA BUS								REMARKS
		D7	D6	D5	D4	D3	D2	D1	D0	
Command	W	1	DI	0	0	1	1	1	1	
	W	0	R	0	0	0	HDS	DS1	DS0	
	W	————— RCN —————								

DUMPREG											
PHASE	R/W	DATA BUS								REMARKS	
		D7	D6	D5	D4	D3	D2	D1	D0		
Command	W	0	0	0	0	1	1	1	0	*Note: Registers placed in FIFO	
Execution Result	R	_____ PCN-Drive 0 _____									
	R	_____ PCN-Drive 1 _____									
	R	_____ PCN-Drive 2 _____									
	R	_____ PCN-Drive 3 _____									
	R	_____ SRT _____		_____ HUT _____							
	R	_____ HLT _____							ND		
	R	_____ SC/EOT _____									
	R	LOCK	0	D3	D2	D1	D0	GAP	WGATE		
	R	0	EIS	EFIFO	POLL		_____ FIFOTHR _____				
R	_____ PRETRK _____										

READ ID										
PHASE	R/W	DATA BUS								REMARKS
		D7	D6	D5	D4	D3	D2	D1	D0	
Command	W	0	MFM	0	0	1	0	1	0	Commands The first correct ID information on the Cylinder is stored in Data Register Status information after Command execution. Disk status after the Command has completed
Execution	W	0	0	0	0	0	HDS	DS1	DS0	
Result	R	_____ ST0 _____								
	R	_____ ST1 _____								
	R	_____ ST2 _____								
	R	_____ C _____								
	R	_____ H _____								
	R	_____ R _____								
	R	_____ N _____								

PERPENDICULAR MODE										
PHASE	R/W	DATA BUS								REMARKS
		D7	D6	D5	D4	D3	D2	D1	D0	
Command	W	0	0	0	1	0	0	1	0	Command Codes
		OW	0	D3	D2	D1	D0	GAP	WGATE	

INVALID CODES										
PHASE	R/W	DATA BUS								REMARKS
		D7	D6	D5	D4	D3	D2	D1	D0	
Command	W	———— Invalid Codes ————								Invalid Command Codes (NoOp - FDC goes into Standby State) ST0 = 80H
Result	R	———— ST0 ————								

LOCK										
PHASE	R/W	DATA BUS								REMARKS
		D7	D6	D5	D4	D3	D2	D1	D0	
Command	W	LOCK	0	0	1	0	1	0	0	Command Codes
Result	R	0	0	0	LOCK	0	0	0	0	

SC is returned if the last command that was issued was the Format command. EOT is returned if the last command was a Read or Write.

NOTE: These bits are used internally only. They are not reflected in the Drive Select pins. It is the user's responsibility to maintain correspondence between these bits and the Drive Select pins (DOR).

FDC DATA TRANSFER COMMANDS

All of the Read Data, Write Data and Verify type commands use the same parameter bytes and return the same results information, the only difference being the coding of bits 0-4 in the first byte.

An implied seek will be executed if the feature was enabled by the Configure command. This seek is completely transparent to the user. The Drive Busy bit for the drive will go active in the Main Status Register during the seek portion of the command. If the seek portion fails, it will be reflected in the results status normally returned for a Read/Write Data command. Status Register 0 (ST0) would contain the error code and C would contain the cylinder on which the seek failed.

Read Data

A set of nine (9) bytes is required to place the FDC in the Read Data Mode. After the Read Data command has been issued, the FDC loads the head (if it is in the unloaded state), waits the specified head settling time (defined in the Specify command), and begins reading ID Address Marks and ID fields. When the sector address read off the diskette matches with the sector address specified in the command, the FDC reads the sector's data field and transfers the data to the FIFO.

After completion of the read operation from the current sector, the sector address is incremented by one and the data from the next logical sector is read and output via the FIFO. This continuous read function is called "Multi-Sector Read Operation". Upon receipt of TC, or an implied TC (FIFO overrun/underrun), the FDC stops sending data but will continue to read data from the current sector, check the CRC bytes, and at the end of the sector, terminate the Read Data Command.

N determines the number of bytes per sector (see Table 26 below). If N is set to zero, the sector size is set to 128. The DTL value determines the number of bytes to be transferred. If DTL is less than 128, the FDC transfers the specified number of bytes to the host. For reads, it continues to read the entire 128-byte sector and checks for CRC errors. For writes, it completes the 128-byte sector by filling in zeros. If N is not set to 00 Hex, DTL should be set to FF Hex and has no impact on the number of bytes transferred.

Table 26 - Sector Sizes

N	SECTOR SIZE
00	128 bytes
01	256 bytes
02	512 bytes
03	1024 bytes
..	...
07	16 Kbytes

The amount of data which can be handled with a single command to the FDC depends upon MT (multi-track) and N (number of bytes/sector).

The Multi-Track function (MT) allows the FDC to read data from both sides of the diskette. For a particular cylinder, data will be transferred starting at Sector 1, Side 0 and completing the last sector of the same track at Side 1.

If the host terminates a read or write operation in the FDC, the ID information in the result phase is dependent upon the state of the MT bit and EOT byte.

At the completion of the Read Data command, the head is not unloaded until after the Head Unload Time Interval (specified in the Specify command) has elapsed. If the host issues another command before the head unloads, then the head settling time may be saved between subsequent reads.

If the FDC detects a pulse on the nINDEX pin twice without finding the specified sector (meaning that the diskette's index hole passes through index detect logic in the drive twice), the FDC sets the IC code in Status Register 0 to "01" indicating abnormal termination, sets the ND bit in Status Register 1 to "1" indicating a sector not found, and terminates the Read Data Command. After reading the ID and Data Fields in each sector, the FDC checks the CRC bytes. If a CRC error occurs in the ID or data field, the FDC sets the IC code in Status Register 0 to "01" indicating abnormal termination, sets the DE bit flag in Status Register 1 to "1", sets the DD bit in Status Register 2 to "1" if CRC is incorrect in the ID field, and terminates the Read Data Command. Table 28 describes the effect of the SK bit on the Read Data command execution and results. Except where noted in Table 28, the C or R value of the sector address is automatically incremented (see Table 30).

Table 27 - Effects of MT and N Bits

MT	N	MAXIMUM TRANSFER CAPACITY	FINAL SECTOR READ FROM DISK
0	1	256 x 26 = 6,656	26 at side 0 or 1
1	1	256 x 52 = 13,312	26 at side 1
0	2	512 x 15 = 7,680	15 at side 0 or 1
1	2	512 x 30 = 15,360	15 at side 1
0	3	1024 x 8 = 8,192	8 at side 0 or 1
1	3	1024 x 16 = 16,384	16 at side 1

Table 28 - Skip Bit vs Red Data Command

SK BIT VALUE	DATA ADDRESS MARK TYPE ENCOUNTERED	RESULTS		
		SECTOR READ?	CM BIT OF ST2 SET?	DESCRIPTION OF RESULTS
0	Normal Data	Yes	No	Normal termination.
0	Deleted Data	Yes	Yes	Address not incremented. Next sector not searched for.
1	Normal Data	Yes	No	Normal termination.
1	Deleted Data	No	Yes	Normal termination. Sector not read ("skipped").

Read Deleted Data

This command is the same as the Read Data command, only it operates on sectors that contain a Deleted Data Address Mark at the beginning of a Data Field. Table 29 describes the effect of the SK bit on the Read Deleted Data command execution and results.

Except where noted in Table 29, the C or R value of the sector address is automatically incremented (see Table 30).

Table 29 - Skip Bit vs. Read Deleted Data Command

SK BIT VALUE	DATA ADDRESS MARK TYPE ENCOUNTERED	RESULTS		
		SECTOR READ?	CM BIT OF ST2 SET?	DESCRIPTION OF RESULTS
0	Normal Data	Yes	Yes	Address not incremented. Next sector not searched for.
0	Deleted Data	Yes	No	Normal termination.
1	Normal Data	No	Yes	Normal termination. Sector not read

SK BIT VALUE	DATA ADDRESS MARK TYPE ENCOUNTERED	RESULTS		
		SECTOR READ?	CM BIT OF ST2 SET?	DESCRIPTION OF RESULTS
1	Deleted Data	Yes	No	("skipped"). Normal termination.

Read A Track

This command is similar to the Read Data command except that the entire data field is read continuously from each of the sectors of a track. Immediately after encountering a pulse on the nINDEX pin, the FDC starts to read all data fields on the track as continuous blocks of data without regard to logical sector numbers. If the FDC finds an error in the ID or DATA CRC check bytes, it continues to read data from the track and sets the appropriate error bits at the end of the command. The FDC compares the ID information read from each sector with the specified value in the command and sets the ND flag of Status Register 1 to a "1" if there is no comparison. Multi-track or skip operations are not allowed with this command. The MT and SK bits (bits D7 and D5 of the first command byte respectively) should always be set to "0".

This command terminates when the EOT specified number of sectors has not been read. If the FDC does not find an ID Address Mark on the diskette after the second occurrence of a pulse on the IDX pin, then it sets the IC code in Status Register 0 to "01" (abnormal termination), sets the MA bit in Status Register 1 to "1", and terminates the command.

Table 30 - Result Phase Table

MT	HEAD	FINAL SECTOR TRANSFERRED TO HOST	ID INFORMATION AT RESULT PHASE			
			C	H	R	N
0	0	Less than EOT	NC	NC	R + 1	NC
		Equal to EOT	C + 1	NC	01	NC
	1	Less than EOT	NC	NC	R + 1	NC
		Equal to EOT	C + 1	NC	01	NC
1	0	Less than EOT	NC	NC	R + 1	NC
		Equal to EOT	NC	LSB	01	NC
	1	Less than EOT	NC	NC	R + 1	NC
		Equal to EOT	C + 1	LSB	01	NC

NC: No Change, the same value as the one at the beginning of command execution.
 LSB: Least Significant Bit, the LSB of H is complemented.

Write Data

After the Write Data command has been issued, the FDC loads the head (if it is in the unloaded state), waits the specified head load time if unloaded (defined in the Specify command), and begins reading ID fields. When the sector address read from the diskette matches the sector address specified in the command, the FDC reads the data from the host via the FIFO and writes it to the sector's data field.

After writing data into the current sector, the FDC computes the CRC value and writes it into the CRC field at the end of the sector transfer. The Sector Number stored in "R" is incremented by one, and the FDC continues writing to the next data field. The FDC continues this "Multi-Sector Write Operation". Upon receipt of a terminal count signal or if a FIFO over/under run occurs while a data field is being written, then the remainder of the data field is filled with zeros.

The FDC reads the ID field of each sector and checks the CRC bytes. If it detects a CRC error in one of the ID fields, it sets the IC code in Status Register 0 to "01" (abnormal termination), sets the DE bit of Status Register 1 to "1", and terminates the Write Data command.

The Write Data command operates in much the same manner as the Read Data command. The following items are the same. Please refer to the Read Data Command for details:

- Transfer Capacity
- EN (End of Cylinder) bit
- ND (No Data) bit
- Head Load, Unload Time Interval
- ID information when the host terminates the command
- Definition of DTL when N = 0 and when N does not = 0

Write Deleted Data

This command is almost the same as the Write Data command except that a Deleted Data Address Mark is written at the beginning of the Data Field instead of the normal Data Address Mark. This command is typically used to mark a bad sector containing an error on the floppy disk.

Verify

The Verify command is used to verify the data stored on a disk. This command acts exactly like a Read Data command except that no data is transferred to the host. Data is read from the disk and CRC is computed and checked against the previously-stored value.

Because data is not transferred to the host, TC (pin 89) cannot be used to terminate this command. By setting the EC bit to "1", an implicit TC will be issued to the FDC. This implicit TC will occur when the SC value has decremented to 0 (an SC value of 0 will verify 256 sectors). This command can also be terminated by setting the EC bit to "0" and the EOT value equal to the final sector to be checked. If EC is set to "0", DTL/SC should be programmed to 0FFH. Refer to Table 30 and Table 31 for information concerning the values of MT and EC versus SC and EOT value.

Definitions:

Sectors Per Side = Number of formatted sectors per each side of the disk.

Sectors Remaining = Number of formatted sectors left which can be read, including side 1 of the disk if MT is set to "1".

Table 31 - Verify Command Result Phase Table

MT	EC	SC/EOT VALUE	TERMINATION RESULT
0	0	SC = DTL EOT ≤ # Sectors Per Side	Success Termination Result Phase Valid
0	0	SC = DTL EOT > # Sectors Per Side	Unsuccessful Termination Result Phase Invalid
0	1	SC ≤ # Sectors Remaining AND EOT ≤ # Sectors Per Side	Successful Termination Result Phase Valid
0	1	SC > # Sectors Remaining OR EOT > # Sectors Per Side	Unsuccessful Termination Result Phase Invalid
1	0	SC = DTL EOT ≤ # Sectors Per Side	Successful Termination Result Phase Valid
1	0	SC = DTL EOT > # Sectors Per Side	Unsuccessful Termination Result Phase Invalid
1	1	SC ≤ # Sectors Remaining AND EOT ≤ # Sectors Per Side	Successful Termination Result Phase Valid
1	1	SC > # Sectors Remaining OR EOT > # Sectors Per Side	Unsuccessful Termination Result Phase Invalid

NOTE: If MT is set to "1" and the SC value is greater than the number of remaining formatted sectors on Side 0, verifying will continue on Side 1 of the disk.

Format A Track

The Format command allows an entire track to be formatted. After a pulse from the IDX pin is detected, the FDC starts writing data on the disk including gaps, address marks, ID fields, and data fields per the IBM System 34 or 3740 format (MFM or FM respectively). The particular values that will be written to the gap and data field are controlled by the values programmed into N, SC, GPL, and D which are specified by the host during the command phase. The data field of the sector is filled with the data byte specified by D. The ID field for each sector is supplied by the host; that is, four data bytes per sector are needed by the FDC for C, H, R, and N (cylinder, head, sector number and sector size respectively).

After formatting each sector, the host must send new values for C, H, R and N to the FDC for the next sector on the track. The R value (sector number) is the only value that must be changed by the host after each sector is formatted. This allows the disk to be formatted with nonsequential sector addresses (interleaving). This incrementing and formatting continues for the whole track until the FDC encounters a pulse on the IDX pin again and it terminates the command.

Table 33 contains typical values for gap fields which are dependent upon the size of the sector and the number of sectors on each track. Actual values can vary due to drive electronics.

Table 32 - Diskette Format Fields

SYSTEM 34 (DOUBLE DENSITY) FORMAT

GAP4a 80x 4E	SYNC 12x 00	IAM		GAP1 50x 4E	SYNC 12x 00	IDAM		C Y L	H D	S E C	N O	C R C	GAP2 22x 4E	SYNC 12x 00	DATA AM		DATA	C R C	GAP3	GAP 4b
		3x C2	FC			3x A1	FE								3x A1	FB F8				

SYSTEM 3740 (SINGLE DENSITY) FORMAT

GAP4a 40x FF	SYNC 6x 00	IAM		GAP1 26x FF	SYNC 6x 00	IDAM		C Y L	H D	S E C	N O	C R C	GAP2 11x FF	SYNC 6x 00	DATA AM		DATA	C R C	GAP3	GAP 4b
		FC				FE									FB or F8					

PERPENDICULAR FORMAT

GAP4a 80x 4E	SYNC 12x 00	IAM		GAP1 50x 4E	SYNC 12x 00	IDAM		C Y L	H D	S E C	N O	C R C	GAP2 41x 4E	SYNC 12x 00	DATA AM		DATA	C R C	GAP3	GAP 4b
		3x C2	FC			3x A1	FE								3x A1	FB F8				

Table 33 - Typical Values for Formatting

	FORMA T	SECTOR SIZE	N	SC	GPL1	GPL2
5.25" Drives	FM	128	00	12	07	09
		128	00	10	10	19
		512	02	08	18	30
		1024	03	04	46	87
		2048	04	02	C8	FF
		4096	05	01	C8	FF
				
	MFM	256	01	12	0A	0C
		256	01	10	20	32
		512*	02	09	2A	50
		1024	03	04	80	F0
		2048	04	02	C8	FF
		4096	05	01	C8	FF
				
3.5" Drives	FM	128	0	0F	07	1B
		256	1	09	0F	2A
		512	2	05	1B	3A
	MFM	256	1	0F	0E	36
		512**	2	09	1B	54
		1024	3	05	35	74

GPL1 = suggested GPL values in Read and Write commands to avoid splice point between data field and ID field of contiguous sections.

GPL2 = suggested GPL value in Format A Track command.

*PC/AT values (typical)

**PS/2 values (typical). Applies with 1.0 MB and 2.0 MB drives.

NOTE: All values except sector size are in hex.

FDC CONTROL COMMANDS

Control commands differ from the other commands in that no data transfer takes place. Three commands generate an interrupt when complete: Read ID, Recalibrate, and Seek. The other control commands do not generate an interrupt.

Read ID

The Read ID command is used to find the present position of the recording heads. The FDC stores the values from the first ID field it is able to read into its registers. If the FDC does not find an ID address mark on the diskette after the second occurrence of a pulse on the nINDEX pin, it then sets the IC code in Status Register 0 to "01" (abnormal termination), sets the MA bit in Status Register 1 to "1", and terminates the command.

The following commands will generate an interrupt upon completion. They do not return any result bytes. It is highly recommended that control commands be followed by the Sense Interrupt Status command. Otherwise, valuable interrupt status information will be lost.

Recalibrate

This command causes the read/write head within the FDC to retract to the track 0 position. The FDC clears the contents of the PCN counter and checks the status of the nTR0 pin from the FDD. As long as the nTR0 pin is low, the DIR pin remains 0 and step pulses are issued. When the nTR0 pin goes high, the SE bit in Status Register 0 is set to "1" and the command is terminated. If the nTR0 pin is still low after 79 step pulses have been issued, the FDC sets the SE and the EC bits of Status Register 0 to "1" and terminates the command. Disks capable of handling more than 80 tracks per side may require more than one Recalibrate command to return the head back to physical Track 0.

The Recalibrate command does not have a result phase. The Sense Interrupt Status command must be issued after the Recalibrate command to effectively terminate it and to provide verification of the head position (PCN). During the command phase of the recalibrate operation, the FDC is in the BUSY state, but during the execution phase it is in a NON-BUSY state. At this time, another Recalibrate command may be issued, and in this manner parallel Recalibrate operations may be done on up to four drives at once.

Upon power up, the software must issue a Recalibrate command to properly initialize all drives and the controller.

Seek

The read/write head within the drive is moved from track to track under the control of the Seek command. The FDC compares the PCN, which is the current head position, with the NCN and performs the following operation if there is a difference:

- PCN < NCN: Direction signal to drive set to "1" (step in) and issues step pulses.
- PCN > NCN: Direction signal to drive set to "0" (step out) and issues step pulses.

The rate at which step pulses are issued is controlled by SRT (Stepping Rate Time) in the Specify command. After each step pulse is issued, NCN is compared against PCN, and when NCN = PCN the SE bit in Status Register 0 is set to "1" and the command is terminated.

During the command phase of the seek or recalibrate operation, the FDC is in the BUSY state, but during the execution phase it is in the NON-BUSY state. At this time, another Seek or Recalibrate command may be issued, and in this manner, parallel seek operations may be done on up to four drives at once.

Note that if implied seek is not enabled, the read and write commands should be preceded by:

- 1) Seek command - Step to the proper track
- 2) Sense Interrupt Status command - Terminate the Seek command
- 3) Read ID - Verify head is on proper track
- 4) Issue Read/Write command.

The Seek command does not have a result phase. Therefore, it is highly recommended that the Sense Interrupt Status command be issued after the Seek command to terminate it and to provide verification of the head position (PCN). The H bit (Head Address) in ST0 will always return to a "0". When exiting POWERDOWN mode, the FDC clears the PCN value and the status information to zero. Prior to issuing the POWERDOWN command, it is highly recommended that the user service all pending interrupts through the Sense Interrupt Status command.

Sense Interrupt Status

An interrupt signal on FDC's IRQ pin is generated by the FDC for one of the following reasons:

1. Upon entering the Result Phase of:
 - a. Read Data command
 - b. Read A Track command
 - c. Read ID command
 - d. Read Deleted Data command
 - e. Write Data command
 - f. Format A Track command
 - g. Write Deleted Data command
 - h. Verify command

2. End of Seek, Relative Seek, or Recalibrate command
3. FDC requires a data transfer during the execution phase in the non-DMA mode. The Sense Interrupt Status command resets the interrupt signal and, via the IC code and SE bit of Status Register 0, identifies the cause of the interrupt.

Table 34 - Interrupt Identification

SE	IC	INTERRUPT DUE TO
0	11	Polling
1	00	Normal termination of Seek or Recalibrate command
1	01	Abnormal termination of Seek or Recalibrate command

The Seek, Relative Seek, and Recalibrate commands have no result phase. The Sense Interrupt Status command must be issued immediately after these commands to terminate them and to provide verification of the head position (PCN). The H (Head Address) bit in ST0 will always return a "0". If a Sense Interrupt Status is not issued, the drive will continue to be BUSY and may affect the operation of the next command.

Sense Drive Status

Sense Drive Status obtains drive status information. It has no execution phase and goes directly to the result phase from the command phase. Status Register 3 contains the drive status information.

Specify

The Specify command sets the initial values for each of the three internal times. The HUT (Head Unload Time) defines the time from the end of the execution phase of one of the read/write commands to the head unload state. The SRT (Step Rate Time) defines the time interval between adjacent step pulses. Note that the spacing between the first and second step pulses may be shorter than the remaining step pulses. The HLT (Head Load Time) defines the time between when the Head Load signal goes high and the read/write operation starts. The values change with the data rate speed selection and are documented in **Table 35 - Drive Control Delays(ms)**

36. The values are the same for MFM and FM.

Table 35 - Drive Control Delays(ms)

	HUT					SRT				
	2M	1M	500K	300K	250K	2M	1M	500K	300K	250K
0	64	128	256	426	512	4	8	16	26.7	32
1	4	8	16	26.7	32	3.75	7.5	15	25	30
..
E	56	112	224	373	448	0.5	1	2	3.33	4
F	60	120	240	400	480	0.25	0.5	1	1.67	2

	HLT				
	2M	1M	500K	300K	250K
00	64	128	256	426	512
01	0.5	1	2	3.3	4
02	1	2	4	6.7	8
..
7F	63	126	252	420	504
7F	63.5	127	254	423	508

The choice of DMA or non-DMA operations is made by the ND bit. When this bit is "1", the non-DMA mode is selected, and when ND is "0", the DMA mode is selected. In DMA mode, data transfers are signalled by the FDC's DRQ pin. Non-DMA mode uses the RQM bit and the FDC's IRQ pin to signal data transfers.

Configure

The Configure command is issued to select the special features of the FDC. A Configure command need not be issued if the default values of the FDC meet the system requirements.

Configure Default Values:

EIS - No Implied Seeks
EFIFO - FIFO Disabled
POLL - Polling Enabled
FIFOTHR - FIFO Threshold Set to 1 Byte
PRETRK - Pre-Compensation Set to Track 0

EIS - Enable Implied Seek. When set to "1", the FDC will perform a Seek operation before executing a read or write command. Defaults to no implied seek.

EFIFO - A "1" disables the FIFO (default). This means data transfers are asked for on a byte-by-byte basis. Defaults to "1", FIFO disabled. The threshold defaults to "1".

POLL - Disable polling of the drives. Defaults to "0", polling enabled. When enabled, a single interrupt is generated after a reset. No polling is performed while the drive head is loaded and the head unload delay has not expired.

FIFOTHR - The FIFO threshold in the execution phase of read or write commands. This is programmable from 1 to 16 bytes. Defaults to one byte. A "00" selects one byte; "0F" selects 16 bytes.

PRETRK - Pre-Compensation Start Track Number. Programmable from track 0 to 255. Defaults to track 0. A "00" selects track 0; "FF" selects track 255.

Version

The Version command checks to see if the controller is an enhanced type or the older type (765A). A value of 90 H is returned as the result byte.

Relative Seek

The command is coded the same as for Seek, except for the MSB of the first byte and the DIR bit.

DIR	ACTION
0	Step Head Out
1	Step Head In

DIR Head Step Direction Control

RCN Relative Cylinder Number that determines how many tracks to step the head in or out from the current track number.

The Relative Seek command differs from the Seek command in that it steps the head the absolute number of tracks specified in the command instead of making a comparison against an internal register. The Seek command is good for drives that support a maximum of 256 tracks. Relative Seeks cannot be overlapped with other Relative Seeks. Only one Relative Seek can be active at a time. Relative Seeks may be overlapped with Seeks and Recalibrates. Bit 4 of Status Register 0 (EC) will be set if Relative Seek attempts to step outward beyond Track 0.

As an example, assume that a floppy drive has 300 useable tracks. The host needs to read track 300 and the head is on any track (0-255). If a Seek command is issued, the head will stop at track 255. If a Relative Seek command is issued, the FDC will move the head the specified number of tracks, regardless of the internal cylinder position register (but will increment the register). If the head was on track 40 (D), the maximum track that the FDC could position the head on using Relative Seek will be 295 (D), the initial track + 255 (D). The maximum count that the head can be moved with a single Relative Seek command is 255 (D).

The internal register, PCN, will overflow as the cylinder number crosses track 255 and will contain 39 (D). The resulting PCN value is thus $(RCN + PCN) \bmod 256$. Functionally, the FDC starts counting from 0 again as the track number goes above 255 (D). It is the user's responsibility to compensate FDC functions (precompensation track number) when accessing tracks greater than 255. The FDC does not keep track that it is working in an "extended track area" (greater than 255). Any command issued will use the current PCN value except for the Recalibrate command, which only looks for the TRACK0 signal. Recalibrate will return an error if the head is farther than 79 due to its limitation of issuing a maximum of 80 step pulses. The user simply needs to issue a second Recalibrate command. The Seek command and implied seeks will function correctly within the 44 (D) track (299-255) area of the "extended track area". It is the user's responsibility not to issue a new track position that will exceed the maximum track that is present in the extended area.

To return to the standard floppy range (0-255) of tracks, a Relative Seek should be issued to cross the track 255 boundary.

A Relative Seek can be used instead of the normal Seek, but the host is required to calculate the difference between the current head location and the new (target) head location. This may require the host to issue a Read ID command to ensure that the head is physically on the track that software assumes it to be. Different FDC commands will return different cylinder results which may be difficult to keep track of with software without the Read ID command.

Perpendicular Mode

The Perpendicular Mode command should be issued prior to executing Read/Write/Format commands that access a disk drive with perpendicular recording capability. With this command, the length of the Gap2 field and VCO enable timing can be altered to accommodate the unique requirements of these drives. Table 37 describes the effects of the WGATE and GAP bits for the Perpendicular Mode command. Upon a reset, the FDC will default to the conventional mode (WGATE = 0, GAP = 0).

Selection of the 500 Kbps and 1 Mbps perpendicular modes is independent of the actual data rate selected in the Data Rate Select Register. The user must ensure that these two data rates remain consistent.

The Gap2 and VCO timing requirements for perpendicular recording type drives are dictated by the design of the read/write head. In the design of this head, a pre-erase head precedes the normal read/write head by a distance of 200 micrometers. This works out to about 38 bytes at a 1 Mbps recording density. Whenever the write head is enabled by the Write Gate signal, the pre-erase head is also activated at the same time. Thus, when the write head is initially turned on, flux transitions recorded on the media for the first 38 bytes will not be preconditioned with the pre-erase head since it has not yet been activated. To accommodate this head activation and deactivation time, the Gap2 field is expanded to a length of 41 bytes. The format field illustrates the change in the Gap2 field size for the perpendicular format.

On the read back by the FDC, the controller must begin synchronization at the beginning of the sync field. For the conventional mode, the internal PLL VCO is enabled (VCOEN) approximately 24 bytes from the start of the Gap2 field. But, when the controller operates in the 1 Mbps perpendicular mode (WGATE = 1, GAP = 1), VCOEN goes active after 43 bytes to accommodate the increased Gap2 field size. For both cases, an approximate two-byte cushion is maintained from the beginning of the sync field for the purposes of avoiding write splices in the presence of motor speed variation.

For the Write Data case, the FDC activates Write Gate at the beginning of the sync field under the conventional mode. The controller then writes a new sync field, data address mark, data field, and CRC. With the pre-erase head of the perpendicular drive, the write head must be activated in the Gap2 field to insure a proper write of the new sync field. For the 1 Mbps perpendicular mode (WGATE = 1, GAP = 1), 38 bytes will be written in the Gap2 space. Since the bit density is proportional to the data rate, 19 bytes will be written in the Gap2 field for the 500 Kbps perpendicular mode (WGATE = 1, GAP = 0). It should be noted that none of the alterations in Gap2 size, VCO timing, or Write Gate timing affect normal program flow. The information provided here is just for background purposes and is not needed for normal operation. Once the Perpendicular Mode command is invoked, FDC software behavior from the user standpoint is unchanged.

The perpendicular mode command is enhanced to allow specific drives to be designated Perpendicular recording drives. This enhancement allows data transfers between Conventional and

Perpendicular drives without having to issue Perpendicular mode commands between the accesses of the different drive types, nor having to change write pre-compensation values.

When both GAP and WGATE bits of the PERPENDICULAR MODE COMMAND are both programmed to "0" (Conventional mode), then D0, D1, D2, D3, and D4 can be programmed independently to "1" for that drive to be set automatically to Perpendicular mode. In this mode the following set of conditions also apply:

1. The GAP2 written to a perpendicular drive during a write operation will depend upon the programmed data rate.
2. The write pre-compensation given to a perpendicular mode drive will be 0ns.
3. For D0-D3 programmed to "0" for conventional mode drives any data written will be at the currently programmed write pre-compensation.

Note: Bits D0-D3 can only be overwritten when OW is programmed as a "1". If either GAP or WGATE is a "1" then D0-D3 are ignored.

Software and hardware resets have the following effect on the PERPENDICULAR MODE COMMAND:

1. "Software" resets (via the DOR or DSR registers) will only clear GAP and WGATE bits to "0". D0-D3 are unaffected and retain their previous value.
2. "Hardware" resets will clear all bits (GAP, WGATE and D0-D3) to "0", i.e all conventional mode.

Table 36 - Effects of WGATE and GAP Bits

WGATE	GAP	MODE	LENGTH OF GAP2 FORMAT FIELD	PORION OF GAP 2 WRITTEN BY WRITE DATA OPERATION
0	0	Conventional	22 Bytes	0 Bytes
0	1	Perpendicular (500 Kbps)	22 Bytes	19 Bytes
1	0	Reserved (Conventional)	22 Bytes	0 Bytes
1	1	Perpendicular (1 Mbps)	41 Bytes	38 Bytes

LOCK

In order to protect systems with long DMA latencies against older application software that can disable the FIFO the LOCK Command has been added. This command should only be used by the FDC routines, and application software should refrain from using it. If an application calls for the FIFO to be disabled then the CONFIGURE command should be used.

The LOCK command defines whether the EFIFO, FIFOTHR, and PRETRK parameters of the CONFIGURE command can be RESET by the DOR and DSR registers. When the LOCK bit is set to logic "1" all subsequent "software RESETS by the DOR and DSR registers will not change the previously set parameters to their default values. All "hardware" RESET from the RESET pin will set the LOCK bit to logic "0" and return the EFIFO, FIFOTHR, and PRETRK to their default values. A status byte is returned immediately after issuing a LOCK command. This byte reflects the value of the LOCK bit set by the command byte.

ENHANCED DUMPREG

The DUMPREG command is designed to support system run-time diagnostics and application software development and debug. To accommodate the LOCK command and the enhanced PERPENDICULAR MODE command the eighth byte of the DUMPREG command has been modified to contain the additional data from these two commands.

COMPATIBILITY

The FDC37C957FR was designed with software compatibility in mind. It is a fully backwards-compatible solution with the older generation 765A/B disk controllers. The FDC also implements on-board registers for compatibility with the PS/2, as well as PC/AT and PC/XT, floppy disk controller subsystems. After a hardware reset of the FDC, all registers, functions and enhancements default to a PC/AT, PS/2 or PS/2 Model 30 compatible operating mode, depending on how the IDENT and MFM bits are configured by the system BIOS.

Parallel Port Floppy Disk Controller

Refer to the the Parallel Port Section for details.

Hot Swappable FDD Capability

The FDC output pins will tri-state whenever the FDC Logical Device is powered-down or not activated. In addition setting bit-7 of the FDD Mode Configuration register (LD0_CRF0) will tri-state the FDC output pins. Bit-7 only affects the standard FDC interface, it has no effect on the Parallel Port Floppy Interface.

The following table illustrates the state of the FDC and Parallel Port FDC pins for combinations of 1) the FDC Output Control bit; 2) the Activate bit; and 3) the FDC power-down state.

FDD Mode Register, Bit[7]	Activate Bit	FDC in Power Down	FDC pins	Parallel Port FDC pins
X	0	X	Hi-Z	Hi-Z
X	1	Y	Hi-Z	Hi-Z
0	1	N	Active	Active
1	1	N	Hi-Z	Active

When the FDC is disabled, powered down or inactive the FDC output pins will tri-state allowing 'Hot-Swapping' of the Floppy Disk Drive. The following table lists the five control/configuration mechanisms that power down or deactivate the FDC logical device.

Mechanism	FDC Output pins State				
	Tri-State	Tri-State	Tri-State	Tri-State	Tri-State
				Note: DSR pwr down overrides auto pwr down.	Note: outputs tri-state only if all of the required auto power down conditions are met, otherwise outputs are active. See Auto Power Management Section of the 93x Data Sheet.
<u>FDC Logical Dev Activate bit</u> =0: FDC LD deactivated =1: FDC LD activated Refer to the description of the FDC Logical Device Configuration register 0x30 in the Configuration section of the Orion Specification.	0	X	1	1	1
<u>FDC Logical Dev Base Address</u> 0x100 ≤ Base ≤ 0x0FF8: FDC LD Base Address Valid. 0xFFFF < Base < 0x100: FDC LD Base Address Invalid.	X	INVALID BASE ADDRES S	VALID BASE ADDRES S	VALID BASE ADDRESS	VALID BASE ADDRESS

Mechanism	FDC Output pins State				
Refer to the description of the FDC Base I/O Address registers in the Configuration section of the Orion Specification.					
<u>GCR 0x22 bit-0 (FDC Power)</u> =0: Power Off =1: Power On Refer to the description of the Global Config Register 0x22 in the Configuration section of the Orion Specification.	X	X	0	1	1
<u>DSR, bit-6 (pwr down)</u> =0: Normal Run =1: Manual Pwr down Refer to the description of the DSR in the Floppy Disk Controller section of any SMC Super or Ultra I/O data sheet.	X	X	X	1	0
<u>GCR 0x23 bit-0 (FDC auto power management)</u> =1: Pwr Mngnt on =0: Pwr Mngnt off Refer to the description of the Global Config Register 0x23 in the Configuration section of the Orion Specification.	X	X	X	X	1

Note: FDC Output pins = nWDATA, DRVDEN0, nHDSELM nWGATE, nDIR, nSTEP, nDS1, nDS0, nMTR0, nMTR1.

SERIAL PORT (UART)

The FDC37C957FR incorporates two full function UARTs. They are compatible with the NS16450, the 16450 ACE registers and the NS16550A. The UARTS perform serial-to-parallel conversion on received characters and parallel-to-serial conversion on transmit characters. The data rates are independently programmable from 460.8K baud down to 50 baud. The character options are programmable for 1 start; 1, 1.5 or 2 stop bits; even, odd, sticky or no parity; and prioritized interrupts. The UARTs each contain a programmable baud rate generator that is capable of dividing the input clock or crystal by a number from 1 to 65535. The UARTs are also capable of supporting the MIDI data rate. Refer to the Configuration Registers for information on disabling, power down and changing the base address of the UARTs. The interrupt from a UART is enabled by programming OUT2 of that UART to a logic "1". OUT2 being a logic "0" disables that UART's interrupt. The second UART also supports IrDA, HP-SIR and ASK-IR infrared modes of operation.

REGISTER DESCRIPTION

Addressing of the accessible registers of the Serial Port is shown below. The base addresses of the serial ports are defined by the configuration registers (see Configuration section). The Serial Port registers are located at sequentially increasing addresses above these base addresses. The FDC37C957FR contains two serial ports, each of which contain a register set as described below.

Table 37 - Addressing the Serial Port

DLAB*	A2	A1	A0	REGISTER NAME
0	0	0	0	Receive Buffer (read)
0	0	0	0	Transmit Buffer (write)
0	0	0	1	Interrupt Enable (read/write)
X	0	1	0	Interrupt Identification (read)
X	0	1	0	FIFO Control (write)
X	0	1	1	Line Control (read/write)
X	1	0	0	Modem Control (read/write)
X	1	0	1	Line Status (read/write)
X	1	1	0	Modem Status (read/write)
X	1	1	1	Scratchpad (read/write)
1	0	0	0	Divisor LSB (read/write)
1	0	0	1	Divisor MSB (read/write)

NOTE: DLAB is Bit 7 of the Line Control Register

The following section describes the operation of the registers.

RECEIVE BUFFER REGISTER (RB)

Address Offset = 0H, DLAB = 0, READ ONLY

This register holds the received incoming data byte. Bit 0 is the least significant bit, which is transmitted and received first. Received data is double buffered; this uses an additional shift register to receive the serial data stream and convert it to a parallel 8 bit word which is transferred to the Receive Buffer register. The shift register is not accessible.

TRANSMIT BUFFER REGISTER (TB)

Address Offset = 0H, DLAB = 0, WRITE ONLY

This register contains the data byte to be transmitted. The transmit buffer is double buffered, utilizing an additional shift register (not accessible) to convert the 8 bit data word to a serial format. This shift register is loaded from the Transmit Buffer when the transmission of the previous byte is complete.

INTERRUPT ENABLE REGISTER (IER)

Address Offset = 1H, DLAB = 0, READ/WRITE

The lower four bits of this register control the enables of the five interrupt sources of the Serial Port interrupt. It is possible to totally disable the interrupt system by resetting bits 0 through 3 of this register. Similarly, setting the appropriate bits of this register to a high, selected interrupts can be enabled. Disabling the interrupt system inhibits the Interrupt Identification Register and disables any Serial Port interrupt out of the FDC37C957FR. All other system functions operate in their normal manner, including the Line Status and MODEM Status Registers. The contents of the Interrupt Enable Register are described below.

Bit 0

This bit enables the Received Data Available Interrupt (and timeout interrupts in the FIFO mode) when set to logic "1".

Bit 1

This bit enables the Transmitter Holding Register Empty Interrupt when set to logic "1".

Bit 2

This bit enables the Received Line Status Interrupt when set to logic "1". The error sources causing the interrupt are Overrun, Parity, Framing and Break. The Line Status Register must be read to determine the source.

Bit 3

This bit enables the MODEM Status Interrupt when set to logic "1". This is caused when one of the Modem Status Register bits changes state.

Bits 4 through 7

These bits are always logic "0".

FIFO CONTROL REGISTER (FCR)

Address Offset = 2H, DLAB = X, WRITE

This is a write only register at the same location as the IIR. This register is used to enable and clear the FIFOs, set the RCVR FIFO trigger level. Note: DMA is not supported.

Bit 0

Setting this bit to a logic "1" enables both the XMIT and RCVR FIFOs. Clearing this bit to a logic "0" disables both the XMIT and RCVR FIFOs and clears all bytes from both FIFOs. When changing from FIFO Mode to non-FIFO (16450) mode, data is automatically cleared from the FIFOs. This bit must be a 1 when other bits in this register are written to or they will not be properly programmed.

Bit 1

Setting this bit to a logic "1" clears all bytes in the RCVR FIFO and resets its counter logic to 0. The shift register is not cleared. This bit is self-clearing.

Bit 2

Setting this bit to a logic "1" clears all bytes in the XMIT FIFO and resets its counter logic to 0. The shift register is not cleared. This bit is self-clearing.

Bit 3

Writing to this bit has no effect on the operation of the UART. The RXRDY and TXRDY pins are not available on this chip.

Bit 4,5

Reserved

Bit 6,7

These bits are used to set the trigger level for the RCVR FIFO interrupt.

BIT 7	BIT 6	RCVR FIFO TRIGGER LEVEL (BYTES)
0	0	1
0	1	4
1	0	8
1	1	14

INTERRUPT IDENTIFICATION REGISTER (IIR)

Address Offset = 2H, DLAB = X, READ

By accessing this register, the host CPU can determine the highest priority interrupt and its source. Four levels of priority interrupt exist. They are in descending order of priority:

1. Receiver Line Status (highest priority)
2. Received Data Ready

3. Transmitter Holding Register Empty
4. MODEM Status (lowest priority)

Information indicating that a prioritized interrupt is pending and the source of that interrupt is stored in the Interrupt Identification Register (refer to Interrupt Control Table). When the CPU accesses the IIR, the Serial Port freezes all interrupts and indicates the highest priority pending interrupt to the CPU. During this CPU access, even if the Serial Port records new interrupts, the current indication does not change until access is completed. The contents of the IIR are described below.

Bit 0

This bit can be used in either a hardwired prioritized or polled environment to indicate whether an interrupt is pending. When bit 0 is a logic "0", an interrupt is pending and the contents of the IIR may be used as a pointer to the appropriate internal service routine. When bit 0 is a logic "1", no interrupt is pending.

Bits 1 and 2

These two bits of the IIR are used to identify the highest priority interrupt pending as indicated by the Interrupt Control Table.

Bit 3

In non-FIFO mode, this bit is a logic "0". In FIFO mode this bit is set along with bit 2 when a timeout interrupt is pending.

Bits 4 and 5

These bits of the IIR are always logic "0".

Bits 6 and 7

These two bits are set when the FIFO CONTROL Register bit 0 equals 1.

Table 38 - Interrupt Control Table

FIFO MODE ONLY	INTERRUPT IDENTIFICATION REGISTER			INTERRUPT SET AND RESET FUNCTIONS			
	BIT 3	BIT 2	BIT 1	BIT 0	PRIORITY LEVEL	INTERRUPT TYPE	INTERRUPT SOURCE
0	0	0	1	-	None	None	-
0	1	1	0	Highest	Receiver Line Status	Overrun Error, Parity Error, Framing Error or Break Interrupt	Reading the Line Status Register
0	1	0	0	Second	Received Data Available	Receiver Data Available	Read Receiver Buffer or the FIFO drops below the trigger level.
1	1	0	0	Second	Character Timeout Indication	No Characters Have Been Removed From or Input to the RCVR FIFO during the last 4 Char times and there is at least 1 char in it during this time	Reading the Receiver Buffer Register

FIFO MODE ONLY	INTERRUPT IDENTIFICATION REGISTER			INTERRUPT SET AND RESET FUNCTIONS			
	BIT 3	BIT 2	BIT 1	BIT 0	PRIORITY LEVEL	INTERRUPT TYPE	INTERRUPT SOURCE
0	0	1	0	Third	Transmitter Holding Register Empty	Transmitter Holding Register Empty	Reading the IIR Register (if Source of Interrupt) or Writing the Transmitter Holding Register
0	0	0	0	Fourth	MODEM Status	Clear to Send or Data Set Ready or Ring Indicator or Data Carrier Detect	Reading the MODEM Status Register

LINE CONTROL REGISTER (LCR)

Address Offset = 3H, DLAB = 0, READ/WRITE

This register contains the format information of the serial line. The bit definitions are:

Bits 0 and 1

These two bits specify the number of bits in each transmitted or received serial character. The encoding of bits 0 and 1 is as follows:

BIT 1	BIT 0	WORD LENGTH
0	0	5 Bits
0	1	6 Bits
1	0	7 Bits
1	1	8 Bits

The Start, Stop and Parity bits are not included in the word length.

Bit 2

This bit specifies the number of stop bits in each transmitted or received serial character. The table on the following page summarizes the information.

BIT 2	WORD LENGTH	NUMBER OF STOP BITS
0	--	1
1	5 bits	1.5
1	6 bits	2
1	7 bits	2
1	8 bits	2

Note: The receiver will ignore all stop bits beyond the first, regardless of the number used in transmitting.

Bit 3

Parity Enable bit. When bit 3 is a logic "1", a parity bit is generated (transmit data) or checked (receive data) between the last data word bit and the first stop bit of the serial data. (The parity bit is used to generate an even or odd number of 1s when the data word bits and the parity bit are summed).

Bit 4

Even Parity Select bit. When bit 3 is a logic "1" and bit 4 is a logic "0", an odd number of logic "1"s is transmitted or checked in the data word bits and the parity bit. When bit 3 is a logic "1" and bit 4 is a logic "1" an even number of bits is transmitted and checked.

Bit 5

Stick Parity bit. When bit 3 is a logic "1" and bit 5 is a logic "1", the parity bit is transmitted and then detected by the receiver in the opposite state indicated by bit 4.

Bit 6

Set Break Control bit. When bit 6 is a logic "1", the transmit data output (TXD) is forced to the Spacing or logic "0" state and remains there (until reset by a low level bit 6) regardless of other transmitter activity. This feature enables the Serial Port to alert a terminal in a communications system.

Bit 7

Divisor Latch Access bit (DLAB). It must be set high (logic "1") to access the Divisor Latches of the Baud Rate Generator during read or write operations. It must be set low (logic "0") to access the Receiver Buffer Register, the Transmitter Holding Register, or the Interrupt Enable Register.

MODEM CONTROL REGISTER (MCR)

Address Offset = 4H, DLAB = X, READ/WRITE

This 8 bit register controls the interface with the MODEM or data set (or device emulating a MODEM). The contents of the MODEM control register are described below.

Bit 0

This bit controls the Data Terminal Ready (nDTR) output. When bit 0 is set to a logic "1", the nDTR output is forced to a logic "0". When bit 0 is a logic "0", the nDTR output is forced to a logic "1".

Bit 1

This bit controls the Request To Send (nRTS) output. Bit 1 affects the nRTS output in a manner identical to that described above for bit 0.

Bit 2

This bit controls the Output 1 (OUT1) bit. This bit does not have an output pin and can only be read or written by the CPU.

Bit 3

Output 2 (OUT2). This bit is used to enable an UART interrupt. When OUT2 is a logic "0", the serial port interrupt output is forced to a high impedance state - disabled. When OUT2 is a logic "1", the serial port interrupt outputs are enabled.

Bit 4

This bit provides the loopback feature for diagnostic testing of the Serial Port. When bit 4 is set to logic "1", the following occur:

1. The TXD is set to the Marking State(logic "1").
2. The receiver Serial Input (RXD) is disconnected.
3. The output of the Transmitter Shift Register is "looped back" into the Receiver Shift Register input.
4. All MODEM Control inputs (nCTS, nDSR, nRI and nDCD) are disconnected.
5. The four MODEM Control outputs (nDTR, nRTS, OUT1 and OUT2) are internally connected to the four MODEM Control inputs (nDSR, nCTS, RI, DCD).
6. The Modem Control output pins are forced inactive high.
7. Data that is transmitted is immediately received.

This feature allows the processor to verify the transmit and receive data paths of the Serial Port. In the diagnostic mode, the receiver and the transmitter interrupts are fully operational. The MODEM Control Interrupts are also operational but the interrupts' sources are now the lower four bits of the MODEM Control Register instead of the MODEM Control inputs. The interrupts are still controlled by the Interrupt Enable Register.

Bits 5 through 7

These bits are permanently set to logic zero.

LINE STATUS REGISTER (LSR)

Address Offset = 5H, DLAB = X, READ/WRITE

Bit 0

Data Ready (DR). It is set to a logic "1" whenever a complete incoming character has been received and transferred into the Receiver Buffer Register or the FIFO. Bit 0 is reset to a logic "0" by reading all of the data in the Receive Buffer Register or the FIFO.

Bit 1

Overrun Error (OE). Bit 1 indicates that data in the Receiver Buffer Register was not read before the next character was transferred into the register, thereby destroying the previous character. In FIFO mode, an overrun error will occur only when the FIFO is full and the next character has been completely received in the shift register, the character in the shift register is overwritten but not transferred to the FIFO. The OE indicator is set to a logic "1" immediately upon detection of an overrun condition, and reset whenever the Line Status Register is read.

Bit 2

Parity Error (PE). Bit 2 indicates that the received data character does not have the correct even or odd parity, as selected by the even parity select bit. The PE is set to a logic "1" upon detection of a parity error and is reset to a logic "0" whenever the Line Status Register is read. In the FIFO mode this error is associated with the particular character in the FIFO it applies to. This error is indicated when the associated character is at the top of the FIFO.

Bit 3

Framing Error (FE). Bit 3 indicates that the received character did not have a valid stop bit. Bit 3 is set to a logic "1" whenever the stop bit following the last data bit or parity bit is detected as a zero bit (Spacing level). The FE is reset to a logic "0" whenever the Line Status Register is read. In the FIFO mode this error is associated with the particular character in the FIFO it applies to. This error is indicated when the associated character is at the top of the FIFO. The Serial Port will try to resynchronize after a framing error. To do this, it assumes that the framing error was due to the next start bit, so it samples this 'start' bit twice and then takes in the 'data'.

Bit 4

Break Interrupt (BI). Bit 4 is set to a logic "1" whenever the received data input is held in the Spacing state (logic "0") for longer than a full word transmission time (that is, the total time of the start bit + data bits + parity bits + stop bits). The BI is reset after the CPU reads the contents of the Line Status Register. In the FIFO mode this error is associated with the particular character in the FIFO it applies to. This error is indicated when the associated character is at the top of the FIFO. When break occurs only one zero character is loaded into the FIFO. Restarting after a break is received, requires the serial data (RXD) to be logic "1" for at least 1/2 bit time.

Note: Bits 1 through 4 are the error conditions that produce a Receiver Line Status Interrupt whenever any of the corresponding conditions are detected and the interrupt is enabled.

Bit 5

Transmitter Holding Register Empty (THRE). Bit 5 indicates that the Serial Port is ready to accept a new character for transmission. In addition, this bit causes the Serial Port to issue an interrupt when the Transmitter Holding Register interrupt enable is set high. The THRE bit is set to a logic "1" when a character is transferred from the Transmitter Holding Register into the Transmitter Shift Register. The bit is reset to logic "0" whenever the CPU loads the Transmitter Holding Register. In the FIFO mode this bit is set when the XMIT FIFO is empty, it is cleared when at least 1 byte is written to the XMIT FIFO. Bit 5 is a read only bit.

Bit 6

Transmitter Empty (TEMT). Bit 6 is set to a logic "1" whenever the Transmitter Holding Register (THR) and Transmitter Shift Register (TSR) are both empty. It is reset to logic "0" whenever either the THR or TSR contains a data character. Bit 6 is a read only bit. In the FIFO mode this bit is set whenever the THR and TSR are both empty,

Bit 7

This bit is permanently set to logic "0" in the 450 mode. In the FIFO mode, this bit is set to a logic "1" when there is at least one parity error, framing error or break indication in the FIFO. This bit is cleared when the LSR is read if there are no subsequent errors in the FIFO.

MODEM STATUS REGISTER (MSR)

Address Offset = 6H, DLAB = X, READ/WRITE

This 8 bit register provides the current state of the control lines from the MODEM (or peripheral device). In addition to this current state information, four bits of the MODEM Status Register (MSR) provide change information. These bits are set to logic "1" whenever a control input from the MODEM changes state. They are reset to logic "0" whenever the MODEM Status Register is read.

Bit 0

Delta Clear To Send (DCTS). Bit 0 indicates that the nCTS input to the chip has changed state since the last time the MSR was read.

Bit 1

Delta Data Set Ready (DDSR). Bit 1 indicates that the nDSR input has changed state since the last time the MSR was read.

Bit 2

Trailing Edge of Ring Indicator (TERI). Bit 2 indicates that the nRI input has changed from logic "0" to logic "1".

Bit 3

Delta Data Carrier Detect (DDCD). Bit 3 indicates that the nDCD input to the chip has changed state. NOTE: Whenever bit 0, 1, 2, or 3 is set to a logic "1", a MODEM Status Interrupt is generated.

Bit 4

This bit is the complement of the Clear To Send (nCTS) input. If bit 4 of the MCR is set to logic "1", this bit is equivalent to nRTS in the MCR.

Bit 5

This bit is the complement of the Data Set Ready (nDSR) input. If bit 4 of the MCR is set to logic "1", this bit is equivalent to DTR in the MCR.

Bit 6

This bit is the complement of the Ring Indicator (nRI) input. If bit 4 of the MCR is set to logic "1", this bit is equivalent to OUT1 in the MCR.

Bit 7

This bit is the complement of the Data Carrier Detect (nDCD) input. If bit 4 of the MCR is set to logic "1", this bit is equivalent to OUT2 in the MCR.

SCRATCHPAD REGISTER (SCR)

Address Offset =7H, DLAB =X, READ/WRITE

This 8 bit read/write register has no effect on the operation of the Serial Port. It is intended as a scratchpad register to be used by the programmer to hold data temporarily.

PROGRAMMABLE BAUD RATE GENERATOR

(AND DIVISOR LATCHES DLH, DLL)

The Serial Port contains a programmable Baud Rate Generator that is capable of taking any clock input (DC to 3 MHz) and dividing it by any divisor from 1 to 65535. This output frequency of the Baud Rate Generator is 16x the Baud rate. Two 8 bit latches store the divisor in 16 bit binary format. These Divisor Latches must be loaded during initialization in order to insure desired operation of the Baud Rate Generator. Upon loading either of the Divisor Latches, a 16 bit Baud counter is immediately loaded. This prevents long counts on initial load. If a 0 is loaded into the BRG registers the output divides the clock by the number 3. If a 1 is loaded the output is the inverse of the input oscillator. If a two is loaded the output is a divide by 2 signal with a 50% duty cycle. If a 3 or greater is loaded the output is low for 2 bits and high for the remainder of the count. The input clock to the BRG is the 24 MHz crystal divided by 13, giving a 1.8462 MHz clock.

Table 39 shows the baud rates possible with a 1.8462 MHz crystal.

Table 39 - UART Baud Rates

DESIRED BAUD RATE	DIVISOR USED TO GENERATE 16X CLOCK	PERCENT ERROR DIFFERENCE BETWEEN DESIRED AND ACTUAL*	CRxx: BIT 7 OR 6
50	2304	0.001	X
75	1536	-	X
110	1047	-	X
134.5	857	0.004	X
150	768	-	X
300	384	-	X
600	192	-	X
1200	96	-	X
1800	64	-	X
2000	58	0.005	X
2400	48	-	X
3600	32	-	X
4800	24	-	X
7200	16	-	X
9600	12	-	X
19200	6	-	X
38400	3	0.030	X
57600	2	0.16	X
115200	1	0.16	X
230400	32770	0.16	1
460800	32769	0.16	1

*Note: The percentage error for all baud rates, except where indicated otherwise, is 0.2%.
Baud Rates

Using 1.8462 MHz Clock for <=38.4k;
Using 1.843 MHz Clock for 115.2k;
Using 3.6864 MHz Clock for 230.4k;
Using 7.3728 MHz Clock for 460.8k

FIFO INTERRUPT MODE OPERATION

When the RCVR FIFO and receiver interrupts are enabled (FCR bit 0 = "1", IER bit 0 = "1"), RCVR interrupts occur as follows:

- A. The receive data available interrupt will be issued when the FIFO has reached its programmed trigger level; it is cleared as soon as the FIFO drops below its programmed trigger level.
- B. The IIR receive data available indication also occurs when the FIFO trigger level is reached. It is cleared when the FIFO drops below the trigger level.
- C. The receiver line status interrupt (IIR=06H), has higher priority than the received data available (IIR=04H) interrupt.
- D. The data ready bit (LSR bit 0) is set as soon as a character is transferred from the shift register to the RCVR FIFO. It is reset when the FIFO is empty.

When RCVR FIFO and receiver interrupts are enabled, RCVR FIFO timeout interrupts occur as follows:

- A. A FIFO timeout interrupt occurs if all the following conditions exist:
 - at least one character is in the FIFO
 - The most recent serial character received was longer than 4 continuous character times ago. (If 2 stop bits are programmed, the second one is included in this time delay.)
 - The most recent CPU read of the FIFO was longer than 4 continuous character times ago.

This will cause a maximum character received to interrupt issued delay of 160 msec at 300 BAUD with a 12 bit character.

- B. Character times are calculated by using the RCLK input for a clock signal (this makes the delay proportional to the baudrate).
- C. When a timeout interrupt has occurred it is cleared and the timer reset when the CPU reads one character from the RCVR FIFO.
- D. When a timeout interrupt has not occurred the timeout timer is reset after a new character is received or after the CPU reads the RCVR FIFO.

When the XMIT FIFO and transmitter interrupts are enabled (FCR bit 1 = "1", IER bit 1 = "1"), XMIT interrupts occur as follows:

- A. The transmitter holding register interrupt (02H) occurs when the XMIT FIFO is empty; it is cleared as soon as the transmitter holding register is written to (1 of 16 characters may be written to the XMIT FIFO while servicing this interrupt) or the IIR is read.

- B. The transmitter FIFO empty indications will be delayed 1 character time minus the last stop bit time whenever the following occurs: THRE=1 and there have not been at least two bytes at the same time in the transmitter FIFO since the last THRE=1. The transmitter interrupt after changing FCR0 will be immediate, if it is enabled.

Character timeout and RCVR FIFO trigger level interrupts have the same priority as the current received data available interrupt; XMIT FIFO empty has the same priority as the current transmitter holding register empty interrupt.

FIFO POLLED MODE OPERATION

With FCR bit 0 = "1" resetting IER bits 0, 1, 2 or 3 or all to zero puts the UART in the FIFO Polled Mode of operation. Since the RCVR and XMITTER are controlled separately, either one or both can be in the polled mode of operation.

In this mode, the user's program will check RCVR and XMITTER status via the LSR. LSR definitions for the FIFO Polled Mode are as follows:

- Bit 0=1 as long as there is one byte in the RCVR FIFO.
- Bits 1 to 4 specify which error(s) have occurred. Character error status is handled the same way as when in the interrupt mode, the IIR is not affected since EIR bit 2=0.
- Bit 5 indicates when the XMIT FIFO is empty.
- Bit 6 indicates that both the XMIT FIFO and shift register are empty.
- Bit 7 indicates whether there are any errors in the RCVR FIFO.

There is no trigger level reached or timeout condition indicated in the FIFO Polled Mode, however, the RCVR and XMIT FIFOs are still fully capable of holding characters.

Effect Of The Reset on Register File

The Reset Function Table (Table 40) details the effect of Vcc2 POR or nRESET_OUT on each of the registers of the Serial Port.

Table 40 - Reset Function Table

REGISTER/SIGNAL	RESET CONTROL	RESET STATE
Interrupt Enable Register	RESET	All bits low
Interrupt Identification Reg.	RESET	Bit 0 is high; Bits 1 - 7 low
FIFO Control	RESET	All bits low
Line Control Reg.	RESET	All bits low
MODEM Control Reg.	RESET	All bits low
Line Status Reg.	RESET	All bits low except 5, 6 high
MODEM Status Reg.	RESET	Bits 0 - 3 low; Bits 4 - 7 input
TXD1, TXD2	RESET	High
INTRPT (RCVR errs)	RESET/Read LSR	Low
INTRPT (RCVR Data Ready)	RESET/Read RBR	Low
INTRPT (THRE)	RESET/ReadIIR/Write THR	Low
OUT2B	RESET	High
RTSB	RESET	High
DTRB	RESET	High
OUT1B	RESET	High
RCVR FIFO	RESET/ FCR1*FCR0/_FCR0	All Bits Low
XMIT FIFO	RESET/ FCR1*FCR0/_FCR0	All Bits Low

Table 41 - Register Summary for an Individual UART Channel

REGISTER ADDRESS*	REGISTER NAME	REGISTER SYMBOL	BIT 0	BIT 1
ADDR = 0 DLAB = 0	Receive Buffer Register (Read Only)	RBR	Data Bit 0 (Note 1)	Data Bit 1
ADDR = 0 DLAB = 0	Transmitter Holding Register (Write Only)	THR	Data Bit 0	Data Bit 1
ADDR = 1 DLAB = 0	Interrupt Enable Register	IER	Enable Received Data Available Interrupt (ERDAI)	Enable Transmitter Holding Register Empty Interrupt (ETHREI)
ADDR = 2	Interrupt Ident. Register (Read Only)	IIR	"0" if Interrupt Pending	Interrupt ID Bit
ADDR = 2	FIFO Control Register (Write Only)	FCR	FIFO Enable	RCVR FIFO Reset
ADDR = 3	Line Control Register	LCR	Word Length Select Bit 0 (WLS0)	Word Length Select Bit 1 (WLS1)
ADDR = 4	MODEM Control Register	MCR	Data Terminal Ready (DTR)	Request to Send (RTS)
ADDR = 5	Line Status Register	LSR	Data Ready (DR)	Overrun Error (OE)
ADDR = 6	MODEM Status Register	MSR	Delta Clear to Send (DCTS)	Delta Data Set Ready (DDSR)
ADDR = 7	Scratch Register (Note 4)	SCR	Bit 0	Bit 1
ADDR = 0 DLAB = 1	Divisor Latch (LS)	DDL	Bit 0	Bit 1
ADDR = 1 DLAB = 1	Divisor Latch (MS)	DLM	Bit 8	Bit 9

*DLAB is Bit 7 of the Line Control Register (ADDR = 3).

Note 1: Bit 0 is the least significant bit. It is the first bit serially transmitted or received.

Note 2: When operating in the XT mode, this bit will be set any time that the transmitter shift register is empty.

Table 41 - Register Summary for an Individual UART Channel (continued)

BIT 2	BIT 3	BIT 4	BIT 5	BIT 6	BIT 7
Data Bit 2	Data Bit 3	Data Bit 4	Data Bit 5	Data Bit 6	Data Bit 7
Data Bit 2	Data Bit 3	Data Bit 4	Data Bit 5	Data Bit 6	Data Bit 7
Enable Receiver Line Status Interrupt (ELSI)	Enable MODEM Status Interrupt (EMSI)	0	0	0	0
Interrupt ID Bit	Interrupt ID Bit (Note 5)	0	0	FIFOs Enabled (Note 5)	FIFOs Enabled (Note 5)
XMIT FIFO Reset	DMA Mode Select (Note 6)	Reserved	Reserved	RCVR Trigger LSB	RCVR Trigger MSB
Number of Stop Bits (STB)	Parity Enable (PEN)	Even Parity Select (EPS)	Stick Parity	Set Break	Divisor Latch Access Bit (DLAB)
OUT1 (Note 3)	OUT2 (Note 3)	Loop	0	0	0
Parity Error (PE)	Framing Error (FE)	Break Interrupt (BI)	Transmitter Holding Register (THRE)	Transmitter Empty (TEMT) (Note 2)	Error in RCVR FIFO (Note 5)
Trailing Edge Ring Indicator (TERI)	Delta Data Carrier Detect (DDCD)	Clear to Send (CTS)	Data Set Ready (DSR)	Ring Indicator (RI)	Data Carrier Detect (DCD)
Bit 2	Bit 3	Bit 4	Bit 5	Bit 6	Bit 7
Bit 2	Bit 3	Bit 4	Bit 5	Bit 6	Bit 7
Bit 10	Bit 11	Bit 12	Bit 13	Bit 14	Bit 15

Note 3: This bit no longer has a pin associated with it.

Note 4: When operating in the XT mode, this register is not available.

Note 5: These bits are always zero in the non-FIFO mode.

Note 6: Writing a one to this bit has no effect. DMA modes are not supported in this chip.

UART Register Summary Notes:

*DLAB is Bit 7 of the Line Control Register (ADDR = 3).

<p>Note 1: Bit 0 is the least significant bit. It is the first bit serially transmitted or received.</p> <p>Note 2: When operating in the XT mode, this bit will be set any time that the transmitter shift register is empty.</p> <p>Note 3: This bit no longer has a pin associated with it.</p> <p>Note 4: When operating in the XT mode, this register is not available.</p> <p>Note 5: These bits are always zero in the non-FIFO mode.</p> <p>Note 6: Writing a one to this bit has no effect. DMA modes are not supported in this chip.</p>
--

NOTES ON SERIAL PORT FIFO MODE OPERATION

GENERAL

The RCVR FIFO will hold up to 16 bytes regardless of which trigger level is selected.

TX AND RX FIFO OPERATION

The Tx portion of the UART transmits data through TXD as soon as the CPU loads a byte into the Tx FIFO. **The UART will prevent loads to the Tx FIFO if it currently holds 16 characters.** Loading to the Tx FIFO will again be enabled as soon as the next character is transferred to the Tx shift register. These capabilities account for the largely autonomous operation of the Tx.

The UART starts the above operations typically with a Tx interrupt. The chip issues a Tx interrupt whenever the Tx FIFO is empty and the Tx interrupt is enabled, except in the following instance. Assume that the Tx FIFO is empty and the CPU starts to load it. When the first byte enters the FIFO the Tx FIFO empty interrupt will transition from active to inactive. Depending on the execution speed of the service routine software, the UART may be able to transfer this byte from the FIFO to the shift register before the CPU loads another byte. If this happens, the Tx FIFO will be empty again and typically the UART's interrupt line would transition to the active state. This could cause a system with an interrupt control unit to record a Tx FIFO empty condition, even though the CPU is currently servicing that interrupt. **Therefore, after the first byte has been loaded into the FIFO the UART will wait one serial character transmission time before issuing a new Tx FIFO empty interrupt. This one character Tx interrupt delay will remain active until at least two bytes have been loaded into the FIFO, concurrently. When the Tx FIFO empties after this condition, the Tx interrupt will be activated without a one character delay.**

Rx support functions and operation are quite different from those described for the transmitter. The Rx FIFO receives data until the number of bytes in the FIFO equals the selected interrupt trigger level. At that time if Rx interrupts are enabled, the UART will issue an interrupt to the CPU. The Rx FIFO will continue to store bytes until it holds 16 of them. It will not accept any more data when it is full. Any more data entering the Rx shift register will set the Overrun Error flag. Normally, the FIFO depth and the programmable trigger levels will give the CPU ample time to empty the Rx FIFO before an overrun occurs.

One side-effect of having a Rx FIFO is that the selected interrupt trigger level may be above the data level in the FIFO. This could occur when data at the end of the block contains fewer bytes than the trigger level. No interrupt would be issued to the CPU and the data would remain in the UART. **To prevent the software from having to check for this situation the chip incorporates a timeout interrupt.**

The timeout interrupt is activated when there is at least one byte in the Rx FIFO, and neither the CPU nor the Rx shift register has accessed the Rx FIFO within 4 character times of the last byte. The timeout interrupt is cleared or reset when the CPU reads the Rx FIFO or another character enters it.

These FIFO related features allow optimization of CPU/UART transactions and are especially useful given the higher baud rate capability (256 kbaud).

Infrared Communications Controller (IrCC)

The Infrared Communications Controller is fully compliant to the IrDA Specification Version 1.1 which includes data rates up to 4Mbps meaning that IrDA-SIRA, IrDA-SIRB, IrDA-HDLC and IrDA-FIR modes are all supported. In addition the IrCC provides support for ASK-IR, Consumer (TV remote) IR, and RAW-IR (Host controller has direct access to the IR bit stream from/to the transceiver module). It is important to note that the IrCC block is a superset of UART2. Thus the IrCC comprises of a UART2 Asynchronous Communications Engine (ACE) and a separate Synchronous Communications Engine (SCE) to provide the full set of IR modes as well as the standard UART Com mode. The IrCC block details are fully described in SMC's specification titled "Infrared Communications Controller" Rev 1.30 dated November 1, 1995. The information in this section of the specification will provide details on the integration of the FIR logic block into the FDC37C957FR device.

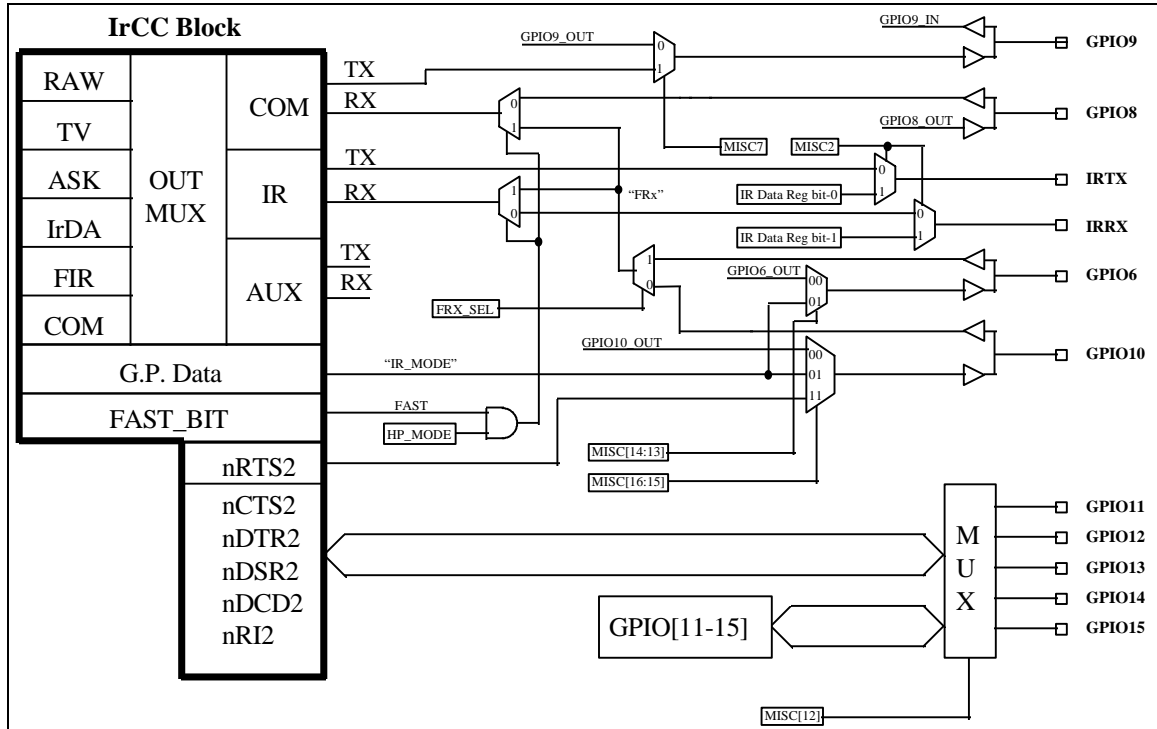
The infrared interface provides a two-way wireless communications port using infrared as a transmission medium. The IR transmission can use the standard UART2 TX and RX pins or optional IRTX2 and IRRX2 pins. These can be selected through the configuration registers.

IrDA-SIR allows serial communication at baud rates up to 115K Baud. Each word is sent serially beginning with a zero value start bit. A zero is signaled by sending a single IR pulse at the beginning of the serial bit time. A one is signaled by sending no IR pulse during the bit time. Please refer to the AC timing for the parameters of these pulses and the IrDA waveform.

The Amplitude Shift Keyed IR allows serial communication at baud rates up to 19.2K Baud. Each word is sent serially beginning with a zero value start bit. A zero is signaled by sending a 500KHz waveform for the duration of the serial bit time. A one is signaled by sending no transmission the bit time. Please refer to the AC timing for the parameters of the ASK-IR waveform.

If the Half Duplex option is chosen, there is a time-out when the direction of the transmission is changed. This time-out starts at the last bit transferred during a transmission and blocks the receiver input until the time-out expires. If the transmit buffer is loaded with more data before the time-out expires, the timer is restarted after the new byte is transmitted. If data is loaded into the transmit buffer while a character is being received, the transmission will not start until the time-out expires after the last receive bit has been received. If the start bit of another character is received during this time-out, the timer is restarted after the new character is received. The time-out is four character times. A character time is defined as 10 bit times regardless of the actual word length being used.

Integration of IrCC Logic into Orion Device



HP_MODE = (MISC[14:13] == [1:0]) | (MISC[16:15] == [1:0])
 FRX_SEL = (MISC[14:13] == [1:0])

IRRX / IRTX Pin Enable

When MISC2=0 the IRRX and IRTX pins are enabled as when UART2 (LD5) is Activated or enabled and the IrCC Output Mux is set to use the IR Port, otherwise the IRTX pin is tri-stated. When MISC2=1, the IRRX and IRTX pins are always enabled as they can be bit banded through the IR DATA Register, bits 1 and 0 respectively.

IR Registers - Logical Device 5

Configuration Registers Overview

In order to support the Infrared Communications Controller four configuration registers are added to Logical Device 5 (commonly known as UART2). These registers consist of the Fast IR Base I/O Address registers 0x62 and 0x63; an IrCC DMA channel select register 0x74; and an IR Half Duplex Timeout register 0xF2. Refer to the Configuration section of this specification for details.

Base I/O Addresses

550 UART

Table 42 - Asynchronous Communications Engine (UART) Registers

Register Index	Base I/O Range	Fixed Register Base Offsets
0x60,0x61	[0x100:0x0FF8]	 +0 : RB/TB LSB div +1 : MSB MSB div
Register 0x60 stores the MSB and 0x61 the LSB of the 550-UART's 16-bit Base Address.	ON 8-BYTE BOUNDARIES	

Fast IR/USRT

Table 43 - Synchronous Communications Engine (SCE) Registers

Register Index	Base I/O Range	Fixed Register Base Offsets
0x62,0x63	[0x100:0x0FF8] ON 8 BYTE BOUNDARIES	+0 : Register Block N, address 0 +1 : Register Block N, address 1
Register 0x62 stores the MSB and 0x63 the LSB of the 550-UART's 16-bit Base Address. Note : refer to the Infrared Communications Controller (IrCC) Specification for register details. Note : If Base I/O Address is set below 0x100 then no decode will occur.		
IR DMA Channels		

DMA channel 0, 1, 2 or 3 may be selected for use with the IRCC logic through the configuration registers of logical device 5. Refer to the Configuration section of this specification for further details on setting the DMA channel and to the IrCC specification for details on IR DMA transfers.

IR IRQs

The interrupt (IRQ) for the IRCC logic is selectable through the configuration registers for logical device 5. Refer to the Configuration section of this specification for further details on setting the IRQ and to the IrCC specification for details on IR IRQ events.

PARALLEL PORT

The FDC37C957FR incorporates an IBM XT/AT compatible parallel port. This supports the optional PS/2 type bi-directional parallel port (SPP), the Enhanced Parallel Port (EPP) and the Extended Capabilities Port (ECP) parallel port modes. Refer to the Configuration Registers for information on disabling, power down, changing the base address of the parallel port, and selecting the mode of operation.

The parallel port also incorporates SMC's ChiProtect circuitry, which prevents possible damage to the parallel port due to printer power-up. The functionality of the Parallel Port is achieved through the use of eight addressable ports, with their associated registers and control gating. The control and data port are read/write by the CPU, the status port is read/write in the EPP mode. The address map of the Parallel Port is shown below:

DATA PORT	BASE ADDRESS + 00H
STATUS PORT	BASE ADDRESS + 01H
CONTROL PORT	BASE ADDRESS + 02H
EPP ADDR PORT	BASE ADDRESS + 03H
EPP DATA PORT 0	BASE ADDRESS + 04H
EPP DATA PORT 1	BASE ADDRESS + 05H
EPP DATA PORT 2	BASE ADDRESS + 06H
EPP DATA PORT 3	BASE ADDRESS + 07H

The bit map of these registers is:

	D0	D1	D2	D3	D4	D5	D6	D7	Note
DATA PORT	PD0	PD1	PD2	PD3	PD4	PD5	PD6	PD7	1
STATUS PORT	TMOUT	0	0	nERR	SLCT	PE	nACK	nBUSY	1
CONTROL PORT	STROBE	AUTOFD	nINIT	SLC	IRQE	PCD	0	0	1
EPP ADDR PORT	PD0	PD1	PD2	PD3	PD4	PD5	PD6	AD7	2,3
EPP DATA PORT 0	PD0	PD1	PD2	PD3	PD4	PD5	PD6	PD7	2,3
EPP DATA PORT 1	PD0	PD1	PD2	PD3	PD4	PD5	PD6	PD7	2,3
EPP DATA PORT 2	PD0	PD1	PD2	PD3	PD4	PD5	PD6	PD7	2,3
EPP DATA PORT 3	PD0	PD1	PD2	PD3	PD4	PD5	PD6	PD7	2,3

Note 1: These registers are available in all modes.

Note 2: These registers are only available in EPP mode.

Note 3 : For EPP mode, IOCHRDY must be connected to the ISA bus.

Table 44 - Parallel Port Connector

HOST CONNECTOR	PIN NUMBER	STANDARD	EPP	ECP
1	129	nStrobe	nWrite	nStrobe
2-9	124-121, 119-116	PData<0:7>	PData<0:7>	PData<0:7>
10	115	nAck	Intr	nAck
11	114	Busy	nWait	Busy, PeriphAck(3)
12	113	PE	(NU)	PError, nAckReverse(3)
13	112	Select	(NU)	Select
14	128	nAutofd	nDatastb	nAutoFd, HostAck(3)
15	127	nError	(NU)	nFault(1) nPeriphRequest(3)
16	126	nInit	(NU)	nInit(1) nReverseRqst(3)
17	125	nSelectin	nAddrstrb	nSelectIn(1,3)

(1) = Compatible Mode
(3) = High Speed Mode

Note: For the cable interconnection required for ECP support and the Slave Connector pin numbers, refer to the IEEE P1284 D2.0 Standard, "Standard Signaling Method for a Bi-directional Parallel Peripheral Interface for Personal Computers", September 10, 1993. This document is available from the IEEE.

IBM XT/AT COMPATIBLE, BI-DIRECTIONAL AND EPP MODES

**DATA PORT
ADDRESS OFFSET = 00H**

The Data Port is located at an offset of '00H' from the base address. The data register is cleared at initialization by RESET. During a WRITE operation, the Data Register latches the contents of the data bus with the rising edge of the nIOW input. The contents of this register are buffered (non inverting) and output onto the PD0 - PD7 ports. During a READ operation in SPP mode, PD0 - PD7 ports are buffered (not latched) and output to the host CPU.

STATUS PORT
ADDRESS OFFSET = 01H

The Status Port is located at an offset of '01H' from the base address. The contents of this register are latched for the duration of an nIOR read cycle. The bits of the Status Port are defined as follows:

BIT 0 TMOUT - TIME OUT

This bit is valid in EPP mode only and indicates that a 10 usec time out has occurred on the EPP bus. A logic 0 means that no time out error has occurred; a logic 1 means that a time out error has been detected. This bit is cleared by a RESET. Writing a one to this bit clears the time out status bit. On a write, this bit is self clearing and does not require a write of a zero. Writing a zero to this bit has no effect.

BITS 1, 2 - are not implemented as register bits, during a read of the Printer Status Register these bits are a low level.

BIT 3 nERR - nERROR

The level on the nERROR input is read by the CPU as bit 3 of the Printer Status Register. A logic 0 means an error has been detected; a logic 1 means no error has been detected.

BIT 4 SLCT - PRINTER SELECTED STATUS

The level on the SLCT input is read by the CPU as bit 4 of the Printer Status Register. A logic 1 means the printer is on line; a logic 0 means it is not selected.

BIT 5 PE - PAPER END

The level on the PE input is read by the CPU as bit 5 of the Printer Status Register. A logic 1 indicates a paper end; a logic 0 indicates the presence of paper.

BIT 6 nACK - nACKNOWLEDGE

The level on the nACK input is read by the CPU as bit 6 of the Printer Status Register. A logic 0 means that the printer has received a character and can now accept another. A logic 1 means that it is still processing the last character or has not received the data.

BIT 7 nBUSY - nBUSY

The complement of the level on the BUSY input is read by the CPU as bit 7 of the Printer Status Register. A logic 0 in this bit means that the printer is busy and cannot accept a new character. A logic 1 means that it is ready to accept the next character.

CONTROL PORT
ADDRESS OFFSET = 02H

The Control Port is located at an offset of '02H' from the base address. The Control Register is initialized by the RESET input, bits 0 to 5 only being affected; bits 6 and 7 are hard wired low.

BIT 0 STROBE - STROBE

This bit is inverted and output onto the nSTROBE output.

BIT 1 AUTOFD - AUTOFEED

This bit is inverted and output onto the nAUTOFD output. A logic 1 causes the printer to generate a line feed after each line is printed. A logic 0 means no autofeed.

BIT 2 nINIT - nINITIATE OUTPUT

This bit is output onto the nINIT output without inversion.

BIT 3 SLCTIN - PRINTER SELECT INPUT

This bit is inverted and output onto the nSLCTIN output. A logic 1 on this bit selects the printer; a logic 0 means the printer is not selected.

BIT 4 IRQE - INTERRUPT REQUEST ENABLE

The interrupt request enable bit when set to a high level may be used to enable interrupt requests from the Parallel Port to the CPU. An interrupt request is generated on the IRQ port by a positive going nACK input. When the IRQE bit is programmed low the IRQ is disabled.

BIT 5 PCD - PARALLEL CONTROL DIRECTION

Parallel Control Direction is not valid in printer mode. In printer mode, the direction is always out regardless of the state of this bit. In bi-directional, EPP or ECP mode, a logic 0 means that the printer port is in output mode (write); a logic 1 means that the printer port is in input mode (read).

Bits 6 and 7 during a read are a low level, and cannot be written.

EPP ADDRESS PORT
ADDRESS OFFSET = 03H

The EPP Address Port is located at an offset of '03H' from the base address. The address register is cleared at initialization by RESET. During a WRITE operation, the contents of DB0-DB7 are buffered (non inverting) and output onto the PD0 - PD7 ports, the leading edge of nIOW causes an EPP ADDRESS WRITE cycle to be performed, the trailing edge of IOW latches the data for the duration of the EPP write cycle. During a READ operation, PD0 - PD7 ports are read, the leading edge of IOR causes an EPP ADDRESS READ cycle to be performed and the data output to the host CPU, the deassertion of ADDRSTB latches the PData for the duration of the IOR cycle. This register is only available in EPP mode.

EPP DATA PORT 0
ADDRESS OFFSET = 04H

The EPP Data Port 0 is located at an offset of '04H' from the base address. The data register is cleared at initialization by RESET. During a WRITE operation, the contents of DB0-DB7 are buffered (non inverting) and output onto the PD0 - PD7 ports, the leading edge of nIOW causes an EPP DATA WRITE cycle to be performed, the trailing edge of IOW latches the data for the duration of the EPP write cycle. During a READ operation, PD0 - PD7 ports are read, the leading edge of IOR causes an EPP READ cycle to be performed and the data output to the host CPU, the deassertion of DATASTB latches the PData for the duration of the IOR cycle. This register is only available in EPP mode.

EPP DATA PORT 1
ADDRESS OFFSET = 05H

The EPP Data Port 1 is located at an offset of '05H' from the base address. Refer to EPP DATA PORT 0 for a description of operation. This register is only available in EPP mode.

EPP DATA PORT 2
ADDRESS OFFSET = 06H

The EPP Data Port 2 is located at an offset of '06H' from the base address. Refer to EPP DATA PORT 0 for a description of operation. This register is only available in EPP mode.

EPP DATA PORT 3
ADDRESS OFFSET = 07H

The EPP Data Port 3 is located at an offset of '07H' from the base address. Refer to EPP DATA PORT 0 for a description of operation. This register is only available in EPP mode.

EPP 1.9 OPERATION

When the EPP mode is selected in the configuration register, the standard and bi-directional modes are also available. If no EPP Read, Write or Address cycle is currently executing, then the PDx bus is in the standard or bi-directional mode, and all output signals (STROBE, AUTOFD, INIT) are as set by the SPP Control Port and direction is controlled by PCD of the Control port.

In EPP mode, the system timing is closely coupled to the EPP timing. For this reason, a watchdog timer is required to prevent system lockup. The timer indicates if more than 10usec have elapsed from the start of the EPP cycle (nIOR or nIOW asserted) to nWAIT being deasserted (after command). If a time-out occurs, the current EPP cycle is aborted and the time-out condition is indicated in Status bit 0.

During an EPP cycle, if STROBE is active, it overrides the EPP write signal forcing the PDx bus to always be in a write mode and the nWRITE signal to always be asserted.

Software Constraints

Before an EPP cycle is executed, the software must ensure that the control register bit PCD is a logic "0" (i.e. a 04H or 05H should be written to the Control port). If the user leaves PCD as a logic "1", and attempts to perform an EPP write, the chip is unable to perform the write (because PCD is a logic "1") and will appear to perform an EPP read on the parallel bus, no error is indicated.

EPP 1.9 Write

The timing for a write operation (address or data) is shown in timing diagram EPP Write Data or Address cycle. IOCHRDY is driven active low at the start of each EPP write and is released when it has been determined that the write cycle can complete. The write cycle can complete under the following circumstances:

1. If the EPP bus is not ready (nWAIT is active low) when nDATASTB or nADDRSTB goes active then the write can complete when nWAIT goes inactive high.
2. If the EPP bus is ready (nWAIT is inactive high) then the chip must wait for it to go active low before changing the state of nDATASTB, nWRITE or nADDRSTB. The write can complete once nWAIT is determined inactive.

Write Sequence of operation

1. The host selects an EPP register, places data on the SData bus and drives nIOW active.
2. The chip drives IOCHRDY inactive (low).
3. If WAIT is not asserted, the chip must wait until WAIT is asserted.
4. The chip places address or data on PData bus, clears PDIR, and asserts nWRITE.
5. Chip asserts nDATASTB or nADDRSTRB indicating that PData bus contains valid information, and the WRITE signal is valid.
6. Peripheral deasserts nWAIT, indicating that any setup requirements have been satisfied and the chip may begin the termination phase of the cycle.

7. a) The chip deasserts nDATASTB or nADDRSTRB, this marks the beginning of the termination phase. If it has not already done so, the peripheral should latch the information byte now.
- b) The chip latches the data from the SData bus for the PData bus and asserts (releases) IOCHRDY allowing the host to complete the write cycle.
8. Peripheral asserts nWAIT, indicating to the host that any hold time requirements have been satisfied and acknowledging the termination of the cycle.
9. Chip may modify nWRITE and nPDATA in preparation for the next cycle.

EPP 1.9 Read

The timing for a read operation (data) is shown in timing diagram EPP Read Data cycle. IOCHRDY is driven active low at the start of each EPP read and is released when it has been determined that the read cycle can complete. The read cycle can complete under the following circumstances:

1. If the EPP bus is not ready (nWAIT is active low) when nDATASTB goes active then the read can complete when nWAIT goes inactive high.
2. If the EPP bus is ready (nWAIT is inactive high) then the chip must wait for it to go active low before changing the state of WRITE or before nDATASTB goes active. The read can complete once nWAIT is determined inactive.

Read Sequence of Operation

1. The host selects an EPP register and drives nIOR active.
2. The chip drives IOCHRDY inactive (low).
3. If WAIT is not asserted, the chip must wait until WAIT is asserted.
4. The chip tri-states the PData bus and deasserts nWRITE.
5. Chip asserts nDATASTB or nADDRSTRB indicating that PData bus is tri-stated, PDIR is set and the nWRITE signal is valid.
6. Peripheral drives PData bus valid.
7. Peripheral deasserts nWAIT, indicating that PData is valid and the chip may begin the termination phase of the cycle.
8. a) The chip latches the data from the PData bus for the SData bus and deasserts nDATASTB or nADDRSTRB. This marks the beginning of the termination phase.
- b) The chip drives the valid data onto the SData bus and asserts (releases) IOCHRDY allowing the host to complete the read cycle.
9. Peripheral tri-states the PData bus and asserts nWAIT, indicating to the host that the PData bus is tri-stated.
10. Chip may modify nWRITE, PDIR and nPDATA in preparation for the next cycle.

EPP 1.7 OPERATION

When the EPP 1.7 mode is selected in the configuration register, the standard and bi-directional modes are also available. If no EPP Read, Write or Address cycle is currently executing, then the PDx bus is in the standard or bi-directional mode, and all output signals (STROBE, AUTOFD, INIT) are as set by the SPP Control Port and direction is controlled by PCD of the Control port.

In EPP mode, the system timing is closely coupled to the EPP timing. For this reason, a watchdog timer is required to prevent system lockup. The timer indicates if more than 10usec have elapsed from the start of the EPP cycle (nIOR or nIOW asserted) to the end of the cycle nIOR or nIOW deasserted). If a time-out occurs, the current EPP cycle is aborted and the time-out condition is indicated in Status bit 0.

Software Constraints

Before an EPP cycle is executed, the software must ensure that the control register bits D0, D1 and D3 are set to zero. Also, bit D5 (PCD) is a logic "0" for an EPP write or a logic "1" for an EPP read.

EPP 1.7 Write

The timing for a write operation (address or data) is shown in timing diagram EPP 1.7 Write Data or Address cycle. IOCHRDY is driven active low when nWAIT is active low during the EPP cycle. This can be used to extend the cycle time. The write cycle can complete when nWAIT is inactive high.

Write Sequence of Operation

1. The host sets PDIR bit in the control register to a logic "0". This asserts nWRITE.
2. The host selects an EPP register, places data on the SData bus and drives nIOW active.
3. The chip places address or data on PData bus.
4. Chip asserts nDATASTB or nADDRSTRB indicating that PData bus contains valid information, and the WRITE signal is valid.
5. If nWAIT is asserted, IOCHRDY is deasserted until the peripheral deasserts nWAIT or a time-out occurs.
6. When the host deasserts nIOW the chip deasserts nDATASTB or nADDRSTRB and latches the data from the SData bus for the PData bus.
7. Chip may modify nWRITE, PDIR and nPDATA in preparation of the next cycle.

EPP 1.7 Read

The timing for a read operation (data) is shown in timing diagram EPP 1.7 Read Data cycle. IOCHRDY is driven active low when nWAIT is active low during the EPP cycle. This can be used to extend the cycle time. The read cycle can complete when nWAIT is inactive high.

Read Sequence of Operation

1. The host sets PDIR bit in the control register to a logic "1". This deasserts nWRITE and tri-states the PData bus.
2. The host selects an EPP register and drives nIOR active.
3. Chip asserts nDATASTB or nADDRSTRB indicating that PData bus is tri-stated, PDIR is set and the nWRITE signal is valid.
4. If nWAIT is asserted, IOCHRDY is deasserted until the peripheral deasserts nWAIT or a time-out occurs.
5. The Peripheral drives PData bus valid.
6. The Peripheral deasserts nWAIT, indicating that PData is valid and the chip may begin the termination phase of the cycle.
7. When the host deasserts nIOR the chip deasserts nDATASTB or nADDRSTRB.
8. Peripheral tri-states the PData bus.
9. Chip may modify nWRITE, PDIR and nPDATA in preparation of the next cycle.

Table 45 - EPP Pin Descriptions

EPP SIGNAL	EPP NAME	TYPE	EPP DESCRIPTION
nWRITE	nWrite	O	This signal is active low. It denotes a write operation.
PD<0:7>	Address/Data	I/O	Bi-directional EPP byte wide address and data bus.
INTR	Interrupt	I	This signal is active high and positive edge triggered. (Pass through with no inversion, Same as SPP).
WAIT	nWait	I	This signal is active low. It is driven inactive as a positive acknowledgement from the device that the transfer of data is completed. It is driven active as an indication that the device is ready for the next transfer.
DATASTB	nData Strobe	O	This signal is active low. It is used to denote data read or write operation.
RESET	nReset	O	This signal is active low. When driven active, the EPP device is reset to its initial operational mode.
ADDRSTB	nAddress Strobe	O	This signal is active low. It is used to denote address read or write operation.
PE	Paper End	I	Same as SPP mode.
SLCT	Printer Selected Status	I	Same as SPP mode.
nERR	Error	I	Same as SPP mode.

EPP SIGNAL	EPP NAME	TYPE	EPP DESCRIPTION
PDIR	Parallel Port Direction	O	This output shows the direction of the data transfer on the parallel port bus. A low means an output/write condition and a high means an input/read condition. This signal is normally a low (output/write) unless PCD of the control register is set or if an EPP read cycle is in progress.

Note 1: SPP and EPP can use 1 common register.

Note 2: nWrite is the only EPP output that can be over-ridden by SPP control port during an EPP cycle. For correct EPP read cycles, PCD is required to be a low.

EXTENDED CAPABILITIES PARALLEL PORT

ECP provides a number of advantages, some of which are listed below. The individual features are explained in greater detail in the remainder of this section.

- High performance half-duplex forward and reverse channel
- Interlocked handshake, for fast reliable transfer
- Optional single byte RLE compression for improved throughput (64:1)
- Channel addressing for low-cost peripherals
- Maintains link and data layer separation
- Permits the use of active output drivers
- Permits the use of adaptive signal timing
- Peer-to-peer capability

Vocabulary

The following terms are used in this document:

assert: When a signal asserts it transitions to a "true" state, when a signal deasserts it transitions to a "false" state.

forward: Host to Peripheral communication.

reverse: Peripheral to Host communication.

PWord A port word; equal in size to the width of the ISA interface. For this implementation, PWord is always 8 bits.

1 A high level.

0 A low level.

These terms may be considered synonymous:

- PeriphClk, nAck
- HostAck, nAutoFd
- PeriphAck, Busy
- nPeriphRequest, nFault
- nReverseRequest, nInit
- nAckReverse, PError
- Xflag, Select
- ECPMode, nSelectIn
- HostClk, nStrobe

Reference Document

IEEE 1284 Extended Capabilities Port Protocol and ISA Interface Standard, Rev 1.14, July 14, 1993.
This document is available from Microsoft.

The bit map of the Extended Parallel Port registers is:

	D7	D6	D5	D4	D3	D2	D1	D0	Note
data	PD7	PD6	PD5	PD4	PD3	PD2	PD1	PD0	
ecpAFifo	Addr/RLE	Address or RLE field							2
dsr	nBusy	nAck	PError	Select	nFault	0	0	0	1
dcr	0	0	Direction	ackIntEn	SelectIn	nInit	autofd	strobe	1
cFifo	Parallel Port Data FIFO								2
ecpDFifo	ECP Data FIFO								2
tFifo	Test FIFO								2
cnfgA	0	0	0	1	0	0	0	0	
cnfgB	compress	intrValue	0	0	0	0	0	0	
ecr	MODE			nErrIntrEn	dmaEn	serviceIntr	full	empty	

Note 1: These registers are available in all modes.

Note 2: All FIFOs use one common 16 byte FIFO.

ISA IMPLEMENTATION STANDARD

This specification describes the standard ISA interface to the Extended Capabilities Port (ECP). All ISA devices supporting ECP must meet the requirements contained in this section or the port will not be supported by Microsoft. For a description of the ECP Protocol, please refer to the [IEEE 1284 Extended Capabilities Port Protocol and ISA Interface Standard](#), Rev. 1.14, July 14, 1993. This document is available from Microsoft.

Description

The port is software and hardware compatible with existing parallel ports so that it may be used as a standard LPT port if ECP is not required. The port is designed to be simple and requires a small number of gates to implement. It does not do any "protocol" negotiation, rather it provides an automatic high burst-bandwidth channel that supports DMA for ECP in both the forward and reverse directions.

Small FIFOs are employed in both forward and reverse directions to smooth data flow and improve the maximum bandwidth requirement. The size of the FIFO is 16 bytes deep. The port supports an automatic handshake for the standard parallel port to improve compatibility mode transfer speed.

The port also supports run length encoded (RLE) decompression (required) in hardware. Compression is accomplished by counting identical bytes and transmitting an RLE byte that indicates how many times the next byte is to be repeated. Decompression simply intercepts the RLE byte and repeats the following byte the specified number of times. Hardware support for compression is optional.

Table 46 - ECP Pin Descriptions

NAME	TYPE	DESCRIPTION
nStrobe	O	During write operations nStrobe registers data or address into the slave on the asserting edge (handshakes with Busy).
PData 7:0	I/O	Contains address or data or RLE data.
nAck	I	Indicates valid data driven by the peripheral when asserted. This signal handshakes with nAutoFd in reverse.
PeriphAck (Busy)	I	This signal deasserts to indicate that the peripheral can accept data. This signal handshakes with nStrobe in the forward direction. In the reverse direction this signal indicates whether the data lines contain ECP command information or data. The peripheral uses this signal to flow control in the forward direction. It is an "interlocked" handshake with nStrobe. PeriphAck also provides command information in the reverse direction.
PError (nAckReverse)	I	Used to acknowledge a change in the direction the transfer (asserted = forward). The peripheral drives this signal low to acknowledge nReverseRequest. It is an "interlocked" handshake with nReverseRequest. The host relies upon nAckReverse to determine when it is permitted to drive the data bus.
Select	I	Indicates printer on line.
nAutoFd (HostAck)	O	Requests a byte of data from the peripheral when asserted, handshaking with nAck in the reverse direction. In the forward direction this signal indicates whether the data lines contain ECP address or data. The host drives this signal to flow control in the reverse direction. It is an "interlocked" handshake with nAck. HostAck also provides command information in the forward phase.
nFault (nPeriphRequest)	I	Generates an error interrupt when asserted. This signal provides a mechanism for peer-to-peer communication. This signal is valid only in the forward direction. During ECP Mode the peripheral is permitted (but not required) to drive this pin low to request a reverse transfer. The request is merely a "hint" to the host; the host has ultimate control over the transfer direction. This signal would be typically used to generate an interrupt to the host CPU.
nInIt	O	Sets the transfer direction (asserted = reverse, deasserted = forward). This pin is driven low to place the channel in the reverse direction. The peripheral is only allowed to drive the bi-directional data bus while in ECP Mode and HostAck is low and nSelectIn is high.
nSelectIn	O	Always deasserted in ECP mode.

Register Definitions

The register definitions are based on the standard IBM addresses for LPT. All of the standard printer ports are supported. The additional registers attach to an upper bit decode of the standard LPT port definition to avoid conflict with standard ISA devices. The port is equivalent to a generic parallel port interface and may be operated in that mode. The port registers vary depending on the mode field in the ecr. The table below lists these dependencies. Operation of the devices in modes other than those specified is undefined.

Table 47 - ECP Register Definitions

NAME	ADDRESS (Note 1)	ECP MODES	FUNCTION
data	+000h R/W	000-001	Data Register
ecpAFifo	+000h R/W	011	ECP FIFO (Address)
dsr	+001h R/W	All	Status Register
dcr	+002h R/W	All	Control Register
cFifo	+400h R/W	010	Parallel Port Data FIFO
ecpDFifo	+400h R/W	011	ECP FIFO (DATA)
tFifo	+400h R/W	110	Test FIFO
cnfgA	+400h R	111	Configuration Register A
cnfgB	+401h R/W	111	Configuration Register B
ecr	+402h R/W	All	Extended Control Register

Note 1: These addresses are added to the parallel port base address as selected by configuration register or jumpers.

Note 2: All addresses are qualified with AEN. Refer to the AEN pin definition.

Table 48 - Mode Descriptions

MODE	DESCRIPTION*
000	SPP mode
001	PS/2 Parallel Port mde
010	Parallel Port Data FIFO mode
011	ECP Parallel Port mode
100	EPP mode (If this option is enabled in the configuration registers)
101	(Reserved)
110	Test mode
111	Configuration mode

*Refer to ECR Register Description

DATA and ecpAFifo PORT

ADDRESS OFFSET = 00H

Modes 000 and 001 (Data Port)

The Data Port is located at an offset of '00H' from the base address. The data register is cleared at initialization by RESET. During a WRITE operation, the Data Register latches the contents of the data bus on the rising edge of the nLOW input. The contents of this register are buffered (non inverting) and output onto the PD0 - PD7 ports. During a READ operation, PD0 - PD7 ports are read and output to the host CPU.

Mode 011 (ECP FIFO - Address/RLE)

A data byte written to this address is placed in the FIFO and tagged as an ECP Address/RLE. The hardware at the ECP port transmits this byte to the peripheral automatically. The operation of this register is only defined for the forward direction (direction is 0). Refer to the ECP Parallel Port Forward Timing Diagram, located in the Timing Diagrams section of this data sheet .

DEVICE STATUS REGISTER (dsr)

ADDRESS OFFSET = 01H

The Status Port is located at an offset of '01H' from the base address. Bits 0 - 2 are not implemented as register bits, during a read of the Printer Status Register these bits are a low level. The bits of the Status Port are defined as follows:

BIT 3 nFault

The level on the nFault input is read by the CPU as bit 3 of the Device Status Register.

BIT 4 Select

The level on the Select input is read by the CPU as bit 4 of the Device Status Register.

BIT 5 PError

The level on the PError input is read by the CPU as bit 5 of the Device Status Register. Printer Status Register.

BIT 6 nAck

The level on the nAck input is read by the CPU as bit 6 of the Device Status Register.

BIT 7 nBusy

The complement of the level on the BUSY input is read by the CPU as bit 7 of the Device Status Register.

DEVICE CONTROL REGISTER (dcr)**ADDRESS OFFSET = 02H**

The Control Register is located at an offset of '02H' from the base address. The Control Register is initialized to zero by the RESET input, bits 0 to 5 only being affected; bits 6 and 7 are hard wired low.

BIT 0 STROBE - STROBE

This bit is inverted and output onto the nSTROBE output.

BIT 1 AUTOFD - AUTOFEED

This bit is inverted and output onto the nAUTOFD output. A logic 1 causes the printer to generate a line feed after each line is printed. A logic 0 means no autofeed.

BIT 2 nINIT - nINITIATE OUTPUT

This bit is output onto the nINIT output without inversion.

BIT 3 SELECTIN

This bit is inverted and output onto the nSLCTIN output. A logic 1 on this bit selects the printer; a logic 0 means the printer is not selected.

BIT 4 ackIntEn - INTERRUPT REQUEST ENABLE

The interrupt request enable bit when set to a high level may be used to enable interrupt requests from the Parallel Port to the CPU due to a low to high transition on the nACK input. Refer to the description of the interrupt under Operation, Interrupts.

BIT 5 DIRECTION

If mode=000 or mode=010, this bit has no effect and the direction is always out regardless of the state of this bit. In all other modes, Direction is valid and a logic 0 means that the printer port is in output mode (write); a logic 1 means that the printer port is in input mode (read).

BITS 6 and 7 during a read are a low level, and cannot be written.

cFifo (Parallel Port Data FIFO)

ADDRESS OFFSET = 400h

Mode = 010

Bytes written or DMAed from the system to this FIFO are transmitted by a hardware handshake to the peripheral using the standard parallel port protocol. Transfers to the FIFO are byte aligned. This mode is only defined for the forward direction.

ecpDFifo (ECP Data FIFO)

ADDRESS OFFSET = 400H

Mode = 011

Bytes written or DMAed from the system to this FIFO, when the direction bit is 0, are transmitted by a hardware handshake to the peripheral using the ECP parallel port protocol. Transfers to the FIFO are byte aligned.

Data bytes from the peripheral are read under automatic hardware handshake from ECP into this FIFO when the direction bit is 1. Reads or DMA's from the FIFO will return bytes of ECP data to the system.

tFifo (Test FIFO Mode)

ADDRESS OFFSET = 400H

Mode = 110

Data bytes may be read, written or DMAed to or from the system to this FIFO in any direction.

Data in the tFIFO will not be transmitted to the parallel port lines using a hardware protocol handshake. However, data in the tFIFO may be displayed on the parallel port data lines.

The tFIFO will not stall when overwritten or underrun. If an attempt is made to write data to a full tFIFO, the new data is not accepted into the tFIFO. If an attempt is made to read data from an empty tFIFO, the last data byte is re-read again. The full and empty bits must always keep track of the correct FIFO state. The tFIFO will transfer data at the maximum ISA rate so that software may generate performance metrics. The FIFO size and interrupt threshold can be determined by writing bytes to the FIFO and checking the full and serviceIntr bits.

The writeIntrThreshold can be determined by starting with a full tFIFO, setting the direction bit to 0 and emptying it a byte at a time until serviceIntr is set. This may generate a spurious interrupt, but will indicate that the threshold has been reached.

The readIntrThreshold can be determined by setting the direction bit to 1 and filling the empty tFIFO a byte at a time until serviceIntr is set. This may generate a spurious interrupt, but will indicate that the threshold has been reached.

Data bytes are always read from the head of tFIFO regardless of the value of the direction bit. For example if 44h, 33h, 22h is written to the FIFO, then reading the tFIFO will return 44h, 33h, 22h in the same order as was written.

cnfgA (Configuration Register A)

ADDRESS OFFSET = 400H

Mode = 111

This register is a read only register. When read, 10H is returned. This indicates to the system that this is an 8-bit implementation. (PWord = 1 byte)

cnfgB (Configuration Register B)

ADDRESS OFFSET = 401H

Mode = 111

BIT 7 compress

This bit is read only. During a read it is a low level. This means that this chip does not support hardware RLE compression. It does support hardware de-compression!

BIT 6 intrValue

Returns the value on the ISA iRq line to determine possible conflicts.

BITS 5:0 Reserved

During a read are a low level. These bits cannot be written.

ecr (Extended Control Register)

ADDRESS OFFSET = 402H

Mode = all

This register controls the extended ECP parallel port functions.

BITS 7,6,5

These bits are Read/Write and select the Mode.

BIT 4 nErrIntrEn

Read/Write (Valid only in ECP Mode)

- 1: Disables the interrupt generated on the asserting edge of nFault.
- 0: Enables an interrupt pulse on the high to low edge of nFault. Note that an interrupt will be generated if nFault is asserted (interrupting) and this bit is written from a 1 to a 0. This prevents interrupts from being lost in the time between the read of the ecr and the write of the ecr.

BIT 3 dmaEn

Read/Write

- 1: Enables DMA (DMA starts when serviceIntr is 0).
- 0: Disables DMA unconditionally.

BIT 2 serviceIntr

Read/Write

- 1: Disables DMA and all of the service interrupts.
- 0: Enables one of the following 3 cases of interrupts. Once one of the 3 service interrupts has occurred serviceIntr bit shall be set to a 1 by hardware. It must be reset to 0 to re-enable the interrupts. Writing this bit to a 1 will not cause an interrupt.
 - case dmaEn=1:
During DMA (this bit is set to a 1 when terminal count is reached).
 - case dmaEn=0 direction=0:
This bit shall be set to 1 whenever there are writeIntrThreshold or more bytes free in the FIFO.
 - case dmaEn=0 direction=1:
This bit shall be set to 1 whenever there are readIntrThreshold or more valid bytes to be read from the FIFO.

BIT 1 full

Read only

- 1: The FIFO cannot accept another byte or the FIFO is completely full.
- 0: The FIFO has at least 1 free byte.

BIT 0 empty

Read only

- 1: The FIFO is completely empty.
- 0: The FIFO contains at least 1 byte of data.

Table 49 - Extended Control Register

R/W	MODE
000:	Standard Parallel Port Mode . In this mode the FIFO is reset and common collector drivers are used on the control lines (nStrobe, nAutoFd, nInIt and nSelectIn). Setting the direction bit will not tri-state the output drivers in this mode.
001:	PS/2 Parallel Port Mode. Same as above except that direction may be used to tri-state the data lines and reading the data register returns the value on the data lines and not the value in the data register. All drivers have active pull-ups (push-pull).
010:	Parallel Port FIFO Mode. This is the same as 000 except that bytes are written or DMAed to the FIFO. FIFO data is automatically transmitted using the standard parallel port protocol. Note that this mode is only useful when direction is 0. All drivers have active pull-ups (push-pull).
011:	ECP Parallel Port Mode. In the forward direction (direction is 0) bytes placed into the ecpDFifo and bytes written to the ecpAFifo are placed in a single FIFO and transmitted automatically to the peripheral using ECP Protocol. In the reverse direction (direction is 1) bytes are moved from the ECP parallel port and packed into bytes in the ecpDFifo. All drivers have active pull-ups (push-pull).
100:	Selects EPP Mode: In this mode, EPP is selected if the EPP supported option is selected in configuration register L3-CRF0. All drivers have active pull-ups (push-pull).
101:	Reserved
110:	Test Mode. In this mode the FIFO may be written and read, but the data will not be transmitted on the parallel port. All drivers have active pull-ups (push-pull).
111:	Configuration Mode. In this mode the configA, configB registers are accessible at 0x400 and 0x401. All drivers have active pull-ups (push-pull).

OPERATION

Mode Switching/Software Control

Software will execute P1284 negotiation and all operation prior to a data transfer phase under programmed I/O control (mode 000 or 001). Hardware provides an automatic control line handshake, moving data between the FIFO and the ECP port only in the data transfer phase (modes 011 or 010).

Setting the mode to 011 or 010 will cause the hardware to initiate data transfer.

If the port is in mode 000 or 001 it may switch to any other mode. If the port is not in mode 000 or 001 it can only be switched into mode 000 or 001. The direction can only be changed in mode 001.

Once in an extended forward mode the software should wait for the FIFO to be empty before switching back to mode 000 or 001. In this case all control signals will be deasserted before the mode switch. In an ecp reverse mode the software waits for all the data to be read from the FIFO before changing back to mode 000 or 001. Since the automatic hardware ecp reverse handshake only cares about the state of the FIFO it may have acquired extra data which will be discarded. It may in fact be in the middle of a transfer when the mode is changed back to 000 or 001. In this case the port will deassert nAutoFd independent of the state of the transfer. The design shall not cause glitches on the handshake signals if the software meets the constraints above.

ECP Operation

Prior to ECP operation the Host must negotiate on the parallel port to determine if the peripheral supports the ECP protocol. This is a somewhat complex negotiation carried out under program control in mode 000.

After negotiation, it is necessary to initialize some of the port bits. The following are required:

- Set Direction = 0, enabling the drivers.
- Set strobe = 0, causing the nStrobe signal to default to the deasserted state.
- Set autoFd = 0, causing the nAutoFd signal to default to the deasserted state.
- Set mode = 011 (ECP Mode)

ECP address/RLE bytes or data bytes may be sent automatically by writing the ecpAFifo or ecpDFifo respectively.

Note that all FIFO data transfers are byte wide and byte aligned. Address/RLE transfers are byte-wide and only allowed in the forward direction.

The host may switch directions by first switching to mode = 001, negotiating for the forward or reverse channel, setting direction to 1 or 0, then setting mode = 011. When direction is 1 the hardware shall handshake for each ECP read data byte and attempt to fill the FIFO. Bytes may then be read from the ecpDFifo as long as it is not empty.

ECP transfers may also be accomplished (albeit slowly) by handshaking individual bytes under program control in mode = 001, or 000.

Termination from ECP Mode

Termination from ECP Mode is similar to the termination from Nibble/Byte Modes. The host is permitted to terminate from ECP Mode only in specific well-defined states. The termination can only be executed while the bus is in the forward direction. To terminate while the channel is in the reverse direction, it must first be transitioned into the forward direction.

Command/Data

ECP Mode supports two advanced features to improve the effectiveness of the protocol for some applications. The features are implemented by allowing the transfer of normal 8-bit data or 8-bit commands.

When in the forward direction, normal data is transferred when HostAck is high and an 8-bit command is transferred when HostAck is low. The most significant bit of the command indicates whether it is a run-length count (for compression) or a channel address.

When in the reverse direction, normal data is transferred when PeriphAck is high and an 8-bit command is transferred when PeriphAck is low. The most significant bit of the command is always zero. Reverse channel addresses are seldom used and may not be supported in hardware.

Table 50 - Forward Channel Commands (HostAck Low) & Reverse Channel Commands (PeriphAck Low)

D7	D[6:0]
0	Run-Length Count (0-127) (mode 0011 0X00 only)
1	Channel Address (0-127)

Data Compression

The ECP port supports run length encoded (RLE) decompression in hardware and can transfer compressed data to a peripheral. Run length encoded (RLE) compression in hardware is not supported. To transfer compressed data in ECP mode, the compression count is written to the `ecpAFifo` and the data byte is written to the `ecpDFifo`.

Compression is accomplished by counting identical bytes and transmitting an RLE byte that indicates how many times the next byte is to be repeated. Decompression simply intercepts the RLE byte and repeats the following byte the specified number of times. When a run-length count is received from a peripheral, the subsequent data byte is replicated the specified number of times. A run-length count of zero specifies that only one byte of data is represented by the next data byte, whereas a run-length count of 127 indicates that the next byte should be expanded to 128 bytes. To prevent data expansion, however, run-length counts of zero should be avoided.

Pin Definition

The drivers for `nStrobe`, `nAutoFd`, `nIntr` and `nSelectIn` are open-collector in mode 000 and are push-pull in all other modes.

ISA Connections

The interface can never stall causing the host to hang. The width of data transfers is strictly controlled on an I/O address basis per this specification. All FIFO-DMA transfers are byte wide, byte aligned and end on a byte boundary. (The `PWord` value can be obtained by reading Configuration Register A, `cnfgA`, described in the next section.) Single byte wide transfers are always possible with standard or PS/2 mode using program control of the control signals.

Interrupts

The interrupts are enabled by `serviceIntr` in the `ecr` register.

`serviceIntr = 1` Disables the DMA and all of the service interrupts.

`serviceIntr = 0` Enables the selected interrupt condition. If the interrupting condition is valid, then the interrupt is generated immediately when this bit is changed from a 1 to a 0. This can occur during Programmed I/O if the number of bytes removed or added from/to the FIFO does not cross the threshold.

The interrupt generated is ISA friendly in that it must pulse the interrupt line low, allowing for interrupt sharing. After a brief pulse low following the interrupt event, the interrupt line is tri-stated so that other interrupts may assert.

An interrupt is generated when:

1. For DMA transfers: When serviceIntr is 0, dmaEn is 1 and the DMA TC is received.
2. For Programmed I/O:
 - a. When serviceIntr is 0, dmaEn is 0, direction is 0 and there are writeIntrThreshold or more free bytes in the FIFO. Also, an interrupt is generated when serviceIntr is cleared to 0 whenever there are writeIntrThreshold or more free bytes in the FIFO.
 - b. (1) When serviceIntr is 0, dmaEn is 0, direction is 1 and there are readIntrThreshold or more bytes in the FIFO. (2) An interrupt is also generated when serviceIntr is cleared to 0 whenever there are readIntrThreshold or more bytes in the FIFO.
3. When nErrIntrEn is 0 and nFault transitions from high to low or when nErrIntrEn is set from 1 to 0 and nFault is asserted.
4. When ackIntrEn is 1 and the nAck signal transitions from a low to a high.

FIFO Operation

The FIFO threshold is set in the chip configuration registers. All data transfers to or from the parallel port can proceed in DMA or Programmed I/O (non-DMA) mode as indicated by the selected mode. The FIFO is used by selecting the Parallel Port FIFO mode or ECP Parallel Port Mode. (FIFO test mode will be addressed separately.) After a reset, the FIFO is disabled. Each data byte is transferred by a Programmed I/O cycle or PDRQ depending on the selection of DMA or Programmed I/O mode.

The following paragraphs detail the operation of the FIFO flow control. In these descriptions, <threshold> ranges from 1 to 16. The parameter FIFOTHR, which the user programs, is one less and ranges from 0 to 15.

A low threshold value (i.e. 2) results in longer periods of time between service requests, but requires faster servicing of the request for both read and write cases. The host must be very responsive to the service request. This is the desired case for use with a "fast" system.

A high value of threshold (i.e. 12) is used with a "sluggish" system by affording a long latency period after a service request, but results in more frequent service requests.

DMA TRANSFERS

DMA transfers are always to or from the ecpDFifo, tFifo or CFifo. DMA utilizes the standard PC DMA services. To use the DMA transfers, the host first sets up the direction and state as in the programmed I/O case. Then it programs the DMA controller in the host with the desired count and memory address. Lastly it sets dmaEn to 1 and serviceIntr to 0. The ECP requests DMA transfers from the host by activating the PDRQ pin. The DMA will empty or fill the FIFO using the appropriate direction and mode. When the terminal count in the DMA controller is reached, an interrupt is generated and serviceIntr is asserted, disabling DMA. In order to prevent possible blocking of refresh requests dReq shall not be asserted for more than 32 DMA cycles in a row. The FIFO is enabled directly by asserting nPDACK and addresses need not be valid. PINTR is generated when a TC is received. PDRQ must not be asserted for more than 32 DMA cycles in a row. After the 32nd cycle, PDRQ must be kept unasserted until nPDACK is deasserted for a minimum of 350nsec. (Note: The only way to properly terminate DMA transfers is with a TC.)

DMA may be disabled in the middle of a transfer by first disabling the host DMA controller. Then setting serviceIntr to 1, followed by setting dmaEn to 0, and waiting for the FIFO to become empty or full. Restarting the DMA is accomplished by enabling DMA in the host, setting dmaEn to 1, followed by setting serviceIntr to 0.

DMA Mode - Transfers from the FIFO to the Host

(Note: In the reverse mode, the peripheral may not continue to fill the FIFO if it runs out of data to transfer, even if the chip continues to request more data from the peripheral.)

The ECP activates the PDRQ pin whenever there is data in the FIFO. The DMA controller must respond to the request by reading data from the FIFO. The ECP will deactivate the PDRQ pin when the FIFO becomes empty or when the TC becomes true (qualified by nPDACK), indicating that no more data is required. PDRQ goes inactive after nPDACK goes active for the last byte of a data transfer (or on the active edge of nIOR, on the last byte, if no edge is present on nPDACK). If PDRQ goes inactive due to the FIFO going empty, then PDRQ is active again as soon as there is one byte in the FIFO. If PDRQ goes inactive due to the TC, then PDRQ is active again when there is one byte in the FIFO, and serviceIntr has been re-enabled. (Note: A data underrun may occur if PDRQ is not removed in time to prevent an unwanted cycle.)

Programmed I/O Mode or Non-DMA Mode

The ECP or parallel port FIFOs may also be operated using interrupt driven programmed I/O. Software can determine the writeIntrThreshold, readIntrThreshold, and FIFO depth by accessing the FIFO in Test Mode.

Programmed I/O transfers are to the ecpDFifo at 400H and ecpAFifo at 000H or from the ecpDFifo located at 400H, or to/from the tFifo at 400H. To use the programmed I/O transfers, the host first sets up the direction and state, sets dmaEn to 0 and serviceIntr to 0. The ECP requests programmed I/O transfers from the host by activating the PINTR pin. The programmed I/O will empty or fill the FIFO using the appropriate direction and mode.

Note: A threshold of 16 is equivalent to a threshold of 15. These two cases are treated the same.

Programmed I/O - Transfers from the FIFO to the Host

In the reverse direction an interrupt occurs when `serviceIntr` is 0 and `readIntrThreshold` bytes are available in the FIFO. If at this time the FIFO is full it can be emptied completely in a single burst, otherwise `readIntrThreshold` bytes may be read from the FIFO in a single burst.

`readIntrThreshold` = (16-<threshold>) data bytes in FIFO

An interrupt is generated when `serviceIntr` is 0 and the number of bytes in the FIFO is greater than or equal to (16-<threshold>). (If the threshold = 12, then the interrupt is set whenever there are 4-16 bytes in the FIFO.) The PINT pin can be used for interrupt-driven systems. The host must respond to the request by reading data from the FIFO. This process is repeated until the last byte is transferred out of the FIFO. If at this time the FIFO is full, it can be completely emptied in a single burst, otherwise a minimum of (16-<threshold>) bytes may be read from the FIFO in a single burst.

Programmed I/O - Transfers from the Host to the FIFO

In the forward direction an interrupt occurs when `serviceIntr` is 0 and there are `writeIntrThreshold` or more bytes free in the FIFO. At this time if the FIFO is empty it can be filled with a single burst before the `empty` bit needs to be re-read. Otherwise it may be filled with `writeIntrThreshold` bytes.

`writeIntrThreshold` = (16-<threshold>) free bytes in FIFO

An interrupt is generated when `serviceIntr` is 0 and the number of bytes in the FIFO is less than or equal to <threshold>. (If the threshold = 12, then the interrupt is set whenever there are 12 or less bytes of data in the FIFO.) The PINT pin can be used for interrupt-driven systems. The host must respond to the request by writing data to the FIFO. If at this time the FIFO is empty, it can be completely filled in a single burst, otherwise a minimum of (16-<threshold>) bytes may be written to the FIFO in a single burst. This process is repeated until the last byte is transferred into the FIFO.

PARALLEL PORT INTERFACE MULTIPLEXOR

The Parallel Port Physical Interface (PPPI) may be owned and controlled by any of three sources. The sources are detailed as follows:

Table 51 - Parallel Port Multiplexing Options

PPPI Controlling Source Device	Description	Config Register 0x25 Bits[4:3]	PP_HA
8051	The parallel port physical interface is configured as a SPP mode bi-directional parallel port controlled directly by the 8051 through a set of memory mapped external RAM registers.	[X:X]	0
FDC	The parallel port physical interface is configured as a standard Floppy Disk Drive interface. All config and control bits pertaining to the Floppy Disk Controller logical device apply to the PPPI in this mode	[1:0] or [0:1]	1
Host	The parallel port physical interface is configured as the legacy parallel port which supports Compatible, SPP, EPP and ECP modes of operation. All config and control bits pertaining to the parallel port logical device apply to the PPPI in this mode.	[0:0] or [1:1]	1

Shaded areas represent new features added for FDC37C957FR.

When the Host (Parallel Port logical device) owns/controls the parallel port interface, its state (i.e., pwrdown) determines the states of the pins. When the FDC (FDC logical device) owns/controls the parallel port interface, its state (i.e., pwrdown) determines the state of the pins. When the 8051 controls/owns the parallel port interface, it has direct control of the parallel port physical interface pins. Under 8051 control the parallel port output pins are always enabled or driven and only tri-state when VCC2 is removed (powergood=0).

If the Host does not have control of the Parallel Port Physical Interface (PPPI), then it is left as a function of the software driver or BIOS to de-activate the DRQ and IRQ of the Parallel Port Logical Device by either setting its DMA Channel Select Configuration Register to 0x04 and its Interrupt Select Configuration Register to 0x00 or by clearing the Parallel Port Logical Device's Activate bit. Also, if the Host does not have control of the PPPI, then the following parallel port logical device registers are read as follows.

<p>Data Register (read) = last Data Register (write).</p> <p>Control Register (read) : read as "cable not connected" [STROBE, AUTOFD, and SLC = 0 and nINIT = 1.</p> <p>Status Register (read) : nBUSY, PE, SLCT = 0, nACK, nERR = 1.</p>
--

Note: Bit D7 of the 8051 memory mapped DISABLE register (Parallel Port enable bit) has no effect on the parallel port physical interface pins when the port is owned by any source other than the the Host (Parallel Port Logical Device).

Host (Legacy) Parallel Port Interface (FDC37C957FR Standard)

In this mode, the parallel port pins are controlled by the Host through the Parallel Port Logical Device. Refer to the Configuration section and the Parallel Port section for information on the configuration and control registers respectively.

Parallel Port FDC Interface

In this mode, the Floppy Disk Control signals are available on the parallel port pins. When this mode is selected, the parallel port is not available to the Host.

Parallel Port FDC pin out.

The FDC signals are muxed onto the 'Parallel Port pins as shown in the following table. Outputs are OD24, Open Drain which sink 24ma.

Table 52 - Parallel Port Floppy Pin Out

Connector Pin #	Chip Pin #	Parallel Port SPP Mode		FDC Mode	
		Signal Name	Pin Direction	Signal Name	Pin Direction
1	--	nSTB	I/O	nDS0	(O)*
2	--	PD0	I/O	nINDEX	I
3	--	PD1	I/O	nTRK0	I
4	--	PD2	I/O	nWP	I
5	--	PD3	I/O	nRDATA	I
6	--	PD4	I/O	nDSKCHG	I
7	--	PD5	I/O	MID0	I
8	--	PD6	I/O	nMTR0	(O)*
9	--	PD7	I/O	MID1	I
10	--	nACK	I	nDS1	(O)*
11	--	BUSY	I	nMTR1	(O)*
12	--	PE	I	nWDATA	O
13	--	SLCT	I	nWGATE	O
14	--	nALF	I/O	DRV DEN0	O
15	--	nERR	I	nHDSEL	O
16	--	nINIT	I/O	nDIR	O

Connector Pin #	Chip Pin #	Parallel Port SPP Mode		FDC Mode	
		Signal Name	Pin Direction	Signal Name	Pin Direction
17	--	nSLCTIN	I/O	nSTEP	O

* These pins are outputs in mode PPF2; in mode PPF1 only one pair, depending on Drive Swap bit, is active and should be connected to the FDD, the inactive pair should not be connected to the FDD.

Parallel Port FDC Control

There are two modes of operation, PPF1 and PPF2. These modes can be selected in Global Configuration Register 0x25 (Device Mode), bits 3 and 4. PPF1 mode has only drive 1 on the parallel port pins; PPF2 mode has drive 0 and 1 on the parallel port pins.

Note : The Drive Swap bit, FDD Mode Configuration Register bit-4 (LD0_CRF0), can be used to swap the motor and drive select outputs on of the Parallel Port FDC.

PPF1: Drive 0 is on the FDC pins. |_ Drive Swap bit = 0
 Drive 1 is on the parallel port pins. |

 Drive 1 is on the FDC pins. |_ Drive Swap bit = 1
 Drive 0 is on the parallel port pins. |

PPF2: Drive 0 is on the parallel port pins.
 Drive 1 is on the parallel port pins.

The following FDC output pins are Open Drain 24mA outputs when the Parallel Port Floppy Disk Controller is selected by the drive select register. Reminder, it is up to the designer to provide pull-up resistors on these FDC output pins.

nWDATA, DRV DEN0, nHSELM nWGATE, nDIR, nSTEP, nDS1, nDS0, nMTR0, nMTR1.

Parallel Port - 8051 Control (FDC37C957FR Standard)

In this mode, the parallel port pins are controlled by the 8051 through a set of three on-chip memory mapped registers. The memory mapped registers are the PAR PORT STATUS, the PAR PORT CONTROL, and the PAR PORT DATA registers. In this mode, the parallel port pins are not controlled by the Parallel Port Logical Device. Refer to the 8051 section of this specification for information on these control registers.

8051 Embedded Controller

FEATURES

- 32K External ROM
- 256 Byte Internal Scratch ROM
- 256 Bytes Internal RAM
- 256 Bytes of External RAM
- 256 Byte External Memory/Mapped Control Register Area
- 128 Byte Special Function Register Area
- Access to 256 Byte RTC CMOS RAM
- 8042 style Keyboard Controller Host Interface
- Six Interrupt Sources
- Watch Dog Timer (WDT)

8051 Functional Overview

The 8051 embedded controller is a fully static CMOS core which is compatible to the industry standard 80C51 micro-controller. This data sheet concentrates on the FDC37C957FR enhancements to the 80C51. For general information about the 80C51, refer to the "Hardware Description of the 8051, 8052, and 80C51" and the "80C51BH-1/80C51BH-2 CHMOS Single-Chip 8-Bit Microcomputer" data sheet in the 8-Bit Embedded Controller Handbook. A large set of External Memory/Mapped Control Registers provide the 80C51 core with the ability to directly control many Functional Blocks of the FDC37C957FR.

Functional Blocks

Provided here is a list of the Functional Blocks that the 8051 core has control of through its on-chip memory/mapped external registers.

- 8042 Style Keyboard Controller Interface
- Extended Interrupts
- Power Management Functions
- Direct Keyboard Scan Matrix, (up to 128 keys)
- Four channel PS/2 Interface
- Access Bus Interface
- LED controls
- 2 Pulse Width Modulators
- RTC CMOS RAM Access
- 8051 Control of the Parallel Port Interface
- 42 General Purpose I/O (GPIO) pins

Powering up or Resetting the 8051

Default Reset Conditions

The FDC37C957FR has two sources of reset: a VCC1 Power On Reset (VCC1 POR) or a VCC2 POR. An FDC37C957FR reset from any of these sources will cause the hardware response shown in Table 54 - 8051 On-Chip External Memory Mapped Registers. Note that the values shown are those prior to any resident firmware control. Refer to Table 54 for the effect of each type of reset on each of the on-chip registers.

Power-Up Sequence

When the 8051 first powers up by VCC1, the ring oscillator is started, once this has stabilized, the 8051 starts executing from program address 00. Once running, the 8051 can access all of the registers that are on VCC1 and if VCC2 is at 5V it can access all of the registers on VCC2. See Table 54 for VCC1 powered on-chip registers that are reset upon VCC2 Power On Reset (VCC2 POR). It is important that 8051 firmware not initialize or write to any of these registers until 1ms following VCC2 = 5V AND PWRGD = 1.

Note : In order to guarantee that the external Flash device has powered up and is ready to operate before the 8051 attempts to access it, the internal VCC1 POR pulse has been extended to 20ms. The internal VCC1 POR signal is asserted upon VCC1 reaching a valid level and will remain asserted for a period of 20ms following the assertion of the VCC1_PWRGD pin.

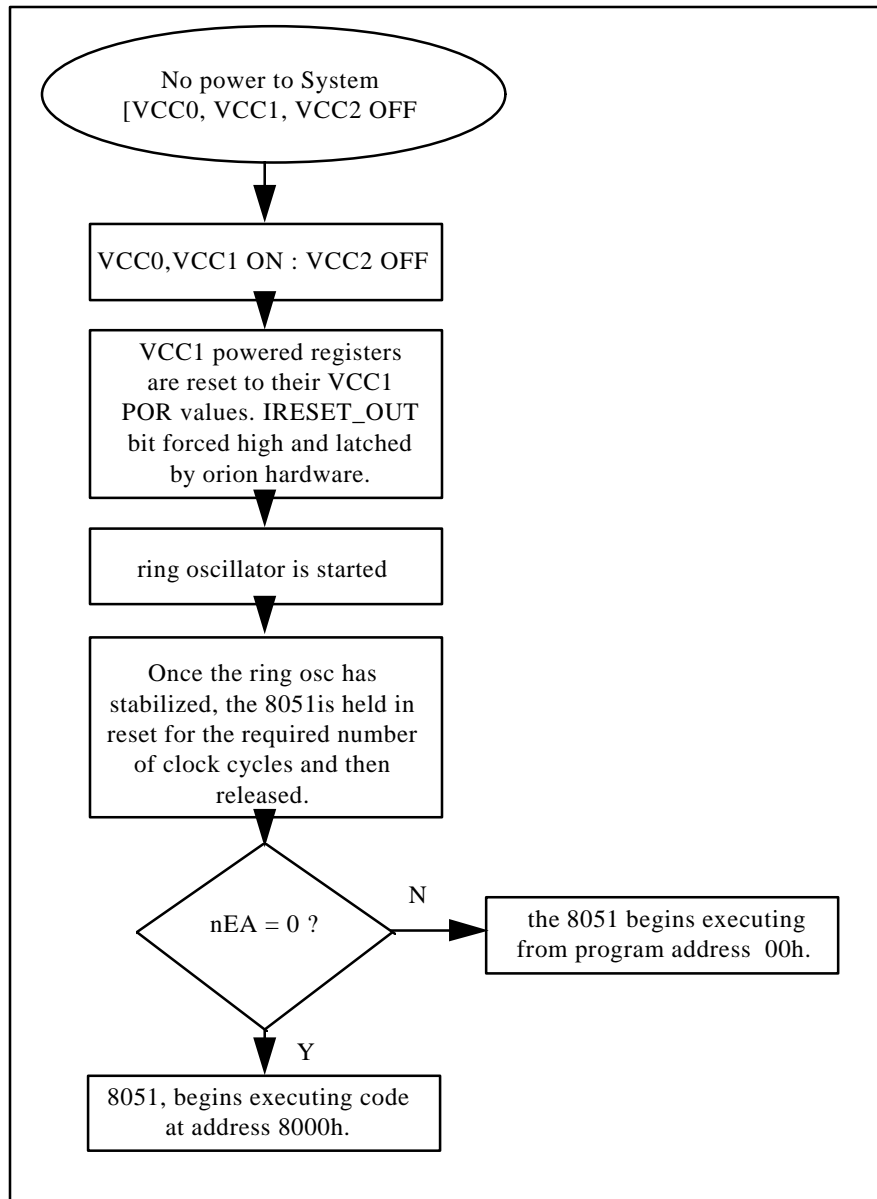
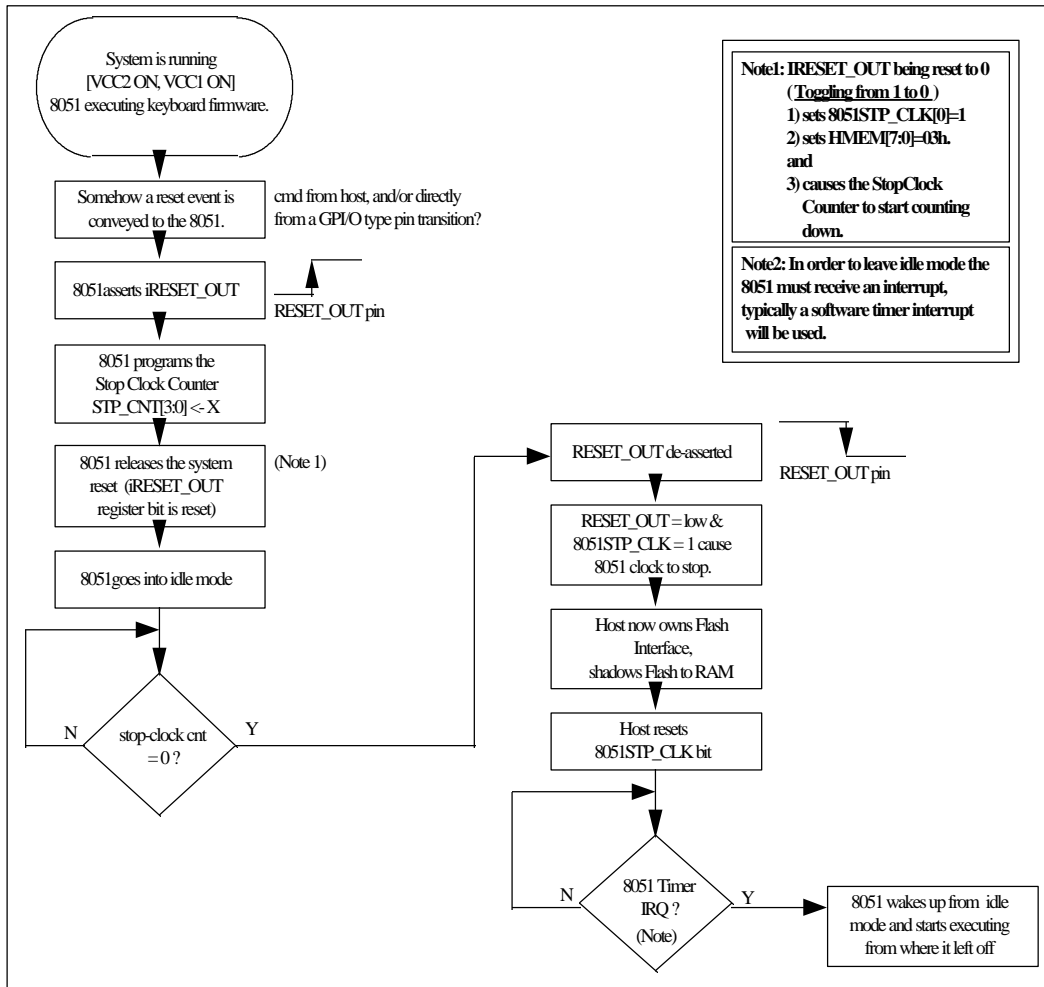


FIGURE 3 - SYSTEM POWER UP SEQUENCE

System Reset Sequence



RESET SEQUENCE

FIGURE 4 - TYPICAL SYSTEM RESET SEQUENCE

Clock Source

EXTERNAL CLOCK SIGNAL:

The X1K clock source is from a 14.318MHz TTL compatible clock. In "SLEEP" mode, the external clock signal on X1K is not loaded by the chip.

INTERNAL CLOCK SIGNAL:

The 8051 may program itself to run off of an internal Ring Oscillator having a frequency range between 4 and 12MHz. This is not a precise clock, but is meant to provide the 8051 with a clock source when VCC2 is shut down in the system.

8051 Memory Map

The 8051 can address 256B of internal Scratch ROM and 32K of external ROM. The nEA pin is used to enable access to the 256B of internal Scratch ROM or External program ROM. The FDC37C957FR also contains 256 bytes of internal on-chip RAM.

When nEA=0, All the ROM is addressed as the external ROM. It can support up to 32K bytes of external code memory addressed as 00h to 7FFFh (the addresses from 8000h to FFFFh wrap to the same addresses as 00h to 7FFFh). This 32K can be mapped to any of the eight 32K memory blocks in the 256K external ROM by the KMEM register. At initial power-up (VCC1 POR) the chip will execute from the block selected by the default value of the KMEM register.

The 8051 can access upto 32K bytes of external RAM addressed from 0-7FFFh. Refer to Table 54 for a list of the implemented on-chip memory mapped registers. External memory addressed from 8000h-FFFFh will access the 32K bytes of program memory (8000-FFFFh) selected by the KMEM register.

The 256 bytes of RAM from 7E00h-7EFFh as well as the 256 bytes of Scratch RAM from 7D00h-7DFFh are powered by VCC1. These are general purpose Read/Write registers available to the 8051. The Scratch RAM may be converted into scratch ROM by setting the MMC bit.

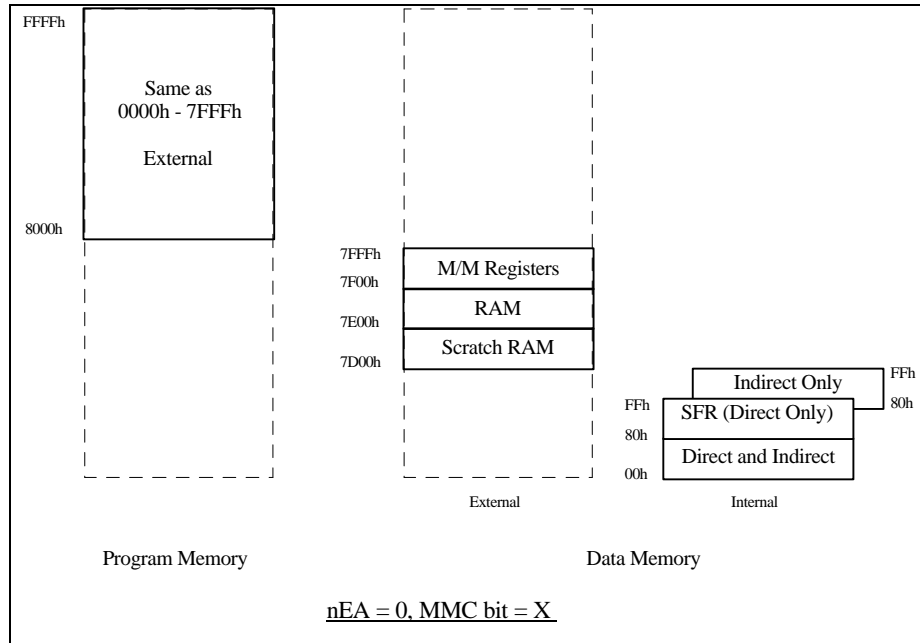
Memory Map Configuration Control Bit

The Configuration Register 0, an 8051 memory mapped register at address 7FF4h includes a bit called the Memory Map Control bit (MMC). The MMC bit is bit-3 of this register and defaults to zero on VCC1 POR. When MMC=0 the 8051 memory map will contain an additional 256 bytes of external scratch RAM in the address range 7D00h through 7DFFh. When MMC=1 the scratch ram at 7D00h-7DFFh becomes scratch ROM at 00h-0FFh.

The Configuration Register 0 register is described in the 8051 Control Register Section of this specification.

Memory Map with [nEA=0]

If nEA is held low the 8051 memory map is shown in the figure below.



Instructions to access memory

MOV : Internal RAM/Registers.

MOVC : Program ROM from 0000h through FFFFh

MOVX : External RAM from 7D00h through 7FFFh -AND-

External ROM from 8000h through FFFFh. (allows flashing of ROM).

Memory Map with [nEA=1]

This section describes the 8051 memory map when the nEA pin is high. The MMC bit determines the configuration of the 8051's memory map. When nEA=1 an additional 256 of re-writable ROM space can be added to the 8051's internal ROM space to allow patch code upgrades. In order to take advantage of this extra 256 bytes of scratch RAM/ROM certain design considerations must be met as outlined in the following Implementor's notes.

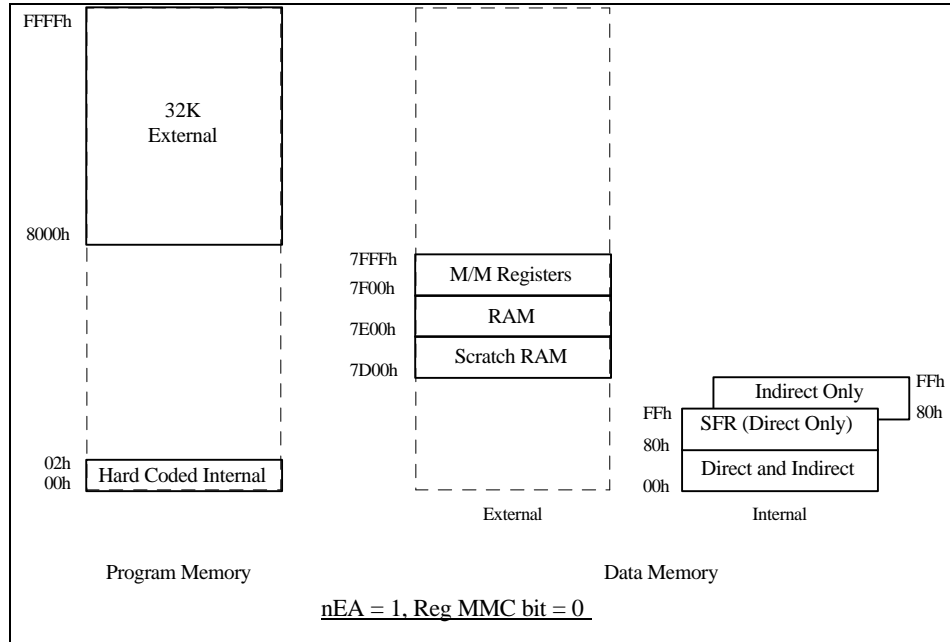
Implementor's Notes
<ol style="list-style-type: none">1) Interrupt Service Routines must be absolutely located or JMP instructions must be located at {0x03, 0x0B, 0x13, 0x1B, 0x23, 0x2B} to {0x8003, 0x800B, 0x8013, 0x801B, 0x8023, 0x802B} respectively. This leaves (256-51) = 205 bytes for patch code.2) Allows Interrupt Service Routines to be patched.3) Requires a Boot Block Flash type part.

MMC bit = 0

When the MMC bit is low (VCC1 POR default) a hard coded long jump LJMP to 8000h is encoded at addresses 00h through 02h and a 256 byte scratch RAM is located at external addresses 7D00-7DFF. The encoding for the hard coded Long Jump is shown in the following table.

8051 Address	Encoding
00h	02h
01h	80h
02h	00h

Table : Hard Coded LJMP to 8000h.

Instructions to access memory

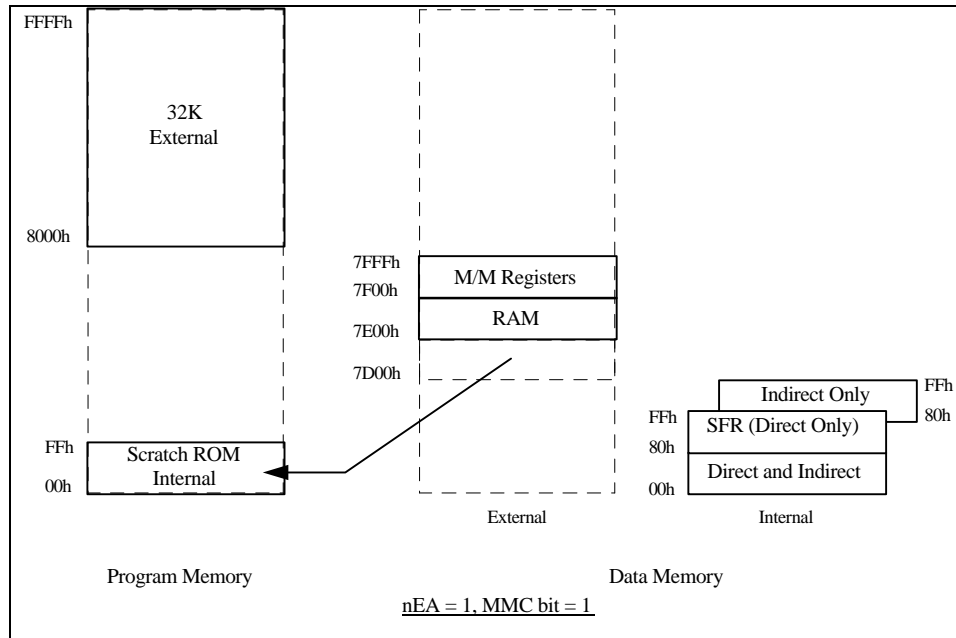
MOV : Internal RAM/Registers.

MOVC : Program ROM from 8000h through FFFFh

MOVX : External RAM from 7D00h through 7FFFh -AND-
External ROM from 8000h through FFFFh. (allows flashing of ROM).

MMC bit = 1

When the MMC bit is high the scratch RAM at 7D00h-7DFFh is disabled and now becomes the executable internal scratch ROM at address locations 00h-0FFh. The hard coded LJMP to 8000h is overridden by the scratch ROM.

Instructions to access memory

MOV : Internal RAM/Registers.

MOVC : Program ROM from 8000h through FFFFh called from 00h-0FFh or from 8000h-0FFFFh.
Program ROM from 00h through 0FFh called from 00h-0FFh only.

MOVX : External RAM from 7E00h through 7FFFh -AND-
External ROM from 8000h through FFFFh. (allows flashing of ROM).

8051 Control Registers

Internal Special Function Registers (SFRs)

Table 53 is a map of the on-chip Special Function Register (SFR) space. The FDC37C957FR provides all standard 80C51 SFRs (see the "Hardware Description of the 8051 and 8052 and 80C51" in the 8-Bit Embedded Controller Handbook).

Table 53 - SFR Memory MAP

F8H								MSIZ	FFH
F0H	B*								F7H
E8H									EFH
E0H	ACC*								E7H
D8H									DFH
D0H	PSW*								D7H
C8H									CFH
C0H									C7H
B8H	IP*								BFH
B0H	P3*								B7H
A8H	IE*								AFH
A0H	P2*								A7H
98H	SCON*	SBUF							9FH
90H	P1*								97H
88H	TCON*	TMOD	TL0	TL1	TH0	TH1			8FH
80H	P0*	SP	DPL	DPH	Res	Res	Res	PCON	87H

First Column = Starting Address

Last column = Ending Address

*=Bit-addressable register

Res = Reserved for test

Port 0: Full SFR, can be used for external memory access (but this corrupts the values in the SFR.) Can not sample any pins when reading the SFR.

Port 1: Does not exist.

Port 2: Full SFR, can be used to supply the high address byte for internal, external (MOVX) access to the memory mapped registers or the flash registers.

Port 3: Does not exist.

External Memory Mapped Control Registers (MMCRs)

Table 54 describes the complete set of on-chip memory-mapped registers accessed by the 8051. The internal memory mapped registers can be accessed by the following types of instructions.

1. movx A,@DPTR
2. movx @DPTR,A
3. mov P2,#7FH
4. movx A,@Rx (R0 or R1 only)
4. mov P2,#7FH
4. movx @Rx,A (R0 or R1 only)

ISAxhh = system ISA I/O address

IDXxxh = Open Mode Index Addressable Registers, See Configuration Section of this specification.

8051 Addresses = on-chip external Memory Mapped Register locations

Table 54 - 8051 On-Chip External Memory Mapped Registers

	Sys. index	Sys. R/W	8051 address (7F00+)	8051 R/W	Power Source	VCC1 POR	VCC2 POR	Zero Wait State (8)	Notes	See Page #
Host I/F Data Reg [KBD Data/ Command Write Reg.]	ISA 60h ISA 64h	W	F1h	R	VCC1	N/A		Y	(1,7)	179
Host I/F Data Reg [KBD Data Read Reg.]	ISA 60h	R	F1h	W	VCC1	N/A		Y		179
Host I/F Status Reg [KBD Status Reg.]	ISA 64h	R	F2h	R/W	VCC1	00h		Y	(2,7)	180
RTC Address 1	ISA 70h	R/W	-----	N/A	VCC1	00h				222
RTC Data 1	ISA 71h	R/W	-----	N/A	VCC1	N/A				222
RTC Address 2	ISA 74h	R/W	-----	N/A	VCC1	00h				222
RTC Data 2	ISA 76h	R/W	-----	N/A	VCC1	N/A				222
HTIMER	-----	N/A	F3h	R/W	VCC1	00h				177
Config Reg 0	-----	N/A	F4h	R/W	VCC1	00h				153
RTCCNTRL	-----	N/A	F5h	R/W	VCC1	80h			6	201
RTCADDRL	-----	N/A	F6h	R/W	VCC1	00h				202
RTCDATAL	-----	N/A	F7h	R/W	VCC1	00				202
RTCADDRH	-----	N/A	F8h	R/W	VCC1	00h				202
RTCDATAH	-----	N/A	F9h	R/W	VCC1	00h				202

	Sys. index	Sys. R/W	8051 address (7F00+)	8051 R/W	Power Source	VCC1 POR	VCC2 POR	Zero Wait State (8)	Notes	See Page #
Aux Host Data Reg [KBD Data Read Reg.]	ISA 60h	R	FAh	R/W	VCC1	N/A		Y	3	183
GATEA20	-----	N/A	FBh	R/W	VCC1	01h				185
PCOBF	-----	N/A	FDh	R/W	VCC1	00h				181
SETGA20L	-----	N/A	FEh	W	VCC1	N/A				185
RSTGA20L	-----	N/A	FFh	W	VCC1	N/A				185
Interrupt 0 source register	-----	N/A	00h	R	VCC1	00h				159
Interrupt 0 mask register	-----	N/A	01h	R/W	VCC1	00h				159
Interrupt 1 source register	-----	N/A	02h	R	VCC1	00h				160
Interrupt 1 mask register	-----	N/A	03h	R/W	VCC1	00h				160
Keyboard Scan out	-----	N/A	04h	W	VCC1	20h				189
Keyboard Scan in	-----	N/A	04h	R	VCC1	N/A				190
Device Rev register	-----	N/A	06h	R	VCC1	01h				152
Device ID register	-----	N/A	07h	R	VCC1	07h				152
System-to-8051 Mailbox register 0	IDX 82h	R/W	08h	RC	VCC1	00		Y	4	192
8051-to-system Mailbox register 1	IDX 83h	RC	09h	R/W	VCC1	00		Y	5	192
Mailbox register [2-F]	IDX 84h-91h	R/W	0A-17h	R/W	VCC1	00h		Y		193
GPIO Direction register A	-----	N/A	18h	R/W	VCC1	00h				208
GPIO Ouput register A	-----	N/A	19h	R/W	VCC1	00h				209
GPIO Input register A	-----	N/A	1Ah	R	VCC1	N/A				209
GPIO Direction register B	-----	N/A	1Bh	R/W	VCC1	00h				209
GPIO Ouput register B	-----	N/A	1Ch	R/W	VCC1	00h				210

	Sys. index	Sys. R/W	8051 address (7F00+)	8051 R/W	Power Source	VCC1 POR	VCC2 POR	Zero Wait State (8)	Notes	See Page #
GPIO Input register B	-----	N/A	1Dh	R	VCC1	N/A				210
GPIO Direction register C	-----	N/A	1Eh	R/W	VCC1		00h		12	210
GPIO Ouput register C	-----	N/A	1Fh	R/W	VCC1		00h		12	211
GPIO Input register C	-----	N/A	20h	R	VCC1		N/A			211
LED register	-----	N/A	21h	R/W	VCC1		00h		12	199
OUT register D	-----	N/A	22h	R/W	VCC1		FFh		12	211
OUT register E	-----	N/A	23h	R/W	VCC1		0Fh		12	212
IN register F	-----	N/A	24h	R	VCC1	N/A				212
PWM0 register	IDX 92h	R/W	25h	R/W	VCC1	00h		Y		200
PWM1 register	IDX 93h	R/W	26h	R/W	VCC1	00h		Y		200
KSTP_CLK	-----	N/A	27h	R/W	VCC1	10h				154
KMEM	-----	N/A	29h	R/W	VCC1	00h				165
WAKEUP Source 1	-----	N/A	2Ah	R	VCC1	00h				175
WAKEUP Source 2	-----	N/A	2Bh	R	VCC1	00h				175
WAKEUP mask 1	-----	N/A	2Ch	R/W	VCC1	00h				176
WAKEUP mask 2	-----	N/A	2Dh	R/W	VCC1	00h				177
Multiplexing 3 register	-----	N/A	30h	R/W	VCC1	00h				220
ACCESS.BUS Control reg	-----	N/A	31h	W	VCC1	00h				196/236
ACCESS.BUS Status reg	-----	N/A	31h	R	VCC1	81h				196/237
ACCESS.BUS Own Address reg	-----	N/A	32h	R/W	VCC1	00h				196/239
ACCESS.BUS Data reg	-----	N/A	33h	R/W	VCC1	00h				197/240
ACCESS.BUS Clock	-----	N/A	34h	R/W	VCC1	00h				197/240
WAKEUP Source 3	-----	N/A	35h	R	VCC1	00h				176
WAKEUP Mask 3	-----	N/A	36h	R/W	VCC1	FFh				177

	Sys. index	Sys. R/W	8051 address (7F00+)	8051 R/W	Power Source	VCC1 POR	VCC2 POR	Zero Wait State (8)	Notes	See Page #
WDT Control/Status	-----	N/A	37h	R/W	VCC1	00h				162
TWD Timer	-----	N/A	38h	R/W	VCC1	FFh				162
PP Status Reg		N/A	3Ah	R/W	VCC2		00h		9	204
PP Control Reg	-----	N/A	3Bh	R/W	VCC2		00h			205
PP Data Reg	-----	N/A	3Ch	R/W	VCC2		00h			205
Multiplexing 1 register	-----	N/A	3Dh	R/W	VCC1	00h				213
Output Enable register			3Eh	R/W	VCC1	see note	see note		11	156
DISABLE register	-----	N/A	3Fh	R/W	VCC1	00h				155
Multiplexing 2 register	-----	N/A	40h	R/W	VCC1	00h				216
PS/2 port1 Control register		N/A	41h	R/W	VCC2		00h			194/242
PS/2 port1 status register		N/A	42h	R	VCC2		00h			194/243
PS/2 port1 Error Status Register		N/A	43h	R	VCC2		00h			195/244
PS/2 port1 Transmit Reg		N/A	44h	W	VCC2		00h			195/245
PS/2 port1 Receive Reg		N/A	45h	R	VCC2		00h			195/245
RESERVED - SMC	-----	N/A	46h-48h	--	-----	----	----			----
PS/2 port2 Control register	-----	N/A	49h	R/W	VCC2		00h			194/242
PS/2 port2 status register	-----	N/A	4Ah	R	VCC2		00h			194/243
PS/2 port2Error Status Register	-----	N/A	4Bh	R	VCC2		00h			195/244
PS/2 port2 Transmit Reg	-----	N/A	4Ch	W	VCC2		00h			195/245
PS/2 port2 Receive Reg	-----	N/A	4Dh	R	VCC2		00h			195/245
RESERVED - SMC	-----	N/A	4Eh-4Fh	--	-----	----	----			----

	Sys. index	Sys. R/W	8051 address (7F00+)	8051 R/W	Power Source	VCC1 POR	VCC2 POR	Zero Wait State (8)	Notes	See Page #
256 bytes of RAM	-----	N/A	7E00-7EFFh	R/W	VCC1					---

Notes

1. Although the Input and Output Data registers are physically separate, they share address 7FF1H.
2. The ORION CPU cannot write to some bits of the Status register.
3. Writing to the Auxiliary Output Data Register, loads the Output data register and can set the AUXOBF1 output if enabled. This does not set the PCOBF output.
4. Interrupt is cleared when read by the 8051
5. Interrupt is cleared when read by the host
6. See RTC control Register Definition
7. When accessed for a read or write by the System the registers marked with a "Y" will drive the Zero wait state pin active.
8. Bit 0 is the only writable or resettable bit in this register.
9. When IRESET_OUT is cleared (written from "1" to "0") 8051STP_CLK bit D0 as well as HMEM bits D1 and D0 are all set to "1".
10. VCC1 POR = 00000X10b, VCC2 POR = 00000X1Xb where X is not affected by VCC2 POR, but is left at the current value.
11. These registers are reset 500us to 1ms following the condition that BOTH VCC2 is valid and PWRGD is asserted given that the RTC is in normal mode and the VRT bit is set (refer to the RTC section). If the RTC is not in normal mode and/or the VRT bit is not set then these registers are reset within 10us following the condition that BOTH VCC2 is valid and PWRGD is asserted.

8051 Configuration/Control Memory Mapped Registers

Device Rev register

By reading this register, 8051 firmware can confirm the device revision that it is running on.

Host	N/A
8051	0x7F06 (R)
Power	VCC1
Default	0x01

	D7-D0
8051 R	R
Bit description	Hard-wired to 01h

Device ID register

By reading this register, 8051 firmware can determine which device it is running on.

Host	N/A
8051	0x7F07 (R)
Power	VCC1
Default	0x07

	D7-D0
8051 R	R
Bit description	Hard-wired to 07h.

Configuration Register 0

Host	N/A
8051	0x7FF4
Power	VCC1
Default	0x00

Table 55 - Configuration Register 0

D7	D6	D5	D4	D3	D2	D1	D0
AUXH	0	OBFEN	0	MMC	PCOBFEN	SAEN	SLEEPFLAG

- AUXH** Aux in Hardware; When high, AUXOBF of the status register is set in hardware by a write to 7FFAh. When low, AUXOBF of the status register is a user defined bit (UD) and R/W.
- OBFEN** when set PCOBF is gated onto KIRQ and AUXOBF1 is gated onto MIRQ. When low, KIRQ and MIRQ are driven low. Software should not change this bit when OBF of the status register is equal to 1.
- MMC** Memory Map Control Bit : When MMC=0, a 256 Byte Scratch RAM area at 7D00h is available to the 8051. When MMC=1 the Scratch RAM at 7D00h-7DFFh becomes scratch ROM at 00h--FFh.
- PCOBFEN** When high, PCOBF reflects whatever value was written to the PCOBF firmware latch assigned to 7FFDH. When low, PCOBF reflects the status of writes to 7FF1H (the output data register).
- SAEN** Is the software-assist enable. When set to '1' SAEN allow control of the GATEA20 signal via firmware. If SAEN is reset to '0', GATEA20 corresponds to either the last host-initiated control of GATEA20 or the firmware write to 7FFEh or 7FFFh.
- SLEEPFLAG** If SLEEPFLAG="0" when PCON bit-0 is set, the 8051 enters "IDLE" mode, whereas if SLEEPFLAG="1" when PCON bit-0 is set the 8051 enters "SLEEP" mode. This bit is cleared by the occurrence of any wake-up events and on VCC1 POR.

KSTP_CLK Register

Host	N/A
8051	0x7F27
Power	VCC1
Default	0x10

D7	D6	D5	D4	D3	D2	D1	D0
KBCLK1	KBCLK0	KBCLK/ROSC	ROSCEN	STP_CNT[3:0]			

Note: ROSC refers to the ring oscillator.

STP_CNT[x] This defines the number of machine cycles from when the internal IRESET_OUT bit is cleared until the external RESET_OUT pin goes inactive low (deasserts) .

ROSCEN This bit reflects the state of the ring oscillator clock at all times. The 8051 can write this bit to start or stop the ring oscillator. Other hardware events can also start or stop this clock.
 =1 turn on ring oscillator
 =0 turn off ring oscillator
 This bit is reset when the 8051 goes into "SLEEP" mode and is set when the 8051 first wakes up from "SLEEP" mode.

KBCLK/ROSC This bit is used to control the clock source for the 8051.
 1 = 8051 clock source is KBCLK
 0 = 8051 clock source is ring oscillator.
 This bit is reset when the 8051 just wakes up from the "SLEEP" mode

KBCLK1	KBCLK0	
0	0	stop KBCLK (default)
0	1	KBCLK = 12 MHz
1	0	KBCLK = 14. 318 MHz
1	1	KBCLK = 16 MHz

DISABLE register

Host	N/A
8051	0x7F3F
Power	VCC1
Default	0x00

If '0', these bits override the enable bits in the Configuration registers.

	D7	D6	D5	D4	D3	D2	D1	D0
8051 R/W	R/W	R/W	R/W	R/W	R/W	R/W	R/W	R/W
System R/W	N/A	N/A	N/A	N/A	N/A	N/A	N/A	N/A
	Parallel Port 1 = Enable 0 = disable	serial port 1 = Enable 0 = disable	IR port 1 = Enable 0 = disable	floppy port 1 = Enable 0 = disable	User Defined	system flash interface 1 = Enable 0 = disable Note 1	Re- served	Re- served

Note 1: If D2=0, then the FLASH is write protected from the system. The system can still read the FLASH

Output enable register

Host	N/A
8051	0x7F3E
Power	VCC1
Default	0000X10b on VCC1 POR 0000X1Xb on VCC2 POR

Output Enable Register VCC1 POR = 0x0000X10, VCC2 POR = 0000X1Xb where **X** means the bit holds its setting preceding VCC2 POR.

	D7-D4	D3	D2	D1	D0
8051 AR	R/W	R/W	R	R/W	R/W
	Reserved 0	iRESET_ OVRD	Power_Good	iRESET_OUT	32KHz Output

AR= Access Rights

iRESET_OUT Definition:

When POWERGOOD=1, iRESET_OUT is controlled by the 8051.

When POWERGOOD=0, iRESET_OUT is forced high (within 100nsec) and latched. The RESET_OUT pin is not driven until VCC2 is applied. iRESET_OUT cannot be cleared by the 8051 until POWERGOOD=1.

iRESET_OVRD :

iRESET Override - when cleared the iRESET_OUT bit functions as described above (i.e., as on the current Orion devices). When set, iRESET_OUT is given direct control over the internal reset and perhaps the RESET_OUT and nRESET_OUT pins without requiring the STOP_CLK counter or affecting the 8051STP_CLK bit or the HMEM register. In the override mode, setting iRESET_OUT may or may not drive RESET_OUT high and clearing iRESET_OUT may or may not drive RESET_OUT low.

The RESET_OUT Override function allows the 8051 to take the rest of the Orion FR chip (SIO) out of reset without giving up control (i.e., without stopping its clock and giving the flash interface to the Host).

On the current Orion device, RESET_OUT is driven low by this sequence of events (refer to **FIGURE 4 - TYPICAL SYSTEM RESET SEQUENCE** for more information :

- 1) 8051 sets STP_CNT to a non-zero value
- 2) 8051 clears iRESET_OUT bit, causing...
 - a) 8051STP_CLK bit-0 to get set.
 - b) HMEM[7:0] to get set to 0x03
 - c) and STOP Counter to start decrementing
- 3) When STP_CNT reaches 0 the RESET_OUT pin deasserts (goes low) at which point the 8051's clock stops and the Host owns the Flash interface.

In addition to the above sequence, the FDC37C957FR provides a means for the 8051 to directly control the state of the Super I/O block's internal reset. The FDC37C957FR provides a means for the 8051 to drive low or toggle the chip's internal reset without stopping the 8051 clock or giving the Flash interface to the Host.

8051 Interrupts

The FDC37C957FR provides the five standard 8051 interrupts (Group 0) plus an additional T5INT interrupt which is located at the vector address for Timer 2 which is standard on the 8052 standard micro-controller. Table 56 describes the interrupts.

The Group 0 interrupts use the standard 8051 interrupt enable and priority structures. Each interrupt is individually enabled or disabled by setting or clearing a bit in the interrupt Enable (IE) register (SFR location A8H). Each interrupt is programmed to one of two priority levels by setting or clearing a bit in the interrupt Priority (IP) register (SFR location B8H). See the "Hardware Description of the 8051, 8052, and 80C51" in the 8-Bit Embedded Controller Handbook for more details.

Group 0 interrupts (which HAVE MODIFIED SOURCES FROM the standard 80C51 interrupts) are configurable as either level-or-edge sensitive. Consult the 8-Bit Embedded Controller Handbook for a full description.

Table 56 - Interrupt Sources

INTERRUPT	DESCRIPTION	VECTOR ADDRESS	POLLING ORDER	ACTIVE
Group 0				
INT0	Interrupt INT0	03H	0 (IE0)	L/E
T0INT	Timer 0 Interrupt	0BH	1 (IE1)	
INT1	Interrupt INT1	13H	2 (IE2)	L/E
T1INT	Timer 1 Interrupt	1BH	3 (IE3)	
Serial Port	Serial Port Interrupt	23H	4 (IE4)	E
T5INT	T5 Interrupt (1)	2BH	5 (IE5)	

Note: L = Level-sensitive, E = Edge-sensitive

Note (1): the T5 interrupt, if enabled, is generated as a result of the occurrence of any un-masked wake-up event.

Interrupt Enable register (IE):

This register is based on the standard 8051 IE register. It has been modified to add a definition for bit D5.

	D7	D6	D5	D4	D3	D2	D1	D0
Default	0	0	0	0	0	0	0	0
Bit Def	EA	Reserved	T5INT interrupt enable bit	RI+TI 8051 Serial Port interrupt enable bit	TF1 Timer 1 interrupt enable bit	INT1 External Interrupt 1 enable bit	TF0 Timer 0 interrupt enable bit	INT0 External interrupt 0 enable bit

Interrupt Priority register (IP):

This register is based on the standard 8051 IP register. It has been modified to add a definition for bit D5.

	D7-D5	D5	D4	D3	D2	D1	D0
Default	0	0	0	0	0	0	0
Bit Def	Reserved	T5INT interrupt priority bit	8051 Serial Port interrupt priority bit	Timer 1 interrupt priority bit	External Interrupt 1 priority bit	Timer 0 interrupt priority bit	External interrupt 0 priority bit

Interrupt Polling Sequence

When two or more interrupts with the same priority level become active during the same machine cycle, the chip's internal polling sequence determines the service order. If all six interrupts are set to the same priority level, and all interrupts become active during the same machine cycle, the 8051 services the interrupts in the order shown in Table 56.

Additional Interrupt sources

Inside the FDC37C957FR, interrupt events from various sources are able to generate either an INTO or INT1 8051 interrupt. The 8051 firmware masks these interrupt sources by writings "1's" into the 8051 INTO or INT1 Mask Registers and enables these interrupts by writing "0's" into these mask registers. The 8051 can determine the source of the INTO or INT1 interrupt by reading the 8051 INTO or INT1 Source Register.

8051 INTO source register

Host	N/A
8051	0x7F00 (R)
Power	VCC1
Default	0x00

	D7-D4	D3	D2	D1	D0
8051 R/W	R	R	R	R	R
Bit Description	Reserved	1=MSB Receive Data Changed	1= WK_EE4 transition (both edges)	1 = WK_EE2 transition (both edges)	1 = WK_EE3 transition (both edges)

Note: this register is cleared on a read.

8051 INTO mask register

Host	N/A
8051	0x7F01
Power	VCC1
Default	0x00

	D7-D4	D3	D2	D1	D0
8051 R/W	R/W	R/W	R/W	R/W	R/W
Bit Def	Reserve d	1=mask MSB	1 = mask WK_EE4 (Edge)	1 = mask WK_EE2 transition interrupt	1 = mask WK_EE3 transition interrupt

When enabled, INTO is generated on either positive or negative-going edge of WK_EE4 [ERDY].

8051 INT1 source register

Host	N/A
8051	0x7F02 (R)
Power	VCC1
Default	0x00

	D7	D6	D5	D4	D3	D2	D1	D0
8051 R/W	R	R	R	R	R	R	R	R
Bit Des.	1= IBF Note 1	1 = keyboard scan-in line. Note 2	1= PS/2 port2 Flag (L to H)	1= PS/2 port1 flag (L to H)	1= GPIO3 (Both Edges)	1=Access Bus Note 4	1= system writes to mailbox register 0 Note 5	1= A Wake-up event is active

Bits D0, D2-D6 are cleared by a read. To re-enable these IRQ's you must reset the interrupting condition! (i.e., all active interrupts must be serviced after reading this register).

Note 1: The IBF interrupt bit is set when the host writes to the KBD Data/Command Write Register and cleared when the 8051 reads the data from that register.

Note 2: Bit D6 is latched on a high to low transition. of any of the keyboard scan lines.

Note 3: When enabled, INT1 is generated on either positive or negative-going edge of GPIO3.

Note 4: An Access Bus IRQ is active.

Note 5: This bit is set when the system writes to mailbox register 0. This bit is cleared by a read of the mailbox 0 register

8051 INT1 mask register

Host	N/A
8051	0x7F03
Power	VCC1
Default	0x00

	D7	D6	D5	D4	D3	D2	D1	D0
8051 R/W	R/W	R/W	R/W	R/W	R/W	R/W	R/W	R/W
Bit Def	1= mask IBF	1 = mask the keyboard matrix scan flag	1 = mask PS/2 port2 Flag	1 = mask PS/2 port1 Flag	1 = mask GPIO3	1= mask Access Bus	1 = mask system-to-8051 mailbox register interrupt	1 = mask Wake-up events

Watch Dog Timer

WDT Operation

When enabled, the Watch Dog Timer (WDT) circuit will generate a system reset if the user program fails to reload the watchdog timer (TWD) within a specified length of time known as the 'watchdog interval'.

The WDT consists of an 8-bit timer (TWD) with a 9-bit prescaler. The prescaler is fed with 32KHz which always runs, even if the 8051 is in SLEEP state. The 8-bit TWD timer is decremented every $(1/32\text{KHz}) * 512 \text{ seconds}$ or 16.0 ms. Thus, the watchdog interval is programmable between 16ms and 4.08 seconds on 16ms intervals.

WDT Action

If the 8 bit timer (TWD) underflows, a VCC1 POR is generated

8051 in idle mode - WDT will be active if enabled. When the TWD timer underflows in idle mode, the 8051 will be reset. It is up to the firmware engineer to design code that uses a timer to generate an interrupt that will exit idle mode and re-initialize the TWD timer and then put the 8051 back into idle mode.

8051 in sleep mode - if enabled, the WDT is active since it is running off of the 32KHz clock. Therefore, if the WDT is enabled the 8051 should never remain in the SLEEP state for more than 4 seconds.

WDT Activation

Upon VCC1 POR the Watch Dog Timer powers up inactive. The Watch Dog Timer shall be activated when the WDT enable bit (WDT CONTROL bit D1) is set by 8051 firmware. The WDT may be disabled under software control through a specific sequence. Software can clear the SDT enable bit by :

- 1) Setting the WLE-WDT Load enable bit in the WDT Control/Status Register
- 2) Writing 00h to the TWD Timer Register (this causes the WDT Enable and the WLE_WDT Load Enable bits to each reset to 0).

Once the WDT has been activated, this sequence must be executed in order to disable watchdog operation via software control. Note: Since a VCC1 POR will reset the WDT enable bit, the WDT must be re-enabled after each occurrence.

WDT Reset Mechanism

The watchdog timer (TWD) must be reloaded within periods that are shorter than the programmed watchdog interval; otherwise the TWD will underflow and a VCC1 POR will be generated. It is the responsibility of the user program to continually execute sections of code which reload the 8-bit timer (TWD).

The WDT is reloaded in two stages in order to prevent erroneous software from reloading the watchdog. First WDT CONTROL bit-D0 (WLE-WDT Load Enable) must be set. Then the TWD may be loaded. When TWD is loaded WLE is automatically reset. TWD can not be loaded when WLE is reset. Since the TWD timer is a down counter, a reload value of 01h results in the minimum WDT interval (16ms) and a reload value of 0FFh results in the maximum WDT interval (4.08 seconds). Loading 00h into the TWD disables the WDT and clears the WDT Enable bit. Note, the 9-bit prescaler is initialized whenever the TWD timer is loaded.

WDT Memory Mapped Registers

TWD: Put at Location 7F38 (Default = 0xFF, on VCC1 POR).

	D7	D6	D5	D4	D3	D2	D1	D0
8051 R/W	R/W							
System R/W	N/A							
Bit Def	TWD Timer							

WDT CONTROL/STATUS: Put at Location 7F37. (Default = 0x00, on VCC1 POR).

	D7-D2	D1	D0
8051 R/W	R	R/W	R/W
System R/W	N/A	N/A	N/A
Bit Def	Reserved	WDT Enable	WLE-WDT Load Enable

WLE : Watchdog Load Enable bit must be set to enable writing to the TWD Timer register. This bit is automatically reset when the 8051 writes to the TWD register. If this bit is reset, writes to the TWD register are ignored.

WDT Enable : The WDT enable bit must be set by 8051 firmware to enable or start the Watch Dog Timer. A VCC1 POR or the above described software sequence will reset this bit.

Shared Flash Interface

A 256KB Flash Device (i.e., 28F020) is recommended to store the program code for the 8051 (Keyboard BIOS +) and the system BIOS. The FLASH memory can be accessed from the system in blocks of 64KB or from the 8051 in blocks of 32KB. The procedure to access the FLASH memory is described in the "Host Flash Access" section.

Flash Interface Diagram

Access to the Flash Memory is multiplexed inside of the FDC37C957FR. The Host CPU only has access to the Flash when (nRESET_OUT is not asserted and the 8051 STP_CLK bit-0 is set). Please refer to the Timing section of this specification for details on this interface.

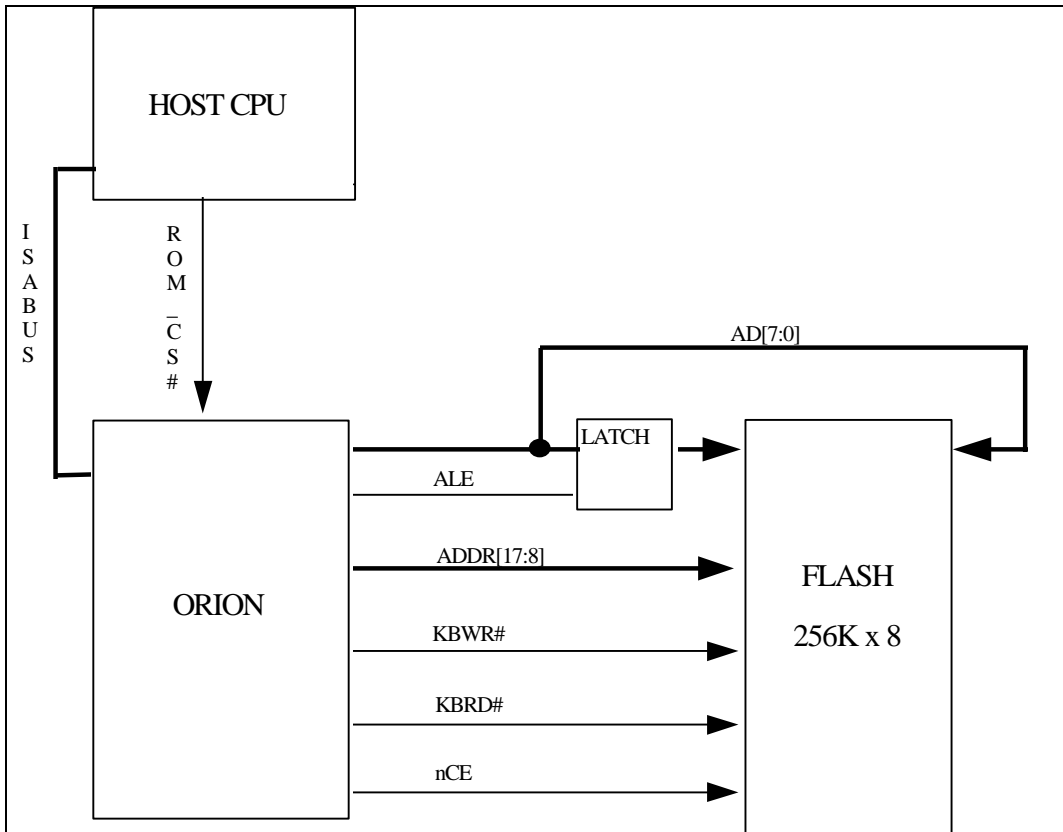


FIGURE 5 - FLASH INTERFACE DIAGRAM

System Flash Access Map

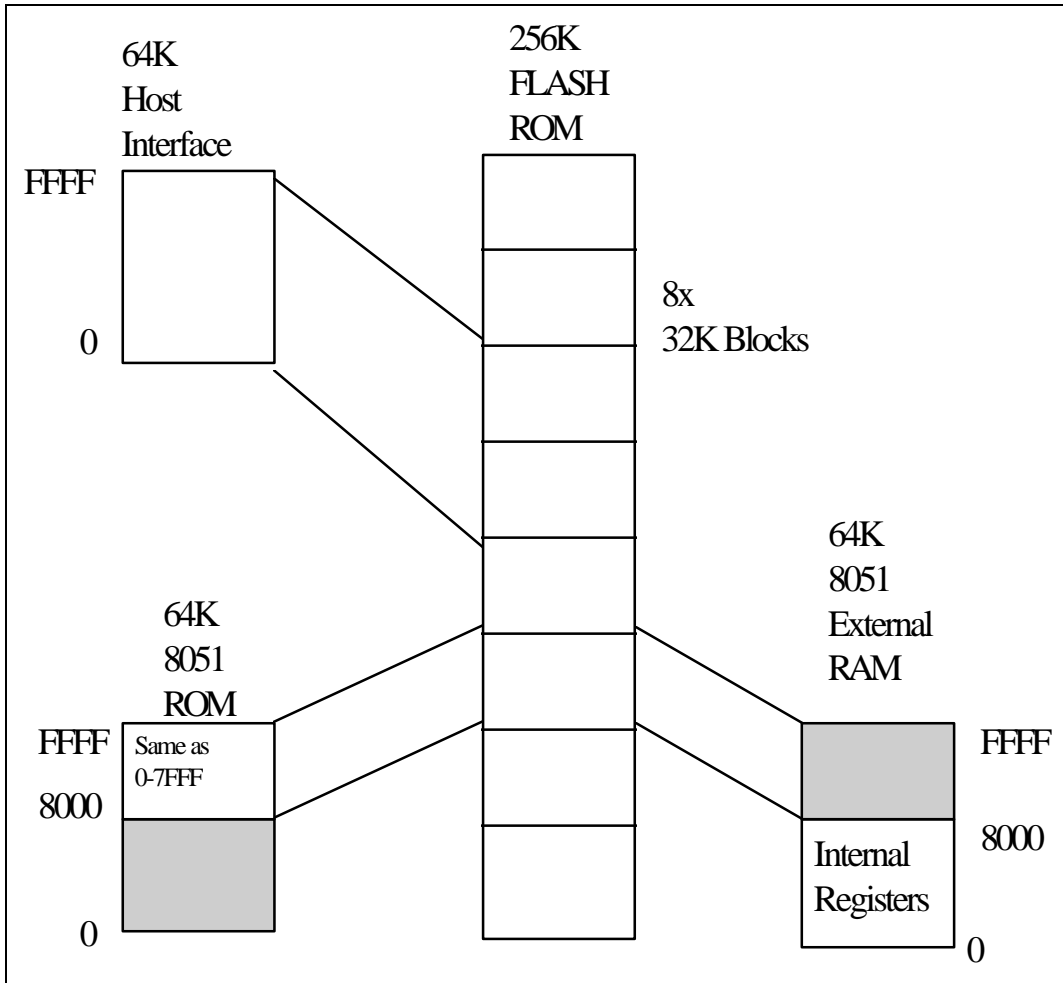


FIGURE 6 - 8051 MODE 2

Keyboard BIOS (KMEM)

KMEM Register

Host	N/A
8051	0x7F29
Power	VCC1
Default	0x00

	D7-D3	D2	D1	D0
8051 R/W	R/W	R/W	R/W	R/W
System R/W	N/A	N/A	N/A	N/A
Bit Def	00 on read	A[17]	A[16]	A[15]

The 8051 uses this register to access the Flash ROM in a 32K window. The 8051 is only barred from accessing the Flash when 8051STP_CLK bit D0 =1 and RESET_OUT=low or deasserted.

KMEM			Flash memory range
17	16	15	
0	0	0	000- 7FFF
0	0	1	8000- FFFF
0	1	0	10000-17FFF
0	1	1	18000-1FFFF
1	0	0	20000-27FFF
1	0	1	28000-2FFFF
1	1	0	30000-37FFF
1	1	1	38000-3FFFF

System BIOS (HMEM)

HMEM Register

Host	IDX 0x95
8051	N/A
Power	VCC1
Default	VCC1 POR = 0x03 VCC2 POR = 0x03

	D7-D2	D1	D0
8051 R/W	R	R	R
System R/W	R/W	R/W	R/W
Bit Def	0	A[17]	A[16]

The System uses this register to select a 64K window for access from the 256K Flash ROM. The Host may access the Flash when RESET_OUT pin is de-asserted and 8051STP_CLK bit D0 = 1.

Host Flash Access

The FDC37C957FR has a special shared Flash ROM interface. The 8051 can be stopped to allow the Host CPU to access the flash ROM after a special handshake sequence is followed.

HOST INITIATED FLASH ACCESS:

To access the FLASH memory, the 8051 must first be placed into idle mode, and then the 8051 clock must be stopped. Host Flash Read and Writes occur when the nROMCS pin is asserted along with nMEMRD or nMEMWR. The register bit "8051_STPCLK" needs to be set by the host to make the 8051 clock stop. The 8051 clock is only stopped when 8051STP_CLK=1 and when RESET_OUT pin = low. Address bits A[15:0] are supplied by SA[15:0], address bits A[17:16] are supplied by configuration register HMEM. For Flash access, these address lines and bits are qualified (selected) by 8051STP_CLK=1, and the RESET_OUT pin = low (RESET_OUT is driven by the 8051)., 8051STP_CLK is set to "1" and HMEM is set to 03h (effectively resulting in A[17:16] initializing as "11" whenever the 8051 clears the IRESET_OUT bit from "1" to "0". This allows the system to execute from the upper 64K of the FLASH memory at boot time. To access the other portions of the FLASH memory, the system software must first change the values of HMEM[1:0] register to control address lines A[17:16]. The access to the FLASH memory uses nFWR for a write and nFRD for a read.

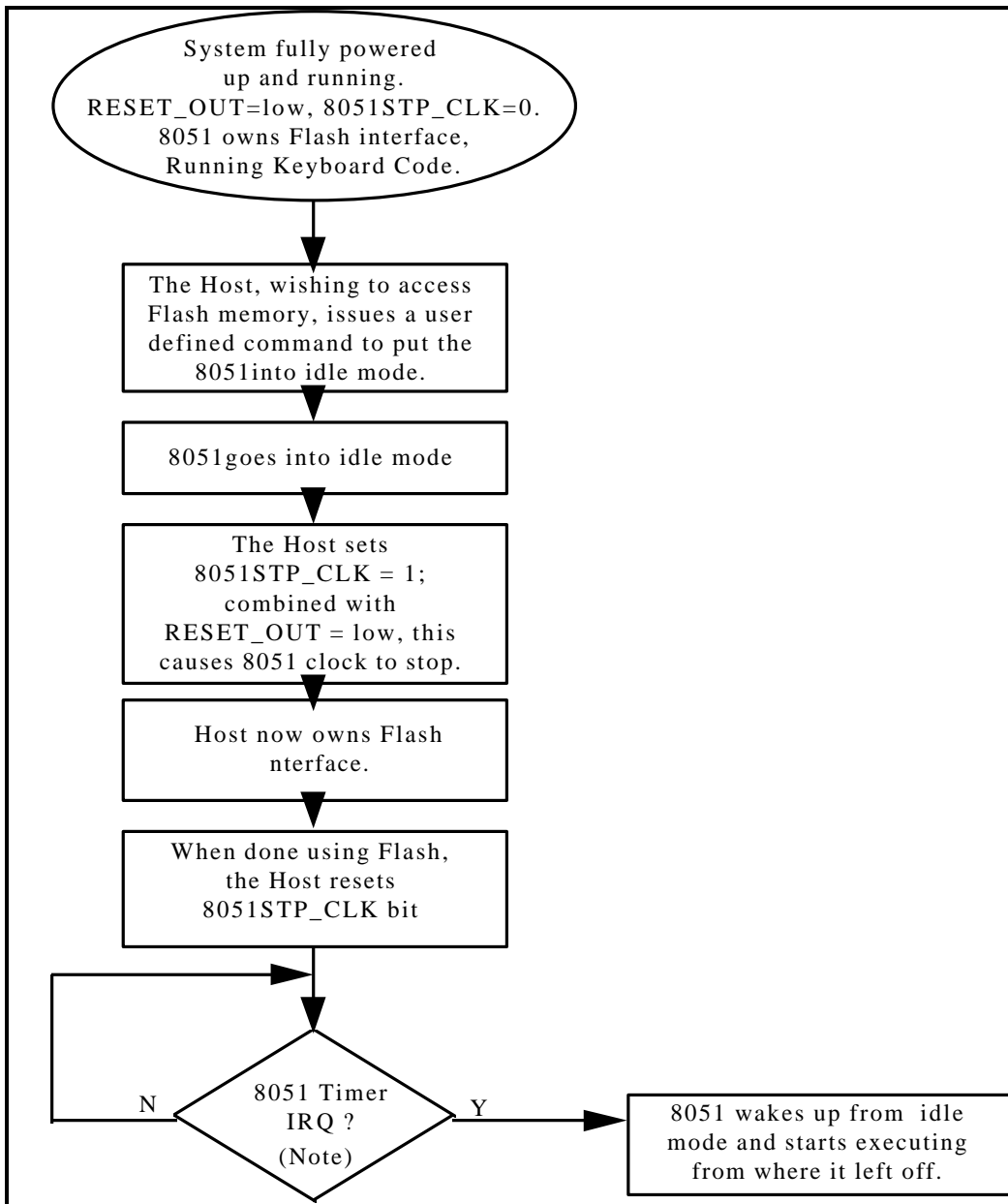


Figure 7 - DYNAMIC SHARING OF FLASH INTERFACE BETWEEN HOST AND 8051

8051 STP_CLK Register

Host	IDX 0x94
8051	N/A
Power	VCC1
Default	0x00

D7	D6	D5-D1	D0
IDLE	HOST_FLASH	Reserved, set to 0	0=8051 Clock can run 1=8051 clock stop

Note : When bit D0=1 the 8051's clock is not stopped unless the RESET_OUT pin is also de-asserted at which point the Host has access to the Flash Memory.

Note : Only bit D0 is R/W, bits[7:1] are Read only.

IDLE : 0 = 8051 not in idle mode
1 = 8051 in idle mode

HOST_FLASH : 0 = Host does not have access to Flash, in use by 8051
1 = Host has access to Flash

8051 System Power Management

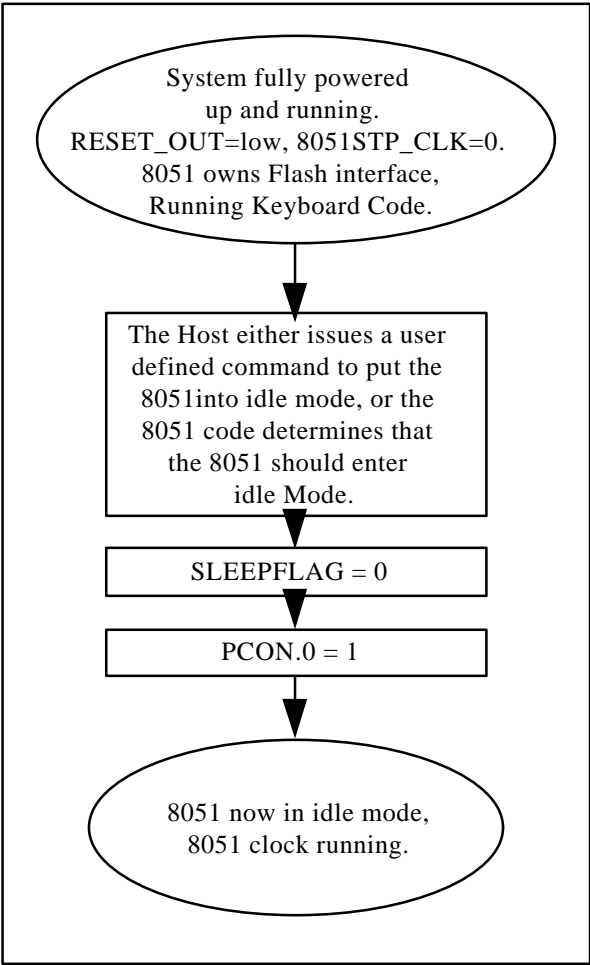
The 80C51 core provides support for two further power-saving modes, available when inactive: "IDLE" mode, typically entered between keystrokes; and "SLEEP" mode, entered upon command from the host. The 8051 is wake-able from "SLEEP" mode through a set of external and internal events called Wake-Up events. The events are listed in Table 57 - System Wake-up Events. When exiting the "SLEEP" mode, the 8051 will continue executing code from where it left off when put into "SLEEP" with no changes to the SFR and pins.

The FDC37C957FR is fully static and will pick-up from where it left off in the event of a wake-up event.

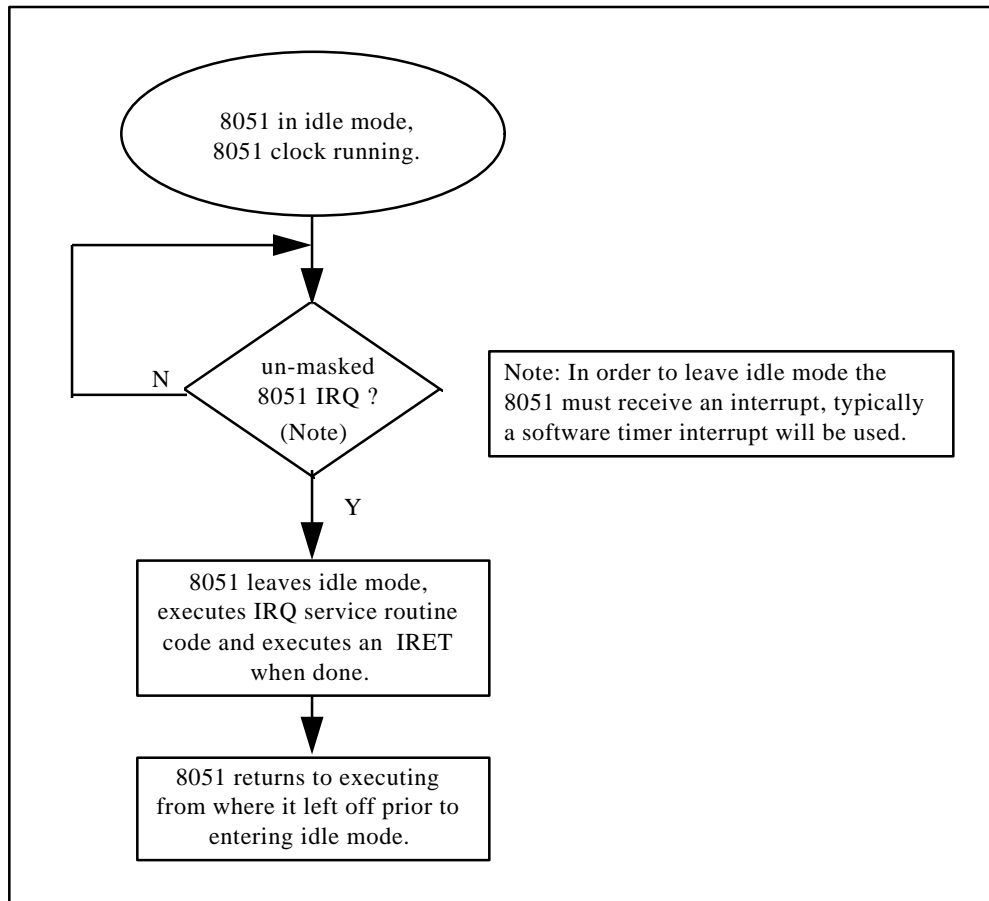
Idle Mode

Entering IDLE mode:

Idle mode is initiated by an instruction that sets the PCON.0 bit (SFR address 87H) in the keyboard. In idle mode, the internal clock signal to the keyboard CPU is gated off, but not to the Interrupt Timer and Serial Port functions. The CPU status is preserved in its entirety: the Stack Pointer, Program Counter, Program Status Word, Accumulator, and all other registers maintain their data. The port pins hold the logical levels they had when Idle mode was activated.



ENTERING IDLE MODE



EXITING IDLE MODE DUE TO IRQ.

Exiting IDLE mode

There are two ways to terminate Idle mode. First, activation of any enabled interrupt will cause the PCON.0 bit to be cleared by hardware. The interrupt will be serviced and, following the RETI, the CPU will resume operation by executing the instruction following the one that put the CPU into Idle mode.

The second way to terminate the Idle mode is with a VCC1 POR. Note that a VCC1 POR will clear the registers. The CPU will not resume program execution from where it left off.

Sleep Mode

“SLEEP” mode sequence

To enter “SLEEP” mode, the 8051:

- 1) turns on the ring oscillator (KSTP_CLK[4] = 1)
- 2) switches the clock source (KSTP_CLK[5] = 0)
- 3) turns off the clock chip (or the whole system power, VCC2)
- 4) masks all interrupts except for T5INT
- 5) sets SLEEPFLAG = 1
- 6) sets PCON.0 = 1
- 7) the ring oscillator will be automatically turned off
- 8) the 8051 goes into “SLEEP” mode

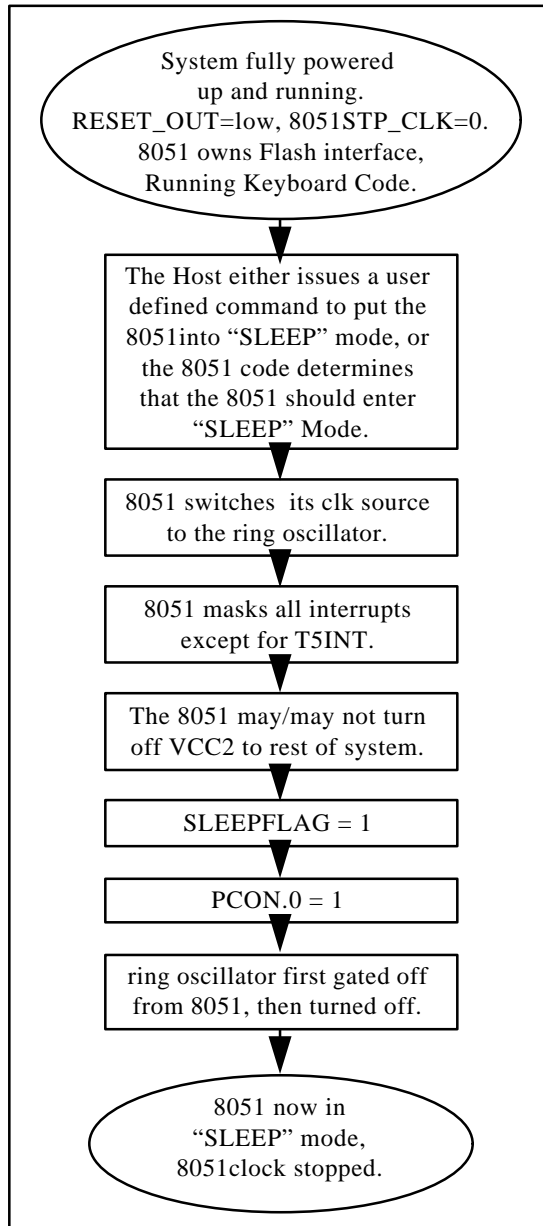
“SLEEP” mode is initiated by a user defined command of event to the 8051. . When the CPU enters “SLEEP” mode, all internal clocks, including the core clocks, are turned off. If an external crystal is used, the internal oscillator is turned off. RAM contents are preserved.

Design Note:

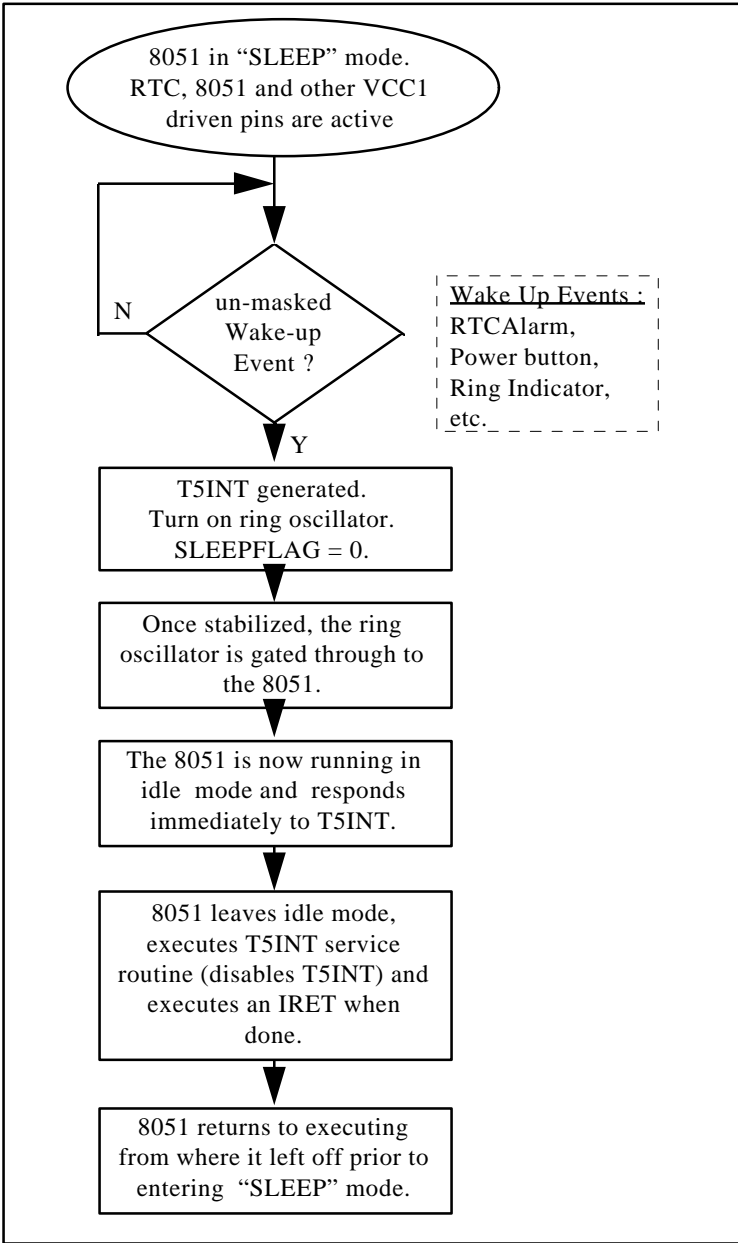
In this mode, the FDC, UART1, UART2 and parallel port are powered off if VCC2 is removed, but the RTC and 8051 are in powerdown (sleep) mode, the chip must consume less than 20uA, and all wake-up pins must still be active.

Exiting “SLEEP” Mode:

When the 8051 is in “SLEEP” mode, all of the clocks are stopped and the 8051 is waiting for an unmasked wake-up event. When the wake-up event occurs, the ring oscillator is started, once this has stabilized, the 8051 starts executing from where it stopped in the “SLEEP” Mode Sequence. Once running, the 8051 can access all of the registers that are on VCC1 and if VCC2 is at 5V it can access all of the registers on VCC2. The 8051 running from the ring oscillator clock source can turn on the clock chip, switch its clock source to 16 Mhz and then turns off the ring oscillator clock source.



ENTERING "SLEEP" MODE



EXITING SLEEP MODE

Wake-up Events

Table 57 - System Wake-up Events

PIN	WAKE-UP EVENTS	LEVEL/EDGE SENSITIVE	INTERNAL OR EXTERNAL	DESCRIPTION
nRI1, nRI2	nRI1, nRI2	Edge, high-to-low	External	UART Ring Indicator
nGPWKUP	nGPWKUP	Edge - high-to-low	External	General purpose wakeup source
WK_HL1	WK_HL1	Edge - high-to-low	External	
WK_HL2	WK_HL2	Edge - high-to-low	External	
AB_DAT	ACCESS.BUS DATA going active	Leading Edge, high-to-low	Internal	ACCESS.BUS Interrupt
WK_HL3	WK_HL3	Edge, high-to-low	External	
WK_HL4	WK_HL4	Edge, high-to-low	External	
WK_HL5	WK_HL5	Edge, high-to-low	External	
WK_EE1	WK_EE1	Either edge	External	
N/A	RTC_ALARM (1)	Leading Edge, low-to-high	Internal	RTC alarm
N/A	HTIMER	Leading Edge, low-to-high	Internal	Hibernation timer
WK_EE2	WK_EE2	Either edge	External	
WK_EE3	WK_EE3	Either edge	External	
WK_HL6	WK_HL6	Edge - high-to-low	External	
WK_EE4	WK_EE4	Either edge	external	
N/A (function of KSI[7:0] pins)	WK_ANYKEY	Edge (High-to-Low)	Internal	Any Keyboard Key pressed
GPIO8/COM-RX	WK_HL7 [IR_WAKEUP]	Edge (High-to-Low)	External	IR energy detected on the GPIO/COM-RX Receive pin.
IRRX	WK_HL8 [IR_WAKEUP]	Edge (High-to-Low)	External	IR energy detected on the RRRX Receive pin.

Wakeup Source Register 1

Host	N/A
8051	0x7F2A (R)
Power	VCC1
Default	0x00

	D7	D6	D5	D4	D3	D2	D1	D0
8051 R/W	R	R	R	R	R	R	R	R
Def	1 = WK_HL5	1 = WK_HL2 occurs	1 = WK_HL1 occurs	1 = AB_DAT ACCESS.BUS interrupt occurs	1 = WK_HL3 occurs	1 = WK_HL4 occurs	1 = WK_EE1 changed (Note 1)	1 = RTC_ALARM occurs (Note 2)

Note : All the bits in this register are cleared on a read of this register.

Note 1: Input is going from low to high or from high to low (read the GPIO register to find out the value of pin) ACCESS.BUS Interrupt -- When ACCESS.BUS=1, a start condition or other event was detected on the ACCESS.BUS bus

Note 2: The RTC_ALARM Wake-up is an internally generated Low-to-High edge, produced when the RTC time updates to match the Time Of Day (TOD) alarm setting. This edge will set bit D0 of Wake-up Source 1 Register. Bit D0 will remain set and will only be reset on a read of Wake-up Source 1 Register. If the Wake-up source register is read before the clock has updated (i.e., RTC still equals the TOD alarm) bit D0 is reset and stays reset until the next occurrence of a RTC_ALARM Wake-up event.

Wakeup source register 2

Host	N/A
8051	0x7F2B (R)
Power	VCC1
Default	0x00

	D7	D6	D5	D4	D3	D2	D1	D0
8051 R/W	R	R	R	R	R	R	R	R
Des.	1 = UART_R12 occurs	1 = UART_R11 occurs	1 = WK_EE4	1 = WK_EE2 transition (both edges)	1 = WK_EE3 transition (both edges)	1 = HTIMER timeouts	1 = WK_HL6 active	1 = nGPWKU P is active

Note : All the bits in this register are cleared on a read of this register.

HTIMER Interrupt -- When HTIMER=1, the hibernation timer counted down to zero.

Wakeup Source Register 3

Host	N/A
8051	0x7F35 (R)
Power	VCC1
Default	0x00

	D7	D6	D5	D4	D3	D2	D1	D0
8051 access	R	R	R	R	R	R	R	R
Host access	N/A	N/A	N/A	N/A	N/A	N/A	N/A	N/A
Description	Reserve d 0	Reserve d 0	Reserve d 0	Reserve d 0	Reserve d 0	1= WK_ HL8 is active	1= WK_ HL7 is active	1= WK_ ANYKEY is active

Note : All the bits in this register are cleared on a read of this register.

Note 1: Anykey Wake-up (WK_ANYKEY) -- When unmasked, the WK_ANYKEY will wake the 8051 from the "SLEEP" state when any of the Keyboard Scan In (KSI) pins goes low. The boolean equation below defines the WK_ANYKEY function.

$$\text{WK_ANYKEY} = \text{!(KSI0 \& KSI1 \& KSI2 \& KSI3 \& KSI4 \& KSI5 \& KSI6 \& KSI7)}$$

Note 2: IR Receive activity Wake-up Events -- On the FDC37C957FR, GPIO8 or IRRX may be configured as an Infrared receive pin. An independently maskable wake-up function is available on each of these pins. When un-masked, a high to low edge transition on either of these pins will generate an 8051 wake-up event.

Wakeup Mask register 1

Host	N/A
8051	0x7F2C
Power	VCC1
Default	0x00

	D7	D6	D5	D4	D3	D2	D1	D0
8051 R/W	R/W	R/W	R/W	R/W	R/W	R/W	R/W	R/W
Description	1 = mask WK_ HL5	1 = mask WK_ HL2	1 = mask WK_ HL1	1 = mask AB_DA TACCE SS.BUS	1 = mask WK_ HL3	1 = mask WK_ HL4	1 = mask WK_ EE1	1 = mask RTC_ ALARM

Wakeup mask register 2

Host	N/A
8051	0x7F2D
Power	VCC1
Default	0x00

	D7	D6	D5	D4	D3	D2	D1	D0
8051 R/W	R/W	R/W	R/W	R/W	R/W	R/W	R/W	R/W
Des.	1 = mask UART RI2	1= mask UART RI1	1= mask WK_ EE4	1 = mask WK_ EE2	1 = mask WK_ EE3	1 = mask HTIMER	1 = mask WK_ HL6	1= mask nGPW KUP

Wakeup mask register 3

Host	N/A
8051	0x7F36
Power	VCC1
Default	0xFF

	D7	D6	D5	D4	D3	D2	D1	D0
8051 access	R/W	R/W	R/W	R/W	R/W	R/W	R/W	R/W
Host access	N/A	N/A	N/A	N/A	N/A	N/A	N/A	N/A
Des-cription	Reserved 1	Reserved 1	Reserved 1	Reserved 1	Reserved 1	1 = Mask WK_HL 8	1 = Mask WK_H L7	1 = Mask WK_ ANYK EY

HTIMER Register

Host	N/A
8051	0x7FF3
Power	VCC1
Default	0x00

Hibernation Timer - This (8 bit binary) count-down timer can be programmed for from 30 seconds to 128 minutes in 30 second increments. When it expires (reaches zero), it stops (remains at 0) and causes a hardware event that will wake up the 8051. This timer is clocked by the 32Khz clock and is powered by VCC1. Writing a non-zero value to this register starts the counter from that value.

Keyboard Controller

8042 Style Host interface

The universal Keyboard Controller uses the 80C51 microcontroller CPU core to produce a superset of the features provided by the industry-standard 8042 keyboard controller. Added features include two high-drive serial interfaces, and additional interrupt sources. The FDC37C957FR provides an industry standard 8042-style Host interface to the 80C51 to emulate standard 8042 keyboard controllers and preserve software backward compatibility with the system BIOS.

The FDC37C957's Keyboard ISA interface is functionally compatible with the 8042 style host interface. It consists of the SD[0:7] data bus; the nIOR, nIOW and the KBD (Keyboard) Status register, KBD Data/Command Write register, and KBD Data Read register. Table 58 shows how the interface decodes the control signals. In addition to the above signals, the host interface includes keyboard and mouse IRQ's.

Table 58 - Keyboard Controller ISA I/O Address Map

ISA Address	nIOW	nIOR	Function (Note 1, 2)
0x60	0	1	Keyboard Data Write (C/D=0)
	1	0	Keyboard Data Read
0x64	0	1	Keyboard Command Write (C/D=1)
	1	0	Keyboard Status Read

All addresses are qualified by AEN.

Note 1: The Keyboard Interface can be enabled or disabled through the configuration registers.

Note 2: These registers consist of three separate 8 bit registers. KBD Status, KBD Data/Command Write and KBD Data Read.

Keyboard Data Write:

This is an 8 bit write only register. When written, the C/D status bit of the status register is cleared to zero and the IBF bit is set.

Keyboard Data Read:

This is an 8 bit read only register. When read, the PBOBF and/or AUXOBF interrupts are cleared and the OBF flag in the status register is cleared.

Keyboard Command Write:

This is an 8 bit write only register. When written, the C/D status bit of the status register is set to one and the IBF bit is set.

Keyboard Status Read:

This is an 8 bit read only register. Refer to the description of the Status Register (7FF2H) for more information.

8051-to-Host Keyboard Communication

The 8051 can write to the KBD Data Read register via address 7FF1H and 7FFAH (Aux Host Data Reg.) respectively. A write to either of these addresses automatically sets Bit 0 (OBF) in the Status register. A write to 7FF1H also sets PCOBF. A write to 7FFAH also sets AUXOBF1 . See Table 59 below.

Table 59 - Host-Interface Flags

8051 Address	Flag
7FF1H(R/W)	PCOBF (KIRQ) output signal goes high
7FFAH(W)	AUXOBF1 (MIRQ) output signal goes high.

Host I/F Data Reg

Host	ISA 0x60
8051	0x7FF1
Power	VCC1
Default	N/A

The Input Data register and, Output Data register, are each 8 bits wide. A write to this 8 bit register by the 8051 will load the Keyboard Data Read Buffer, set the OBF flag and set the PCOBF output if enabled. A read of this register by the 8051 will read the data from the Keyboard Data or Command Write Buffer and clear the IBF flag. Refer to the PCOBF and Status register descriptions for more information.

Host I/F Command Reg

Host	ISA 0x64 (W)
8051	0x7FF1
Power	VCC1
Default	N/A

The Host CPU sends commands to the Keyboard controller by writing command bytes to ISA port 0x64.

Host I/F Status Reg

Host	ISA 0x64 (R)
8051	0x7FF2
Power	VCC1
Default	N/A

The Status register is 8 bits wide. Shows the contents of the KBD Status register.

Table 60 - KBD Status register

D7	D6	D5	D4	D3	D2	D1	D0
UD	UD	AUXOBF/UD	UD	C/D	UD	IBF	OBF

This register is read-only for the Host and read/write by the 8051. The 8051 cannot write to bits 0, 1, or 3 of the Status register.

UD Read/Writable by 8051. These bits are user-definable.

C/D (Command Data)-This bit specifies whether the input data register contains data or a command (0 = data, 1 = command). During a host data/command write operation, this bit is set to "1" if SA2 = 1 or reset to "0" if SA2 = 0.

IBF (Input Buffer Full)- This flag is set to 1 whenever the host system writes data into the input data register. Setting this flag activates the 8051's nIBF interrupt if enabled. When the 8051 reads the input data register, this bit is automatically reset and the interrupt is cleared. There is no output pin associated with this internal signal.

OBF (Output Buffer Full)- This flag is set to 1 whenever the 8051 writes into the data registers at 7FF1H or 7FFAH. When the host system reads the output data register, this bit is automatically reset.

AUXOBF (Auxiliary Output Buffer Full) - This flag is set to 1 whenever the 8051 writes into the data registers at 7FFAH. This flag is reset to 0 whenever the 8051 writes into the data registers at 7FF1H. (Design Note: This function needs to be programmable so that other users are not forced to use this as a hardware function, refer to config register 0.

PCOBF

Host	N/A
8051	0x7FFD
Power	VCC1
Default	0x00

Refer to the PCOBF description for information on this register. 1 Bit (Bits 1-7=0 on read)

Host-to 8051 Keyboard Communication:

The host system can send both commands and data to the KBD Data/Command Write register. The CPU differentiates between commands and data by reading the value of Bit 3 of the Status register. When bit 3 is "1", the CPU interprets the register contents as a command. When Bit 3 is "0", the CPU interprets the register contents as data. During a host write operation, Bit 3 is set to "1" if SA2 = 1 or reset to "0" if SA2 = 0.

PCOBF Description

(The following description assumes that OBFEN = 1 in Configuration Register 0); PCOBF is gated onto KIRQ. The KIRQ signal is a system interrupt which signifies that the 8051 has written to the KBD Data Read register via address 7FF1H. On power-up, PCOBF is reset to 0. PCOBF will normally reflect the status of writes to 7FF1H, if PCOBFEN(bit-2 of Configuration register 0) = 0. . (KIRQ is normally selected as IRQ1 for keyboard support.) PCOBF is cleared by hardware on a read of the Host Data Register.

Additional flexibility has been added which allows firmware to directly control the PCOBF output signal, independent of data transfers to the host-interface data output register. This feature allows the FDC37C957FR to be operated via the host "polled" mode. This firmware control is active when PCOBFEN = 1 and firmware can then bring PCOBF high by writing a "1" to the LSB of the 1-bit data register, PCOBF, allocated at 7FFDH. The firmware must also clear this bit by writing a "0" to the LSB of the 1-bit data register at 7FFDH.

The PCOBF register is also readable; bits 1-7 will return a "0" on the read back. The value read back on bit 0 of the register always reflects the present value of the PCOBF output. If PCOBFEN = 1, then this value reflects the output of the firmware latch at 7FFDH. If PCOBFEN = 0, then the value read back reflects the in-process status of write cycles to 7FF1H (i.e., if the value read back is high, the host interface output data register has just been written to). If OBFEN=0, then KIRQ is driven inactive (low).

AUXOBF1 Description

(The following description assumes that OBFEN = 1 in Configuration Register 0);
 This bit is multiplexed onto MIRQ. The AUXOBF1/MIRQ signal is a system interrupt which signifies that the 8051 has written to the output data register via address 7FFAH. On power-up, after VCC1 POR, AUXOBF1 is reset to 0. AUXOBF1 will normally reflect the status of writes to 7FFAH. (MIRQ is normally selected as IRQ12 for mouse support.) AUXOBF1 is cleared by hardware on a read of the Host Data Register.

If OBFEN=0, then KIRQ is driven inactive (low).

Write to Register	Host I/F Status Register Bits			
	AUXOBF (D5)	OBF (D0)	OBFEN=0	OBFEN=1
7FF1	0	1	KIRQ=0	KIRQ=1
7FFA	1	1	MIRQ=0	MIRQ=1

OBFEN	PCOBFEN	
0	x	KIRQ is inactive and driven low
1	0	KIRQ = PCOBF@7FF1
1	1	KIRQ = PCOBF@7FFD

OBFEN	AUXH	
0	x	MIRQ is inactive and driven low
1	0	MIRQ = PCOBF@7FFA; Status Register D5 = User Defined
1	1	MIRQ = PCOBF@7FFA; Status Register D5 = Hardware Controlled

**8051 AUXOBF1 Control Register
AUX Host Data Register**

Host	ISA 0x60
8051	0x7FFA
Power	VCC1
Default	N/A

Refer to the AUXOBF1 description for information on this register.

GATEA20 Hardware Speed-Up

GateA20 is multiplexed onto GPIO[17] using MISC6. The FDC37C957FR contains on-chip logic support for the GATEA20 hardware speed-up feature. GATEA20 is part of the control required to mask address line A20 to emulate 8086 addressing.

In addition to the ability for the host to control the GATEA20 output signal directly, a configuration bit called "SAEN" (Software Assist Enable, bit 1 of Configuration register 0) is provided; when set, SAEN allows firmware to control the GATEA20 output.

When SAEN is set, a 1-bit register assigned to address 7FFBH controls the GATEA20 output. The register bit allocation is shown in Table 61.

Table 61 - Register Bit Allocation

D7	D6	D5	D4	D3	D2	D1	D0
x	x	x	x	x	x	x	GATEA20

Writing a "0" into location D0 causes the GATEA20 output to go low, and vice versa. When the register at location 7FFBH is read, all unused bits (D7-D1) are read back as "0".

Host control and firmware control of GATEA20 affect two separate register elements. Read back of GATEA20 through the use of 7FFBH reflects the present state of the GATEA20 output signal: if SAEN is set, the value read back corresponds to the last firmware-initiated control of GATEA20; if SAEN is reset, the value read back corresponds to the last host-initiated control of GATEA20.

Host control of the GATEA20 output is provided by the hardware interpretation of the "GATEA20 sequence" (see Table 62). The foregoing description assumes that the SAEN configuration bit is reset.

When the FDC37C957FR receives a "D1" command followed by data (via the host interface), the on-chip hardware copies the value of data bit 1 in the received data field to the GATEA20 host latch. At no time during this host-interface transaction will PCOBF or the IBF flag (bit 1) in the Status register be activated; i.e., this host control of GATEA20 is transparent to firmware, with no consequent degradation of overall system performance. Table 62 details the possible GATEA20 sequences and the FDC37C957FR responses.

On VCC1 POR, GATEA20 will be set.

An additional level of control flexibility is offered via a memory-mapped synchronous set and reset capability. Any data written to 7FFEh causes the GATEA20 host latch to be set, while any data written to 7FFFh causes it to be reset. This control mechanism should be used with caution. It was added to augment the "normal" control flow as described above-not to replace it. Since the host and the firmware have asynchronous control capability of the host latch via this mechanism, a potential conflict could arise. Therefore, after using the 7FFEh and 7FFFh addresses, firmware should read back the GATEA20 status via 7FFBh (with SAEN = 0) to confirm the actual GATEA20 response.

Table 62 - GATE20 Command/Data Sequence Examples

SA2	R/W	D[0:7]	IBF FLAG	GATEA20	COMMENTS
1	W	D1	0	Q	GATEA20 Turn-on Sequence
0	W	DF	0	1	
1	W	FF	0	Q	
1	W	D1	0	Q	GATEA20 Turn-off Sequence
0	W	DD	0	0	
1	W	FF	0	Q	
1	W	D1	0	Q	GATEA20 Turn-on Sequence(*)
1	W	D1	0	Q	
0	W	DF	0	1	
1	W	FF	0	Q	
1	W	D1	0	Q	GATEA20 Turn-off Sequence(*)
1	W	D1	0	Q	
0	W	DD	0	0	
1	W	FF	0	Q	
1	W	D1	0	Q	Invalid Sequence
1	W	XX**	1	Q	
1	W	FF	1	Q	

NOTES:

All examples assume that the SAEN configuration bit is 0.

"Q" indicates the bit remains set at the previous state.

*Not a standard sequence.

**XX = Anything except D1.

If multiple data bytes, set IBF and wait at state 0. Let the software know something unusual happened.

For Data bytes, SA2=0, only D[1] is used, all other bits are don't care.

8051 GATEA20 Control Registers

GATEA20

Host	N/A
8051	0x7FFB
Power	VCC1
Default	0x01

Refer to the GATEA20 Hardware Speed-up description for information on this register. 1 Bit (Bits 1-7=0 on read)

SETGA20L

Host	N/A
8051	0x7FFE (W)
Power	VCC1
Default	N/A

Refer to the GATEA20 Hardware Speed-up description for information on this register. A write to this register sets GateA20.

RSTGA20L

Host	N/A
8051	0x7FFF (W)
Power	VCC1
Default	N/A

Refer to the GATEA20 Hardware Speed-up description for information on this register. A write to this register re-sets GateA20.

GATEA20 Logic Diagram

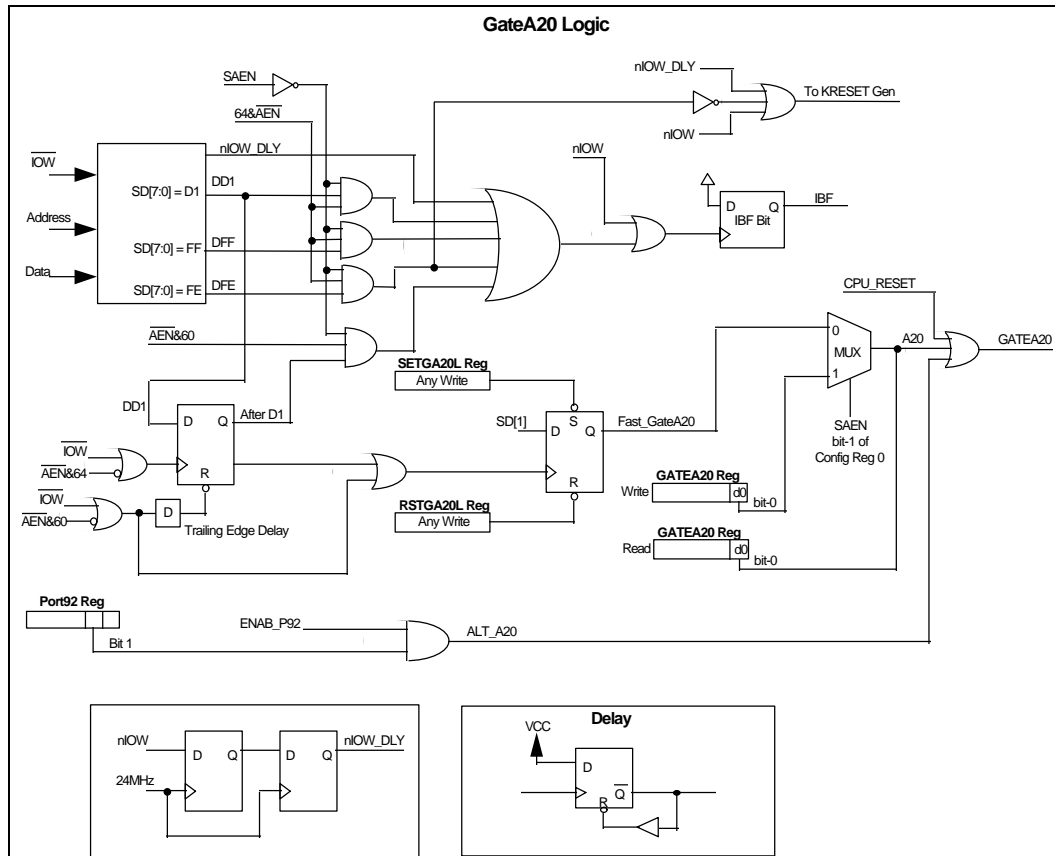


FIGURE 8 - GATEA20 IMPLEMENTATION DIAGRAM

CPU_RESET Hardware Speed-Up

The ALT_CPU_RESET bit generates, under program control, the nALT_RST signal which provides an alternate means to drive the Orion's CPU_RESET pin which in turn is used to reset the Host CPU. The nALT_RST signal is internally NANDed together with the nKBDRESET pulse from the KRESET Speed up logic to provide an alternate software means of resetting the Host CPU. Note: before another nALT_RST pulse can be generated, ALT_CPU_RESET must be cleared to '0' either by a system reset (RESET_OUT asserted) or by a write to the Port92 register with bit-0 = '0'. An nALT_RST pulse is not generated in the event that the ALT_CPU_RESET bit is cleared and set before the prior nALT_RESET pulse has completed.

CPU_RESET Logic Diagram

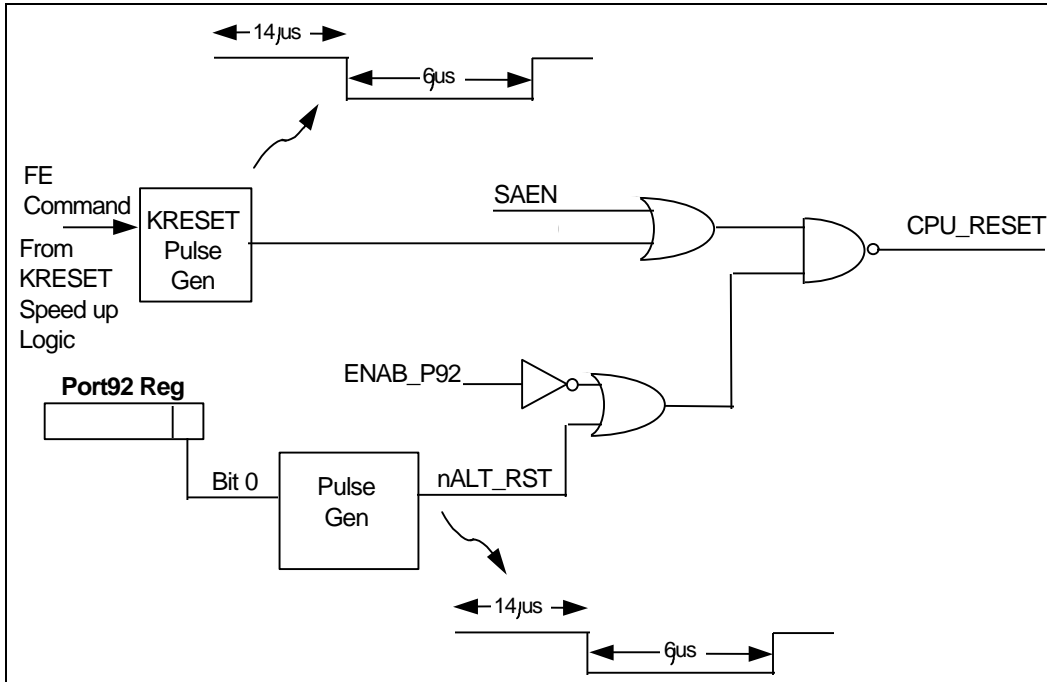


FIGURE 9 - CPU_RESET IMPLEMENTATION DIAGRAM

Port 92

The FDC37C957FR supports ISA I/O writes to port 92h as a quick alternate mechanism for generating a CPU_RESET pulse or controlling the state of GATEA20.

Port 92 Register Description

	D7-D2	D1	D0
Host R/W	R/W	R/W	R/W
Bit Def	0 Reserved	ALT_GATEA20	ALT_CPU_RESET

The Port92h register resides at ISA address 0x92 and is used to support the alternate reset (nALT_RST) and alternate GATEA20 (ALT_A20) functions. This register defaults to 0x00 on assertion of RESET_OUT or on VCC2 Power On Reset.

The Port92h Register is enabled by setting the Port 92 Enable bit (bit-0 of Logical Device 7 Configuration Register 0xF0). When Port92 is disabled, by clearing the Port 92 Enable bit, then access to this register is completely disabled (I/O writes to ISA 92h are ignored and I/O reads float the system data bus SD[7:0]).

When Port92h is enabled the bits have the following meaning:

D7-D2 : [Reserved]

Writes are ignored and reads return 0.

D1 : [ALT_GATEA20]

This bit provides an alternate means for system control of the Orion's GATEA20 pin.

= 0 : ALT_A20 is driven low.

= 1 : ALT_A20 is driven high.

When Port 92 is enabled, writing a 0 to bit-1 of the Port92 Register forces ALT_A20 low. ALT_A20 low drives GATEA20 low, if A20 from the keyboard controller is also low. When Port 92 is enabled, writing a 1 to bit-1 of the Port92 register forces ALT_A20 high. ALT_A20 high drives GATEA20 high regardless of the state of A20 from the keyboard controller.

D0: [ALT_CPU_RESET]

This bit provides an alternate means to generate a CPU_RESET pulse. The CPU_RESET output provides a means to reset the system CPU to effect a mode switch from Protected Virtual Address Mode to the Real Address Mode. This provides a faster means of reset than is provided through the 8051 Keyboard controller. Writing a '1' to this bit will cause the nALT_RST internal signal to pulse (active low) for a minimum of 6µs after a delay of 14µs. Before another nALT_RST pulse can be generated, this bit must be written back to zero.

Direct Keyboard Scan

The FDC37C957FR Scanning Keyboard Controller is designed for intelligent keyboard management in computer applications. By properly configuring GPIO4 and GPIO5 the FDC37C957FR may be programmed to directly control keyboard interface matrixes of up to 16x8.

Keyboard Scan-out register

Host	N/A
8051	0x7F04 (W)
Power	VCC1
Default	0x20

	D7-D6	D5	D4	D3	D2	D1	D0
8051 R/W	W	W	W	W	W	W	W
Bit Def	N/A	KSEN	1 = forces all KSO lines to go low	D5 and D4 must be '0' D[3:0] = 0000 KSO[0] is asserted low D[3:0] = 0001 KSO[1] is asserted low D[3:0] = 0010 KSO[2] is asserted low D[3:0] = 0011 KSO[3] is asserted low • • • D[3:0] = 1101 KSO[13] is asserted low D[3:0] = 1110 KSO[14] is asserted low D[3:0] = 1111 KSO[15] is asserted low			

KSEN 1 = disable scanning of internal keyboard (all the KSOUT lines going high)(D4-D0 are don't cares)

0 = enable scanning of internal keyboard

Note : To support KSO14 and KSO15, GPIO4 and GPIO5 must be configured properly.

Keyboard Scan-in register

Host	N/A
8051	0x7F04 (R)
Power	VCC1
Default	N/A

	D7-D0
8051 R	R
Bit description	Reflects the state of KSI [7:0]

The value of the KSI[x] pins can be read through this register. The pin values are latched during the read.

EXTERNAL KEYBOARD AND MOUSE INTERFACE

Industry-standard PC-AT-compatible keyboards employ a two-wire, bidirectional TTL interface for data transmission. Several sources also supply PS/2 mouse products that employ the same type of interface. To facilitate system expansion, the FDC37C957FR provides four pairs of signal pins that may be used to implement this interface directly for an external keyboard and mouse.

The FDC37C957FR has four high-drive, open-drain output ⁽¹⁾,bidirectional port pins that can be used for external serial interfaces, such as ISA external key-board and PS/2-type mouse interfaces. They are KBCLK, KBDAT, EMCLK, EMDAT, IMCLK, IMDAT, PS2CLK and PS2DAT.

NOTE:

1. External pull-ups are required.

(The following function is assumed to be in the PS/2 PORT logic) The serial clock lines, KBCLK, EMCLK, IMCLK and PS2CLK, are cleared to a low by VCC2 POR. This is so that any power-on self-test completion code transmitted from the serial keyboard will not be missed by the FDC37C957FR due to power-up timing mis-matches.

MailBox Register Interface

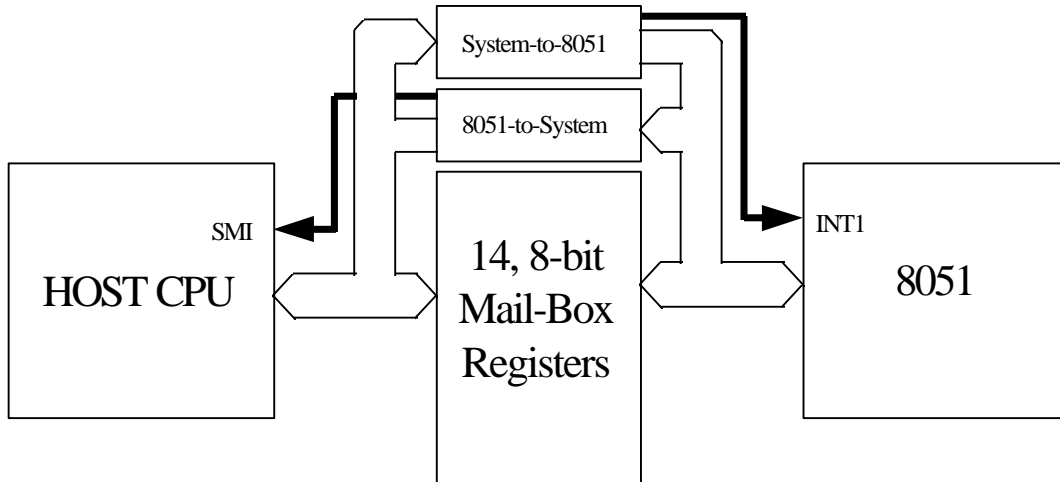
The FDC37C957FR provides a set of 16 8-bit registers, called mailbox registers, by which the Host CPU may communicate with the 8051. These registers are accessible to the Host in Configuration Mode or through the Open Mode Index and Data Registers also described in Configuration Section of this specification. At the same time these registers are accessible to the 8051 through 16 memory mapped control registers. 14 of these mailbox registers are general purpose and are typically used to pass status and parameters. The remaining two mailbox registers (mbox-0 : System-to-8051, and mbox-1 : 8051-to-System) are specifically designed to pass commands and to provide a means for each to interrupt the other assuming interrupts are unmasked. These registers are not "Dual-ported" meaning that the System BIOS and Keyboard BIOS must be designed to properly share these registers.

Note: when the Host CPU performs a write of the System-to-8051 mailbox register an 8051 INT1 will be generated and seen by the 8051 if unmasked. When the 8051 writes to the System-to-8051 mailbox register the data is blocked but the write forces the System-to-8051 register to clear to zero, providing a means for the 8051 to inform that Host that an operation has been completed.

Note: when the 8051 performs a write of the 8051-to-System mailbox register an SMI may be generated and seen by the Host if unmasked. When the Host CPU writes to the 8051-to-System mailbox register the data is blocked but the write forces the 8051-to-System register to clear to zero, providing a means for the Host to inform that 8051 that an operation has been completed.

The protocol used to pass commands back and forth through the mailbox interface is left to the system designer. SMC can provide an application example of working code in which the Host uses the Mailboxes to gain access to all of the 8051 access only registers.

MAILBOX - Block Diagram



Register Description

System-to-8051 Mailbox register 0

Host	IDX 0x82
8051	0x7F08 (RC)
Power	VCC1
Default	0x00

RC = Read only register is cleared upon a read.

If enabled, an INT1 will be generated when the System writes to this register. The Interrupt source bit will be cleared when the 8051 reads this register. After reading this register the 8051 (8051) can clear the register's content by a dummy write to this register to signify the System the register has been read.

8051-to-system Mailbox register 1

Host	IDX 0x83 (RC)
8051	0x7F09
Power	VCC1
Default	0x00

If enabled by ESMI register, an SMI will be generated when the 8051 writes to this register. The SMI interrupt will be cleared when the Host reads this register. After reading this register the system can

clear the register's content by a dummy write to this register to signify the 8051 the register has been read.

Mailbox register 2-F

Host	IDX 0x84 - 0x91
8051	0x7F0A - 0x7F17
Power	VCC1
Default	0x00

These registers are readable and write-able from both the 8051 and the system. The system and the 8051 codes must make sure these registers are not inadvertently overwritten.

MBOX SMI Interrupt

The Host can enable/disable SMI interrupts generated as a result of the 8051 writing to Mailbox Register 1. The Host can read the ESMI source register to determine if the FDC37C957FR Mailbox interface was the cause of the SMI.

ESMI mask register

Host	IDX 0x97 (R)
8051	N/A
Power	VCC2
Default	0x00

	D7-D4	D3	D2-D0
8051 R/W	N/A	N/A	N/A
System R/W	R	R/W	R
Bit Def	Reserved	1 = mask the 8051-to-system mailbox SMI	Reserved

ESMI source register

Host	IDX 0x96
8051	N/A
Power	VCC2
Default	0x00

	D7-D4	D3	D2-D0
8051 R/W	N/A	N/A	N/A
System R/W	R	R/W	R
Bit Def	Reserved	1 = 8051-to-system mailbox has been written to. This bit is cleared by a read of Mailbox Register 1	Reserved

PS/2 Interface Description

PS/2 Port Control registers

	Port 1	Port 2
Host	N/A	N/A
8051	0x7F41	0x7F49
Power	VCC2	VCC2
Default	0x00	0x00

	D7	D6	D5	D4	D3	D2	D1	D0
R/W	R	R	R	R/W	R/W	R/W	R/W	R/W
PS/2 port1	Reserved	Reserved	Reserved	EM_EN	KB_EN	Inhibit	RX_EN	TX_EN
PS/2 port2	Reserved	Reserved	Reserved	IM_EN	PS2_EN	Inhibit	RX_EN	TX_EN

Only one of bits 2-0 can be set to one.

PS/2 Port Status registers

	Port 1	Port 2
Host	N/A	N/A
8051	0x7F42 (R)	0x7F4A (R)
Power	VCC2	VCC2
Default	0x00	0x00

	D7	D6	D5	D4	D3	D2	D1	D0
R/W	R	R	R	R	R	R	R	R
PS/2 port1	Reserved	Reserved	EM_busy	KB_busy	Inhibit done	EM_drdy	KB_drdy	Error
PS/2 port2	Reserved	Reserved	IM_busy	PS2_busy	Inhibit done	IM_drdy	PS2_drdy	Error

PS/2 Port Error Status registers

	Port 1	Port 2
Host	N/A	N/A
8051	0x7F43 (R)	0x7F4B (R)
Power	VCC2	VCC2
Default	0x00	0x00

	D7-D5	D4	D3	D2	D1	D0
R/W	R	R	R	R	R	R
Bit Def	Reserved	Parity	RES_timeout	REC_timeout	RTS_timeout	XMT_timeout

PS/2 Port Transmit registers

	Port 1	Port 2
Host	N/A	N/A
8051	0x7F44 (W)	0x7F4C (W)
Power	VCC2	VCC2
Default	0x00	0x00

	D7	D6	D5	D4	D3	D2	D1	D0
R/W	W	W	W	W	W	W	W	W

PS/2 port receive registers

	Port 1	Port 2
Host	N/A	N/A
8051	0x7F45 (R)	0x7F4D (R)
Power	VCC2	VCC2
Default	0x00	0x00

	D7	D6	D5	D4	D3	D2	D1	D0
R	R	R	R	R	R	R	R	R

Access Bus Interface Description

The Access.Bus interface is fully and directly controlled by the on-chip 8051 through its set of on-chip memory mapped control registers. The Access.Bus logic is based on the PCF8584 I2C controller and is powered on the VCC1 powerplane to provide the ability to wake-up the 8051 on an Access.Bus event.

Memory Mapped Control Registers

ACCESS.BUS Control register

Host	N/A
8051	0x7F31 (W)
Power	VCC1
Default	0x00

	D7	D6	D5	D4	D3	D2	D1	D0
8051 R/W	W	W	W	W	W	W	W	W
Bit Def	PIN	ES0	Reserved	Reserved	ENI	STA	STO	ACK

Bit-7 PIN : (Pending Interrupt Not). Writing this bit to a logic '1' deasserts all status bits except for BB# (Bus Busy) - BB# is not affected. This is a self-clearing bit. Writing this bit to a logic '0' has no effect.

ACCESS.BUS Status register

Host	N/A
8051	0x7F31 (R)
Power	VCC1
Default	0x81

	D7	D6	D5	D4	D3	D2	D1	D0
8051 R/W	R	R	R	R	R	R	R	R
Bit Def	PIN	0	STS	BER	LRB	AAS	LAB	BB#

ACCESS.BUS Own Address register

Host	N/A
8051	0x7F32
Power	VCC1
Default	0x00

	D7	D6	D5	D4	D3	D2	D1	D0
8051 R/W	R/W	R/W	R/W	R/W	R/W	R/W	R/W	R/W
Bit Def	Reserved	Slave Address 6	Slave Address 5	Slave Address 4	Slave Address 3	Slave Address 2	Slave Address 1	Slave Address 0

ACCESS.BUS Data register

Host	N/A
8051	0x7F33
Power	VCC1
Default	0x00

	D7	D6	D5	D4	D3	D2	D1	D0
8051 R/W	R/W	R/W	R/W	R/W	R/W	R/W	R/W	R/W

ACCESS.BUS Clock register

Host	N/A
8051	0x7F34
Power	VCC1
Default	0x00

ACCESS.BUS Clock

	D7	D6-D2	D1	D0
8051 R/W	R/W	R	R/W	R/W
	AB_RST *	Reserved	00 - clock off (default) 01 - 32Khz Clock 10 - 8051 clock 11 - 24Mhz clock	

(*) Access Bus Reset, not self-clearing, must be written high and then written low.

Bit-7 AB_RST: (Access.bus Reset) setting this bit re-initializes all logic and registers in the Access.bus block.

Table 63 - Access.Bus Clock Rates

Access Bus Clock	Clock Rate	Data Rate	Nominal High	Nominal Low	Minimum High
D[1:0]					
00	Off				
10	Ring Osc	$f/240$	$96/f$	$144/f$	$18/f$
	Ring Osc=4Mhz	16.7Khz	24 μ s	36 μ s	4.5 μ s
	Ring Osc=6Mhz	25Khz	16 μ s	24 μ s	3 μ s
	Ring Osc=8Mhz	33.3Khz	12 μ s	18 μ s	2.25 μ s
10	12Mhz	50Khz	8 μ s	12 μ s	4 μ s
10	14.3... Mhz	60Khz	6.7 μ s	10.1 μ s	4 μ s
10	16Mhz	67Khz	6 μ s	9 μ s	4 μ s
11	24 Mhz	100Khz	4 μ s	6 μ s	4 μ s

f = frequency of the ring oscillator.

LED Controls

The FDC37C957FR has three independent LED outputs that are programmable under 8051 control.

LED register

Host	N/A
8051	0x7F21
Power	VCC1
Default	0x00 on VCC2 POR

	D7	D6	D5	D4	D3	D2	D1	D0
Default	0	0	0	N/A	0	0	0	0
8051 access	R/W	R/W	R/W	R	R/W	R/W	R/W	R/W
Bit def	FDD Led Enable	FDD_LED1	FDD_LED0	status of pin MODE	PWR_LED1	PWR_LED0	BAT_LED1	BAT_LED0
	Note 1	00 FDD LED is off 01 LED flash; P=1.0 sec 10 LED flash; P=0.5 sec 11 LED is fully on			00 PWR LED is off 01 LED flash; P=3.0 sec 10 LED flash; P=1.5 sec 11 LED is fully on		00 Battery LED is off 01 LED flash; P=1.0 sec 10 LED flash; P=0.5 sec 11 LED is fully on	

Note 1: D7 =1; FDD_LED Pin is controlled by D6,D5
D7=0; FDD_LED is controlled by the Motor Enable 0 pin from the FDC. When Motor Enable 0 pin is asserted the LED is on.

LED on time is T=125msec; "0" is on, "1" is off. Period "P" is indicated above.

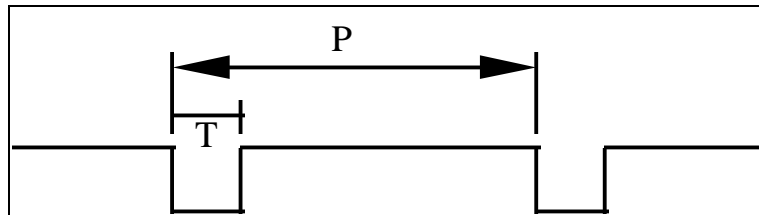


FIGURE 10 - LED OUTPUT

Pulse Width Modulators

The FDC37C957FR has two independent Pulse Width Modulator outputs that are programmable under 8051 control.

PWM0 register

Host	IDX 0x92
8051	0x7F25
Power	VCC1
Default	0x00

D7	D6	D5	D4	D3	D2	D1	D0
0	=	These 7 bits control the duty cycle of pin PWM0 (FAN_SPD)					
select		0000000 =pin is low					
2 Mhz		0111111 = 50% duty cycle (32us on/ 32 us off if 2 Mhz is used)					
1	=	1111111 = pin is high for 127, low for 1					
select							
3 MHz							

PWM1 register

Host	IDX 0x93
8051	0x7F26
Power	VCC1
Default	0x00

D7	D6	D5	D4	D3	D2	D1	D0
0	=	These 7 bits control the duty cycle of pin PWM1					
select		0000000 =pin is low					
2 Mhz		0111111 = 50% duty cycle (32us on/ 32 us off if 2 Mhz is used)					
1	=	1111111 =pin is high for 127, low for 1					
select							
3 MHz							

Real Time Clock CMOS Access

RTCCNTRL (RTC Control) Register

Host	N/A
8051	0x7FF5
Power	VCC1
Default	0x80

This chip implements an interface that allows the 8051 to read/write the RTC and CMOS registers. When RESET_OUT is active or when VCC2 is off, the 8051 can read and write the CMOS.

D7	D6	D5	D4	D3	D2	D1	D0
nSH	0	0	0	KREQH	HREQH	KREQL	HREQL

- nSH** nSmart Host - This bit is controlled by the 8051. When set to a '1', the host is not a smart host and does not recognize the sharing protocol. When set to a '0', the host is smart and can recognize the sharing protocol. When Set to One, this bit will clear HREQH and HREQL; then clearing this bit to zero will allow the 8051 to regain access to the CMOS RAM.
- KREQL** Keyboard Request Low- This bit can be set by the 8051 when HREQL IS '0'. If the request is not granted, this bit is read back as a zero and the request must be tried again. Note: After regaining control of the CMOS, the 8051 must re-write the RTC Address register before accessing the RTC Data Register. This bit selects access to the CMOS RAM Addresses 0-7F.
- HREQL** Host Request Low- This bit can be set by the host when KREQL IS '0'. If the request is not granted, this bit is read back as a zero and the request must be tried again.
- KREQH** Keyboard Request High- This bit can be set by the 8051 when HREQH IS '0'. If the request is not granted, this bit is read back as a zero and the request must be tried again. Note: After regaining control of the CMOS, the 8051 must re-write the RTC Address register before accessing the RTC Data Register. This bit selects access to the CMOS RAM Addresses 80-FF.
- HREQH** Host Request High- This bit can be set by the host when KREQH IS '0'. If the request is not granted, this bit is read back as a zero and the request must be tried again.

nSH	KREQx	HREQx	Bus Access
1	x	x	Host
0	0	0	None
0	1	0	8051
0	0	1	Host

RTC Address Register (High and Low)

Host	N/A
8051	0x7FF8 & 0x7FF6
Power	VCC1
Default	0x00 & 0x00

The low register is used to provide the address for the first bank of 128 CMOS RAM registers and the high register is used to provide the address for the 2nd bank of 128 CMOS RAM registers for a total of 255 registers. This register is used to select the CMOS address when KREQ=1. CMOS register 7F is a control registers that reflects the RTC Control register and can not be used as general purpose storage. Bit D7 is not used for the address decode and is a don't care bit.

RTC Data Register (High and Low)

Host	N/A
8051	0x7FF9 & 0x7FF7
Power	VCC1
Default	0x00 & 0x00

The low register is used to access CMOS RAM the first bank of 128 bytes the high register is used to access the 2nd bank of 128 registers . This register is used to read or write the selected CMOS register when KREQ=1.

8051 Controlled Parallel Port

To facilitate activities such as reprogramming the Flash Memory without opening the unit, the 8051 is able to take control of the parallel port interface. The 8051 has three memory mapped registers (Status, Control, and Data) with the exception that the 8051's Parallel Port Status register contains a write bit (bit-0) that allows the 8051 to disconnect the interface from the Host and take control. Refer to the Parallel Port section of this specification for more information.

Block Diagram

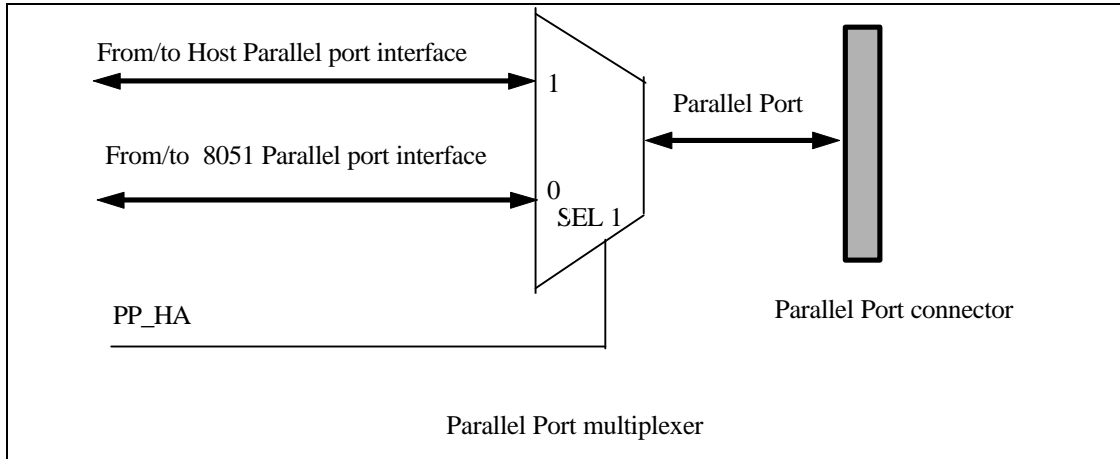


FIGURE 11 - PARALLEL PORT MULTIPLEXOR

Operation Registers

The 8051 uses the following three memory mapped register to gain access to and control the parallel port interface.

PAR PORT STATUS Register

Host	N/A
8051	0x7F3A
Power	VCC2
Default	0x00

	D7	D6	D5	D4	D3	D2	D1	D0
8051 R/W	R	R	R	R	R	R	R	R/W
System R/W	N/A	N/A	N/A	N/A	N/A	N/A	N/A	N/A
Bit Def	nBUSY	nACK	PE	SLCT	nERR	0	0	PP_HA 1 = Host (or FDC) controls the Parallel Port Interface. 0 = 8051 controls the Parallel Port Interface(default).

If 8051 access to the parallel port pins is enabled: The level of the parallel port status pins can be read by reading this register.

- Bit D7 (nBUSY) : reflects the inverse state of pin BUSY
- Bit D6 (nACK) : reflects the current state of pin nACK
- Bit D5 (PE) : reflects the current state of pin PE
- Bit D4 (SLCT) : represents the current state of pin SLCT
- Bit D3 (nERR) : reflects the current state of pin nERR

PAR PORT CONTROL Register

Host	N/A
8051	0x7F3B
Power	VCC2
Default	0x00

	D7	D6	D5	D4	D3	D2	D1	D0
8051 R/W	R/W	R/W	R/W	R/W	R/W	R/W	R/W	R/W
System R/W	N/A	N/A	N/A	N/A	N/A	N/A	N/A	N/A
Bit Def	0	0	PCD	0	SLCTIN	nINIT	AUTOFD	STROBE

If 8051 access to the parallel port pins is enabled:

The value of STROBE, AUTOFD and SLCTIN are inverted and output onto the parallel port control pins. The value of nINIT is output onto the parallel port control pins. If PCD (Parallel Control Direction) = 0, the data bus is output. If PCD = 1 the parallel port data bus is floating to allow read data in.

PAR PORT DATA Register

Host	N/A
8051	0x7F3C
Power	VCC2
Default	0x00

	D7	D6	D5	D4	D3	D2	D1	D0
8051 R/W	R/W	R/W	R/W	R/W	R/W	R/W	R/W	R/W
System R/W	N/A	N/A	N/A	N/A	N/A	N/A	N/A	N/A
Bit Def	PD7	PD6	PD5	PD4	PD3	PD2	PD1	PD0

If 8051 access to the parallel port pins is enabled: When read, this register reads the logic levels on the parallel port pins.

8051 Controlled IR Port

It is possible to give direct control of the IRRX and IRTX pins to the 8051 by setting bit-2 of the Multiplexing_1 Register. The 8051 communicates to the Pins through its Memory Mapped IR Data Register shown here.

IR Data register

Host	IDX 0x98
8051	N/A
Power	VCC2
Default	0x00

	D7-D2	D1	D0
8051 R/W	N/A	N/A	N/A
System R/W	R/W	R	R/W
Bit Def	Reserved	IR_REC	IR_TX

Bit 1 and bit 0 are don't care if bit 2 of the Multiplexing_1 Register is reset. (These bits are multiplexed onto the IRTX and IRRX pins when bit-2 of the Multiplexing register is set).

General Purpose I/O (GPIO)

Functional Block Diagrams

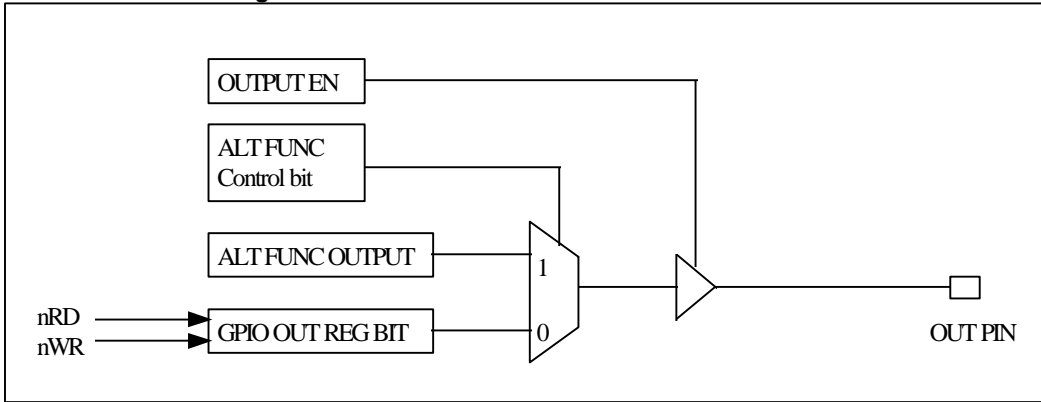


FIGURE 12 - OUTPUT PIN TYPE

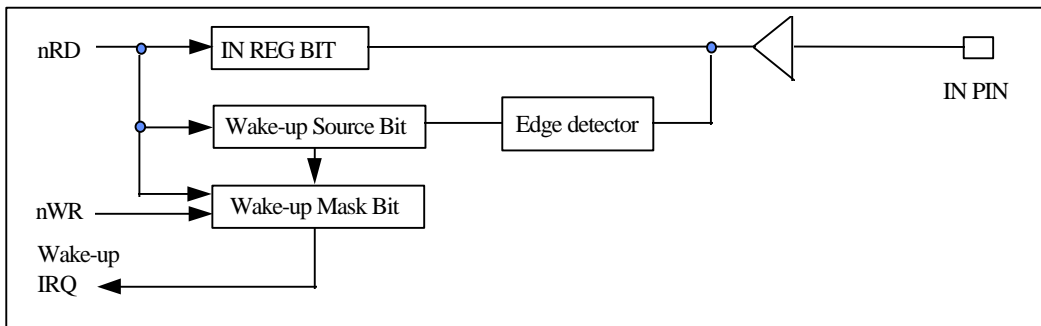


FIGURE 13 - INPUT PIN TYPE

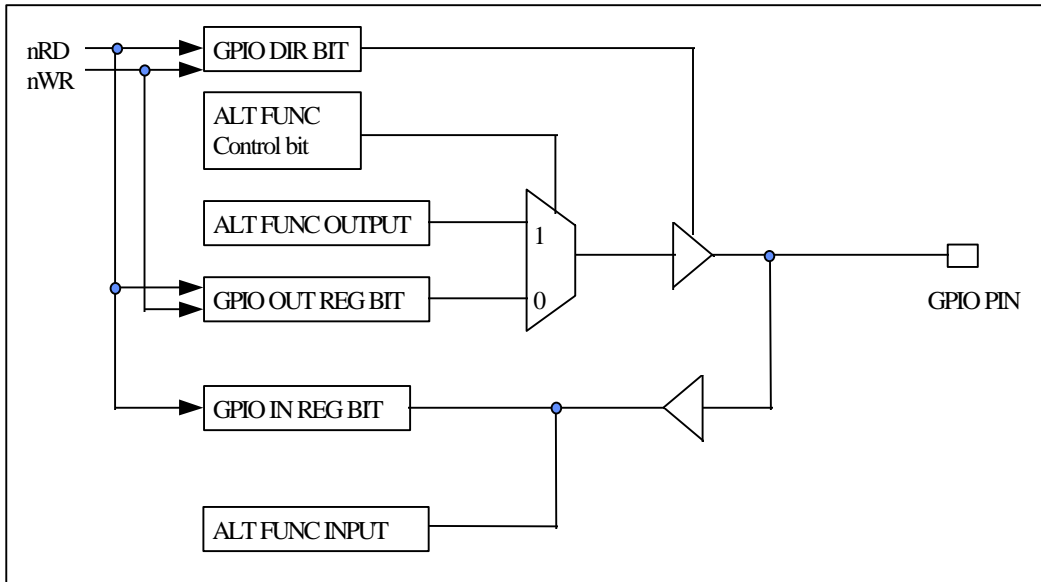


FIGURE 14 - GPIO PIN TYPE

Memory Mapped Control Registers

GPIO Direction register A

Host	N/A
8051	0x7F18
Power	VCC1
Default	0x00

	D7	D6	D5	D4	D3	D2	D1	D0
Bit	GPIO7	GPIO6	GPIO5	GPIO4	GPIO3	GPIO2	GPIO1	GPIO0
Def	1=output 0=input	1=out- put 0=input	1=out- put 0=input	1=out- put 0=input	1=out- put 0=input	1=out- put 0=input	1=out- put 0=input	1=out- put 0=input

GPIO Input register A

Host	N/A
8051	0x7F1A (R)
Power	VCC1
Default	N/A

	D7	D6	D5	D4	D3	D2	D1	D0
Bit description	status of pin GPIO7	status of pin GPIO6	status of pin GPIO5	status of pin GPIO4	status of pin GPIO3	status of pin GPIO2	status of pin GPIO1	status of pin GPIO0

GPIO Output register A

Host	N/A
8051	0x7F19
Power	VCC1
Default	0x00

	D7	D6	D5	D4	D3	D2	D1	D0
Bit description	GPIO7	GPIO6	GPIO5	GPIO4	GPIO3	GPIO2	GPIO1	GPIO0

GPIO Direction register B

Host	N/A
8051	0x7F1B
Power	VCC1
Default	0x00

	D7	D6	D5	D4	D3	D2	D1	D0
Bit Def	GPIO15 1=out-put 0=input	GPIO14 1=out-put 0=input	GPIO13 1=out-put 0=input	GPIO12 1=out-put 0=input	GPIO11 1=out-put 0=input	GPIO10 1=out-put 0=input	GPIO9 1=out-put 0=input	GPIO8 1=out-put 0=input

GPIO Output register B

Host	N/A
8051	0x7F1C
Power	VCC1
Default	0x00

	D7	D6	D5	D4	D3	D2	D1	D0
Bit Def	GPIO 15	GPIO 14	GPIO 13	GPIO 12	GPIO 11	GPIO 10	GPIO 9	GPIO 8

GPIO Input register B

Host	N/A
8051	0x7F1D (R)
Power	VCC1
Default	N/A

	D7	D6	D5	D4	D3	D2	D1	D0
Bit Def	status of pin GPIO15	status of pin GPIO14	status of pin GPIO13	status of pin GPIO12	status of pin GPIO11	status of pin GPIO10	status of pin GPIO9	status of pin GPIO8

GPIO Direction register C

Host	N/A
8051	0x7F1E
Power	VCC1
Default	0x00 on VCC2 POR

	D7	D6	D5	D4	D3	D2	D1	D0
Bit Des.	0	0	GPIO21 1=output 0=input	GPIO20 1=output 0=input	GPIO19 1=output 0=input	GPIO18 1=output 0=input	GPIO17 1=output 0=input	GPIO16 1=output 0=input

GPIO Output register C

Host	N/A
8051	0x7F1F
Power	VCC1
Default	0x00 on VCC2 POR

	D7	D6	D5	D4	D3	D2	D1	D0
Bit Def.	0	0	GPIO21	GPIO20	GPIO19	GPIO18	GPIO17	GPIO16

GPIO Input register C

Host	N/A
8051	0x7F20 (R)
Power	VCC1
Default	N/A

	D7	D6	D5	D4	D3	D2	D1	D0
Bit def	0	0	status of pin GPIO21	status of pin GPIO20	status of pin GPIO19	status of pin GPIO18	status of pin GPIO17	status of pin GPIO16

OUT register D

Host	N/A
8051	0x7F22
Power	VCC1
Default	0xFF on VCC2 POR

	D7	D6	D5	D4	D3	D2	D1	D0
Bit Def	OUT7	OUT6	OUT5	OUT4	OUT3	OUT2	OUT1	OUT0

OUT register E

Host	N/A
8051	0x7F23
Power	VCC1
Default	0x0F on VCC2 POR

	D7	D6	D5	D4	D3	D2	D1	D0
Bit Def	0	0	0	0	OUT11	OUT10	OUT9	OUT8

IN register F

Host	N/A
8051	0x7F24 (R)
Power	VCC1
Default	N/A

	D7	D6	D5	D4	D3	D2	D1	D0
Bit Def	status of pin IN7	status of pin IN6	status of pin IN5	status of pin IN4	status of pin IN3	status of pin IN2	status of pin IN1	status of pin IN0

Multiplexed Pins

Many of the FDC37C957FR's GPIO pins provide specific alternate functions which may be enabled by the 8051 firmware based on the design of the system that the part will be used in.

List

Refer to the Alternate Function Pin List Section in this specification for a complete list of all of the FDC37C957FR multifunction pins.

Control Registers

The 8051 firmware controls the multiplexing functions for each of the Multiplexed pins on the FDC37C957FR through the registers described in this section.

Multiplexing_1 register:

Host	N/A
8051	0x7F3D
Power	VCC1
Default	0x00

	D7	D6	D5	D4	D3	D2	D1	D0
8051 R/W	R/W	R/W	R/W	R/W	R/W	R/W	R/W	R/W
Bit Def	MISC7	MISC6	MISC5	MISC4	MISC3	MISC2	MISC1	MISC0

Pin	MISC0 = 0 (default)	MISC0 = 1
IRQ6(FDC)/OUT0	OUT0	IRQ6(FDC)
nIRQ8/OUT1	OUT1	nIRQ8
IRQ7(PP)/OUT2	OUT2	IRQ7(PP)
IRQ12(Mouse)/OUT3	OUT3	IRQ12(Mouse)
IRQ1(KBD)/OUT4	OUT4	IRQ1(KBD)
nSMI/OUT7	OUT7	nSMI
SIRQ/IRQ3(UA1)	SIRQ	IRQ3(UA1)

MISC[3,1]	Pin GPIO[20] Pin 52	Pin GPIO[21] Pin 53
[0,0] (default)	GPIO[20] + 8051_RX *	GPIIO[21]
[0,1]	PS2CLK	PS2DAT
[1,0]	GPIO[20] + 8051_RX *	8051_TX **
[1,1]	PS2CLK	PS2DAT

* GPIO20_DIR bit should be set to 0 when operating as an 8051_RX pin.

** GPIO21_DIR bit must be set to 1 when operating as an 8051_TX pin.

The PS/2 pins on GPIO20 and GPIO21 are disabled (internally pulled high) when the non PS/2 alternate functions are selected. The PS/2 inputs under this condition are seen as a high to the PS/2 Device Interface logic.

Whenever a PS/2 channel is not enabled, the input signals to that channel must be high. The FDC37C957FR provides this through the use of weak pull-ups since the EM and KB channels share a common receive path and the IM and PS2 channels also share a common receive path.

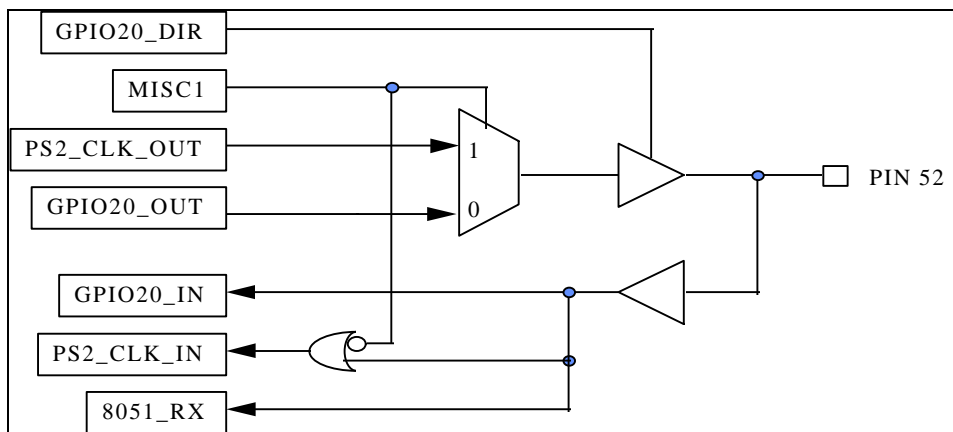


FIGURE 15 - GPIO[20] ALTERNATE FUNCTION STRUCTURE

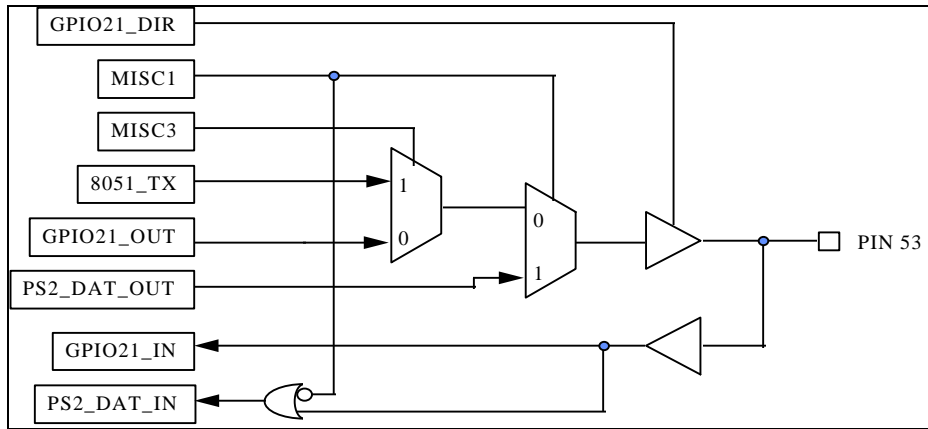


FIGURE 16 - GPIO21 ALTERNATE FUNCTION STRUCTURE

Pin	MISC2 = 0 (default)	MISC2 = 1
IRTX	from IrCC Block	from IR Data Register
IRRX	from IrCC Block	from IR Data Register

Pin	MISC4 = 0 (default)	MISC4 = 1
PWM0/OUT10	OUT10	PWM0
PWM1/OUT11	OUT11	PWM1

Pin	MISC5 = 0 (default)	MISC5 = 1
OUT5	OUT5	nDS1
OUT6	OUT6	nMTR1

Pin	MISC6 = 0 (default)	MISC6 = 1
GPIO[17]	GPIO[17]	GateA20

Pin	MISC7 = 0 (default)	MISC7 = 1
GPIO[8]	GPIO[8]	IrCC Block COM-RX Port
GPIO[9]	GPIO[9]	IrCC Block COM-TX Port

Multiplexing_2 register:

Host	N/A
8051	0x7F40
Power	VCC1
Default	0x00

	D7	D6	D5	D4	D3	D2	D1	D0
8051 R/W	R/W	R/W	R/W	R/W	R/W	R/W	R/W	R/W
Bit Def	MISC 16	MISC 15	MISC 14	MISC 13	MISC 12	MISC 11	MISC 10	MISC 9

MISC9	Pin GPIO[4]	GPIO[5]
0 (default)	GPIO[4]	GPIO[5]
1	KSO14	KSO15

MISC17	MISC10	MISC6	Pin OUT[8] (Pin 202)	Pin KSO12 (Pin 23)
0	0	0	OUT8	KSO12
0	0	1	CPU_RESET	KSO12
0	1	X	DRQ2	KSO12
1	0	0	OUT8	OUT8
1	0	1	CPU_RESET	CPU_RESET
1	1	0	DRQ2	OUT8
1	1	1	DRQ2	CPU_RESET

With this definition, only the pair [OUT8 & CPU_RESET] can not simultaneously exist on pins 202 and 23.

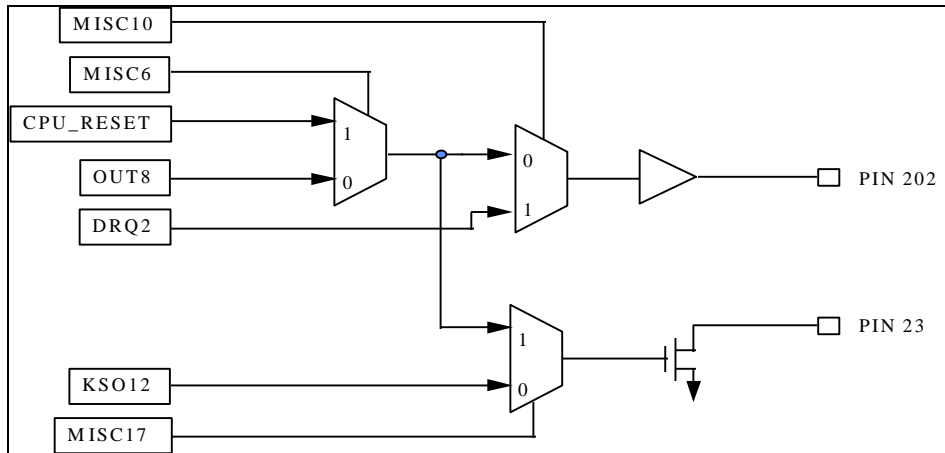


FIGURE 17 - PINS 202 AND 23 ALTERNATE FUNCTION OPERATION

MISC17	Pin GPIO18 (Pin 207)	Pin KSO13 (Pin 22)
0	GPIO18 + nDACK2 (1)	KSO13
1	nDACK2	GPIO18

note 1: nDACK2 can be received on pin 207 when MISC17=0 by setting GPIO18's DIR bit to 0.

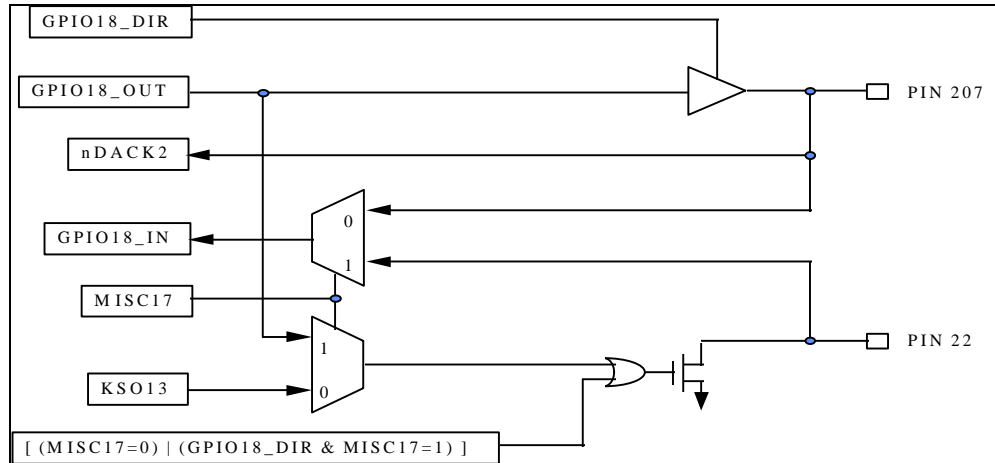


FIGURE 18 - PIN 207 AND 22 ALTERNATE FUNCTION OPERATION

MISC11	Pin OUT[9]	Pin GPIO[19]
0 (default)	OUT[9]	GPIO[19]
1	DRQ3	nDACK3

Pin	MISC12 = 0 (default)	MISC12 = 1
GPIO[11]	GPIO[11]	nCTS2
GPIO[12]	GPIO[12]	nDTR2
GPIO[13]	GPIO[13]	nDSR2
GPIO[14]	GPIO[14]	nDCD2
GPIO[15]	GPIO[15]	nRI2

MISC[14:13] = 0 (default)	Pin GPIO[6]
[0:0] (default)	GPIO[6]
[0:1]	IR_MODE (IrCC GP Data) output
[1:0]	FRX input
[1:1]	Reserved

MISC[16:15] = 0 (default)	Pin GPIO[10]
[0:0] (default)	GPIO[10]
[0:1]	IR_MODE (IrCC GP Data) output
[1:0]	FRX input
[1:1]	nRTS2

Multiplexing_3 register:

Host	N/A
8051	0x7F30
Power	VCC1
Default	0x00

	D7 - D2	D1	D0
8051 R/W	R	R/W	R/W
Bit Def	Reserved 0	MISC17	MISC8

Note : Originally Bit-7 in the Output Enable Register was defined as MISC8, but this bit is now Reserved.

MISC8	Pin GPIO[16]
0 (default)	GPIO[16]
1	MID1

MISC17 is described in the Multiplexing_2 register section.

REAL TIME CLOCK

GENERAL DESCRIPTION

The RTC SUPERCELL is a complete time of day clock with alarm and one hundred year calendar, a programmable periodic interrupt, and a programmable square wave generator.

FEATURES

- Counts seconds, minutes, and hours of the day.
- Counts days of the week, date, month and year.
- Binary or BCD representation of time, calendar and alarm.
- 24 hour daily alarm.

PORT DEFINITION AND DESCRIPTION

OSC	Clock Input Pin. Maximum clock frequency is 32.768 KHz.
DB[0:7]IN DB[0:7]OUT	CPU DATA BUS, All communication of data and control between the RTC and the CPU are carried out over this data bus.
A[0:7]	The 8 address lines which select which internal register is to be accessed by any CPU operation.
nCS	Low active block select. This input is low during any CPU cycle in which the RTC is to be accessed. (Active for addresses 70H, 71H and 74H, 76H)
nIOR	CPU output data strobe. This port is a low whenever the CPU reads data from an internal RTC register. The nIOR low condition causes the contents of the addressed register to output its data onto the Data Bus.
nIOW	CPU write data strobe. The low to high transition of this port latches the contents of the data bus into the selected RTC register.

ISA I/O Interface

Table 64 - RTC ISA I/O Address Map

ISA Address	Function (Note 1)
Base (R/W)	Address Register (70H/74H)
Base+1 (R/W)	Data Register (71H/76H)

All addresses are qualified by AEN.

Note 1: The RTC can be enabled or disabled through the configuration registers.

RTC Address Register:

Writing to this register, sets the CMOS address that will be read or written. Port 70H (with RTC Data register at 71H) is to address the first 128 CMOS bytes and port 74H (with RTC Data register at 76H) is for the next 128 CMOS bytes. Bit D7 is not used for the CMOS RAM Address decoding. (All 8 bits are read/write)

RTC Data Register:

A read of this register will read the contents of the selected CMOS register. A write to this register will write to the selected CMOS register. (71H or 76H)

VCC1 POR

The VCC1 POR pin does not affect the clock calendar, or RAM functions. When VCC1 POR is active the following occurs:

1. Periodic Interrupt Enable (PIE) is cleared to zero.
2. Alarm Interrupt Enable (AIE) bit is cleared to zero.
3. Update ended Interrupt Enable (UIE) bit is cleared to zero.
4. Update ended Interrupt Flag (UF) bit is cleared to zero.
5. Interrupt Request status Flag (IRQF) bit is cleared to zero.
6. Periodic Interrupt Flag (PIF) is cleared to zero.
7. The RTC and CMOS registers are not accessible.
8. Alarm Interrupt Flag (AF) is cleared to zero.
9. nIRQ pin is in high impedance state.

HOSTD	The HOST Disable pin, when active, prevents host access to the clock calendar, or RAM functions. (Refer to Power Management)
8051D	The 8051 Disable pin, when active, prevents 8051 access to the clock calendar, or RAM functions. (Refer to Power Management)
PS	The power-sense pin is used in the control of the Valid RAM and Time (VRT) bit in Register D. When the PS pin is low, the VRT bit is cleared to zero. As power is applied, the VRT bit remains low indicating that the contents of the RAM, Time registers and Calendar are not guaranteed. PS must go high after powerup to allow the VRT bit to be set by a read of Register D. This is an internal signal used to detect if both the main power and the battery power were both low at the same time. This is the only case where the contents of the RAM, Time registers and Calendar are not valid.
nIRQ	The nIRQ pin is an active low output. The nIRQ output remains low as long as the status bit causing the interrupt is present and the corresponding interrupt-enable bit is set. Reading register C or the VCC1 POR pin clears the nIRQ pin.

INTERNAL REGISTERS:

Table 65 shows the address map of the RTC, ten bytes of time, calendar, and alarm data, four control and status bytes, 241 bytes of "CMOS" registers and one RTC control register.

Table 65 - Address Map

Address	Register Type	Register Function
0	R/W	Register 0: Seconds
1	R/W	Register 1: Seconds Alarm
2	R/W	Register 2: Minutes
3	R/W	Register 3: Minutes Alarm
4	R/W	Register 4: Hours
5	R/W	Register 5: Hours Alarm
6	R/W	Register 6: Day of Week
7	R/W	Register 7: Date of Month
8	R/W	Register 8: Month
9	R/W	Register 9: Year
A	R/W	Register A:
B	R/W	Register B: (Bit 0 is Read Only)
C	R	Register C:
D	R	Register D:
E-7F	R/W	General purpose
(B2) 0-7E	R/W	Bank 2: General purpose
(B2) FF	R/W	Bank 2: Shared RTC Control

All 14 bytes are directly writable and readable by the host with the following exceptions:

- a. Registers C and D are read only
- b. Bit 7 of Register A is read only
- c. Bits 0 of Register B is read only
- d. Bits 7-1 of the Shared RTC Control register are read only.

Time Calendar and Alarm

The processor program obtains time and calendar information by reading the appropriate locations. The program may initialize the time, calendar and alarm by writing to these locations. The contents of the 10 time, calendar and alarm bytes can be in binary or BCD as shown in Table 66.

Before initializing the internal registers, the SET bit in Register B should be set to a "1" to prevent time/calendar updates from occurring. The program initializes the 10 locations in the binary or BCD format as defined by the DM bit in Register B. The SET bit may then be cleared to allow updates.

The 12/24 bit in Register B establishes whether the hour locations represent 1 to 12 or 0 to 23. The 12/24 bit cannot be changed without reinitializing the hour locations. When the 12 hour format is selected, the high order bit of the hours byte represents PM when it is a "1".

Once per second, the 10 time, calendar and alarm bytes are switched to the update logic to be advanced by one second and to check for an alarm condition. If any of the 10 bytes are read at this time, the data outputs are undefined. The update cycle time is shown in **Table 67**. The update logic contains circuitry for automatic end-of-month recognition as well as automatic leap year compensation.

The three alarm bytes may be used in two ways. First, when the program inserts an alarm time in the appropriate hours, minutes and seconds alarm locations, the alarm interrupt is initiated at the specified time each day if the alarm enable bit is high. The second usage is to insert a "don't care" state in one or more of three alarm bytes. The "don't care" code is any hexadecimal byte from C0 to FF inclusive. That is the two most significant bits of each byte, when set to "1" create a "don't care" situation. An alarm interrupt each hour is created with a "don't care" code in the hours alarm location. Similarly, an alarm is generated every minute with "don't care" codes in the hours and minutes alarm bytes. The "don't care" codes in all three alarm bytes create an interrupt every second.

Table 66 - RTC Register Valid Range

Add	Register Function	BCD Range	Binary Range
0	Register 0: Seconds	00-59	00-3B
1	Register 1: Seconds Alarm	00-59	00-3B
2	Register 2: Minutes	00-59	00-3B
3	Register 3: Minutes Alarm	00-59	00-3B
4	Register 4: Hours	01-12 am	01-0C
	(12 hour mode)	81-92 pm	81-8C
	(24 hour mode)	00-23	00-17
5	Register 5: Hours Alarm	01-12 am	01-0C
	(12 hour mode)	81-92 pm	81-8C
	(24 hour mode)	00-23	00-17
6	Register 6: Day of Week	01-07	01-07
7	Register 7: Day of Month	01-31	01-1F
8	Register 8: Month	01-12	01-0C
9	Register 9: Year	00-99	00-63

Update Cycle

An update cycle is executed once per second if the SET bit in Register B is clear and the DV0-DV2 divider is not clear. The SET bit in the "1" state permits the program to initialize the time and calendar bytes by stopping an existing update and preventing a new one from occurring.

The primary function of the update cycle is to increment the seconds byte, check for overflow, increment the minutes byte when appropriate and so forth through to the year of the century byte. The update cycle also compares each alarm byte with the corresponding time byte and issues an alarm if a match or if a "don't care" code is present.

The length of an update cycle is shown in **Table 67**. During the update cycle the time, calendar and alarm bytes are not accessible by the processor program. If the processor reads these locations before the update cycle is complete the output will be undefined. The UIP (update in progress) status bit is set during the interval. When the UIP bit goes high, the update cycle will begin 244 us later. Therefore, if a low is read on the UIP bit the user has at least 244us before time/calendar data will be changed.

Table 67 - RTC Update Cycle Timing

Input Clock Frequency	UIP Bit	Update Cycle Time	Minimum Time before start of Update Cycle
32.768 kHz	1	1948 us	-
32.768 kHz	0	-	244 us

Control and Status Registers

The RTC has four registers which are accessible to the processor program at all times, even during the update cycle.

Register A (AH)

b7	b6	b5	b4	b3	b2	b1	b0
UIP	DV2	DV1	DV0	RS3	RS2	RS1	RS0

UIP The update in progress bit is a status flag that may be monitored by the program. When UIP is a "1" the update cycle is in progress or will soon begin. When UIP is a "0" the update cycle is not in progress and will not be for at least 244us. The time, calendar, and alarm information is fully available to the program when the UIP bit is zero. The UIP bit is a read only bit and is not affected by VCC1 POR. Writing the SET bit in Register B to a "1" inhibits any update cycle and then clears the UIP status bit.

DV2-0 Three bits are used to permit the program to select various conditions of the 22 stage divider chain. Table 68 shows the allowable combinations. The divider selection bits are also used to reset the divider chain. When the time/calendar is first initialized, the program may start the divider chain at the precise time stored in the registers. When the divider reset is removed the first update begins one-half second later. These three read/write bits are not affected by VCC1 POR.

Table 68 - RTC Divider Selection Bits

Oscillator Frequency	Reg. A Bits			Mode
	DV2	DV1	DV0	
32.768 KHz	0	0	0	Oscillator Disabled
32.768 KHz	0	0	1	Oscillator Disabled
32.768 KHz	0	1	0	Normal Operate
32.768 KHz	0	1	1	Test
32.768 KHz	1	0	X	Test
	1	1	X	Reset Divider

RS3-0 The four rate selection bits select one of 15 taps on the divider chain or disable the divider output. The selected tap determines rate or frequency of the periodic interrupt. The program may enable or disable the interrupt with the PIE bit in Register B. Table 69 lists the periodic interrupt rates and equivalent output frequencies that may be chosen with the RS0 - RS3 bits. These four bits are read/write bits which are not affected by VCC1 POR.

Table 69 - RTC Periodic Interrupt Rates

Rate Select				32.768 KHz Time Base	
RS3	RS2	RS1	RS0	Period Rate of Interrupt	Frequency of Interrupt
0	0	0	0	0.0	
0	0	0	1	3.90625 ms	256 Hz
0	0	1	0	7.8125 ms	128 Hz
0	0	1	1	122.070 us	8.192 KHz
0	1	0	0	244.141 us	4.096 KHz
0	1	0	1	488.281 us	2.048 KHz
0	1	1	0	976.562 us	1.024 KHz
0	1	1	1	1.953125 ms	512 Hz
1	0	0	0	3.90625 ms	256 Hz
1	0	0	1	7.8125 ms	128 Hz
1	0	1	0	15.625 ms	64 Hz
1	0	1	1	31.25 ms	32 Hz
1	1	0	0	62.5 ms	16 Hz
1	1	0	1	125 ms	8 Hz
1	1	1	0	250 ms	4 Hz
1	1	1	1	500 ms	2 Hz

REGISTER B (BH)

b7	b6	b5	b4	b3	b2	b1	b0
SET	PIE	AIE	UIE	RES	DM	24/12	DSE

- SET** When the SET bit is a "0", the update functions normally by advancing the counts once-per-second. When the SET bit is a "1", an update cycle in progress is aborted and the program may initialize the time and calendar bytes without an update occurring in the middle of initialization. SET is a read/write bit which is not modified by VCC1 POR or any internal functions.
- PIE** The periodic interrupt enable bit is a read/write bit which allows the periodic-interrupt flag (PF) bit in Register C to cause the IRQB port to be driven low. The program writes a "1" to the PIE bit in order to receive periodic interrupts at the rate specified by the RS3 - RS0 bits in Register A. A zero in PIE blocks IRQB from being initiated by a periodic interrupt, but the periodic flag (PF) is still set at the periodic rate. PIE is not modified by any internal function, but is cleared to "0" by a VCC1 POR.
- AIE** The alarm interrupt enable bit is a read/write bit, which when set to a "1" permits the alarm flag (AF) bit in Register C to assert IRQB. An alarm interrupt occurs for each second that the three time bytes equal the three alarm bytes (including a "don't care"

alarm code of binary 11XXXXXX). When the AIE bit is a "0", the AF bit does not initiate an IRQB signal. The VCC1 POR port clears AIE to "0". The AIE bit is not affected by any internal functions.

- UIE The update-ended interrupt enable bit is a read/write bit which enables the update-end flag (UF) bit in Register C to assert IRQB. The VCC1 POR port or the SET bit going high clears the UIE bit.

- RES Reserved - read as zero

- DM The data mode bit indicates whether time and calendar updates are to use binary or BCD formats. The DM bit is written by the processor program and may be read by the program, but is not modified by any internal functions or by VCC1 POR. A "1" in DM signifies binary data, while a "0" in DM specifies BCD data.

- 24/12 The 24/12 control bit establishes the format of the hours byte as either the 24 hour mode if set to a "1", or the 12 hour mode if cleared to a "0". This is a read/write bit which is not affected by VCC1 POR or any internal function.

- DSE The daylight savings enable bit is read only and is always set to a "0" to indicate that the daylight savings time option is not available.

REGISTER C (CH) - READ ONLY REGISTER

b7	b6	b5	b4	b3	b2	b1	b0
IRQF	PF	AF	UF	0	0	0	0

- IRQF The interrupt request flag is set to a "1" when one or more of the following are true:
PF = PIE = 1
AF = AIE = 1
UF = UIE = 1

Any time the IRQF bit is a "1", the IRQB signal is driven low. All flag bits are cleared after Register C is read or by the VCC1 POR port.

- PF The periodic interrupt flag is a read only bit which is set to a "1" when a particular edge is detected on the selected tap of the divider chain. The RS3 -RS0 bits establish the periodic rate. PF is set to a "1" independent of the state of the PIE bit. PF being a "1" sets the IRQF bit and initiates an IRQB signal when PIE is also a "1". The PF bit is cleared by VCC1 POR or by a read of Register C .

- AF The alarm interrupt flag when set to a "1" indicates that the current time has matched the alarm time. A "1" in AF causes a "1" to appear in IRQF and the IRQB port to go low when the AIE bit is also a "1". A VCC1 POR or a read of Register C clears the AF bit.

UF The update-ended interrupt flag bit is set after each update cycle. When the UIE bit is also a "1", the "1" in UF causes the IRQF bit to be set and asserts IRQB. A VCC1 POR or a read of Register C causes UF to be cleared.

b3-0 The unused bits of Register C are read as zeros and cannot be written.

REGISTER D (DH) READ ONLY REGISTER

b7	b6	b5	b4	b3	b2	b1	b0
VRT	0	0	0	0	0	0	0

VRT When a "1", this bit indicates that the contents of the RTC are valid. A "0" appears in the VRT bit when the battery voltage is low. The VRT bit is a read only bit which can only be set by a read of Register D. Refer to Power Management for the conditions when this bit is reset. The processor program can set the VRT bit when the time and calendar are initialized to indicate that the time is valid.

b6:b0 The remaining bits of Register D are read as zeros and cannot be written.

Register EH-FEH: General purpose

Registers Eh-FEH are general purpose "CMOS" registers. These registers can be used by the host or 8051 and are fully available during the time update cycle. The contents of these registers are preserved by VCC0 power. Registers Eh-7Eh are in bank one and registers 80h-FEh are in bank 2.

Register 7FH, FFH: Shared RTC Control

This chip implements an interface that allows the 8051 to read/write the RTC and CMOS registers. Refer to the Keyboard Controller Section for the definition of these registers.

INTERRUPTS

The RTC includes three separate fully automatic sources of interrupts to the processor. The alarm interrupt may be programmed to occur at rates from one-per-second to one-a-day. The periodic interrupt may be selected for rates from half-a-second to 122.070 μ s. The update ended interrupt may be used to indicate to the program that an update cycle is completed. Each of these independent interrupts are described in greater detail in other sections.

The processor program selects which interrupts, if any, it wishes to receive by writing a "1" to the appropriate enable bits in Register B. A "0" in an enable bit prohibits the IRQB port from being asserted due to that interrupt cause. When an interrupt event occurs a flag bit is set to a "1" in Register C. Each of the three interrupt sources have separate flag bits in Register C, which are set independent of the state of the corresponding enable bits in Register B. The flag bits may be used with or without enabling the corresponding enable bits. The flag bits in Register C are cleared (record of the interrupt event is erased) when Register C is read. Double latching is included in Register C to ensure the bits that are set are stable throughout the read cycle. All bits which are high when read by the program are cleared, and new interrupts are held until after the read cycle. If an interrupt flag is already set when the interrupt becomes enabled, the IRQB port is immediately activated, though the interrupt initiating the event may have occurred much earlier.

When an interrupt flag bit is set and the corresponding interrupt-enable bit is also set, the IRQB port is driven low. IRQB is asserted as long as at least one of the three interrupt sources has its flag and enable bits both set. The IRQF bit in Register C is a "1" whenever the IRQB port is being driven low.

FREQUENCY DIVIDER

The RTC has 22 binary divider stages following the clock input. The output of the divider is a 1 Hz signal to the update-cycle logic. The divider is controlled by the three divider bits (DV3-DV0) in Register A. As shown in Table 68 the divider control bits can select the operating mode, or be used to hold the divider chain reset which allows precision setting of the time. When the divider chain is changed from reset to the operating mode, the first update cycle is one-half second later.

PERIODIC INTERRUPT SELECTION

The periodic interrupt allows the IRQB port to be triggered from once every 500 ms to once every 122.07 μ s. As Table 69 shows, the periodic interrupt is selected with the RS0-RS3 bits in Register A. The periodic interrupt is enabled with the PIE bit in Register B.

POWER MANAGEMENT

The HOSTD signal controls all host bus inputs to the RTC and RAM (nIOW, nIOR, VCC1 POR). When asserted, it disallows any modification of the RTC and RAM data by the host. HOSTD is asserted whenever:

1. Vcc2 is below 4.0 volts nominal.
2. PowerGood is inactive and Vcc2 is above 4.0 volts nominal

The 8051D signal controls all 8051 inputs to the RTC and RAM. When asserted, it disallows any modification of the RTC and RAM data by the 8051. 8051D is asserted when ever:

1. Vcc1 is below 2.5 volts nominal.
2. Vcc1 is above 2.5 volts and the 8051 is "in its hardware initialization routine."

The RTC (and CMOS) always draws power from VCC0.

When the Vcc2 voltage drops below 4.0 volts nominal, all host inputs are locked out so that the internal registers can not be modified by the host system. This lockout condition continues for 500usec (min) to 1msec (max) after the VCC2 power has been restored. The timed lockout does not occur under the following conditions:

1. The Divider Chain Controls (bits 6-4) are in any mode but Normal Operation ("010").
2. The VRT bit is a "0".

~~To minimize power consumption, the oscillator is disabled under the following conditions:~~

4. If VCC1=0 and the VCC0 is removed and then re-applied (a new battery is installed) the following occurs:

- A. The oscillator is disabled immediately.
- B. Initialize all registers 00-0D to a "00" when VCC1 is applied.

Note: There are three power supplies in the system. VCC0, VCC1 and VCC2.
 VCC0 must be present before or at the same time as VCC1.
 VCC1 must be present before or at the same time as VCC2.
 The RTC and CMOS registers always draw power from VCC0.

VCC2 (Nominal)	Power Good	BATTERY Voltage >2.5V	Host Register Access
<4.0	x	Y	N
<4.0 to >4.0	0	Y	N
>4.0	0->1	Y	Timed Lockout (Note 1)
>4.0	0	Y	N
>4.0	1	Y	Y

Note 1: If VCC2 and VCC1 are powered up at the same time, then the Host Register Access is delayed by the timed lockout and the 8051 Initialization, whichever is longer.

VCC1 (Nominal)	VCC2 (Nominal)	8051 Initialization	8051 Register Access
<2.5	x	x	N
<2.5 to >2.5	x	In Init	N
>2.5	x	In Init	N
>2.5	x	Init Finished	Y

ACCESS BUS

Background

The FDC37C957FR supports ACCESS.bus. ACCESS.bus is a serial communication protocol between a computer host and its peripheral devices. It provides a simple, uniform and inexpensive way to connect peripheral devices to a single computer port. A single ACCESS.bus on a host can accommodate up to 125 peripheral devices.

The ACCESS.bus protocol includes a physical layer based on the I²C™ serial bus developed by Philips, and several software layers. The software layers include the base protocol, the device driver interface, and several specific device protocols.

For a description of the ACCESS.bus protocol, please refer to the [ACCESS.bus Specifications Version 2.2, February 1994](#), available from the ACCESS.bus Industry Group (ABIG).

The ACCESS.bus interface is based on the PCF8584 controller. The registers are mapped into the 8051's external memory mapped register space. The addresses for the registers are shown in **Table 70**.

Table 70 - Access Bus Register Addresses

Address (Note 1)	Access Rights	Register	
7F31h	W	Control	S1
7F31h	R	Status	S1
7F32h	R/W	Own Address	S0'
7F33h	R/W	Data	S0
7F34h	R/W (note2)	Clock	S2

Note 1: These Registers are only directly accessible by the 8051 and reside within the 8051's external Memory Mapped Data address space.

Note 2: Bits 2 through 6 are read only reserved.

Register Description

The ACCESS.bus interface has four internal register locations. Two of these, Own Address register S0' and Clock register S2, are used for initialization of the chip. Normally they are only written once directly after resetting of the chip. The other two registers, the Data register S0, and the Control/Status register S1, (which functions as a double register) are used during actual data transmission/reception. Register s0 performs all serial-to-parallel interfacing with the ACCESS.bus. Register S1 contains ACCESS.bus status information required for bus access and/or monitoring.

ACCESS.BUS CONTROL/STATUS REGISTER S1

The control/status register controls the ACCESS.bus operation and provides status information. This register has separate read and write functions for all bit positions. The write-only section provides register access control and control over ACCESS.bus signals, while the read-only section provides ACCESS.bus status information.

ACCESS.BUS Control/Status Register S1:

Control	D7	D6	D5	D4	D3	D2	D1	D0
R/W	W	W	W	W	W	W	W	W
Bit Def	PIN	ES0	Reserved	Reserved	ENI	STA	STO	ACK
Status	D7	D6	D5	D4	D3	D2	D1	D0
R/W	R	R	R	R	R	R	R	R
Bit Def	PIN	0	STS	BER	LRB	AAS	LAB	nBB

Bit Definitions

Register S1 Control Section

The write-only section of S1 enables access to registers S0, S0', S1 and S2, and controls ACCESS.bus operation.

Bit 7: PIN (Pending Interrupt Not). Writing the PIN bit to a logic '1' deasserts all status bits except for the nBB (Bus Busy) -- nBB is not affected. The PIN bit is a self-clearing bit. Writing this bit to a logic '0' has no effect. This may serve as a software reset function.

Bit 6: ESO (Enable Serial Output). ESO enables or disables the serial ACCESS.bus I/O. When ESO is high, ACCESS.bus communication is enabled; communication with serial shift register S0 is enabled and the S1 bus status bits are made available for reading. With ESO = 0, bits ENI, STA, STO and ACK of S1 can be read for test purposes.

Bits 5,4: Reserved

Bit 3: ENI. This bit enables the internal interrupt, nINT, which is generated when the PIN bit is active (logic 0).

Bit 2, 1: STA and STO. These bits control the generation of the ACCESS.bus START condition and transmission of slave address and R/nW bit, generation of repeated START condition, and generation of the STOP condition (see **Table 71**).

Table 71 - Instruction Table for Serial Bus Control

STA	STO	PRESENT MODE	FUNCTION	OPERATION
1	0	SLV/REC	START	Transmit START+address, remain MST/TRM if R/W#=0; go to MST/REC if R/W#=1.
1	0	MST/TRM	REPEAT START	Same as for SLV/REC
0	1	MST/REC; MST/TRM	STOP READ; STOP WRITE	Transmit STOP go to SLV/REC mode; Note 1
1	1	MST	DATA CHAINING	Send STOP, START and address after last master frame without STOP sent; Note 2
0	0	ANY	NOP	No operation; Note 3

Note 1: In master receiver mode, the last byte must be terminated with ACK bit high ('negative acknowledge')

Note 2: If both STA and STO are set high simultaneously in master mode, a STOP condition followed by a START condition + address will be generated. This allows 'chaining' of transmissions without relinquishing bus control.

Note 3: All other STA and STO mode combinations not mentioned in Table 72 are NOPs.

Bit 0: ACK. This bit must be set normally to logic 1. This causes the ACCESS.bus to send an acknowledge automatically after each byte (this occurs during the 9th clock pulse) . The bit must be reset (to logic 0) when the ACCESS.bus controller is operating in master/receiver mode and requires no further data to be sent from the slave transmitter. This causes a negative acknowledge on the ACCESS.bus, which halts further transmission from the slave device.

Register S1 Status Section

The read-only section of S1 enables access to ACCESS.bus status information.

Bit 7: PIN (Pending Interrupt Not). This bit is a status flag which is used to synchronize serial communication and is set to logic 0 whenever the chip requires servicing. The PIN bit is normally read in polled applications to determine when an ACCESS.bus byte transmission/reception is completed.

When acting as transmitter, PIN is set to logic 1 (inactive) each time S0 is written. In receiver mode, the PIN bit is automatically set to logic 1 each time the data register S0 is read.

After transmission or reception of one byte on the ACCESS.bus (9 clock pulses, including acknowledge) the PIN bit will be automatically reset to logic 0 (active) indicating a complete byte transmission/reception. When the PIN bit is subsequently set to logic 1 (inactive) all status bits will be reset to zero on a BER (bus error) condition.

In polled applications, the PIN bit is tested to determine when a serial transmission/reception has been completed. When the ENI bit (bit 4 of write-only section of register S1) is also set to logic 1 the hardware interrupt is enabled. In this case, the PI flag also triggers and internal interrupt (active low) via the nINT output each time PIN is reset to logic 0.

When acting as a slave transmitter or slave receiver, while PIN=0, the chip will suspend ACCESS.bus transmission by holding the SCL line low until the PIN bit is set to logic 1 (inactive). This prevents further data from being transmitted or received until the current data byte in S0 has been read (when acting as slave receiver) or the next data byte is written to S0 (when acting as slave transmitter).

PIN bit summary:

- The PIN bit can be used in polled applications to test when a serial transmission has been completed. When the ENI bit is also set, the PIN flag sets the internal interrupt via the nINT output.
- In transmitter mode, after successful transmission of one byte on the ACCESS.bus the PIN bit will be automatically reset to logic 0 (active) indicating a complete byte transmission.
- In transmitter mode, PIN is set to logic 1 (inactive) each time register S0 is written.
- In receiver mode, PIN is set to logic 0 (inactive) on completion of each received byte. Subsequently, the SCL line will be held low until PIN is set to logic 1.
- In receiver mode, when register S0 is read, PIN is set to logic 1 (inactive).
- In slave receiver mode, an ACCESS.bus STOP condition will set PIN=0 (active).
- PIN=0 if a bus error (BER) occurs.

Bit 6: Reserved, Logic 0.

Bit 5: STS. When in slave receiver mode, this flag is asserted when an externally generated STOP condition is detected (used only in slave receiver mode).

Bit 4: BER. Bus error; a misplaced START or STOP condition has been detected. Resets nBB (to logic 1; inactive), sets PIN=0 (active).

Bit 3: LRB/AD0. Last Received Bit or Address 0 (general call) bit. This status bit serves a dual function, and is valid only while PIN=0:

1. LRB holds the value of the last received bit over the ACCESS.bus while AAS=0 (not addressed as slave). Normally this will be the value of the slave acknowledgment; thus checking for slave acknowledgment is done via testing of the LRB.
2. AD0; when AAS=1 (Addressed as slave condition) the ACCESS.bus controller has been addressed as a slave. Under this condition, this bit becomes the AD0 bit and will be set to logic 1 if the slave address received was the 'general call' (00h) address, or logic 0 if it was the ACCESS.bus controller's own slave address.

Bit 2: AAS. Addressed As Slave bit. Valid only when PIN=0. When acting as slave receiver, this flag is set when an incoming address over the ACCESS.bus matches the value in own address register S0' (shifted by one bit) or if the ACCESS.bus 'general call' address (00h) has been received ('general call' is indicated when AD0 status bit is also set to logic 1).

Bit 1: LAB. Lost Arbitration Bit. This bit is set when, in multi-master operation, arbitration is lost to another master on the ACCESS.bus.

Bit 0: nBB. Bus Busy bit. This is a read-only flag indicating when the ACCESS.bus is in use. A zero indicates that the bus is busy, and access is not possible. This bit is set/reset (logic 1/logic 0) by START/STOP conditions.

OWN ADDRESS REGISTER S0'

When the chip is addressed as slave, this register must be loaded with the 7-bit ACCESS.bus address to which the chip is to respond. During initialization, the own address register S0' must be written to, regardless whether it is later used. The Addressed As Slave (AAS) bit in status register S1 is set when this address is received (the value in S0 is compared with the value in S0'). Note that the S0 and S0' registers are offset by one bit; hence, programming the own address register S0' with a value of 55h will result in the value AAh being recognized as the chip's ACCESS.bus slave address.

After reset, S0' has default address 00h.

ACCESS.BUS Own Address Register S0':

Own Addr	D7	D6	D5	D4	D3	D2	D1	D0
R/W	R/W	R/W	R/W	R/W	R/W	R/W	R/W	R/W
Bit Def	Reserved	Slave Address 6	Slave Address 5	Slave Address 4	Slave Address 3	Slave Address 2	Slave Address 1	Slave Address 0

DATA SHIFT REGISTER S0

Register S0 acts as serial shift register and read buffer interfacing to the ACCESS.bus. All read and write operations to/from the ACCESS.bus are done via this register. ACCESS.bus data is always shifted in or out of shift register S0.

In receiver mode the ACCESS.bus data is shifted into the shift register until the acknowledge phase. Further reception of data is inhibited (SCL held low) until the S0 data shift register is read.

In the transmitter mode data is transmitted to the ACCESS.bus as soon as it is written to the S0 shift register if the serial I/O is enabled (ESO=1).

ACCESS.BUS Data Register

Data	D7	D6	D5	D4	D3	D2	D1	D0
R/W	R/W	R/W	R/W	R/W	R/W	R/W	R/W	R/W

CLOCK REGISTER S2

Register S2 controls the selection of the internal chip clock frequency used for the ACCESS.bus block. This determines the SCL clock frequency generated by the chip. The selection is made via Bits[2:0] (see Table 72).

ACCESS.BUS Clock Register

Clock	D[7:2]	D[2:0]
R/W	R	R/W
Bit Def		See table below

Table 72 - Internal Clock Rates and ACCESS.bus Data Rates

Access Bus Clock	Clock Rate	Data Rate	Nominal High	Nominal Low	Minimum High
D[1:0]					
00	Off				
10	Ring Osc	f/240	96/f	144/f	18/f
	Ring Osc=4Mhz	16.7Khz	24µs	36µs	4.5µs
	Ring Osc=6Mhz	25Khz	16µs	24µs	3µs
	Ring Osc=8Mhz	33.3Khz	12µs	18µs	2.25µs
10	12Mhz	50Khz	8µs	12µs	4µs
10	14.3... Mhz	60Khz	6.7µs	10.1µs	4µs
10	16Mhz	67Khz	6µs	9µs	4µs
11	24 Mhz	100Khz	4µs	6µs	4µs

f = frequency of the ring oscillator.

PS/2 Device Interface

PS/2 Logic Overview

The FDC37C957FR has four PS/2 serial ports implemented in hardware which are directly controlled by the on chip 8051. The hardware implementation eliminates the need to bit bang I/O ports to generate PS/2 ports. The PS/2 logic allows the host to communicate to any serial auxiliary devices compatible with the PS/2 interface through any one of four ports : EM, KB, IM and PS2. There are two identical PS/2 channels, each containing a set of five operating registers. Channel 1 (PS/2 Port 1) consists of ports EM and KB and channel 2 (PS/2 Port 2) consists of ports IM and PS2.

Each of the four PS/2 serial ports use a synchronous serial protocol to communicate with the auxiliary device. Each PS/2 port has two signal lines : Clock and Data. Both signal lines are bi-directional and imply open drain outputs. A pull-up resistor (typically 3.3K) is connected to the clock and data lines. This allows either the FDC37C957FR PS/2 logic or the auxiliary device to control both lines. Regardless, the auxiliary device provides the clock for transmit and receive operations. The serial packet is made up of eleven bits, listed in order as they will appear on the data line : start bit, eight data bits (least significant bit first), odd parity, and stop bit. Each bit cell is from 60 μ S to 100 μ S long. The data is latched on the high to low transition of the clock.

Transmitting to the Remote Auxiliary Device

The PS/2 serial protocol requires that the auxiliary device respond to all transmissions that it receives. The response will either be an 0xFA or 0xEE. The response is stored in the PS/2 ports RECEIVE register. Thus, after each transmission the RECEIVE register should contain either 0xFA or 0xEE.

A port is set to transmit by selecting the port and enabling the transmitter. This is done by writing to the CONTROL register. The PS/2 logic drives the clock line low and then floats the data line when the port is selected to transmit. Writing to the TRANSMIT register initiates the transmit operation. The data line is driven low and, within 80ns, the clock line is floated (externally pulled high by the pull-up resistor). The auxiliary device recognizes this as the FDC37C957's start bit, and responds by providing the eleven clocks (each clock corresponds to a bit). The Logic provides a 3.2 μ S bit hold time. If the auxiliary device did not respond within ___mS after the start bit, transmit is terminated and ERROR bit of the STATUS register and the RTSTIMOUT bit of the ERROR register are set. The auxiliary device has ___ μ S to complete one bit transmission or the FDC37C957's PS/2 logic will set the ERROR bit of the STATUS register and the XMTTIMOUT bit of the ERROR register. If the transmission is successful, the clock and data lines are floated waiting for the auxiliary device to send the response packet. If the response packet is not received within ___mS, the ERROR bit of the STATUS register is set, the RESTIMOUT bit of the ERROR register is set and the RECEIVE register content is set to 0xF7. If, on the other hand, the response packet is received and there are no errors, the PS/2 logic sets the READY bit of the STATUS register, clears the ERROR bit of the STATUS register, and clears the ERROR register. The RECEIVE register contains the received response byte.

Receiving from the Remote Auxiliary Device

A port is set to receive by selecting the port and enabling the receiver. This is done by writing to the CONTROL register. The PS/2 logic floats the PS/2 port's clock and data line when the port is selected to receive. The auxiliary device initiates the transfer by driving the data line low and 12 μ S later driving the clock low. The FDC37C957FR PS/2 Logic recognizes this as a start bit. The auxiliary device proceeds by transmitting ten more bits to the FDC37C957. The PS/2 Logic latches the data on the high to low transition of the clock. After the stop bit, the PS/2 Logic drives the clock line low until the RECEIVE register is read by the 8051. If there is no error in the transfer, the PS/2 logic sets the READY bit of the STATUS register, clears the ERROR bit of STATUS register, and clears the ERROR register. If, however, the receive operation does not complete in ___ms, the ERROR bit of the STATUS register is set together with the RECTIMOUT bit of the ERROR register, and the READY bit is not set.

PS/2 Emulation Logic register operational description.

PS/2 Port control registers:

	D7	D6	D5	D4	D3	D2	D1	D0
R/W	R	R	R	R/W	R/W	R/W	R/W	R/W
PS/2 Port1	Reserved	Reserved	Reserved	EM_EN	KB_EN	Inhibit	RX_EN	TX_EN
PS/2 Port2	Reserved	Reserved	Reserved	IM_EN	PS2_EN	Inhibit	RX_EN	TX_EN

Only one of bits D2-D0 can be set to one.

PS/2 Port1 control register operation

Inhibit	RX_EN	TX_EN	EM_EN	KB_EN	Operation Status
0	0	1	0	1	Transmission sent to Keyboard, echo cmd received
0	0	1	1	0	Transmission sent to Ext Mouse, echo cmd rcvd
0	0	1	1	1	Transmission inhibited, RTS_timeout error, (illegal state)
0	1	0	0	1	Data received from Keyboard, Transmission initiated by Keyboard.
0	1	0	1	0	Data received from Mouse, Transmission initiated by Mouse.
0	1	0	1	1	Data received from Keyboard and Mouse, transmissions are initiated by Keyboard and Mouse and interlaced to PS/2 Port1 receive register.

Inhibit	RX_EN	TX_EN	EM_EN	KB_EN	Operation Status
1	X	X	X	X	EM and KB PS/2 interfaces are disabled. Data written to the PS2 Port1 transmit register is not transmitted and no data is received from the external Mouse or Keyboard.

The operation of the PS/2 Port2 control register is similar for the IM and PS/2 devices.

PS/2 Port status registers:

	D7	D6	D5	D4	D3	D2	D1	D0
R/W	R	R	R	R	R	R	R	R
PS/2 Port1	Reserved	Reserved	EM_busy	KB_busy	Inhibit done	EM_drdy	KB_drdy	Error
PS/2 Port2	Reserved	Reserved	IM_busy	PS2_busy	Inhibit done	IM_drdy	PS2_drdy	Error

Error : This bit is set in the event of a transmit or receive error condition on either the EM or KB PS/2 ports or the IM or PS2 PS/2 ports. The cause of the error can be determined by reading the PS/2 Port1 or PS/2 Port2 Status register.

KB_drdy : This bit is set if If KB_EN is set and a character has been received successfully from the PS/2 KB port. This bit is cleared when the data has been read from the PS/2 Port1 Receive register.

EM_drdy : This bit is set if If EM_EN is set and a character has been received successfully from the PS/2 EM port. This bit is cleared when the data has been read from the PS/2 Port1 Receive register.

PS2_drdy : This bit is set if If PS2_EN is set and a character has been received successfully from the PS/2 PS2 port. This bit is cleared when the data has been read from the PS/2 Port2 Receive register.

IM_drdy : This bit is set if If IM_EN is set and a character has been received successfully from the PS/2 IM port. This bit is cleared when the data has been read from the PS/2 Port2 Receive register.

Inhibit done : This bit is set when the INHIBIT bit of the CONTROL register is set.

KB_busy : This bit is set when the PS/2 KB port is actively receiving a character.

EM_busy : This bit is set when the PS/2 EM port is actively receiving a character.

PS2_busy : This bit is set when the PS/2 PS2 port is actively receiving a character.

IM_busy : This bit is set when the PS/2 IM port is actively receiving a character.

Note: On receive the BUSY bit is set while receiving the first data bit and cleared while receiving the parity bit. On transmit, the BUSY bit is not set at all.

PS/2 Port error status register 1 and 2:

	D7-D5	D4	D3	D2	D1	D0
R/W	R	R	R	R	R	R
Bit Def	Reserved	Parity	RES_timeout	REC_timeout	RTS_timeout	XMT_timeout

XMT_timeout : (Transmit_timeout) is set when the transmitter bit time exceeds ___ms.

RTS_timeout : (ReadyToSend_timeout) is set when the transmitter did not see the start bit after ___ms from the time the transmit register is written.

REC_timeout : (RECeiver_timeout) is set when the receiver bit time exceeds ___ms.

RES_timeout : (RESponse_timeout) is set when the transmit response is not received within ___ms.

Parity : The PS/2 ports use Odd parity, in the event of a receive parity error this bit is set.

PS/2 Port transmit register 1 and 2:

	D7	D6	D5	D4	D3	D2	D1	D0
R/W	W	W	W	W	W	W	W	W

Data written to the PS/2 Port1/Port2 Transmit register is immediately transmitted onto the enabled PS/2 Port 1/[Port2] port provided that the PS/2 Port1/[Port2] Inhibit bit is not set and that both PS/2 Port1/[Port2] devices are not enabled for transmit at the same time.

PS/2 Port receive register 1 and 2:

	D7	D6	D5	D4	D3	D2	D1	D0
R	R	R	R	R	R	R	R	R

If KB_EN, and/or EM_EN is set and PS/2 Port1 RX_EN is set any successfully received characters over the KB and/or the EM PS/2 Port are placed into this register and the EM_drdy or KB_drdy PS/2 Port1 status bit is set. Similarly, if PS2_EN and/or IM_EN is set and PS/2 Port2 RX_EN is set any successfully received characters over the PS2 and/or IM PS2 Ports are placed into this register and the PS2_drdy or IM_drdy PS/2 Port2 status bit is set.

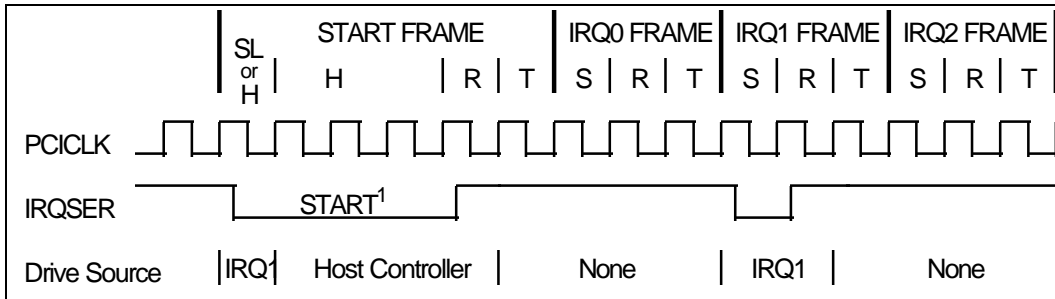
SERIAL INTERRUPTS

MSIO will support the serial interrupt scheme, which is adopted by several companies, to transmit interrupt information to the system. The serial interrupt scheme adheres to the "Serial IRQ Specification for PCI Systems" Version 6.0.

Timing Diagrams For IRQSER Cycle

PCICLK = 33Mhz_IN pin
 IRQSER = SIRQ pin

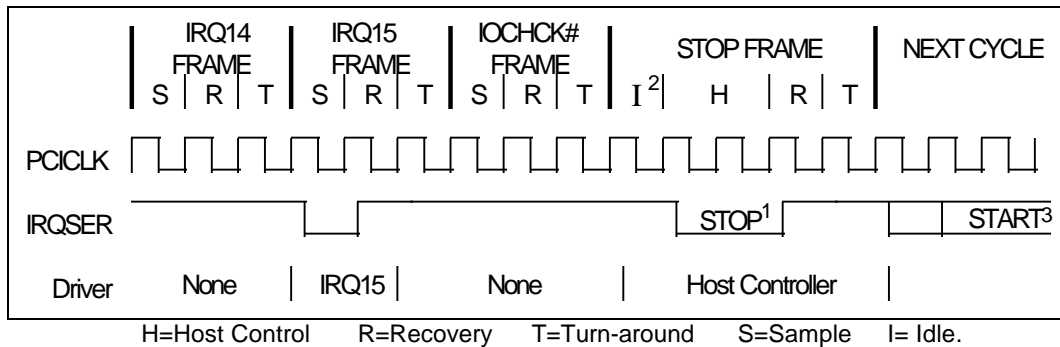
A) Start Frame timing with source sampled a low pulse on IRQ1



H=Host Control SL=Slave Control R=Recovery T=Turn-around S=Sample

1) Start Frame pulse can be 4-8 clocks wide.

B) Stop Frame Timing with Host using 17 IRQSER sampling period



- 1) Stop pulse is 2 clocks wide for Quiet mode, 3 clocks wide for Continuous mode.
- 2) There may be none, one or more Idle states during the Stop Frame.
- 3) The next IRQSER cycle's Start Frame pulse may or may not start immediately after the turn-around clock of the Stop Frame.

IRQSER Cycle Control

There are two modes of operation for the IRQSER Start Frame.

1) **Quiet (Active) Mode** : Any device may initiate a Start Frame by driving the IRQSER low for one clock, while the IRQSER is Idle. After driving low for one clock the IRQSER must immediately be tri-stated without at any time driving high. A Start Frame may not be initiated while the IRQSER is Active. The IRQSER is *Idle* between Stop and Start Frames. The IRQSER is *Active* between Start and Stop Frames. This mode of operation allows the IRQSER to be Idle when there are no IRQ/Data transitions which should be most of the time.

Once a Start Frame has been initiated the Host Controller will take over driving the IRQSER low in the next clock and will continue driving the IRQSER low for a programmable period of three to seven clocks. This makes a total low pulse width of four to eight clocks. Finally, the Host Controller will drive the IRQSER back high for one clock, then tri-state.

Any IRQSER Device (i.e., The FDC37C957) which detects any transition on an IRQ/Data line for which it is responsible must initiate a Start Frame in order to update the Host Controller unless the IRQSER is already in an IRQSER Cycle and the IRQ/Data transition can be delivered in that IRQSER Cycle.

2) **Continuous (Idle) Mode** : Only the Host controller can initiate a Start Frame to update IRQ/Data line information. All other IRQSER agents become passive and may not initiate a Start Frame. IRQSER will be driven low for four to eight clocks by Host Controller. This mode has two functions. It can be used to stop or idle the IRQSER or the Host Controller can operate IRQSER in a continuous mode by initiating a Start Frame at the end of every Stop Frame.

An IRQSER mode transition can only occur during the Stop Frame. **Upon reset, IRQSER bus is defaulted to Continuous mode, therefore only the Host controller can initiate the first Start Frame. Slaves must continuously sample the Stop Frames pulse width to determine the next IRQSER Cycle's mode.**

IRQSER Data Frame

Once a Start Frame has been initiated, the FDC37C957FR will watch for the rising edge of the Start Pulse and start counting IRQ/Data Frames from there. Each IRQ/Data Frame is three clocks: Sample phase, Recovery phase, and Turn-around phase. During the Sample phase the FDC37C957FR must drive the IRQSER (SIRQ pin) low, if and only if, its last detected IRQ/Data value was low. If its detected IRQ/Data value is high, IRQSER must be left tri-stated. During the Recovery phase the FDC37C957FR must drive the SERIRQ high, if and only if, it had driven the IRQSER low during the previous Sample Phase. During the Turn-around Phase the FDC37C957FR must tri-state the SERIRQ. The FDC37C957FR will drive the IRQSER line low at the appropriate sample point if its associated IRQ/Data line is low, regardless of which device initiated the Start Frame.

The Sample Phase for each IRQ/Data follows the low to high transition of the Start Frame pulse by a number of clocks equal to the IRQ/Data Frame times three, minus one. (e.g. The IRQ5 Sample clock is the sixth IRQ/Data Frame, $(6 \times 3) - 1 = 17$ th clock after the rising edge of the Start Pulse.)

IRQSER Sampling Periods

IRQSER PERIOD	SIGNAL SAMPLED	# OF CLOCKS PAST START
1	Not Used	2
2	IRQ1	5
3	nSMI/IRQ2	8
4	IRQ3	11
5	IRQ4	14
6	IRQ5	17
7	IRQ6	20
8	IRQ7	23
9	IRQ8	26
10	IRQ9	29
11	IRQ10	32
12	IRQ11	35
13	IRQ12	38
14	IRQ13	41
15	IRQ14	44
16	IRQ15	47

The SIRQ data frame will now support IRQ2 from a logical device, previously IRQSER Period 3 was reserved for use by the System Management Interrupt (nSMI). When using Period 3 for IRQ2 the user should mask off the Orion's SMI via the ESMI Mask Register. Likewise, when using Period 3 for nSMI the user should not configure any logical devices as using IRQ2.

IRQSER Period 14 is used to transfer IRQ13. Logical devices 0 (FDC), 3 (Par Port), 4 (Ser Port 1), 5 (Ser Port 2), 6 (RTC), and 7 (KBD) shall have IRQ13 as a choice for their primary interrupt.

Stop Cycle Control

Once all IRQ/Data Frames have completed the Host Controller will terminate IRQSER activity by initiating a Stop Frame. Only the Host Controller can initiate the Stop Frame. A Stop Frame is indicated when the IRQSER is low for two or three clocks. If the Stop Frame's low time is two clocks then the next IRQSER Cycle's sampled mode is the Quiet mode; and any IRQSER device may initiate a Start Frame in the second clock or more after the rising edge of the Stop Frame's pulse. If the Stop Frame's low time is three clocks then the next IRQSER Cycle's sampled mode is the Continuous mode; and only the Host Controller may initiate a Start Frame in the second clock or more after the rising edge of the Stop Frame's pulse.

Latency

Latency for IRQ/Data updates over the IRQSER bus in bridge-less systems with the minimum IRQ/Data Frames of seventeen, will range up to 96 clocks (3.84uS with a 25MHz PCI Bus or 2.88uS with a 33MHz PCI Bus). If one or more PCI to PCI Bridge is added to a system, the latency for IRQ/Data updates from the secondary or tertiary buses will be a few clocks longer for synchronous buses, and approximately double for asynchronous buses.

EOI/ISR Read Latency

Any serialized IRQ scheme has a potential implementation issue related to IRQ latency. IRQ latency could cause an EOI or ISR Read to precede an IRQ transition that it should have followed. This could cause a system fault. The host interrupt controller is responsible for ensuring that these latency issues are mitigated. The recommended solution is to delay EOIs and ISR Reads to the interrupt controller by the same amount as the IRQSER Cycle latency in order to ensure that these events do not occur out of order.

AC/DC Specification Issue

All IRQSER agents must drive / sample IRQSER synchronously related to the rising edge of PCI bus clock. IRQSER (SIRQ) pin uses the electrical specification of PCI bus. Electrical parameters will follow PCI spec. section 4, sustained tri-state.

Reset and Initialization

The IRQSER bus uses nPCIRST as its reset signal (nPCIRST is equivalent to using nRESET_OUT) and follows the PCI bus reset mechanism. The IRQSER pin is tri-stated by all agents while nPCIRST is active. With reset, IRQSER Slaves and Bridges are put into the (continuous) IDLE mode. The Host Controller is responsible for starting the initial IRQSER Cycle to collect system's IRQ/Data default values. The system then follows with the Continuous/Quiet mode protocol (Stop Frame pulse width) for subsequent IRQSER Cycles. It is Host Controller's responsibility to provide the default values to 8259's and other system logic before the first IRQSER Cycle is performed. For IRQSER system suspend, insertion, or removal application, the Host controller should be programmed into Continuous (IDLE) mode first. This is to guarantee IRQSER bus is in IDLE state before the system configuration changes.

FDC37C957FR Configuration

Overview

The Configuration of the FDC37C957FR is very flexible and is based on the configuration architecture implemented in typical Plug-and-Play components.

Reference Documents

Assumptions

1. The FDC37C957FR is destined for motherboard designs in which the resources required by its components are known. With its flexible resource allocation architecture the FDC37C957FR allows the BIOS to assign resources at POST.

Configuration Elements

Primary Configuration Address Decoder

The logical devices are configured through two Configuration I/O Ports (INDEX and DATA). The BIOS uses these Configuration Ports to initialize the logical devices at POST.

The MODE pin is a hardware configuration pin. The MODE pin sets the Configuration Port's default base address.

Note: All I/O addresses are qualified with AEN.

MODE Pin = 1 Type
 (to be used)

Port Name	MODE Pin = 0 (to be used)	MODE Pin = 1 (to be used)	Type
CONFIG PORT	0x03F0	0x0370	Write (NOWS ISA I/O)
INDEX PORT	0x03F0	0x0370	Read/Write (NOWS ISA I/O)
DATA PORT	INDEX PORT + 1		Read/Write (NOWS ISA I/O)

The INDEX and DATA ports are effective only when the chip is in the Configuration State.

Entering the Configuration State

The device enters the Configuration State when the following Config Key is successfully written to the CONFIG PORT.

Config Key = < 0x55, 0x55>

Exiting the Configuration State

The device exits the Configuration State when the following Config Key is successfully written to the CONFIG PORT address.

Config Key = < 0xAA>

Open Mode Configuration Access

Logical Device 7 contains a set of registers which may be accessed even when the FDC37C957FR is not in Configuration State. Accessing these configurations registers from the Run State is called "Open Mode Configuration Address". The Host CPU is provided a choice of four pairs of relocatable registers which are used to access these Open Mode registers. The Host can use the default set or it can select a different set by programming the Index Address Global Configuration Register bits[1:0]. These bits set the base I/O address for the Open Mode Index and Data register pairs. When set, Bit-7 of the Index Address Global Configuration register enables Open Mode access to the select set of logical device 7 configuration registers. When cleared, Bit-7 disables Open Mode Access. For details on the set of Open Mode Registers, see the Open Mode Registers section of this spec.

Accessing Configuration Registers

Table 73 - FDC37C957FR Configuration Register Access Methods

State	Mode Pin	Index Address Configuration Register (Global Config Reg 0x03)			Config Index Register	Config Data Register	Open Mode Index Register ***	Open Mode Data Register ***
		Bit-7	Bit-1	Bit-0				
Config	0	x	x	x	3F0	3F1	n/a	n/a
	1	x	x	x	370	371	n/a	n/a
Run	x	0	x	x	n/a	n/a	n/a	n/a
	x	1	0	0	n/a	n/a	0xE0	0xE1
	x	1	0	1	n/a	n/a	0xE2	0xE3
	x	1	1	0	n/a	n/a	0xE4	0xE5
	x	1	1	1	n/a	n/a	0xEA	0xEB

(***) Open Mode Data Registers are a subset of the config registers and are defined as registers 0x82-0x9A of logical device 7. Loading a value outside of the address range (0x82-0x9A) into the Open Mode Index Register will effectively disable reads/writes of the Open Mode Data register.

Configuration Registers

NOTE : Hard Reset = VCC2 POR or RESET_OUT pin asserted.

NOTE : Soft Reset = Configuration Control Register Bit-0 set to a one by Host only.

Configuration Register Map

Table 74 - Configuration Register Map

Index	Type	Hard Reset	Soft Reset	Configuration Register
GLOBAL CONFIGURATION REGISTERS				
0x02	W	0x00	0x00	Config Control
0x03	R/W	0x01 or 0x02, based on mode pin.	n/a	Index Address
0x07	R/W	0x00	0x00	Logical Device Number
0x20	R	0x07	0x07	Device ID
0x21	R	0x01	0x01	Device Rev - hard wired
0x22	R/W	0x00	n/a	Power Control
0x23	R/W	0x00	n/a	Power Mgmt
0x24	R/W	0x04	n/a	OSC
0x25	R/W	0x00	n/a	Device Mode
0x2C	R/W	0x00	n/a	TEST 0
0x2D	R/W	0x00 (3)	n/a	TEST 1
0x2E	R/W	0x00 (3)	n/a	TEST 2
0x2F	R/W	0x00	n/a	TEST 3
LOGICAL DEVICE 0 CONFIGURATION REGISTERS (FDC)				
0x30	R/W	0x00	0x00	Activate
0x60, 0x61	R/W	0x03, 0xF0	0x03, 0xF0	Primary Base I/O Address
0x70	R/W	0x06	0x06	Primary Interrupt Select
0x74	R/W	0x02	0x02	DMA channel Select

Index	Type	Hard Reset	Soft Reset	Configuration Register
0xF0	R/W	0x0E	n/a	FDD Mode Register
0xF1	R/W	0x00	n/a	FDD Option Register
0xF2	R/W	0xFF	n/a	FDD Type Register
0xF4	R/W	0x00	n/a	FDD0
0xF5	R/W	0x00	n/a	FDD1
LOGICAL DEVICE 1 CONFIGURATION REGISTERS (RESERVED)				
LOGICAL DEVICE 2 CONFIGURATION REGISTERS (RESERVED)				
LOGICAL DEVICE 3 CONFIGURATION REGISTERS (Parallel Port)				
0x30	R/W	0x00	0x00	Activate
0x60, 0x61	R/W	0x00, 0x00	0x00, 0x00	Primary Base I/O Address
0x70	R/W	0x00	0x00	Primary Interrupt Select
0x74	R/W	0x04	0x04	DMA channel Select
0xF0	R/W	0x3C	n/a	Parallel Port Mode Register
0xF1	R/W	0x00	n/a	Parallel Port CnfgB shadow Register
LOGICAL DEVICE 4 CONFIGURATION REGISTERS (Serial Port 1)				
0x30	R/W	0x00	0x00	Activate
0x60, 0x61	R/W	0x00, 0x00	0x00, 0x00	UART Register Base I/O Address
0x70	R/W	0x00	0x00	Primary Interrupt Select
0xF0	R/W	0x00	n/a	Serial Port 1 Mode Register
LOGICAL DEVICE 5 CONFIGURATION REGISTERS (Serial Port 2)				
0x30	R/W	0x00	0x00	Activate
0x60, 0x61	R/W	0x00, 0x00	0x00, 0x00	Primary Base I/O Address
0x62, 0x63	R/W	0x00, 0x00	0x00, 0x00	USRT Register Base I/O Address

Index	Type	Hard Reset	Soft Reset	Configuration Register
0x74	R/W	0x04	0x04	IrCC DMA Channel Select
0xF1	R/W	0x02	n/a	IR Options Register
0xF2	R/W	0x03	n/a	IR Half Duplex Timeout
0x70	R/W	0x00	0x00	Primary Interrupt Select
0xF0	R/W	0x00	n/a	Serial Port 2 Mode Register
0xF1	R/W	0x00	n/a	IR Options Register
LOGICAL DEVICE 6 CONFIGURATION REGISTERS (RTC)				
0x30	R/W	0x00	0x00	Activate
0x70	R/W	0x00	0x00	Primary Interrupt Select
0xF0	R/W	0x00	n/a	Real Time Clock Mode Register
LOGICAL DEVICE 7 CONFIGURATION REGISTERS (Keyboard)				
0x30	R/W	0x00	0x00	Activate
0x70	R/W	0x00	0x00	Primary Interrupt Select
0x72	R/W	0x00	0x00	Second Interrupt Select
0x82 ⁽¹⁾	R/W	(2)	n/a	System-to-8051 Mailbox Register
0x83	R/W	(2)	n/a	8051-to-System Mailbox Register
0x84	R/W	(2)	n/a	Mailbox Register 2
0x85	R/W	(2)	n/a	Mailbox Register 3
0x86	R/W	(2)	n/a	Mailbox Register 4
0x87	R/W	(2)	n/a	Mailbox Register 5
0x88	R/W	(2)	n/a	Mailbox Register 6
0x89	R/W	(2)	n/a	Mailbox Register 7
0x8A	R/W	(2)	n/a	Mailbox Register 8
0x8B	R/W	(2)	n/a	Mailbox Register 9
0x8C	R/W	(2)	n/a	Mailbox Register A
0x8D	R/W	(2)	n/a	Mailbox Register B

Index	Type	Hard Reset	Soft Reset	Configuration Register
0x8E	R/W	(2)	n/a	Mailbox Register C
0x8F	R/W	(2)	n/a	Mailbox Register D
0x90	R/W	(2)	n/a	Mailbox Register E
0x91	R/W	(2)	n/a	Mailbox Register F
0x92	R/W	(2)	n/a	PWM0 Register
0x93	R/W	(2)	n/a	PWM1 Register
0x94	R/W	(2)	n/a	8051STP_CLK
0x95	R/W	(2)	n/a	HMEM
0x96	R/W	(2)	n/a	ESMI source register
0x97	R/W	(2)	n/a	ESMI mask register
0x98	R/W	(2)	n/a	IR data register
0x99	R/W	(2)	n/a	Force Disk Change register
0x9A	R	(2)	n/a	Floppy Data Rate Select Shadow register
0x9B	R	(2)	n/a	UART1 FIFO Control Shadow Register
0x9C	R	(2)	n/a	UART2 FIFO Control Shadow Register
0xF0	R/W	0x00	0x00	KRST_GA20 Register

Note1: Registers 0x82 through 0x9A of Logical Device 7 (KBD/8051 CPU) are also accessible when the FDC37C957FR device is not in Configuration State. When in Config State, the Host first sets the Logical Device # Register to 0x07 and then uses the INDEX and DATA ports to indirectly access these registers, whereas when not in Config State, the host may simply use the INDEX and DATA ports to access these registers regardless of the value currently stored in the Logical Device # Register.

Note 2: Refer to the FDC37C957FR Keyboard Specification for Reset.

Note 3: Reset only by VCC2 POR.

Chip Level (Global) Control/Configuration Registers[0x00-0x2F]

The Chip Level (Global) Control/Configuration Registers are located at the following addresses: 0x00-0x2F.

Table 75 - Global Configuration Registers

Register	Address	Description	State
Chip (Global) Control Registers			
	0x00 - 0x01	Reserved - Writes are ignored, reads return 0.	
Config Control	0x02 W	The hardware automatically clears this bit after the write, there is no need for software to clear the bits. Bit 0 = 1: Soft Reset; Refer to Table 74 for the soft reset value for each register.	C
Index Address	0x03 R/W	<p>Bit[7] When this bit is set to a “1” bits[1:0] of this register will then determine the I/O base address for an Index and Data register used to access the Open Mode Data registers (0x82-0x9A of logical device 7) when the FDC37C957FR is in the Run state.</p> <p>=1 Enable an Index and Data PORT to access the Open Mode Data registers when in the Run State. =0 Disable INDEX PORT and DATA PORT to access Open Mode Data registers when in the Run State. (Default on VCC2 POR).</p> <p>Bit[6] =1 Enable CONFIG_STAT port. =0 Disable CONFIG_STAT port (default on VCC2 POR).</p> <p>Bits [5:2] Reserved- Writes are ignored, reads return 0.</p> <p>Bits[1:0] When in the Run State these bits set the address of the Index and Data registers used to access the Open Mode Data registers. = 11 0xEA</p>	

Register	Address	Description	State
		= 10 0xE4 (MODE=1 VCC2 POR default) = 01 0xE2 (MODE=0 VCC2 POR default) = 00 0xE0	
	0x04 - 0x06	Reserved - Writes are ignored, reads return 0.	
Logical Device #	0x07 R/W	A write to this register selects the current logical device. This allows access to the control and configuration registers for each logical device. Note: the Activate command operates only on the selected logical device.	C
Card Level Reserved	0x08 - 0x1F	Reserved - Writes are ignored, reads return 0.	
Chip Level, SMC Defined			
Device ID	0x20 R	A read only register which provides device identification. Bits[7:0] = 0x07 when read	C
Device Rev	0x21 R	A read only register which provides device revision information. Bits[7:0] = 0x01 when read	C
PowerControl	0x22 R/W	Bit[0] : FDC Power Bit[3:2] : Power on or enabled = 1 Power on or enabled	C
Power Mgmt	0x23 R/W	Bit[0] : FDC Bit[3:2] : Power on or enabled	

Register	Address	Description	State
		= 0 Intelligent Pwr Mgmt off = 1 Intelligent Pwr Mgmt on	C
OSC	0x24 R/W	Bits[1:0] : Reserved, set to zero Bits[3:2] : OSC = 01 Osc is on, BRG clock is on when PWRGD is active. When PWRGD is disabled (Faults disabled), off and BRG Clock is disabled. = 10 Same as above (01) case. = 00 Osc is on, BRG Clock Enabled. = 11 Osc is off, BRG clock is disabled. Bit[6:4] : CLK_OUT Select = [0,0,0] : CLK_OUT = 1.8432MHz = [0,0,1] : CLK_OUT = 14.318MHz = [0,1,0] : CLK_OUT = 16MHz = [0,1,1] : CLK_OUT = 24MHz = [1,0,0] : CLK_OUT = 48MHz = [1,0,1] : Reserved = [1,1,X] : Reserved Bit[7] : nIRQ8 Polarity active high = 0 nIRQ8 is active high = 1 nIRQ8 is active low Note: This polarity bit not only affects the nIRQ8 pin, but is also reflected in the Serial IRQ sample phase for the IRQ8 Frame for the Serial IRQ Bus.	
Device Mode	0x25 R/W	Bits[1:0] : Flash Timing This register is used to program the width of Flash Read (nFRD) and Flash Write (nFWR) signals during Host Flash accesses. = 0,0 : nFRD/nFWR width = 5 sclks = 0,1 : width = 4 sclks = 1,0 : width = 3 sclks = 1,1 : Reserved, do not use. Bit[2] : Serial Mode can initiate a cycle. = 0 : Only Host can initiate a cycle. = 1 : Only Host initiates cycles.	

Register	Address	Description	State
		Bits[4:3] : Parallel Port FDC = [0:0] - Normal = [0:1] - PPF1 Mode = [1:0] - PPF2 Mode = [1:1] - Reserved Bits[7:5] : Reserved - writes ignored, reads return 0.	
Chip Level Vendor Defined	0x26	Reserved - Writes are ignored, reads return 0.	
Test Registers	0x27-0x2B	SMC Test Mode Registers, Reserved for SMC.	

REGISTER	ADDRESS	DESCRIPTION	STATE
TEST 0	0x2C	Test Modes : Reserved for SMC. Users should not write to this register, may produce undesired results.	
TEST 1	0x2D R/W	Test Modes : Reserved for SMC. Users should not write to this register, may produce undesired results.	C
TEST 2	0x2E R/W	Test Modes : Reserved for SMC. Users should not write to this register, may produce undesired results.	C
TEST 3	0x2F R/W	Test Modes : Reserved for SMC. Users should not write to this register, may produce undesired results.	C

Logical Device Configuration/Control Registers [0x30-0xFF]

Used to access the registers that are assigned to each logical unit. This chip supports 6 logical units and has 6 sets of logical device registers. The 6 logical devices are Floppy, Parallel, Serial 1 and Serial 2, Real Time Clock, and Keyboard Controller. A separate set(bank) of control and configuration registers exists for each Logical Device and is selected with the Logical Device # Register (0x07).

The INDEX PORT is used to select a specific logical device register. These registers are then accessed through the DATA PORT.

The Logical Device registers are accessible only when the device is in the Configuration State with the exception of registers 0x82-0x9A of Logical Device 7 which are also accessible when in the run state. The logical register addresses are :

Table 76 - Logical Device Configuration Registers

Logical Device Register	Address	Description	State
Activate ^{note1}	(0x30)	Bits[7:1] Reserved, set to zero. Bit[0] = 1 Activates the logical device currently selected through the Logical Device # register. = 0 Logical device currently selected is inactive	C
Logical Device Control	(0x31-0x37)	Reserved - Writes are ignored, reads rtn 0.	C
Logical Device Control	(0x38-0x3f)	Vendor Defined - Reserved - Writes are ignored, reads return 0.	C
Mem Base Addr	(0x40-0x5F)	Reserved - Writes are ignored, reads return 0.	C
I/O Base Addr. (see Table 77)	(0x60-0x6F) 0x60 = addr[15:8] 0x61= addr[7:0]	All logical devices contain 0x60, 0x61. Unused registers will ignore writes and return zero when read.	C

Logical Device Register	Address	Description	State
Interrupt Select	(0x70,072)	0x70 is implemented for each logical device. Refer to Interrupt Configuration Register description. (Only at High I/O Base Addr. 70h is implemented)	
	(0x71,0x73)	Reserved - not implemented. These register locations ignore writes and return zero when read.	
DMA Channel Select	(0x74,0x75)	Only 0x74 is implemented for FDC , and Parallel port. 0x75 is not implemented and ignores writes and returns zero when read. Refer to DMA Channel Configuration (seeTable 79).	C
32-Bit Memory Space Configuration	(0x76-0xA8)	Reserved - not implemented. These register locations ignore writes and return zero when read.	
Logical device	(0xA9-0xDF)	Reserved - not implemented. These register locations ignore writes and return zero when read.	C
Logical Device Config.	(0xE0-0xFE)	Reserved - Vendor Defined (see SMC defined Logical Device Configuration Registers)	C
Reserved	0xFF	Reserved	C

Note1 : A logical device will be active and powered up according to the following equation.

~~DEACTIVATION BASED ON PWR/CONTROL BIT SET/CLEAR AND (DISABLE BIT SET)~~
 DEACTIVATION BASED ON PWR/CONTROL BIT SET/CLEAR AND (DISABLE BIT SET) that setting or clearing one sets or clears the other. Three bits in the 8051's Disable Register (see Keyboard spec), bits D7, D6 and D4 are capable of overriding the Activate and PWR/Control bit settings for logical devices 3, 4 and 0 respectively. Thus clearing bit D7 of the Disable register will disable the FDC regardless of the FDC's Activate and PWR/Control bits. When D7 of the Disable register is set, the FDC's Activate and PWR/Control bits will determine the on/off state of the FDC. If the I/O Base Addr of the logical device is not within the Base I/O range as shown in the Logical Device I/O map, then read or write is not valid and is ignored.

I/O Base Address Configuration Register Description

Table 77 - Logical Device, Base I/O Addresses

Logical Device Number	Logical Device	Register Index	Base I/O Range (note3)	Fixed Base Offsets
0x00	FDC	0x60,0x61	[0x100:0x0FF8] ON 8 BYTE BOUNDARIES	+0 : SRA +2 : MBR
0x01	Reserved			
0x02	Reserved			
0x03	Parallel Port	0x60,0x61	[0x100:0x0FFC] ON 4 BYTE BOUNDARIES (EPP Not supported) or [0x100:0x0FF8] ON 8 BYTE BOUNDARIES (all modes supported, EPP is only available when the base address is on an 8-byte boundary)	+0 : Data ecpAfifo +2 : MBR
0x04	Serial Port 1	0x60,0x61	[0x100:0x0FF8] ON 8 BYTE BOUNDARIES	+0 : RB/TB LSB div +2 : MBR
0x05	Serial Port 2 (UART)	0x60,0x61	[0x100:0x0FF8] ON 8 BYTE BOUNDARIES	+0 : RB/TB LSB div +2 : MBR

Logical Device Number	Logical Device	Register Index	Base I/O Range (note3)	Fixed Base Offsets
				+5 : LSR +6 : ISR
0x05	Serial Port 2 (IR-USRT)	0x62, 0x63	[0x100:0x0FF8] ON 8 BYTE BOUNDARIES	+0 : Register Block N, address 0 0x100:0x0FF8 Block N,
0x06	RTC	n/a	Not Relocatable Fixed Base Address	<u>Bank 0</u> 0x70 : Address Register 0x71 : Data Register * <u>Bank 1</u> 0x74 : Address Register 0x71 : Data Register *
0x07	KYBD	n/a	Not Relocatable Fixed Base Address	0x60 : Data Register 0x64 : Command/Status Reg.

Note3 : This chip uses all ISA address bits to decode the base address of each of its logical devices.

*When these registers are accessed the nNOWS line is not asserted. All other register in this table assert the nNOWS signal when accessed.

Interrupt Select Configuration Register Description

Table 78 -Interrupt Select Configuration Registers

Name	Reg Index	Definition	State
Interrupt request level select 0	0x70 (R/W)	<p>Bits[3:0] Selects which interrupt level is used for Interrupt 0.</p> <p>0x00=no interrupt selected. 0x01=IRQ1 0x02=IRQ2 0 0 0 0x0E= IRQ14 0x0F= IRQ15</p> <p>Note: All pin-type interrupts are edge high (except ECP/EPP). Each Logical Device's interrupts selected through this register physically select the interrupts to be used by the FDC37C957FR for either the Serial IRQ interface or for the individual pin-type ISA interrupts if selected. Setting the IRQ through this register for the Parallel Port is not reflected in the Enhanced Parallel port cnfgB register, software must set the DMA/IRQ bits in the Parallel Port logical device config register 0xF1 (Parallel Port CnfgB shadow register).</p> <p>Note: It is possible for both UART1 and UART2 to share a common IRQ pin (refer to Table 80 in the Logical Device 4 SMC defined Configuration Registers section).</p>	C

Note : An Interrupt is activated by Setting the Interrupt Request Level Select 0 register to a non-zero value AND :

- 1) for the FDC logical device by setting DMAEN, bit D3 of the Digital Output Register.
- 2) for the PP logical device by setting IRQE, bit D4 of the Control Port and in addition
- 3) for the PP logical device in ECP mode by clearing serviceIntr, bit D2 of the ecr.
- 4) for the Serial Port logical device by setting any combination of bits D0-D3 in the IER and by setting the OUT2 bit in the UART's Modem Control (MCR) Register.
- 5) for the RTC by (refer to the RTC section of this spec.)
- 6) for the KYBD by (refer to the KYBD controller section of this spec.)

Note: IRQ pins must tri-state if not used/selected by any Logical Device. **(Refer to Appendix A)**

DMA Channel Select Configuration Register Description

Table 79 - DMA Channel Select Configuration Registers

Name	Reg Index	Definition	State
DMA Channel select 0	0x74 (R/W)	Bits[2:0] Select the DMA Channel. 0x00=DMA0 0x01=DMA1 0x02=DMA2 0x03=DMA3 0x04-0x07= No DMA active	C

Note : A DMA channel is activated by

Setting the DMA Channel Select 0 register to [0x00-0x03]

-
- 1) for the FDC logical device by setting DMAEN, bit D3 of the Digital Output Register
 - 2) for the PP logical device in ECP mode by setting dmaEn, bit D3 of the ecr
 - 3) for the UART2 logical device, by setting the DMA Enable bit. Refer to the IrCC specification

Note: DMAREQ pins must tri-state if not used/selected by any Logical Device.

Refer to Appendix A of this section.

SMC Defined Logical Device Configuration Registers

The SMC Specific Logical Device Configuration Registers reset to their default values only on hard resets generated by VCC2 POR or the RESET_OUT signal. These registers are not effected by Soft Resets.

Floppy Disk Controller, Logical Device 0 [Logical Device Number = 0x00]

Name	Reg Index	Definition	State
FDD Mode Register Default = 0x0E	0xF0 R/W	<p>Bit[0] : Floppy Mode = 0 Normal Floppy Mode (default) = 1 Enhanced Floppy Mode 2 (OS2)</p> <p>Bit[1] : FDC DMA Mode = 0 Burst Mode is enabled = 1 Non-burst Mode (default)</p> <p>Bit[2] : FDC Interface Mode (default) = 10 (Reserved) = 01 PS/2 = 00 Model 30</p> <p>Bit[4] : Swap Drive 0 (Model) = 1 Drive and Motor sel 0 and 1 are swapped.</p> <p>Bit[5] : FDC Shutdown = 0 FDC37C957FR FDC operates normally, FDC pins are active. (default) = 1 FDC core is shutdown, only I/O Writes to DOR, TDR, DSR, and CCR are enabled, all Floppy Disk interface pins tri-state except for DRVDEN0, DRVDEN1, nDS0, nDS1, nMTR0, and nMTR1. (see the ori_sio.doc specification for further details).</p> <p>Bit[6] : FDC Output Type Control = 0 : FDC Outputs are OD24 Open Drain (default). = 1 : FDC Outputs are O24 push pull.</p> <p>Bit[7] : FDC Output Control</p>	C

Name	Reg Index	Definition	State
		= 0 FDC Outputs active (default) = 1 FDC Outputs tri-stated Note : Bits 6 and 7 do not effect the Parallel Port FDC pins.	C
FDD Option Register Default = 0x00	0xF1 R/W	Bits[1:0] : Reserved, set to zero Bits[3:2] : Density Select (default) = 01 Normal (reserved for users) = 10 1 (forced to logic "1") = 11 0 (forced to logic "0") Bits[5:4] : Media Polarity = 01 = 10 = 11 Bits[7:6] : Boot Floppy (default) = 01 FDD 1 = 10 FDD 2 = 11 FDD 3	C
FDD Type Register Default = 0xFF	0xF2 R/W	Bits[1:0] : Floppy Drive A Type Bits[3:2] : Floppy Drive B Type	C
	0xF3 R	Reserved, Read as 0 (read only)	C
FDD0 Default = 0x00	0xF4 R/W	Bits[1:0] : Drive Type select Bits[3:2] : Read Protect Fields Select	
FDD1	0xF5 R/W	Refer to definition and default for 0xF4	C

RESERVED, Logical Device 1 [Logical Device Number = 0x01]

RESERVED, Logical Device 2 [Logical Device Number = 0x02]

Parallel Port, Logical Device 3 [Logical Device Number = 0x03]

Name	Reg Index	Definition	C State
PP Mode Register Default = 0x3C	0xF0 R/W	Bits[2:0] : Parallel Port Mode = 100 Printer Mode (default) = 000 Standard and Bi-directional (SPP) Mode = 001 EPP-1.9 and SPP Mode = 101 EPP-1.7 and SPP Mode = 010 ECP Mode = 011 ECP and EPP-1.9 Mode = 111 ECP and EPP-1.7 Mode Bit[6:3] : DCPI5 (Default) threshold Bit[7] : PP IRQ level type. The parallel port is in the Printer Mode (100) or the Standard & Bi-directional Mode (000). = 1 Pulsed Low, released to high-Z (665/666). = 0 IRQ follows nACK when parallel port in EPP Mode or [Printer,SPP, EPP] under ECP. IRQ level type when the parallel port is in SPP, ECP or EPP.	
Parallel Port CnfgB shadow Register Default = 0x00	0xF1 R/W	Bits[2:0] : Parallel Port DMA channel Select = 000 h/w jumpered 8-bit DMA (default) = 001 DMA channel 1 = 010 DMA channel 2 = 011 DMA channel 3 Bits[5:3] : Parallel Port IRQ line Select = 000 h/w jumpered IRQ (default) = 001 IRQ 7	C

Name	Reg Index	Definition	State
		= 010 IRQ 9 = 011 IRQ 10 = 100 IRQ 11 = 101 IRQ 14 = 110 IRQ 15 = 111 IRQ 5 Bits[7:6] : Reserved, ignored writes The DMA/IRQ bits in this register are reflected in the Enhanced Parallel Port's read only cnfgB register.	

Serial Port 1, Logical Device 4 [Logical Device Number = 0x04]

Name	Reg Index	Definition	State
Serial Port 1 Mode Register Default = 0x00	0xF0 R/W	Bit[0] : MIDI Mode = 0 MIDI support disabled (default) = 1 MIDI support enabled Bit[1] : High Speed = 0 High Speed Disabled(default) = 1 High Speed Enabled Bit[6:2] : Reserved, set to zero Bit[7] : Share_IRQ = 0 UARTS use different IRQs. = 1 UARTS share a common IRQ. See Table 80.	C

Table 80 - UART Shared Interrupt Operation

UART1		UART2			IRQ PINS	
UART1 OUT2 bit	UART1 IRQ State	UART2 OUT2 bit	UART2 IRQ State	Share IRQ Bit	UART1 Pin State	UART2 Pin State
This part of the table is based on the assumption that both UARTS have selected different IRQ pins.						
0	Z	0	Z	0	Z	Z
1	asserted	0	Z	0	1	Z
1	de-asserted	0	Z	0	0	Z
0	Z	1	asserted	0	Z	1
0	Z	1	de-asserted	0	Z	0
1	asserted	1	asserted	0	1	1
1	asserted	1	de-asserted	0	1	0
1	de-asserted	1	asserted	0	0	1
1	de-asserted	1	de-asserted	0	0	0
0	Z	0	Z	1	Z	Z
1	asserted	0	Z	1	1	1
1	de-asserted	0	Z	1	0	0
0	Z	1	asserted	1	1	1
0	Z	1	de-asserted	1	0	0
1	asserted	1	asserted	1	1	1
1	asserted	1	de-asserted	1	1	1
1	de-asserted	1	asserted	1	1	1
1	de-asserted	1	de-asserted	1	0	0
It is the responsibility of the software to ensure that two IRQ's are not set to the same IRQ number. However, if they are set to the same number than no damage to the chip will result.						

Serial Port 2, Logical Device 5 [Logical Device Number = 0x05]

Name	Reg Index R/W	Definition	State C
Serial Port 2 Data Register	0xF0 R/W 0xF1 R/W	Bit[0] : MIDI Mode = 0 - MIDI support disabled (default) = 1 - MIDI support enabled Bit[1] : High Speed = 0 - High Speed Disabled (default) = 1 - High Speed Enabled Bit[0] : Receive Polarity = 0 - Active High = 1 - Active Low (Default) Bit[7:2] : Reserved, set to zero Bit[1] : Transmit Polarity = 0 - Active High (Default) = 1 - Active Low	C
IR Option Register		Bit[2] : Duplex Select = 0 - Full Duplex (Default) = 1 - Half Duplex Bits[5:3] : UART/IR Mode Standard COMM = 001 IrDA SIR-A = 010 ASK-IR = 011 (IrDA SIR-B) = 100 (IrDA HDLC) = 101 (IrDA 4PPM) = 110 (Consumer) = 111 (Raw IR) Bits[7:6] : IrCC Output Mux = 00 : Active Device to COM-RX/COM-TX port (default). = 01 : Active Device to IRRX/IRTX port = 10 : Reserved -use AUX port not mapped to pins thus both IR and COM ports are inactive.	

Name	Reg Index	Definition	State
		= 11 : Reserved, All ports are inactive.	
IR Half Duplex Timeout Default = 0x03	0xF2 R/W	Bits[7:0] These bits set the half duplex time-out for the IR port. This value is 0 to 10ms in 100us increments. = 0x00 - Blank Register during Xmit/Recv/Idle. EN_1 : Bits [5:0] of the IR Option Configuration Register must be reconciled with bits[5:0] of the "USRT Configuration Register A" control register in the IrCC Block, detailed in the IrCC specification. Additionally Bits [7:6] of the IR Option Configuration Register must be reconciled with bits[5:4] of the "USRT Configuration Register B" control register in the IrCC Block. The last register written should update the information in both registers. (both sets of registers can use common latches to store the information.)	

RTC, Logical Device 6 [Logical Device Number = 0x06]

C

Name	Reg Index	Definition	State
RTC Mode Register Default = 0x00	0xF0 R/W	Bit[0] : = 1 : Lock CMOS RAM 80-9Fh Bit[1] : = 1 : Lock CMOS RAM A0-BFh Bit[2] : = 1 : Lock CMOS RAM C0-DFh Bit[3] : = 1 : Lock CMOS RAM E0-FE h Bits[7:4] : Reserved, set to zero Bit[4] : = 1 : Lock CMOS RAM F0-FFh	

KBYD, Logical Device 7 [Logical Device Number = 0x07]

Name	Reg Index	Definition	State
System-to-8051 Mailbox Register	0x82 R/W	(1)	C, R
8051-to-System Mailbox Register	0x83 R/W	(1)	C, R
Mailbox Register 2 - F	0x84-0x91 R/W	(1)	C, R
PWM0 Register	0x92 R/W	(1)	C, R
PWM1 Register	0x93 R/W	(1)	C, R
8051STP_CLK	0x94 R/W	(1)	C, R
HMEM	0x95 R/W	(1)	C, R
ESMI source register	0x96 R/W	(1)	C, R
ESMI mask register	0x97 R/W	(1)	C, R
IR data register	0x98 R/W	(1)	C, R
Force Disk Change Register	0x99 R/W	See the description of the Force Disk Change Register in the Floppy Disk Controller Section of this specification.	C, R
Floppy Data Rate Select Shadow Register	0x9A R	See the description of the Floppy Data Rate Select Register in the Floppy Disk Controller Section of this specification.	C, R
UART1 FIFO Control Shadow Register	0x9B R	This register provides a means of reading UART1's FIFO Control Register. See the UART section of this specification.	C, R
UART2 FIFO Control Shadow Register	0x9C R	This register provides a means of reading UART2's FIFO Control Register. See the UART section of this specification.	C, R
KRST_GA20	0xF0 R/W	Bit[0] : ENAB_P92 = 0 : Port 92 Disabled = 1 : Port 92 Enabled Bits[7:0] : Reserved, set to zero.	

(1) Refer to the 8051 Section of this data sheet for descriptions of these registers.

Open Mode Registers

Included here is a concise table of all of the Open Mode accessible registers on the FDC37C957FR device. Open Mode registers can be accessed through the chips Open Mode Index and Data registers and are signified by the prefix IDX in front of their Hexidecimal address.

Table 81 - Open Mode Registers

	Open Mode Index Address	System R/W	8051 address (7F00 +)	8051 R/W	Power Source	VCC 1 POR	VCC2 POR	Zero Wait State (1)	Notes	See Page #
System-to-8051 Mailbox register 0	IDX 82h	R/W	08h	RC	VCC1	00		Y	2	192
8051-to-system Mailbox register 1	IDX 83h	RC	09h	R/W	VCC1	00		Y	3	192
Mailbox register [2-F]	IDX 84h-91h	R/W	0A-17h	R/W	VCC1	00h		Y		193
PWM0 register	IDX 92h	R/W	25h	R/W	VCC1	00h		Y		200
PWM1 register	IDX 93h	R/W	26h	R/W	VCC1	00h		Y		200
8051STP_CLK	IDX 94h	R/W	-----	-----	VCC1	00h		Y	5	168
HMEM	IDX 95h	R/W		-----	VCC1	03h	03h	Y	4, 5, 6	166
ESMI source register	IDX 96h	R/W	-----	-----	VCC2		00h	Y		193
ESMI mask register	IDX 97h	R/W	-----	-----	VCC2		00h	Y		193
IR data register	IDX 98h	R/W	-----	-----	VCC2		00h	Y		206
Force Disk Change register	IDX99h	R/W	-----	-----	VCC2		03h	Y		278
Floppy Data Rate Select Shadow register	IDX9A	R	-----	-----	VCC2		N/A	Y		278
UART1 FIFO Control Shadow register	IDX9B	R	-----	-----	VCC2		00h	Y		-----

	Open Mode Index Address	System R/W	8051 address (7F00 +)	8051 R/W	Power Source	VCC 1 POR	VCC2 POR	Zero Wait State (1)	Notes	See Page #
UART2 FIFO Control Shadow register	IDX9C	R	-----	-----	VCC2		00h	Y		-----

- 1) When accessed for a read or write by the System the registers mared with a "Y" will drive the Zero wait state pin active.
- 2) Interrupt is cleared when read by the 8051
- 3) Interrupt is cleared when read by the host
- 4) DESIGN NOTE: These registers can be on VCC1 or VCC2
- 5) When IRESET_OUT is cleared (written from "1" to"0") 8051STP_CLK bit D0 as well as HMEM bits D1 and D0 are all set to "1".
- 6) These registers are reset 500us to 1ms following the condition that BOTH VCC2 is valid and PWRGD is asserted given that the RTC is in normal mode and the VRT bit is set (refer to the RTC section). If the RTC is not in normal mode and/or the VRT bit is not set then these registers are reset within 10us following the condition that BOTH VCC2 is valid and PWRGD is asserted.

System Shadow Registers

The FDC37C957FR makes the following Control Registers readable by supplying a set of Index Registers accessible either through Logical Device 7 when in Confuration State or through the Open Mode Index and Data registers when in Run State.

	Sys. index	Sys R/W	8051 address (7F00+)	8051 R/W	Power Source	VCC1 POR	VCC2 POR	Zero Wait State (9)	Notes
Force Diskchange	IDX99	R	-----	N/A	VCC2		03h		-----
Floppy Data Rate Select shadow register	IDX9A	R	-----	N/A	VCC2		N/A		-----
UART1 FIFO Control Shadow register	IDX9B	R	-----	N/A	VCC2		00h		
UART2 FIFO Control Shadow register	IDX9C	R	-----	N/A	VCC2		00h		

Floppy Data Rate Select shadow register

	D7	D6	D5	D4	D3	D2	D1	D0
8051 R/W	N/A	N/A	N/A	N/A	N/A	N/A	N/A	N/A
System R/W	R	R	R	R	R	R	R	R
Bit Def	Soft Reset	Power Down	0	PRECOM P 2	PRECOM P 1	PRECOM P 0	Data Rate Select 1	Data Rate Select 0

Note: D1 and D0 are updated by a write to the Floppy Data Rate or CCR registers. Bits D7-D2 are updated by a write to the Floppy Data Rate register only.

Force Diskchange

	D7-D2	D1	D0
System R/W	R	R/W	R/W
Bit Def	Reserved	1 = Force a diskchange indication when the DIR register (of the Floppy controller) is read, gated with Drive Select 0 or 1. These bits can be written to a "1" but are not clear-able by the software. These bits are reset when nSTEP input is active with the proper drive select to the drive occurs. D0 is cleared on nSTEP and Drive Select 0; D1 is cleared on nSTEP and Drive Select 1.	

Equivalent logic : when read DIR Bit-7 == (Drive_Sel_0 & D0) OR (Drive_Sel_1 & D1) OR DSK_CHG

Typical Sequence of Configuration Operation

1. At VCC2 power-up, all logical device configuration registers are set to their internal default state.
2. The chip enters the RUN State, and is ready to be placed into Configuration State.
3. Place the chip into the Configuration State. Once the chip enters into the Configuration State the auto Config ports are enabled.
4. The system sets the logical device information and activates desired logical devices through the chips INDEX and DATA ports.
5. The system sends other commands.
6. Exit the Configuration State. The chip returns to the RUN State.

Note : Only two States are defined (Run and Configuration). In the Run State the chip will always be ready to enter the Configuration State.

APPENDIX A (Configuration Section)

665GT FDC Core Modifications

1. FDC DMA Mode defaults to Non-Burst Mode
2. FDC Core command to handle Density Select function. Implement to simplify support of 3-Mode drives for users/customers

Drive Rate Table		Data Rate		Data Rate		DENSEL (1)	DRATE (1)	
DRT1	DRT0	Sel 1	Sel 0	MFM	FM		1	0
0	0	1	1	1Meg	---	1	1	1
0	0	0	0	500	250	1	0	0
0	0	0	1	300	150	0	0	1
0	0	1	0	250	125	0	1	0
0	1	1	1	1Meg	---	1	1	1
0	1	0	0	500	250	1	0	0
0	1	0	1	500	250	0	0	1
0	1	1	0	250	125	0	1	0
1	0	1	1	1Meg	---	1	1	1
1	0	0	0	500	250	1	0	0
1	0	0	1	2Meg	---	0	0	1
1	0	1	0	250	125	0	1	0

Drive Rate Table (Recommended)

00 = Regular drives and 2.88 vertical format

00 = DENSEL, DRATE1 and DRATE0 map onto output pins DRVDEN0 and DRVDEN1

DT0	DT1	DRV DEN0 (1)	DRV DEN1 (1)	Drive Type
0	0	DENSEL	DRATE0	4/2/1 MB 3.5" 2/1.6 MB 5.25" (33 MODE)
0	1	DRATE1	DRATE0	
1	0	nDENSEL	DRATE0	
1	1	DRATE0	DRATE1	

For each of the following registers in the configuration data space, one for each drive.

D7	D6	D5	D4	D3	D2	D1	D0
0	PTS	0	DRT1	DRT0	0	DT0	DT1

PTS = 0 Use Precompensation
= 1 No Precompensation

DTx = Drive Type select

DRTx = Data Rate Table select

(1) DENSEL, DRATE1 and DRATE0 map onto three output pins DRV DEN0 and DRV DEN1.

IRQ and DMA Enable and Disable

By default, the controller enables the DMA for both drives. The DMA is disabled by setting the DMAEN bit in the DR0 and DR1 registers.

Logical Device 0 (FDC)

For the following cases, the IRQ and DACK used by the FDC are disabled (high impedance), i.e., will

- 1) Digital Output Register (Base+2) bit D3 (DMAEN) set to "0".
- 2) The FDC is in power down (disabled).

Logical Device 5 (Serial Port1)

Interrupt Control Register High (MCR) Bit 2 (OUT2) - When OUT2 is a logic "0", then the serial port

Logical Device 5 (Serial Port2/USART)

Interrupt is disabled when:

Modem Control Register (MCR) bit-2 (OUT2) - When OUT2 is a logic "0", then Logical Device 5's interrupt is forced to a high impedance state, i.e., disabled. This applies to all UART/IR modes of operation.

DRQ is disabled when:

USRT Configuration Register B bit-0 (DMA Enable) - When the DMA Enable bit is a logic "0", then logical device 5's DRQ pin is forced to a high impedance state, i.e., disabled. When the DMA Enable bit is set to logic "1", then logical device 5's DRQ pin is active and drives low until the device issues a DMA Request at which point the DRQ pin drives high. This eliminates the need for an external pull-down resistor on the logical device 5's DRQ pin.

Parallel Port

SPP and EPP modes: Control Port (Base+2) bit D4 (IRQE) set to "0", IRQ is disabled (high impedance).

ECP Mode: (DMA) dmaEn from ecr register. See table.
IRQ - See table below.

Mode (From ecr Register)		IRQ Pin Controlled By:	PDREQ Pin Controlled By:
000	PRINTER	IRQE	dmaEn
001	SPP	IRQE	dmaEn
010	FIFO	(on)	dmaEn
011	ECP	(on)	dmaEn
100	EPP	IRQE	dmaEn
101	RES	IRQE	dmaEn
110	TEST	(on)	dmaEn
111	CONFIG	IRQE	dmaEn

Real Time Clock (RTC)

(refer to the RTC section of this spec)

Keyboard Controller (KYBD)

(refer to the Keyboard controller section of this spec)

ELECTRICAL SPECIFICATIONS

MAXIMUM GUARANTEED RATINGS *

Operating Temperature Range	0°C to +70°C
Storage Temperature Range	-55° to +150°C
Lead Temperature Range (soldering, 10 seconds).....	+325°C
Positive Voltage on any pin, with respect to Ground	V _{CC} +0.3V
Negative Voltage on any pin, with respect to Ground.....	-0.3V
Maximum V _{CC}	+7V

*Stresses above those listed above could cause permanent damage to the device. This is a stress rating only and functional operation of the device at any other condition above those indicated in the operation sections of this specification is not implied.

Note: When powering this device from laboratory or system power supplies, it is important that the Absolute Maximum Ratings not be exceeded or device failure can result. Some power supplies exhibit voltage spikes on their outputs when the AC power is switched on or off. In addition, voltage transients on the AC power line may appear on the DC output. If this possibility exists, it is suggested that a clamp circuit be used.

OPERATING CONDITIONS:

Symbol	Parameter	Min	Typ	Max	Units
Vcc0	Vbat for RTC		3.3/4.7		V
Vcc1	Vcc for 8051		4.7		V
Vcc2	System Vcc		5		V
32MHZ_IN	Serial Comm Clock		33		MHZ
XTAL1/XTAL2	RTC Crystal		32.768		KHZ
14.31MHZ_IN	System Clock		14.318		MHZ

POWER DISTRIBUTION:

Type 1 Device

	VCC0, "Vbat" (RTC)	VCC1 (8051 + other)	VCC2 (SI/O)
	0 volts	0 volts	0 volts
Powerdown <20ua	4.7 volts	4.7 volts	0 volts
Run on 4 Mhz	4.7 volts	4.7 volts	0 volts
Run on 4 Mhz	4.7 volts	4.7 volts	5 volts
14 Meg input	4.7 volts	4.7 volts	5 volts

Type 2 Device

	VCC0, "Vbat" (RTC)	VCC1 (8051 + other)	VCC2 (SI/O)
	0 volts	0 volts	0 volts
RTC only <1ua	3.3 volts	0 volts	0 volts
Powerdown <20ua	4.7 volts	4.7 volts	0 volts
Run on 4 Mhz	4.7 volts	4.7 volts	0 volts
Run on 4 Mhz	4.7 volts	4.7 volts	5 volts
14 Meg input	4.7 volts	4.7 volts	5 volts

VCC2 < 3.7V ; lock-out host

VCC1 < 2.5V ; lock-out 8051

Type 1 Device: Vcc0 & Vcc1 tied together and sourced by main battery supply.

Type 2 Device: Vcc0 connected to Vbat.
Vcc1 connected to main battery supply.

Vcc2 is switched supply from either main battery or AC if plugged in.

DC SPECIFICATIONS

DC ELECTRICAL CHARACTERISTICS ($T_A = 0^\circ\text{C} - 70^\circ\text{C}$, $V_{CC} = +5.0\text{ V} \pm 10\%$)

PARAMETER	SYMBOL	MIN	TYP	MAX	UNITS	COMMENTS
I Type Input Buffer						
Low Input Level	V_{ILI}			0.8	V	TTL Levels
High Input Level	V_{IHI}	2.0			V	
IS Type Input Buffer						
Low Input Level	V_{ILIS}			0.8	V	Schmitt Trigger
High Input Level	V_{IHIS}	2.2			V	Schmitt Trigger
Schmitt Trigger Hysteresis	V_{HYS}		250		mV	
ISP Type Input Buffer with 90 μA weak pull-up						
Low Input Level	V_{ILIS}			0.8	V	Schmitt Trigger
High Input Level	V_{IHIS}	2.2			V	Schmitt Trigger
Schmitt Trigger Hysteresis	V_{HYS}		250		mV	
I _{CLK} Input Buffer						
Low Input Level	V_{ILCK}			0.4	V	
High Input Level	V_{IHCK}	3.0			V	
O _{CLK2} Crystal Oscillator Output I _{CLK2} Crystal Oscillator Input	Use a 32 KHz parallel resonant crystal oscillator. The load capacitors are seen by the crystal as two capacitors in series and should be approximately 2 times the C_o of the actual crystal used ($C1=2C_o$). For example, a 7.5pF crystal should use two 15pF capacitors for proper loading. The 1 Meg reg resistor (see .6 μA TLM) creates a very low current to bias the XTAL1 input to ground and shunt any extraneous DC offset.					

PARAMETER	SYMBOL	MIN	TYP	MAX	UNITS	COMMENTS
Input Leakage (All I and IS buffers except PWRGD & VCC1_PWRGD)	I_{IL}	-10		+10	μA	$V_{IN} = 0$
Low Input Leakage	I_{IH}	-10		+10	μA	$V_{IN} = V_{CC}$
High Input Leakage						
Input Current PWRGD	I_{OH}		75	150	mA	$V_{IN} = 0$
O4 Type Buffer						
Low Output Level	V_{OL}			0.4	V	$I_{OL} = 4 \text{ mA}$
High Output Level	V_{OH}	2.4			V	$I_{OH} = -2 \text{ mA}$
Output Leakage	I_{OL}	-10		+10	μA	$V_{IN} = 0 \text{ to } V_{CC}$
OD4 Type Buffer						
Low Output Level	V_{OL}			0.4	V	$V_{OL} = 4 \text{ mA}$
Output Leakage	I_{OH}	-10		+10	μA	$I_{OH} = 0 \text{ to } V_{CC}$
O8 Type Buffer						
Low Output Level	V_{OL}			0.4	V	$I_{OL} = 8 \text{ mA}$
High Output Level	V_{OH}	2.4			V	$I_{OH} = -4 \text{ mA}$
Output Leakage	I_{OL}	-10		+10	μA	$V_{IN} = 0 \text{ to } V_{CC}$
OD8 Type Buffer						
Low Output Level	V_{OL}			0.4	V	$V_{OL} = 8 \text{ mA}$
Output Leakage	I_{OH}	-10		+10	μA	$I_{OH} = 0 \text{ to } V_{CC}$
O24 Type Buffer						
Low Output Level	V_{OL}			0.4	V	$I_{OL} = 24 \text{ mA}$
High Output Level	V_{OH}	2.4			V	$I_{OH} = -12 \text{ mA}$
Output Leakage	I_{OL}	-10		+10	mA	$V_{IN} = 0 \text{ to } V_{CC}$

PARAMETER	SYMBOL	MIN	TYP	MAX	UNITS	COMMENTS
OD24 Type Buffer						
Low Output Level	V_{OL}			0.4	V	$I_{OL} = 24 \text{ mA}$
High Output Level	V_{OH}	2.4			V	$I_{OH} = -50 \text{ mA}$
Output Leakage	I_{OL}	-10		+10	mA	$V_{IN} = 0 \text{ to } V_{CC}$
Supply Current Active	I_{CC}			TBD	mA	All outputs open.
Supply Current Standby	I_{CSBY}		TBD	TBD	μA	

AC SPECIFICATIONS

AC TEST CONDITIONS

CAPACITANCE $T_A = 25^\circ\text{C}$; $f_c = 1\text{MHz}$; $V_{CC} = 5\text{V}$

PARAMETER	SYMBOL	LIMITS			UNIT	TEST CONDITION
		MIN	TYP	MAX		
Clock Input Capacitance	C_{IN}			20	pF	All pins except pin under test tied to AC ground
Input Capacitance	C_{IN}			10	pF	
Output Capacitance	C_{OUT}			20	pF	

TIMING DIAGRAMS

Load Capacitance

For the Timing Diagrams shown, the following capacitive loads are used.

Table 82 - Capacitive Loading

NAME	CAPACITANCE TOTAL (pF)	NAME	CAPACITANCE TOTAL (pF)
SD[0:7]	240	nALF	240
IOCHRDY	240	nSTB	240
IRQ[1,3,4, 6-8, 12]	120	EMCLK	240
nSMI	120	EMDAT	240
DRQ[0:1]	120	IMCLK	240
32KHz_OUT	50	IMDAT	240
24MHz_OUT	50	KBDAT	240
nWGATE	240	KBCLK	240
nWDATA	240	PS2DAT	240
nHDSEL	240	PS2CLK	240
nDIR	240	nNOWS	240
nSTEP	240	FAD[0:7]	100
nDS[1:0]	240	FA[8:17]	100
nMTR[1:0]	240	nFRD	50
DRV DEN[1:0]	240	nFWR	50
TXD1	100	FALE	50
nRTS1	100	KSO[0:13]	100
nDTR1	100	SIRQ	150
TXD2	100	FPD	50
nRTS2	100	AB_DATA	100
nDTR2	100	AB_CLK	100
PD[0:7]	240	IRTX	50
nSLCTIN	240	PWM[0:1]	50
nINIT	240	nRESET_OUT	240

Diagrams

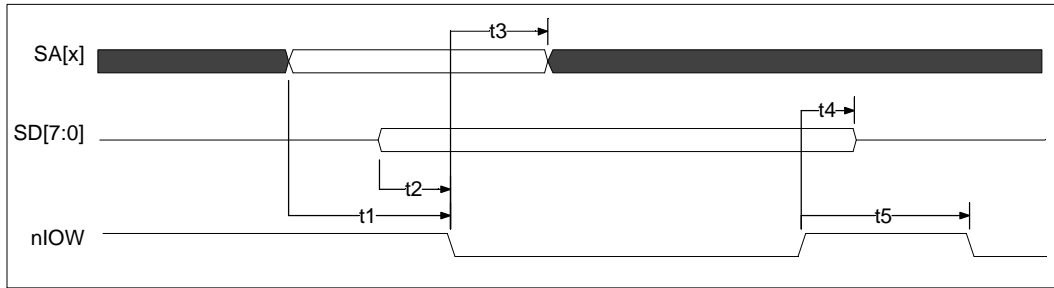


Figure 19 - FASTGATEA20 IOW TIMING

In order to use the FastGATEA20 speed-up mechanism, data must be available by the falling edge of nIOW.

Table 83 - FastGATEA20 IOW Timing Parameters

NAME	DESCRIPTION	MIN	TYP	MAX	UNITS
t1	SA[x] Valid to nIOW Asserted	10			ns
t2	SD[7:0] Valid to nIOW Asserted	0			ns
t3	nIOW Asserted to SA[x] Invalid	10			ns
t4	nIOW Deasserted to SD[7:0] Invalid	0			ns
t5	nIOW Deasserted to nIOW or nIOR Asserted	100			ns

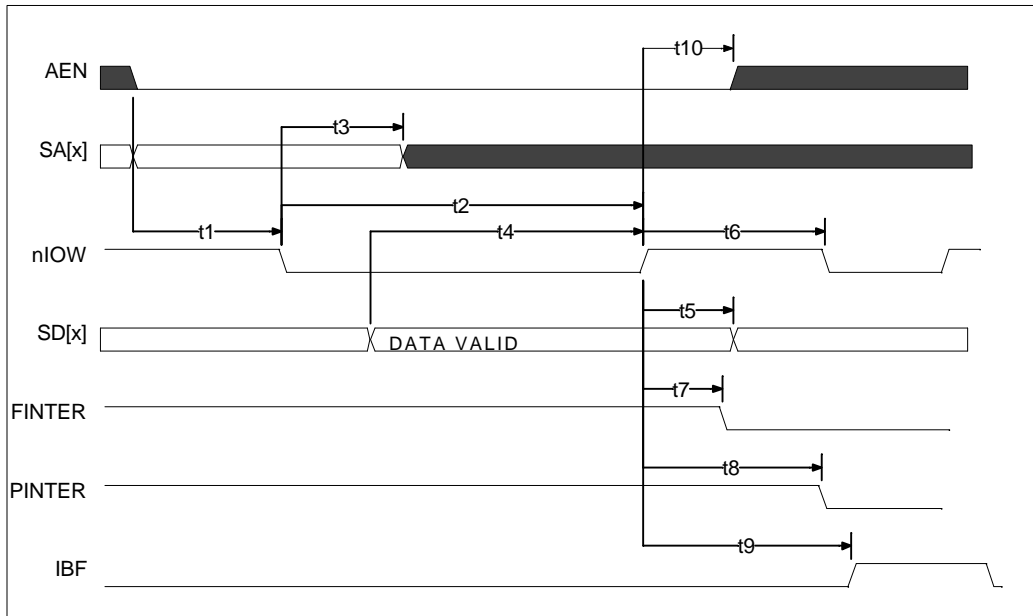


FIGURE 20 - ISA IO WRITE

Table 84 - ISA IO Write Parameters

NAME	DESCRIPTION	MIN	TYP	MAX	UNITS
t1	SA[x] and AEN valid to nIOW asserted	10			ns
t2	nIOW asserted to nIOW deasserted	80			ns
t3	nIOW asserted to SA[x] invalid	10			ns
t4	SD[x] Valid to nIOW deasserted	45			ns
t5	SD[x] Hold from nIOW deasserted	0			ns
t6	nIOW deasserted to nIOW asserted	25			ns
t7	nIOW deasserted to FINTR deasserted (Note 1)			55	ns
t8	nIOW deasserted to PINTER deasserted (Note 2)			260	ns
t9	IBF (internal signal) asserted from nIOW deasserted			40	ns
t10	nIOW deasserted to AEN invalid	10			ns

Note 1: FINTR refers to the IRQ used by the floppy disk logical device.

Note 2: PINTER refers to the IRQ used by the parallel port logical device.

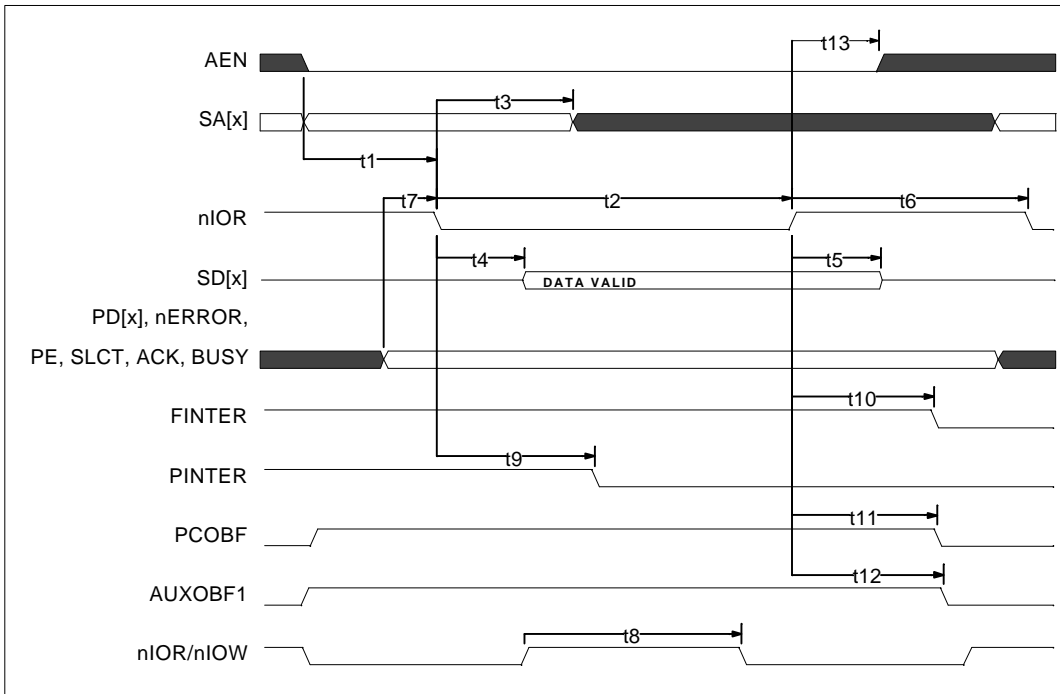


FIGURE 21 - ISA IO READ CYCLE

Table 85 - ISA IO Read Timing Parameters

NAME	DESCRIPTION	MIN	TYP	MAX	UNITS
t1	SA[x] and AEN valid to nIOR asserted	10			ns
t2	nIOR asserted to nIOR deasserted	50			ns
t3	nIOR asserted to SA[x] invalid	10			ns
t4	nIOR asserted to Data Valid			50	ns
t5	Data Hold/float from nIOR deasserted	10		25	ns
t6	nIOR deasserted to nIOR asserted	25			ns
t8	nIOR asserted after nIOW deasserted	80			ns
t8	nIOR/nIOR, nLOW/nIOW transfers from/to ECP FIFO	150			ns
t7	Parallel Port setup to nIOR asserted			20	ns
t9	nIOR asserted to PINTER deasserted			55	ns
t10	nIOR deasserted to FINTER deasserted			260	ns
t11	nIOR deasserted to PCOBF deasserted (Notes 3,5)			80	ns
t12	nIOR deasserted to AUXOBF1 deasserted (Notes 4,5)			80	ns
t13	nIOR deasserted to AEN invalid	10			ns

Note 1: FINTR refers to the IRQ used by the floppy disk.

Note 2: PINTR refers to the IRQ used by the parallel port.

Note 3: PCOBF is used for the Keyboard IRQ.

Note 4: AUXOBF1 is used for the Mouse IRQ.

Note 5: Applies only if deassertion is performed in hardware.

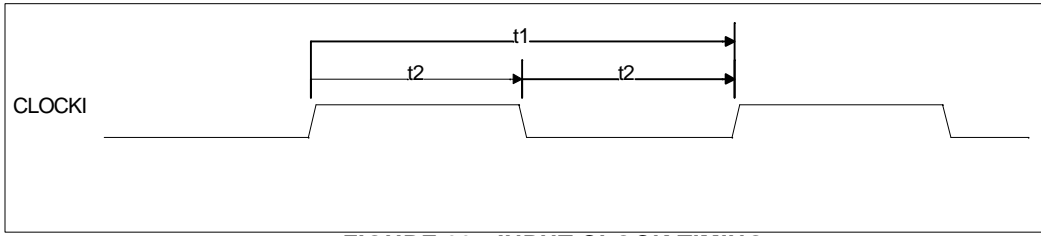


FIGURE 22 - INPUT CLOCK TIMING

Table 86 - Input Clock Timing Parameters

NAME	DESCRIPTION	MIN	TYP	MAX	UNITS
t1	Clock Cycle Time for 14.318MHZ			65	ns
t2	Clock High Time/Low Time for 14.318MHz	25			ns
t _r , t _f	Clock Rise Time/Fall Time (not shown)			5	ns

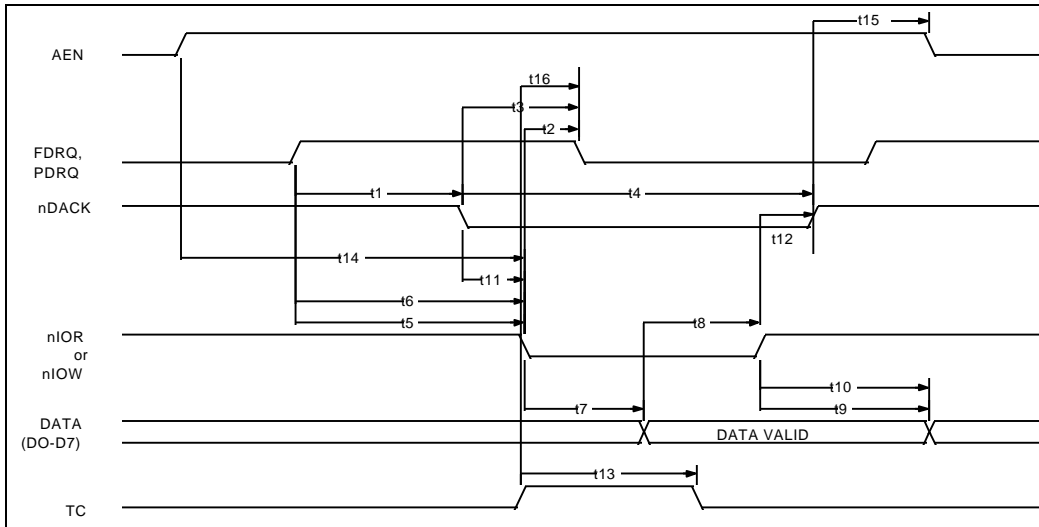


FIGURE 23 - DMA TIMING (SINGLE TRANSFER MODE)

Table 87 - DMA Timing (Single Transfer Mode) Parameters

NAME	DESCRIPTION	MIN	TYP	MAX	UNITS
t1	nDACK Delay Time from FDRQ High	0			ns
t2	DRQ Reset Delay from nIOR or nIOW			100	ns
t3	FDRQ Reset Delay from nDACK Low			100	ns
t4	nDACK Width	150			ns
t5	nIOR Delay from FDRQ High	0			ns
t6	nIOW Delay from FDRQ High	0			ns
t7	Data Access Time from nIOR Low			100	ns
t8	Data Set Up Time to nIOW High	40			ns
t9	Data to Float Delay from nIOR High	10		60	ns
t10	Data Hold Time from nIOW High	10			ns
t11	nDACK Set Up to nIOW/nIOR Low	5			ns
t12	nDACK Hold after nIOW/nIOR High	10			ns
t13	TC Pulse Width	60			ns
t14	AEN Set Up to nIOR/nIOW	40			ns
t15	AEN Hold from nDACK	10			ns
t16	TC Active to PDRQ Inactive			100	ns

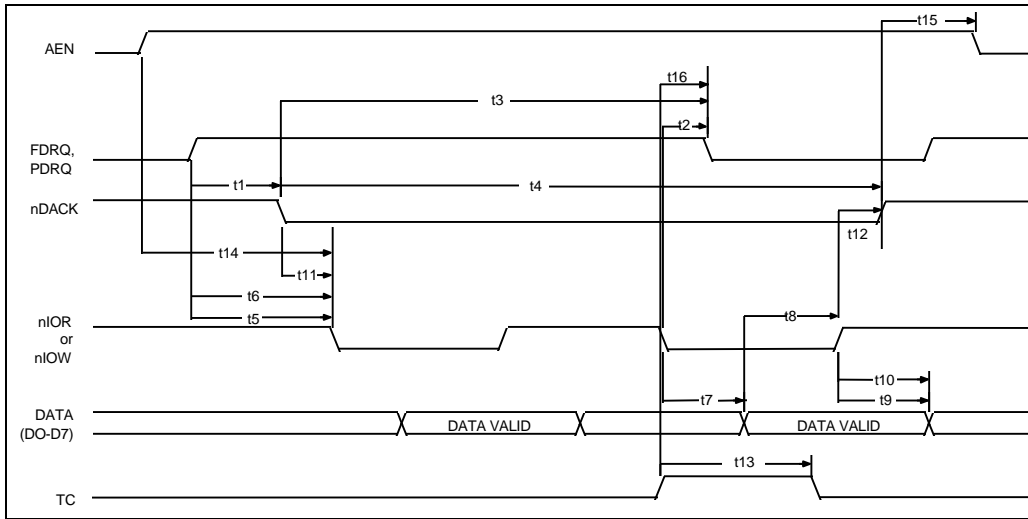


FIGURE 24 - DMA TIMING (BURST TRANSFER MODE)

Table 88 - DMA Timing (Burst Transfer Mode) Parameters

NAME	DESCRIPTION	MIN	TYP	MAX	UNITS
t1	nDACK Delay Time from FDRQ High	0			ns
t2	DRQ Reset Delay from nIOR or nIOW			100	ns
t3	FDRQ Reset Delay from nDACK Low			100	ns
t4	nDACK Width	150			ns
t5	nIOR Delay from FDRQ High	0			ns
t6	nIOW Delay from FDRQ High	0			ns
t7	Data Access Time from nIOR Low			100	ns
t8	Data Set Up Time to nIOW High	40			ns
t9	Data to Float Delay from nIOR High	10		60	ns
t10	Data Hold Time from nIOW High	10			ns
t11	nDACK Set Up to nIOW/nIOR Low	5			ns
t12	nDACK Hold after nIOW/nIOR High	10			ns
t13	TC Pulse Width	60			ns
t14	AEN Set Up to nIOR/nIOW	40			ns
t15	AEN Hold from nDACK	10			ns
t16	TC Active to PDRQ Inactive			100	ns

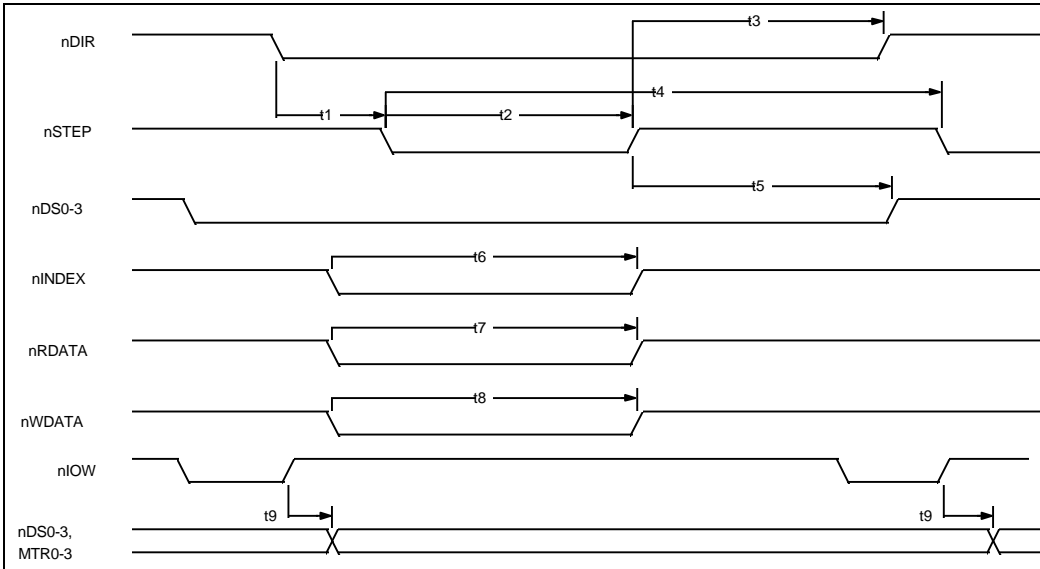


FIGURE 25 - FLOPPY DISK DRIVE TIMING (AT MODE)

Table 89 - Floppy Disk Drive Timing (AT Mode) Parameters

NAME	DESCRIPTION	MIN	TYP	MAX	UNITS
t1	nDIR Set Up to STEP Low		4		X*
t2	nSTEP Active Time Low		24		X*
t3	nDIR Hold Time after nSTEP		96		X*
t4	nSTEP Cycle Time		132		X*
t5	nDS0-3 Hold Time from nSTEP Low		20		X*
t6	nINDEX Pulse Width		2		X*
t7	nRDATA Active Time Low		40		ns
t8	nWDATA Write Data Width Low		.5		Y*
t9	nDS0-3, MTR0-3 from End of nIOW		25		ns

*X specifies one MCLK period and Y specifies one WCLK period.

MCLK = Controller Clock to FDC

WCLK = 2 x Data Rate

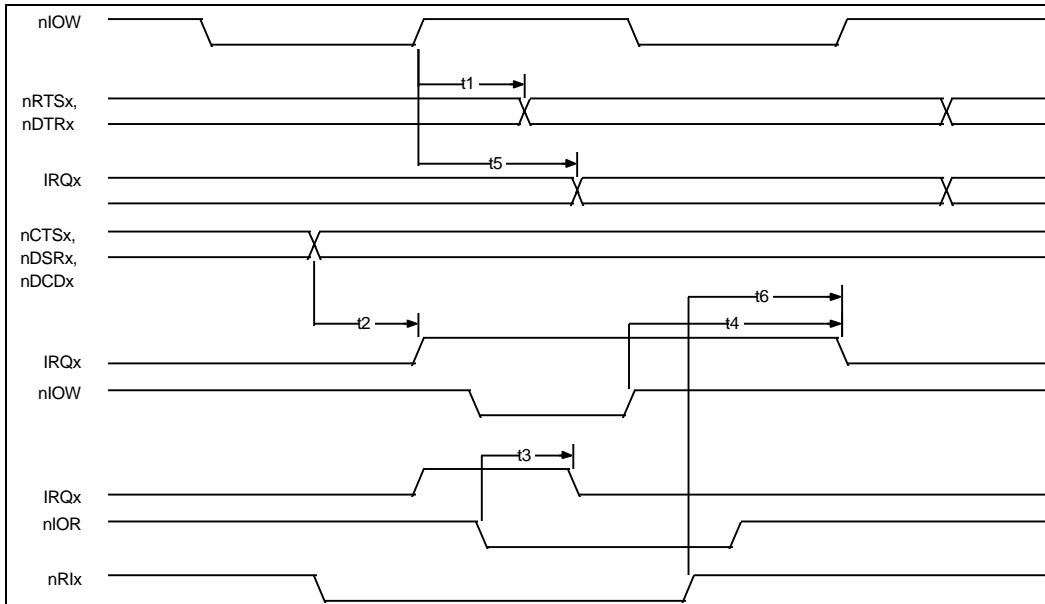


FIGURE 26 - SERIAL PORT TIMING

Table 90 - Serial Port Timing Parameters

NAME	DESCRIPTION	MIN	TYP	MAX	UNITS
t1	nRTSx, nDTRx Delay from nIOW			200	ns
t2	IRQx Active Delay from nCTSx, nDSRx, nDCDx			100	ns
t3	IRQx Inactive Delay from nIOR (Leading Edge)			120	ns
t4	IRQx Inactive Delay from nIOW (Trailing Edge)			125	ns
t5	IRQx Inactive Delay from nIOW	10		100	ns
t6	IRQx Active Delay from nRIx			100	ns

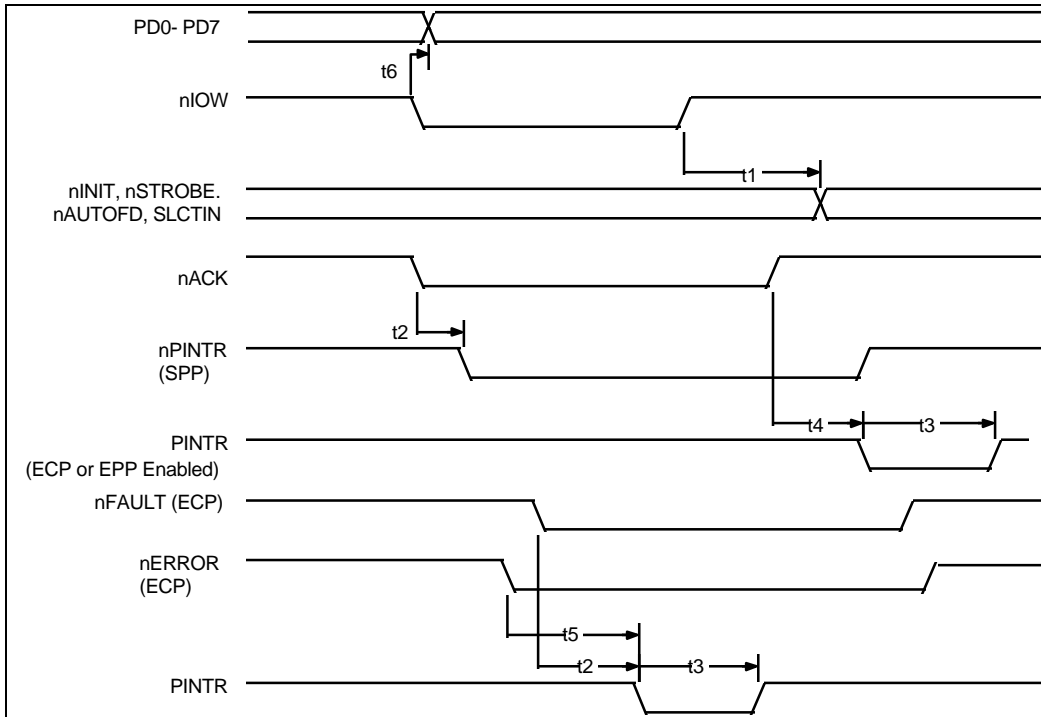


FIGURE 27 - PARALLEL PORT TIMING

Table 91 - Parallel Port Timing Parameters

NAME	DESCRIPTION	MIN	TYP	MAX	UNITS
t1	PD0-7, nINIT, nSTROBE, nAUTOFD Delay from nIOW			100	ns
t2	PINTR Delay from nACK, nFAULT			60	ns
t3	PINTR Active Low in ECP and EPP Modes	200		300	ns
t4	PINTR Delay from nACK			105	ns
t5	nERROR Active to PINTR Active			105	ns
t6	PD0 - PD7 Delay from IOW Active			100	ns

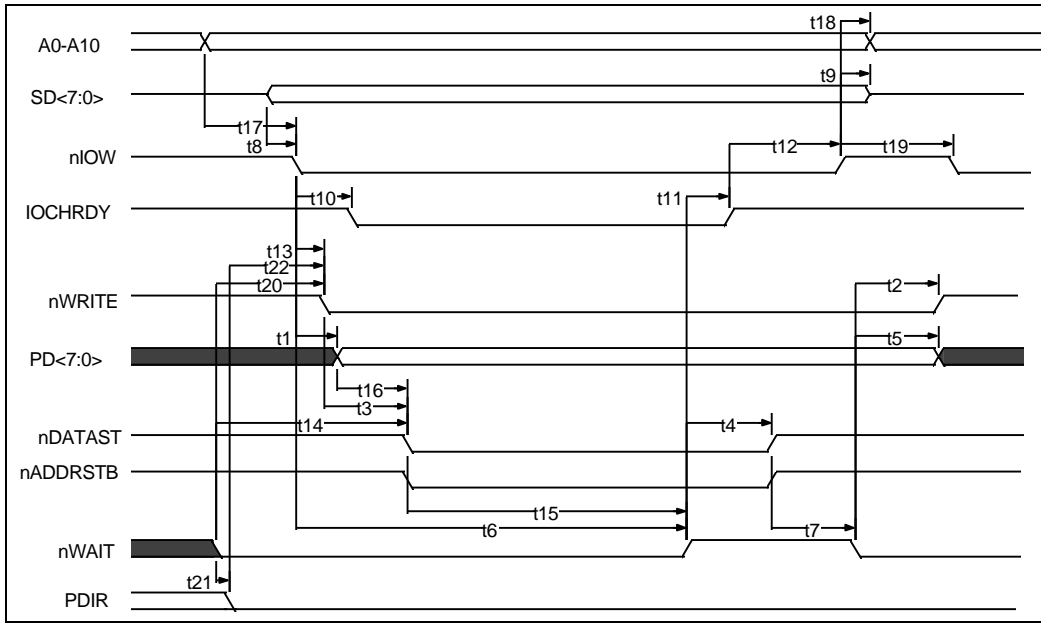


FIGURE 28 - EPP 1.9 DATA OR ADDRESS WRITE CYCLE

Table 92 - EPP 1.9 Data or Address Write Parameters

NAME	DESCRIPTION	MIN	TYP	MAX	UNITS
t1	nIOW Asserted to PDATA Valid	0		50	ns
t2	nWAIT Asserted to nWRITE Change (Note 1)	60		185	ns
t3	nWRITE to Command Asserted	5		35	ns
t4	nWAIT Deasserted to Command Deasserted (Note 1)	60		190	ns
t5	nWAIT Asserted to PDATA Invalid (Note 1)	0			ns
t6	Time Out	10		12	ms
t7	Command Deasserted to nWAIT Asserted	0			ns
t8	SDATA Valid to nIOW Asserted	10			ns
t9	nIOW Deasserted to DATA Invalid	0			ns
t10	nIOW Asserted to IOCHRDY Asserted	0		24	ns
t11	nWAIT Deasserted to IOCHRDY Deasserted (Note 1)	60		160	ns
t12	IOCHRDY Deasserted to nIOW Deasserted	10			ns
t13	nIOW Asserted to nWRITE Asserted	0		70	ns
t14	nWAIT Asserted to Command Asserted (Note 1)	60		210	ns
t15	Command Asserted to nWAIT Deasserted	0		10	ms
t16	PDATA Valid to Command Asserted	10			ns
t17	Ax Valid to nIOW Asserted	40			ns
t18	nIOW Asserted to Ax Invalid	10			ns
t19	nIOW Deasserted to nIOW or nIOR Asserted	40			ns
t20	nWAIT Asserted to nWRITE Asserted (Note 1)	60		185	ns
t21	nWAIT Asserted to PDIR Low	0			ns
t22	PDIR Low to nWRITE Asserted	0			ns

Note 1: nWAIT must be filtered to compensate for ringing on the parallel bus cable. WAIT is considered to have settled after it does not transition for a minimum of 50 nsec.

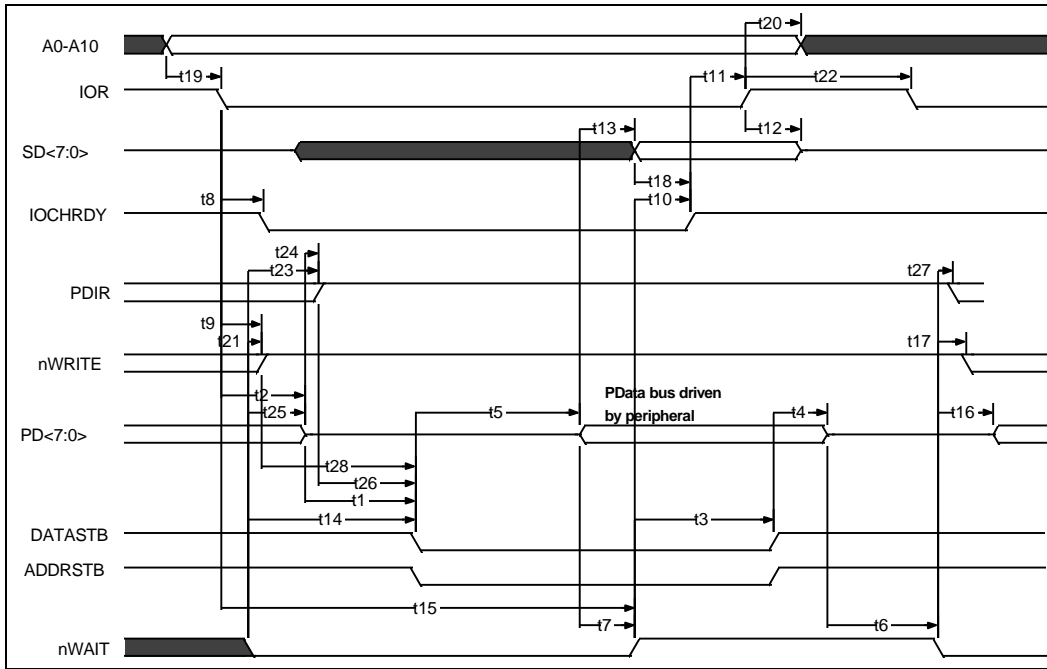


FIGURE 29 - EPP 1.9 DATA OR ADDRESS READ CYCLE

Table 93 - EPP 1.9 Data or Address Read Cycle Timing Parameters

NAME	DESCRIPTION	MIN	TYP	MAX	UNITS
t1	PDATA Hi-Z to Command Asserted	0		30	ns
t2	nIOR Asserted to PDATA Hi-Z	0		50	ns
t3	nWAIT Deasserted to Command Deasserted (Note 1)	60		180	ns
t4	Command Deasserted to PDATA Hi-Z	0			ns
t5	Command Asserted to PDATA Valid	0			ns
t6	PDATA Hi-Z to nWAIT Deasserted	0			ms
t7	PDATA Valid to nWAIT Deasserted	0			ns
t8	nIOR Asserted to IOCHRDY Asserted	0		24	ns
t9	nWRITE Deasserted to nIOR Asserted (Note 2)	0			ns
t10	nWAIT Deasserted to IOCHRDY Deasserted (Note 1)	60		160	ns
t11	IOCHRDY Deasserted to nIOR Deasserted	0			ns
t12	nIOR Deasserted to SDATA Hi-Z (Hold Time)	0		40	ns
t13	PDATA Valid to SDATA Valid	0		75	ns
t14	nWAIT Asserted to Command Asserted	0		195	ns
t15	Time Out	10		12	ms
t16	nWAIT Deasserted to PDATA Driven (Note 1)	60		190	ns
t17	nWAIT Deasserted to nWRITE Modified (Notes 1,2)	60		190	ns
t18	SDATA Valid to IOCHRDY Deasserted (Note 3)	0		85	ns
t19	Ax Valid to nIOR Asserted	40			ns
t20	nIOR Deasserted to Ax Invalid	10		10	ns
t21	nWAIT Asserted to nWRITE Deasserted	0		185	ns
t22	nIOR Deasserted to nIOW or nIOR Asserted	40			ns
t23	nWAIT Asserted to PDIR Set (Note 1)	60		185	ns
t24	PDATA Hi-Z to PDIR Set	0			ns
t25	nWAIT Asserted to PDATA Hi-Z (Note 1)	60		180	ns
t26	PDIR Set to Command	0		20	ns
t27	nWAIT Deasserted to PDIR Low (Note 1)	60		180	ns
t28	nWRITE Deasserted to Command	1			ns

Note 1: nWAIT is considered to have settled after it does not transition for a minimum of 50 ns.

Note 2: When not executing a write cycle, EPP nWRITE is inactive high.

Note 3: 85 is true only if t7 = 0.

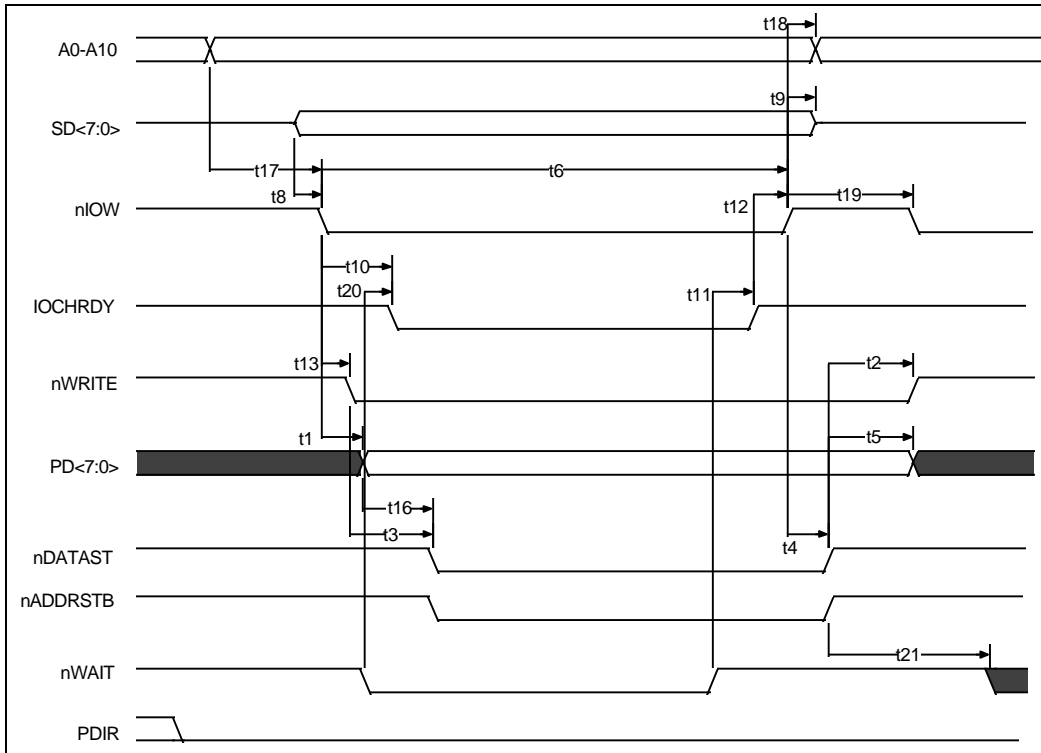


FIGURE 30 - EPP 1.7 DATA OR ADDRESS WRITE CYCLE

Table 94 - EPP 1.7 Data or Address Write Cycle Timing Parameters

NAME	DESCRIPTION	MIN	TYP	MAX	UNITS
t1	nIOW Asserted to PDATA Valid	0		50	ns
t2	Command Deasserted to nWRITE Change	0		40	ns
t3	nWRITE to Command	5		35	ns
t4	nIOW Deasserted to Command Deasserted (Note 2)			50	ns
t5	Command Deasserted to PDATA Invalid	50			ns
t6	Time Out	10		12	ms
t8	SDATA Valid to nIOW Asserted	10			ns
t9	nIOW Deasserted to DATA Invalid	0			ns
t10	nIOW Asserted to IOCHRDY Asserted	0		24	ns
t11	nWAIT Deasserted to IOCHRDY Deasserted			40	ns
t12	IOCHRDY Deasserted to nIOW Deasserted	10			ns
t13	nIOW Asserted to nWRITE Asserted	0		50	ns
t16	PDATA Valid to Command Asserted	10		35	ns
t17	Ax Valid to nIOW Asserted	40			ns
t18	nIOW Deasserted to Ax Invalid	10			ms
t19	nIOW Deasserted to nIOW or nIOR Asserted	100			ns
t20	nWAIT Asserted to IOCHRDY Deasserted			45	ns
t21	Command Deasserted to nWAIT Deasserted	0			ns

Note 1: nWRITE is controlled by clearing the PDIR bit to "0" in the control register before performing an EPP Write.

Note 2: The number is only valid if nWAIT is active when IOW goes active.

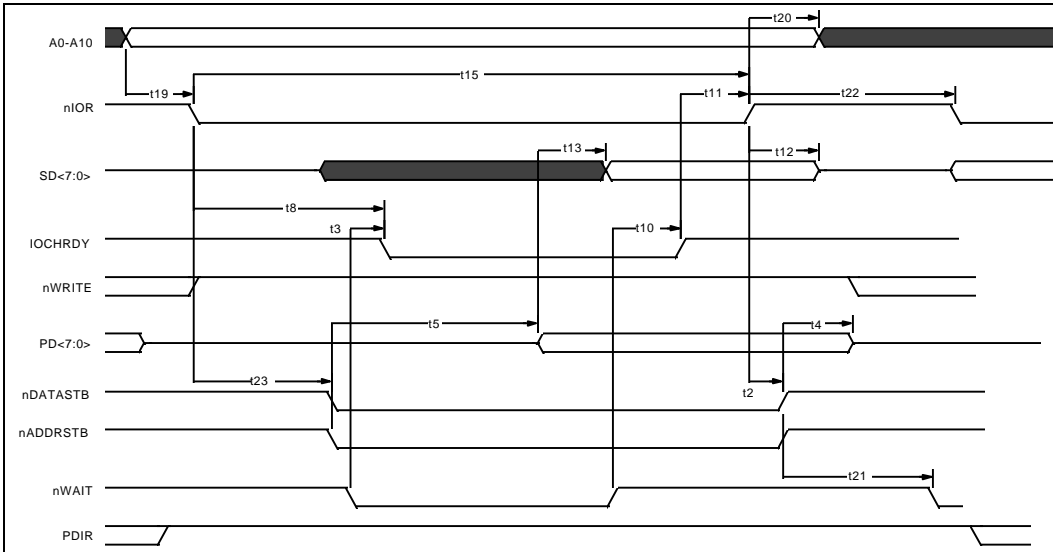


FIGURE 31 - EPP 1.7 DATA OR ADDRESS READ CYCLE

Table 95 - EPP 1.7 Data or Address Read Cycle Timing Parameters

NAME	DESCRIPTION	MIN	TYP	MAX	UNITS
t2	nIOR Deasserted to Command Deasserted			50	ns
t3	nWAIT Asserted to IOCHRDY Deasserted	0		40	ns
t4	Command Deasserted to PDATA Hi-Z	0			ns
t5	Command Asserted to PDATA Valid	0			ns
t8	nIOR Asserted to IOCHRDY Asserted			24	ns
t10	nWAIT Deasserted to IOCHRDY Deasserted			50	ns
t11	IOCHRDY Deasserted to nIOR Deasserted	0			ns
t12	nIOR Deasserted to SDATA High-Z (Hold Time)	0		40	ns
t13	PDATA Valid to SDATA Valid			40	ns
t15	Time Out	10		12	ms
t19	Ax Valid to nIOR Asserted	40			ns
t20	nIOR Deasserted to Ax Invalid	10			ns
t21	Command Deasserted to nWAIT Deasserted	0			ns
t22	nIOR Deasserted to nIOR or nIOR Asserted	40			ns
t23	nIOR Asserted to Command Asserted			55	ns

Note: WRITE is controlled by setting the PDIR bit to "1" in the control register before performing an EPP Read.

ECP PARALLEL PORT TIMING

Parallel Port FIFO (Mode 101)

The standard parallel port is run at or near the peak 500Kbytes/sec allowed in the forward direction using DMA. The state machine does not examine nACK, but begins the next transfer based on Busy. Refer to figure 32.

ECP Parallel Port Timing

The timing is designed to allow operation at approximately 2.0 Mbytes/sec over a 15ft cable. If a shorter cable is used then the bandwidth will increase.

Forward-Idle

When the host has no data to send it keeps HostClk () high and the peripheral will leave PeriphClk (Busy) low.

Forward Data Transfer Phase

The interface transfers data and commands from the host to the peripheral using an interlocked PeriphAck and HostClk. The peripheral may indicate its desire to send data to the host by asserting nPeriphRequest.

The Forward Data Transfer Phase may be entered from the Forward-Idle Phase. While in the Forward Phase the peripheral may asynchronously assert the nPeriphRequest (nFault) to request that the channel be reversed. When the peripheral is not busy it sets PeriphAck (Busy) low. The host then sets HostClk (nStrobe) low when it is prepared to send data. The data must be stable for the specified setup time prior to the falling edge of HostClk. The peripheral then sets PeriphAck (Busy) high to acknowledge the handshake. The host then sets HostClk (nStrobe) high. The peripheral then accepts the data and sets PeriphAck (Busy) low, completing the transfer. This sequence is shown in figure 33.

The timing is designed to provide 3 cable round-trip times for data setup if Data is driven simultaneously with HostClk (nStrobe).

Reverse-Idle Phase - The peripheral has no data to send and keeps PeriphClk high. The host is idle and keeps HostAck low.

Reverse Data Transfer Phase - The interface transfers data and commands from the peripheral to the host using an interlocked HostAck and PeriphClk.

The Reverse Data Transfer Phase may be entered from the Reverse-Idle Phase. After the previous byte has been accepted the host sets HostAck (nALF) low. The peripheral then sets PeriphClk (nACK) low when it has data to send. The data must be stable for the specified setup time prior to the falling edge of PeriphClk. When the host is ready to accept a byte it sets HostAck (nALF) high to acknowledge the handshake. The peripheral then sets PeriphClk (nACK) high. After the host has accepted the data it sets HostAck (nALF) low, completing the transfer. This sequence is shown in figure 34.

Output Drivers

To facilitate higher performance data transfer, the use of balanced CMOS active drivers for critical signals (Data, HostAck, HostClk, PeriphAck, PeriphClk) are used ECP Mode. Because the use of active drivers can present compatibility problems in Compatible Mode (the control signals, by tradition, are specified as open-collector), the drivers are dynamically changed from open-collector to totem-pole. The timing for the dynamic driver change is specified in the IEEE 1284 Extended Capabilities Port Protocol and ISA Interface Standard, Rev. 1.14, July 14, 1996, available from Microsoft. The dynamic driver change must be implemented properly to prevent glitching the outputs.

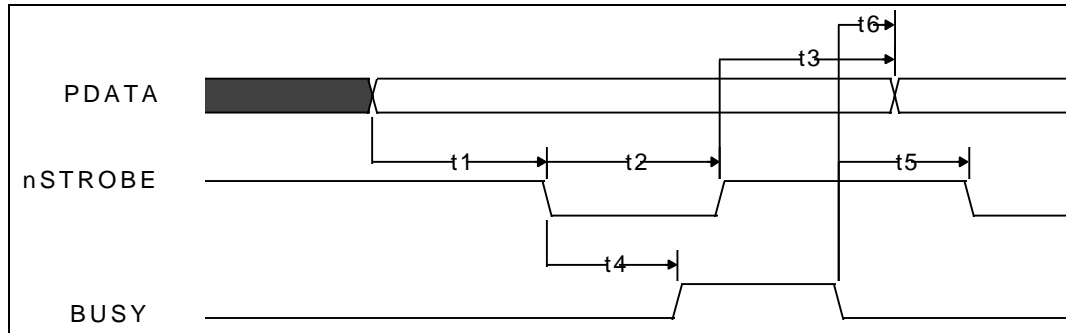


FIGURE 32 - PARALLEL PORT FIFO TIMING

Table 96 - Parallel Port FIFO Timing Parameters

NAME	DESCRIPTION	MIN	TYP	MAX	UNITS
t1	DATA Valid to nSTROBE Active	600			ns
t2	nSTROBE Active Pulse Width	600			ns
t3	DATA Hold from nSTROBE Inactive (Note 1)	450			ns
t4	nSTROBE Active to BUSY Active			500	ns
t5	BUSY Inactive to nSTROBE Active	680			ns
t6	BUSY Inactive to PDATA Invalid (Note 1)	80			ns

Note 1: The data is held until BUSY goes inactive or for time t3, whichever is longer. This only applies if another data transfer is pending. If no other data transfer is pending, the data is held indefinitely.

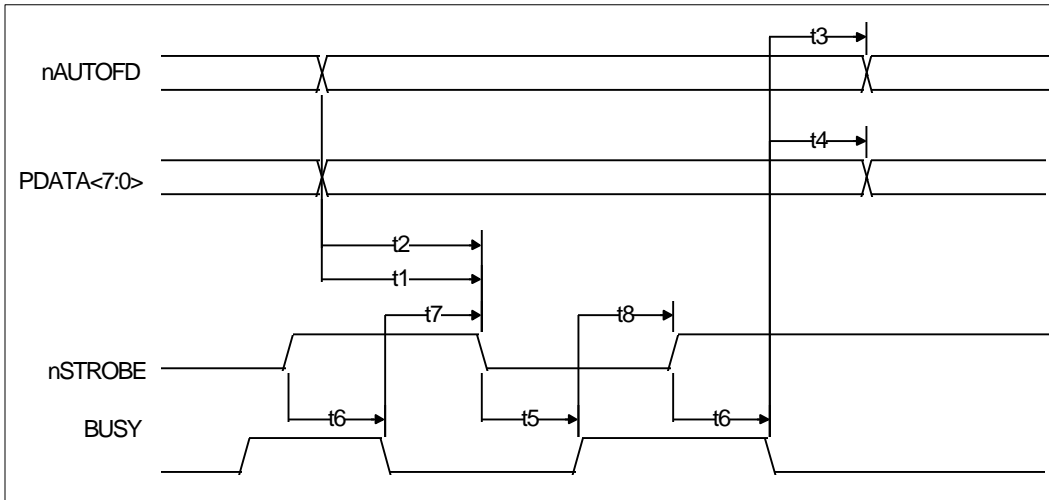


FIGURE 33 - ECP PARALLEL PORT FORWARD TIMING

Table 97 - ECP Parallel Port Forward Timing Parameters

NAME	DESCRIPTION	MIN	TYP	MAX	UNITS
t1	nAUTOFD Valid to nSTROBE Asserted	0		60	ns
t2	PDATA Valid to nSTROBE Asserted	0		60	ns
t3	BUSY Deasserted to nAUTOFD Changed (Notes 1,2)	80		180	ns
t4	BUSY Deasserted to PDATA Changed (Notes 1,2)	80		180	ns
t5	nSTROBE Deasserted to Busy Asserted	0			ns
t6	nSTROBE Deasserted to Busy Deasserted	0			ns
t7	BUSY Deasserted to nSTROBE Asserted (Notes 1,2)	80		200	ns
t8	BUSY Asserted to nSTROBE Deasserted (Note 2)	80		180	ns

Note 1: Maximum value only applies if there is data in the FIFO waiting to be written out.

Note 2: BUSY is not considered asserted or deasserted until it is stable for a minimum of 75 to 130 ns.

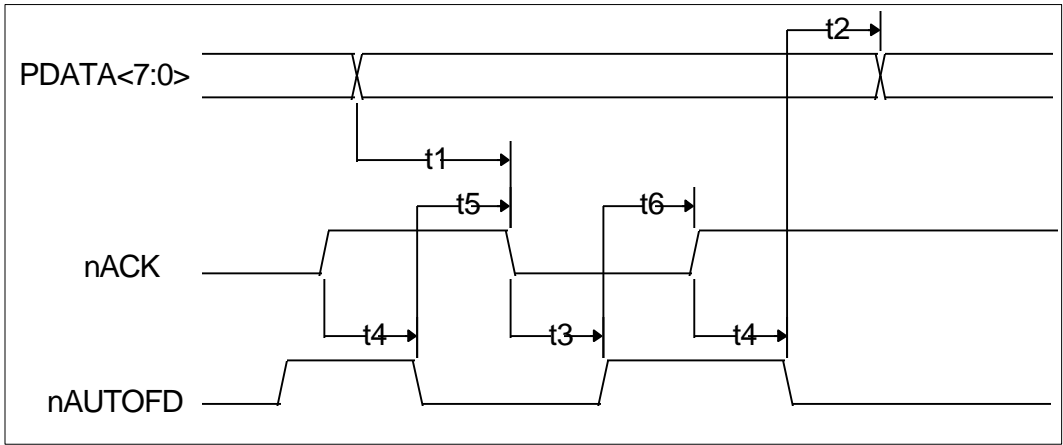


FIGURE 34 - ECP PARALLEL PORT REVERSE TIMING

Table 98 - ECP Parallel Port Reverse Timing

NAME	DESCRIPTION	MIN	TYP	MAX	UNITS
t1	PDATA Valid to nACK Asserted	0			ns
t2	nAUTOFD Deasserted to PDATA Changed	0			ns
t3	nACK Asserted to nAUTOFD Deasserted (Notes 1,2)	80		200	ns
t4	nACK Deasserted to nAUTOFD Asserted (Note 2)	80		200	ns
t5	nAUTOFD Asserted to nACK Asserted	0			ns
t6	nAUTOFD Deasserted to nACK Deasserted	0			ns

Note 1: Maximum value only applies if there is room in the FIFO and terminal count has not been received. ECP can stall by keeping nAUTOFD low.

Note 2: nACK is not considered asserted or deasserted until it is stable for a minimum of 75 to 130 ns.

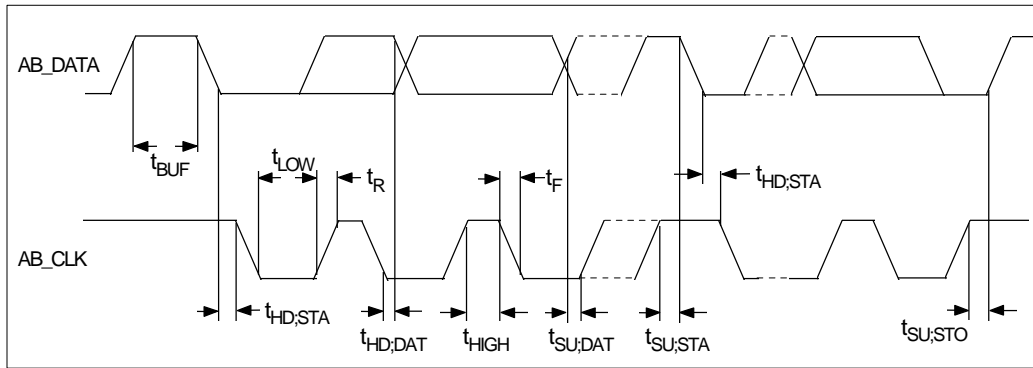


FIGURE 35 - ACCESS.BUS TIMING

Table 99 - Access.Bus Timing Parameters

SYMBOL	PARAMETER	MIN.	TYP.	MAX.	UNIT
f_{SCL}	SCL clock frequency	-	-	100	kHz
t_{BUF}	Bus free time	4.7	-	-	μs
$t_{SU,STA}$	START condition set-up time	4.7	-	-	μs
$t_{HD,STA}$	START condition hold time	4.0	-	-	μs
t_{LOW}	SCL LOW time	4.7	-	-	μs
t_{HIGH}	SCL HIGH time	4.0	-	-	μs
t_{R}	SCL and SDA rise time	-	-	1.0	μs
t_{F}	SCL and SDA fall time	-	-	0.3	μs
$t_{SU,DAT}$	Data set-up time	0.25	-	-	μs
$t_{HD,DAT}$	Data hold time	0	-	-	μs
$t_{SU,STO}$	STOP condition set-up time	4.0	-	-	μs

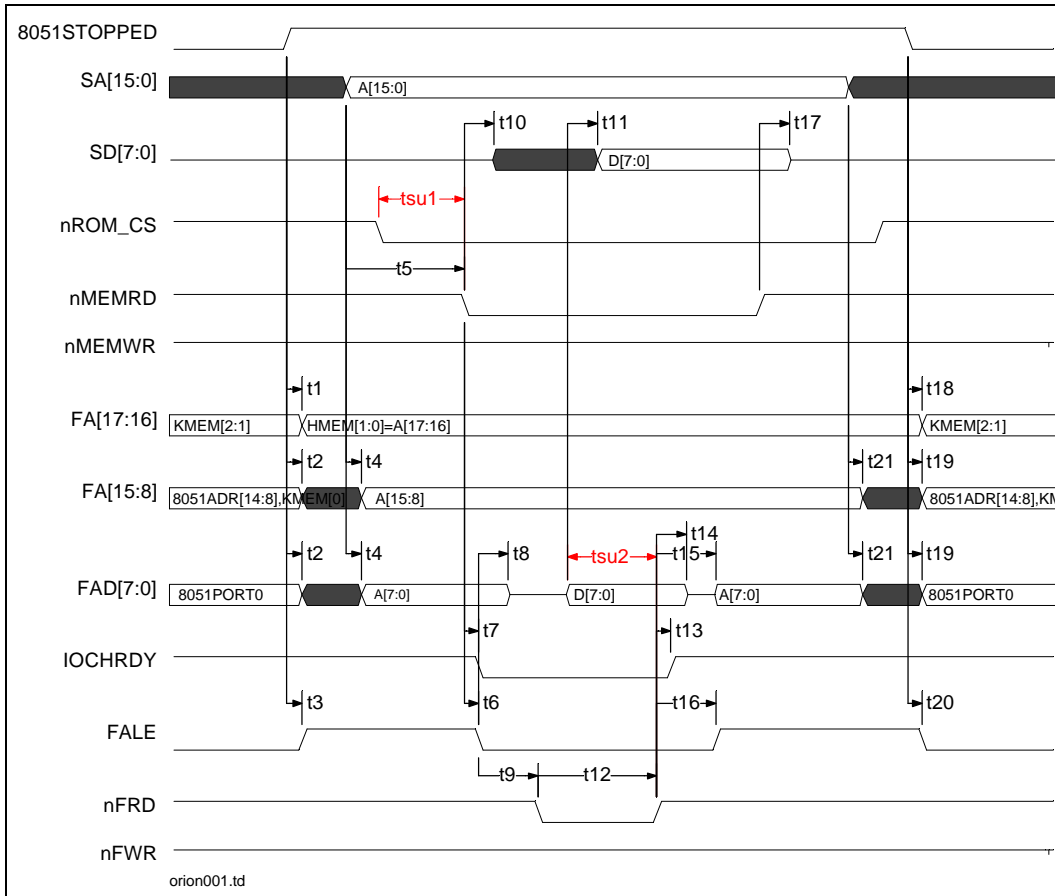


FIGURE 36 - HOST FLASH READ TIMING

Table 100 - Host Flash Read Timing Parameters

	Parameter	min	typ	max	units
t1	8051 stopped condition met to FA[17:16] sourced by internal register HMEM[1:0].			40	ns
t2	8051 stopped condition met to FA[15:0] driven by SA[15:0].			40	ns
t3	8051 stopped condition met to FALE asserted.			40	ns
t4	SA[15:0] valid to FA[15:0] valid propagation delay.			40	ns
t5	SA[15:0] valid to nMEMRD asserted.	88			ns
t6	nMEMRD asserted to FALE de-asserted.	21		63	ns
t7	nMEMRD asserted to IOCHRDY de-asserted. {note1}			24	ns
t8	FALE de-asserted to FAD[7:0] tristated.			42	ns
t9	FALE de-asserted to nFRD asserted.			84	ns
t10	nMEMRD asserted to SD[7:0] driven.			30	ns
t11	FAD[7:0] data valid to SD[7:0] data valid propagation delay			40	ns
t12	nFRD, Flash Read, asserted pulse width. {note2}	120 [3 sclk]		200 [5 sclk]	ns
t13	nFRD de-asserted to IOCHRDY asserted.	0		20	ns
t14	FAD[7:0] Data hold time from nFRD de-asserted.	0			ns
t15	SA[7:0] muxed onto FAD[7:0] following the de-assertion of nFRD.			42	ns
t16	nFRD de-asserted to FALE asserted for next cycle.			42	ns
t17	SD[7:0] data hold time from nMEMRD de-asserted.	10			ns
t18	8051 clock started condition met to FA[17:16] sourced by internal register KMEM[2:1].			40	ns
t19	8051 clock started condition met to FA[15] sourced by KMEM[0] and FA[14:0] driven by the 8051.			40	ns
t20	8051 clock started condition met to FALE de-asserted.			40	ns
t21	SA[15:0] invalid to FA[15:0] invalid propagation delay.			40	ns
tsu1	nROM_CS asserted to nMEMRD setup time.	20			ns
tsu2	FAD[7:0] Data valid to nFRD de-asserted setup time.	20			ns

Note 1: Systems designed prior to the EISA Specification, R3.12, which sample CHRDY on the rising edge of BCLK require that IOCHRDY is deasserted within 24ns.

Note 2: The Flash Read signal pulse width is programmable through a configuration register, the time values shown are for an internal sclk=24MHZ derived from the 14.318MHZ input.

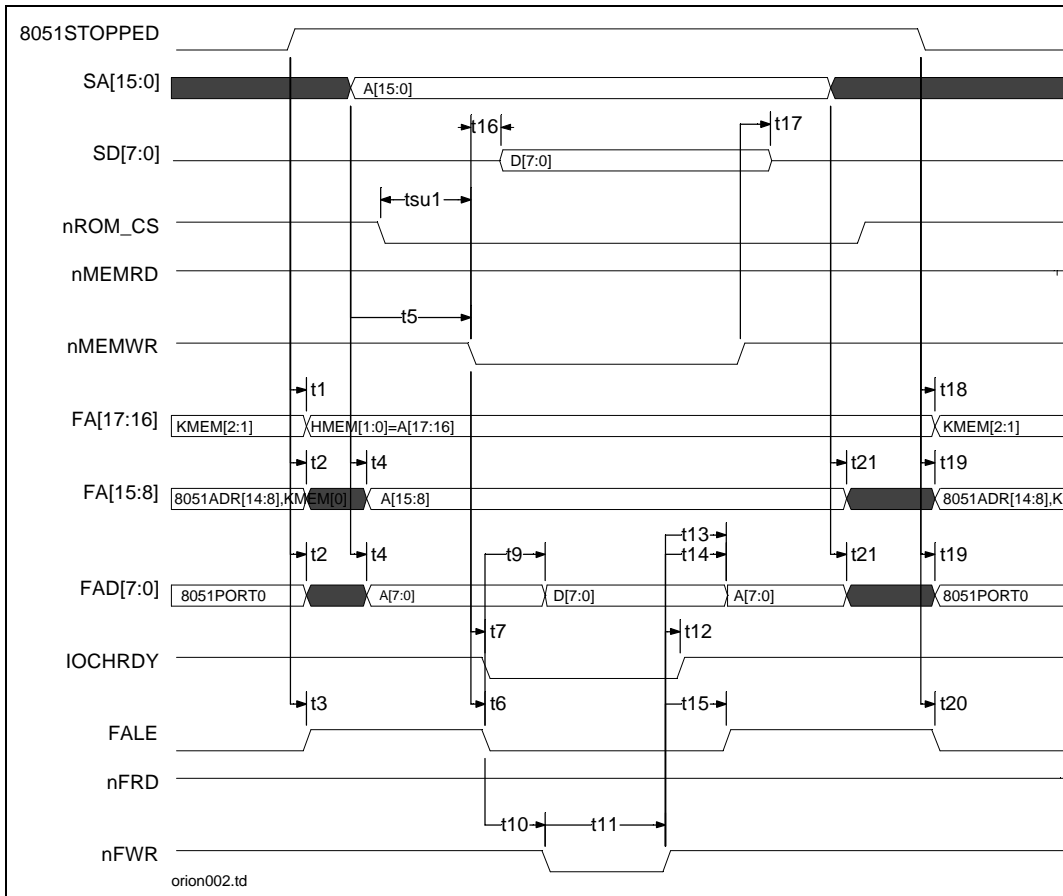


FIGURE 37 - HOST FLASH WRITE TIMING

Table 101 - Host Flash Write Timing Parameters

	Parameter	min	typ	max	units
t1	8051 stopped condition met to FA[17:16] sourced by internal register HMEM[2:1].			40	ns
t2	8051 stopped condition met to FA[15] driven by SA[15:0].			40	ns
t3	8051 stopped condition met to FALE asserted.			40	ns
t4	SA[15:0] valid to FA[15:0] valid propagation delay.			40	ns
t5	SA[15:0] valid to nMEMWR asserted.	88			ns
t6	nMEMWR asserted to FALE de-asserted.	21		63	ns
t7	nMEMWR asserted to IOCHRDY de-asserted. { note 1}			24	ns
t9	FALE de-asserted to SD[7:0] driven onto FAD[7:0]			42	ns
t10	FALE de-asserted to nFWR asserted.			84	ns
t11	nFWR, Flash Write, asserted pulse width. {note2}	120 [3 sclk]		200 [5 sclk]	ns
t12	nFWR de-asserted to IOCHRDY asserted.			20	ns
t13	FAD[7:0] Data hold time from nFWR de-asserted.			42	ns
t14	SA[7:0] muxed onto FAD[7:0] following the de-assertion of nFWR.			42	ns
t15	nFWR de-asserted to FALE asserted for next cycle.			42	ns
t16	nMEMWR asserted to SD[7:0] valid			-10	ns
t17	SD[7:0] data hold time from nMEMWR de-asserted.	10			ns
t18	8051 clock started condition met to FA[17:16] sourced by internal register KMEM[2:1].			40	ns
t19	8051 clock started condition met to FA[15] sourced by KMEM[0] and FA[14:0] driven by the 8051.			40	ns
t20	8051 clock started condition met to FALE de-asserted.			40	ns
t21	SA[15:0] invalid to FA[15:0] invalid propagation delay.			40	ns
tsu1	nROM_CS asserted to nMEMWR setup time.	20			ns

Note 1: Systems designed prior to the EISA Specification, R3.12, which sample CHRDY on the rising edge of BCLK require that IOCHRDY is deasserted within 24ns.

Note 2: The Flash Write signal pulse width is programmable through a configuration register, the time values shown are for an internal sclk=24MHZ derived from the 14.318MHZ input.

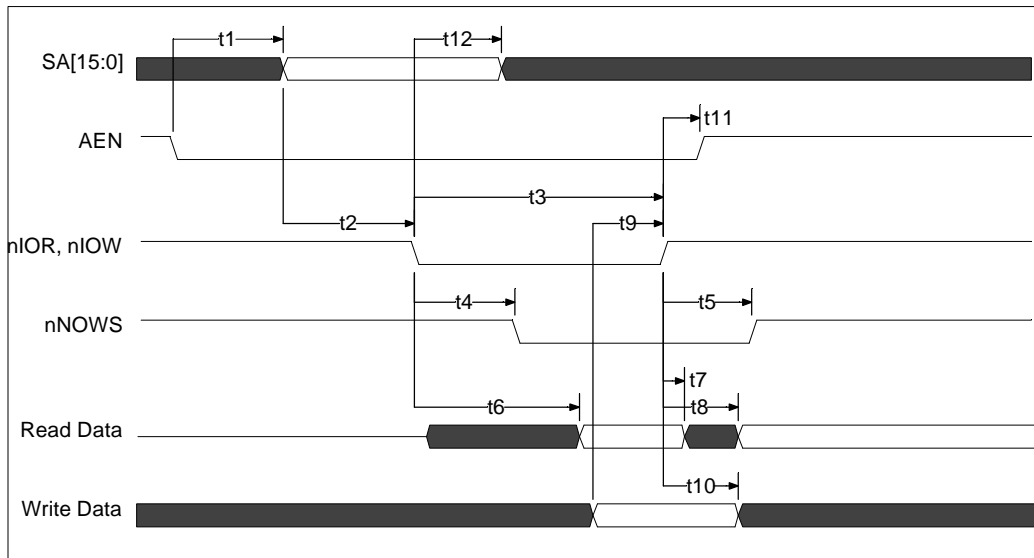


FIGURE 38 - ZERO WAIT-STATE (NOWS) TIMING

Table 102 - Zero Wait-State Timing Parameters

	Parameter	min	typ	max	units
t1	AEN valid before nIOR, nIOW asserted	10			ns
t2	SA[15:0] valid before nIOR asserted	10			ns
t3	nIOR, nIOW pulse width	80			ns
t4	nIOR, nIOW asserted to nNOWS asserted			50	ns
t5	nIOR, nIOW negated to nNOWS floated			35	ns
t6	nIOR asserted to read data valid			50	ns
t7	nIOR negated to read data invalid (hold time)	0			ns
t8	nIOR negated to data bus floated			24	ns
t9	Write data valid before nIOW deasserted	45			ns
t10	nIOW negated to write data invalid (hold time)	0			ns
t11	nIOR, nIOW negated to AEN invalid	10			ns
t12	nIOR, nIOW negated to SA[15:0] invalid	10			ns

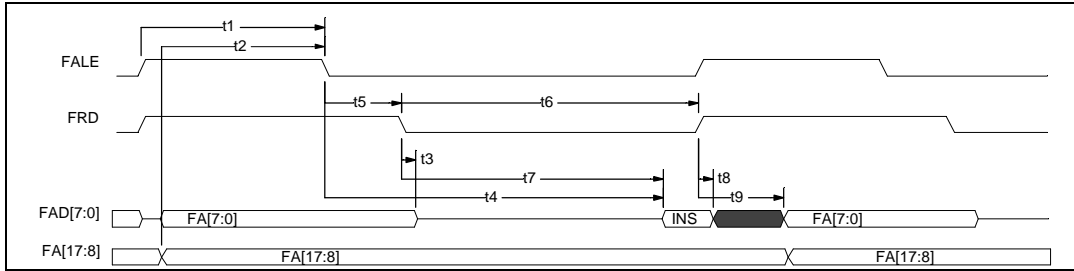


FIGURE 39 - 8051 FLASH PROGRAM FETCH TIMING

Table 103 - 8051 Flash Program Fetch Timing Parameters

	Parameter	min	typ	max	Oscillator Equation	units
t1	FALE Pulse Width.	127			2T-40	ns
t2	Address Valid to FALE low.	43			T-40	ns
t3	nFRD low to Address float.			10	10	ns
t4	FALE low to Valid Instruction in.			234	4T-100	ns
t5	FALE low to nFRD low.	53			T-30	ns
t6	nFRD Pulse Width.	205			3T-45	ns
t7	nFRD low to Valid Instruction in.	145			3T-105	ns
t8	Valid Instruction hold time following nFRD low-to-high transition.	0			0	ns
t9	Instruction float following nFRD low-to-high transition.			59	T-25	ns

Min and Max delays shown for an 8051 clock of 12MHz, to calculate timing delays for other clock frequencies use the Oscillator Equations, where $T=1/F_{clk}$.

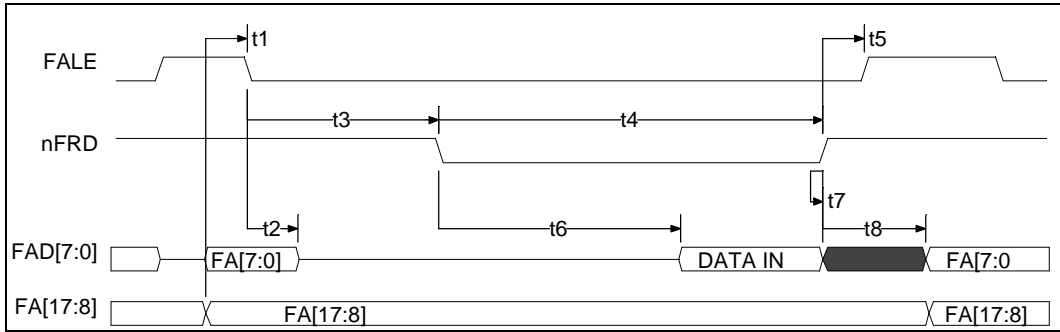


FIGURE 40 - 8051 FLASH READ TIMING

Table 104 - Flash Read Timing Parameters

	Parameter	min	typ	max	Oscillator Equation	units
t1	Address Valid to FALE low.	43			T-40	ns
t2	Address Hold Following FALE low..	53			T-30	ns
t3	FALE low to nFRD low.	200		300	3T-50 / 3T+50	ns
t4	nFRD Pulse Width.	400			6T-100	ns
t5	nFRD high to FALE high.	43		123	T-40 / T+40	ns
t6	nFRD low to Valid Data In			252	5T-165	ns
t7	Data Hold following nFRD.	0			0	ns
t8	Data Float following nFRD.			107	2T-60	ns

Min and Max delays shown for an 8051 clock of 12MHz, to calculate timing delays for other clock frequencies use the Oscillator Equations, where $T=1/F_{clk}$.

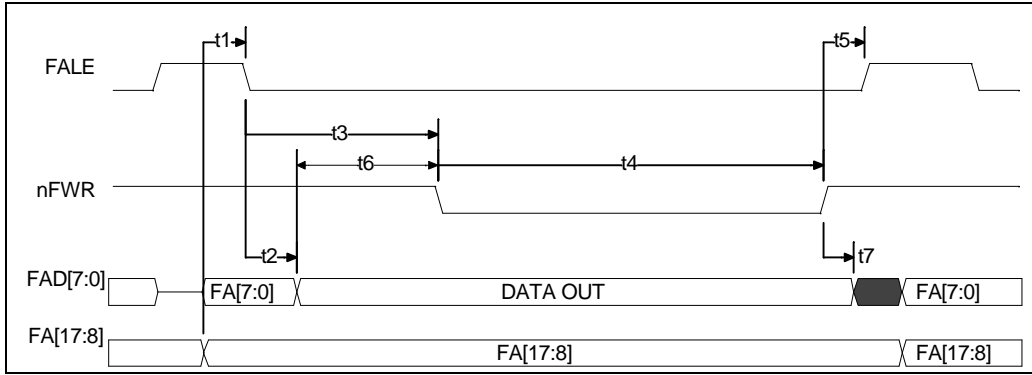


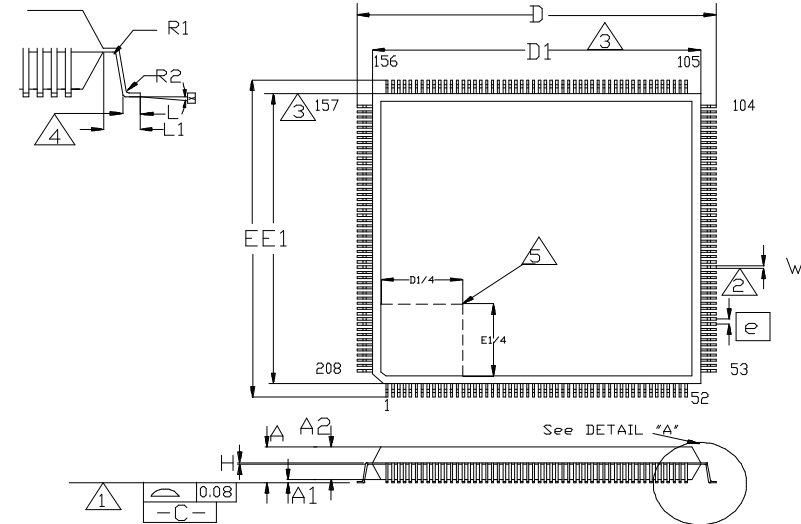
FIGURE 41 - 8051 FLASH WRITE TIMING

Table 105 - Flash Write Timing Parameters

	Parameter	min	typ	max	Oscillator Equation	units
t1	Address Valid to FALE low.	43			$T-40$	ns
t2	Address Hold Following FALE low.	53			$T-30$	ns
t3	FALE low to nFWR low.	200		300	$3T-50 / 3T+50$	ns
t4	nFWR Pulse Width.	400			$6T-100$	ns
t5	nFWR high to FALE high.	43		123	$T-40 / T+40$	ns
t6	Data Valid to nFWR falling edge	33			$T-50$	ns
t7	Data Hold following nFWR.	33			$T-50$	ns

Min and Max delays shown for an 8051 clock of 12MHz, to calculate timing delays for other clock frequencies use the Oscillator Equations, where $T=1/F_{clk}$.

DETAIL "A"



	MIN	NOM	MAX		MIN	NOM	MAX
A			4.07	L1		1.30	
A1	0.05		0.5	e	0.50BSC		
A2	3.17		3.67	θ	0°		7°
D	30.35	30.60	30.85	W	0.10		0.30
D1	27.90	28.00	28.10	R1		0.20 or 0.15	
E	30.35	30.60	30.85	R2		0.30 or 0.20	
E1	27.90	28.00	28.10				
H	0.09		0.230				
L	0.35	0.50	0.65				

Notes:

- 1) Coplanarity is 0.080 mm maximum
- 2) Tolerance on the position of the leads is 0.080 mm maximum
- 3) Package body dimensions D1 and E1 do not include the mold protrusion. Maximum mold protrusion is 0.25 mm
- 4) Dimensions for foot length L when measured at the centerline of the leads are given at the table. Dimension for foot length L when measured at the gauge plane 0.25 mm above the seating plane, is 0.6 mm
- 5) Details of pin 1 identifier are optional but must be located within the zone indicated
- 6) Controlling dimension: millimeter

FIGURE 42 - 208 PIN QFP PACKAGE OUTLINE

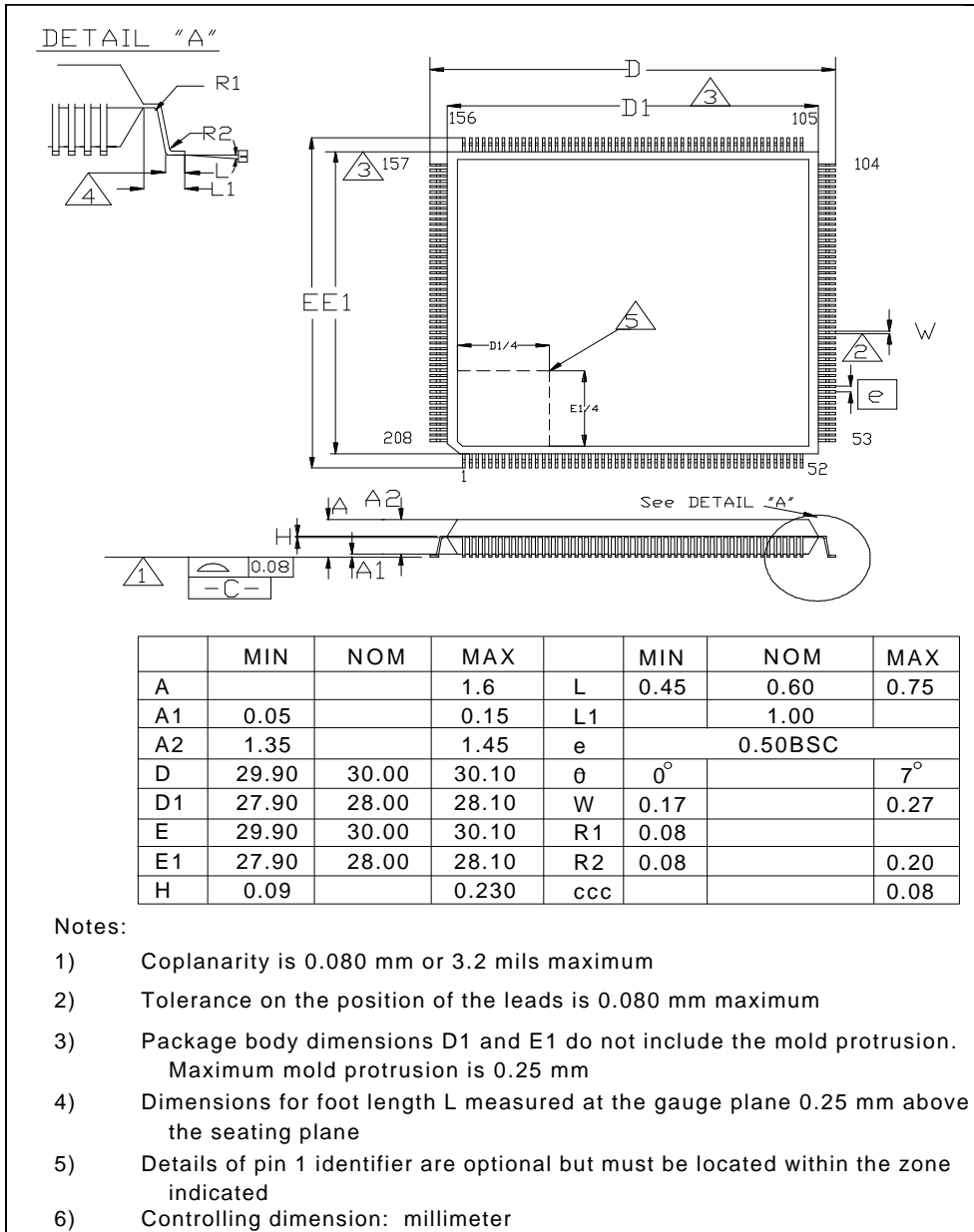


FIGURE 43 - 208 PIN TQFP PACKAGE OUTLINE

©1996 STANDARD MICROSYSTEMS
CORP.

SMC[®]

Circuit diagrams utilizing SMC products are included as a means of illustrating typical applications; consequently complete information sufficient for construction purposes is not necessarily given. The information has been carefully checked and is believed to be entirely reliable. However, no responsibility is assumed for inaccuracies. Furthermore, such information does not convey to the purchaser of the semiconductor devices described any licenses under the patent rights of SMC or others. SMC reserves the right to make changes at any time in order to improve design and supply the best product possible. SMC products are not designed, intended, authorized or warranted for use in any life support or other application where product failure could cause or contribute to personal injury or severe property damage. Any and all such uses without prior written approval of an Officer of SMC and further testing and/or modification will be fully at the risk of the customer.

FDC37C957FR Rev. 7/29/96