



# Low-Voltage, Low-On-Resistance, SPST, CMOS Analog Switches

MAX4514/MAX4515

## General Description

The MAX4514/MAX4515 are single-pole/single-throw (SPST), CMOS, low-voltage, single-supply analog switches with very low switch on-resistance. The MAX4514 is normally open (NO). The MAX4515 is normally closed (NC).

These CMOS switches can operate continuously with a single supply between +2V and +12V. Each switch can handle rail-to-rail analog signals. The off-leakage current maximum is only 1nA at +25°C or 20nA at +85°C.

All digital inputs have 0.8V to 2.4V logic thresholds, ensuring TTL/CMOS-logic compatibility when using a +5V supply.

For pin-compatible parts for use with dual supplies, see the MAX4516/MAX4517.

## Applications

- Battery-Operated Equipment
- Audio and Video Signal Routing
- Low-Voltage Data-Acquisition Systems
- Communications Circuits
- PCMCIA Cards
- Cellular Phones
- Modems

## Features

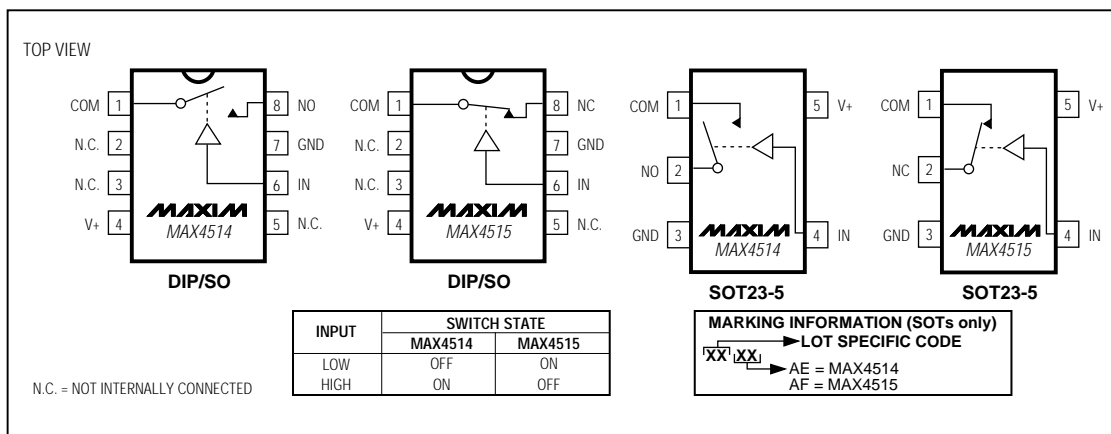
- ◆ Available in SOT23-5 Package
- ◆ +2V to +12V Single-Supply Operation
- ◆ Guaranteed On-Resistance:  
20Ω with +5V Supply  
10Ω with +12V Supply
- ◆ Guaranteed Low Off-Leakage Currents:  
1nA at +25°C  
20nA at +85°C
- ◆ Guaranteed Low On-Leakage Currents:  
2nA at +25°C  
40nA at +85°C
- ◆ Low Charge Injection: 10pC
- ◆ Fast Switching Speed:  $t_{ON} = 150ns$ ,  $t_{OFF} = 100ns$
- ◆ Break-Before-Make Operation:  $t_{ON} > t_{OFF}$  at +5V
- ◆ TTL/CMOS-Logic Compatible with +5V Supply

## Ordering Information

PART	TEMP. RANGE	PIN-PACKAGE
MAX4514CPA	0°C to +70°C	8 Plastic DIP
MAX4514CSA	0°C to +70°C	8 SO
MAX4514CUK	0°C to +70°C	5 SOT23-5
MAX4514C/D	0°C to +70°C	Dice*

Ordering Information continued at end of data sheet.  
\* Contact factory for dice specifications.

## Pin Configurations



# Low-Voltage, Low-On-Resistance, SPST, CMOS Analog Switches

MAX4514/MAX4515

## ABSOLUTE MAXIMUM RATINGS

(Voltages Referenced to GND)

V+	-0.3V, +13V	5-Pin SOT23-5 (derate 7.1mW/°C above +70°C)	571mW
Voltage into Any Terminal (Note 1)	-0.3V to (V+ + 0.3V) or ±20mA (whichever occurs first)	8-Pin CERDIP (derate 8.00mW/°C above +70°C)	640mW
Continuous Current into Any Terminal	±20mA	Operating Temperature Ranges	
Peak Current, NO <sub>-</sub> or COM <sub>-</sub> (pulsed at 1ms, 10% duty cycle)	±30mA	MAX4514C <sub>-</sub> /MAX4515C <sub>-</sub>	0°C to +70°C
ESD per Method 3015.7	>2000V	MAX4514E <sub>-</sub> /MAX4515E <sub>-</sub>	-40°C to +85°C
Continuous Power Dissipation (T <sub>A</sub> = +70°C)		MAX4514MJA/MAX4515MJA	-55°C to +125°C
8-Pin Plastic DIP (derate 9.09mW/°C above +70°C)	727mW	Storage Temperature Range	-65°C to +150°C
8-Pin SO (derate 5.88mW/°C above +70°C)	471mW	Lead Temperature (soldering, 10sec)	+300°C

**Note 1:** Voltages exceeding V+ or GND on any signal terminal are clamped by internal diodes. Limit forward-diode current to maximum current rating.

Stresses beyond those listed under "Absolute Maximum Ratings" may cause permanent damage to the device. These are stress ratings only, and functional operation of the device at these or any other conditions beyond those indicated in the operational sections of the specifications is not implied. Exposure to absolute maximum rating conditions for extended periods may affect device reliability.

## ELECTRICAL CHARACTERISTICS—+5V Supply

(V+ = +4.5V to +5.5V, V<sub>INH</sub> = 2.4V, V<sub>INL</sub> = 0.8V, T<sub>A</sub> = T<sub>MIN</sub> to T<sub>MAX</sub>, unless otherwise noted. Typical values are at T<sub>A</sub> = +25°C.)

PARAMETER	SYMBOL	CONDITIONS	MIN	TYP (Note 2)	MAX	UNITS
<b>ANALOG SWITCH</b>						
Analog Signal Range	V <sub>COM</sub> , V <sub>NO</sub> , V <sub>NC</sub>		0		V+	V
COM to NO or NC On-Resistance	R <sub>ON</sub>	V+ = 5V, V <sub>COM</sub> = 3.5V, I <sub>COM</sub> = 1mA	T <sub>A</sub> = +25°C		10 20	Ω
			T <sub>A</sub> = T <sub>MIN</sub> to T <sub>MAX</sub>		25	
COM to NO or NC On-Resistance Flatness	ΔR <sub>ON</sub>	V <sub>COM</sub> = 1V, 2V, 3V; I <sub>COM</sub> = 1mA	T <sub>A</sub> = +25°C		1 3	Ω
			T <sub>A</sub> = T <sub>MIN</sub> to T <sub>MAX</sub>		5	
NO or NC Off-Leakage Current (Note 3)	I <sub>NO(OFF)</sub> I <sub>NC(OFF)</sub>	V+ = 5.5V, V <sub>COM</sub> = 1V, V <sub>NO</sub> or V <sub>NC</sub> = 4.5V	T <sub>A</sub> = +25°C		-1 0.01 1	nA
			T <sub>A</sub> = T <sub>MIN</sub> to T <sub>MAX</sub>	C, E	-20 20	
				M	-100 100	
COM Off-Leakage Current (Note 3)	I <sub>COM(OFF)</sub>	V+ = 5.5V, V <sub>COM</sub> = 1V, V <sub>NO</sub> or V <sub>NC</sub> = 4.5V	T <sub>A</sub> = +25°C		-1 0.01 1	nA
			T <sub>A</sub> = T <sub>MIN</sub> to T <sub>MAX</sub>	C, E	-20 20	
				M	-100 100	
COM On-Leakage Current (Note 3)	I <sub>COM(ON)</sub>	V+ = 5.5V, V <sub>COM</sub> = 4.5V, V <sub>NO</sub> or V <sub>NC</sub> = 4.5V	T <sub>A</sub> = +25°C		-2 0.01 2	nA
			T <sub>A</sub> = T <sub>MIN</sub> to T <sub>MAX</sub>	C, E	-40 40	
				M	-200 200	
<b>DIGITAL I/O</b>						
Input Logic High	V <sub>IH</sub>		2.4		V+	V
Input Logic Low	V <sub>IL</sub>		0		0.8	V
Input Current Logic High or Low	I <sub>IH</sub> , I <sub>IL</sub>	V <sub>IN</sub> = V+, 0V	-1	0.03	1	μA
<b>SWITCH DYNAMIC CHARACTERISTICS</b>						
Turn-On Time	t <sub>ON</sub>	Figure 2	T <sub>A</sub> = +25°C		30 150	ns
			T <sub>A</sub> = T <sub>MIN</sub> to T <sub>MAX</sub>		240	
Turn-Off Time	t <sub>OFF</sub>	Figure 2	T <sub>A</sub> = +25°C		20 100	ns
			T <sub>A</sub> = T <sub>MIN</sub> to T <sub>MAX</sub>		150	

# Low-Voltage, Low-On-Resistance, SPST, CMOS Analog Switches

MAX4514/MAX4515

## ELECTRICAL CHARACTERISTICS—+5V Supply (continued)

(V+ = +4.5V to +5.5V, V<sub>INH</sub> = 2.4V, V<sub>INL</sub> = 0.8V, T<sub>A</sub> = T<sub>MIN</sub> to T<sub>MAX</sub>, unless otherwise noted. Typical values are at T<sub>A</sub> = +25°C.)

PARAMETER	SYMBOL	CONDITIONS	MIN	TYP (Note 2)	MAX	UNITS
<b>SWITCH DYNAMIC CHARACTERISTICS</b>						
Charge Injection (Note 4)	Q	C <sub>L</sub> = 1nF, V <sub>NO</sub> = 0V, R <sub>S</sub> = 0Ω, T <sub>A</sub> = +25°C, Figure 1		2	10	pC
Off Isolation	V <sub>ISO</sub>	R <sub>L</sub> = 50Ω, C <sub>L</sub> = 15pF, V <sub>NO</sub> = 1V <sub>RMS</sub> , f = 100kHz, T <sub>A</sub> = +25°C, Figure 3		≤90		dB
NO or NC Off Capacitance	C <sub>NO(OFF)</sub> , C <sub>NC(OFF)</sub>	f = 1MHz, T <sub>A</sub> = +25°C, Figure 4		14		pF
COM Off Capacitance	C <sub>COM(OFF)</sub>	f = 1MHz, T <sub>A</sub> = +25°C, Figure 4		14		pF
COM On Capacitance	C <sub>COM(ON)</sub>	f = 1MHz, T <sub>A</sub> = +25°C, Figure 4		30		pF
<b>POWER SUPPLY</b>						
V+ Supply Current	I+	V <sub>IN</sub> = 0V or V+	T <sub>A</sub> = +25°C	-1	1	μA
			T <sub>A</sub> = T <sub>MIN</sub> to T <sub>MAX</sub>	-10	10	

## ELECTRICAL CHARACTERISTICS—+12V Supply

(V+ = +11.4V to +12.6V, V<sub>INH</sub> = 5V, V<sub>INL</sub> = 0.8V, T<sub>A</sub> = T<sub>MIN</sub> to T<sub>MAX</sub>, unless otherwise noted. Typical values are at T<sub>A</sub> = +25°C.)

PARAMETER	SYMBOL	CONDITIONS	MIN	TYP (Note 2)	MAX	UNITS	
<b>ANALOG SWITCH</b>							
Analog Signal Range	V <sub>COM</sub> , V <sub>NO</sub> , V <sub>NC</sub>		0		V+	V	
COM to NO or NC On-Resistance	R <sub>ON</sub>	V <sub>COM</sub> = 10V, I <sub>COM</sub> = 1mA	T <sub>A</sub> = +25°C	5	10	Ω	
			T <sub>A</sub> = T <sub>MIN</sub> to T <sub>MAX</sub>		15		
NO, NC Off-Leakage Current (Note 3)	I <sub>I(NO)OFF</sub> , I <sub>I(NC)OFF</sub>	V <sub>COM</sub> = 10V, V <sub>NO</sub> = +1V	T <sub>A</sub> = +25°C	-2	2	nA	
			T <sub>A</sub> = T <sub>MIN</sub> to T <sub>MAX</sub>	C, E	-50		50
				M	-200		200
COM Off-Leakage Current (Note 3)	I <sub>COM(OFF)</sub>	V <sub>COM</sub> = 10V, V <sub>NO</sub> or V <sub>NC</sub> = 1V	T <sub>A</sub> = +25°C	-2	2	nA	
			T <sub>A</sub> = T <sub>MIN</sub> to T <sub>MAX</sub>	C, E	-50		50
				M	-200		200
COM On-Leakage Current (Note 3)	I <sub>COM(ON)</sub>	V <sub>COM</sub> = 10V	T <sub>A</sub> = +25°C	-4	4	nA	
			T <sub>A</sub> = T <sub>MIN</sub> to T <sub>MAX</sub>	C, E	-100		100
				M	-400		400
<b>DIGITAL I/O</b>							
Input Logic High	V <sub>INH</sub>		5		V+	V	
Input Logic Low	V <sub>INL</sub>		0		0.8	V	
Input Current Logic High or Low	I <sub>INH</sub> , I <sub>INL</sub>	V <sub>IN</sub> = V+, 0V	-1	0.03	1	μA	
<b>POWER SUPPLY</b>							
V+ Supply Current	I+	I <sub>N</sub> = 0V or V+	T <sub>A</sub> = +25°C	-2	2	μA	
			T <sub>A</sub> = T <sub>MIN</sub> to T <sub>MAX</sub>	-20	20		

# Low-Voltage, Low-On-Resistance, SPST, CMOS Analog Switches

## ELECTRICAL CHARACTERISTICS—+3V Supply

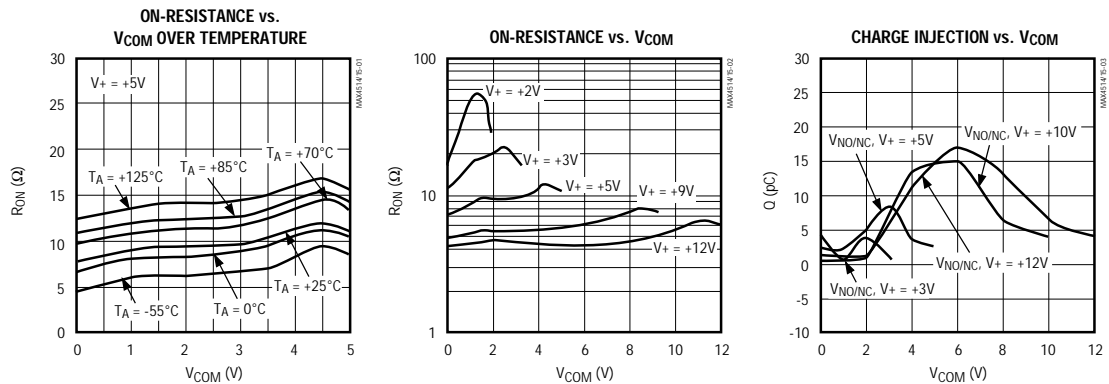
( $V_+ = +3V$  to  $+3.6V$ ,  $T_A = T_{MIN}$  to  $T_{MAX}$ , unless otherwise noted. Typical values are at  $T_A = +25^\circ C$ .)

PARAMETER	SYMBOL	CONDITIONS	MIN	TYP (Note 2)	MAX	UNITS
<b>ANALOG SWITCH</b>						
Analog Signal Range	$V_{COM}, V_{NO}, V_{NC}$		0		$V_+$	V
COM to NO or NC On-Resistance	$R_{ON}$	$V_{COM} = 1.5V, I_{NO} = 1mA, V_+ = 3V$		20	50	$\Omega$
					75	
<b>DIGITAL I/O</b>						
Input Logic High	$V_{INH}$		2.4		$V_+$	V
Input Logic Low	$V_{INL}$		0		0.80	V
Input Current Logic High or Low	$I_{INH}, I_{INL}$	$V_{IN} = V_+, 0V$	-1	0.03	1	$\mu A$
<b>SWITCH DYNAMIC CHARACTERISTICS</b>						
Turn-On Time (Note 4)	$t_{ON}$	Figure 2		45	150	ns
					240	
Turn-Off Time (Note 4)	$t_{OFF}$	Figure 2		30	100	ns
					150	
Charge Injection (Note 4)	$Q$	$C_L = 1nF$ , Figure 1		4	10	pC
<b>POWER SUPPLY</b>						
$V_+$ Supply Current	$I_+$	$I_N = 0V$ or $V_+$		-1	1	$\mu A$
					10	

- Note 2:** The algebraic convention is used in this data sheet; the most negative value is shown in the minimum column.  
**Note 3:** Leakage parameters are 100% tested at maximum-rated hot operating temperature, and are guaranteed by correlation at  $+25^\circ C$ .  
**Note 4:** Guaranteed, not production tested.  
**Note 5:** SOT packaged parts are 100% tested at  $+25^\circ C$ . Limits at maximum and minimum rated temperature are guaranteed by design and correlation limits at  $+25^\circ C$ .

## Typical Operating Characteristics

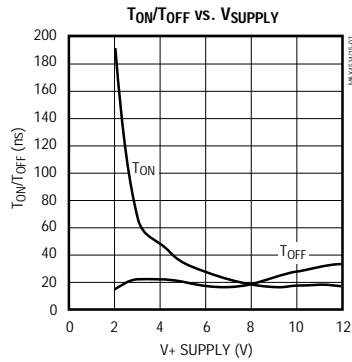
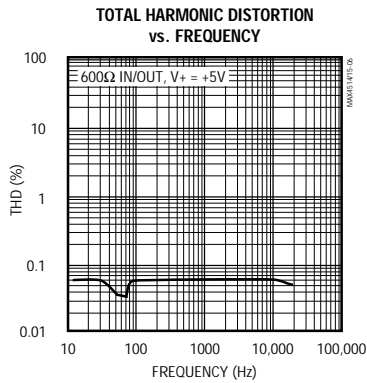
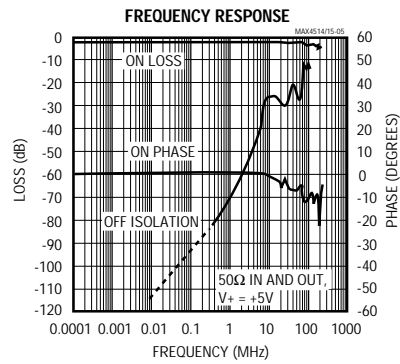
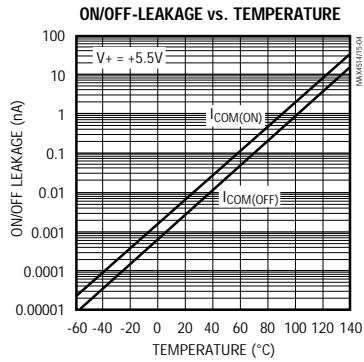
( $V_+ = +5V$ ,  $GND = 0V$ ,  $T_A = +25^\circ C$ , unless otherwise noted.)



# Low-Voltage, Low-On-Resistance, SPST, CMOS Analog Switches

MAX4514/MAX4515

Typical Operating Characteristics (continued)  
 (V+ = +5V, GND = 0V, TA = +25°C, unless otherwise noted.)



## Pin Description

PIN				NAME	FUNCTION
MAX4514		MAX4515			
DIP/SO	SOT23-5	DIP/SO	SOT23-5		
1	1	1	1	COM	Analog Switch Common Terminal
2, 3, 5	—	2, 3, 5	—	N.C.	No Connect (not internally connected)
4	5	4	5	V+	Positive Supply-Voltage Input (analog and digital)
6	4	6	4	IN	Digital Control Input
7	3	7	3	GND	Ground
8	2	—	—	NO	Analog Switch (normally open)
—	—	8	2	NC	Analog Switch (normally closed)

**Note:** NO, NC, and COM pins are identical and interchangeable. Any may be considered as an input or an output; signals pass equally well in both directions.

# Low-Voltage, Low-On-Resistance, SPST, CMOS Analog Switches

## Applications Information

### Power-Supply Considerations

The MAX4514/MAX4515 construction is typical of most CMOS analog switches, except that they have only two supply pins: V+ and GND. V+ and GND drive the internal CMOS switches and set their analog voltage limits. Reverse ESD-protection diodes are internally connected between each analog-signal pin and both V+ and GND. One of these diodes conducts if any analog signal exceeds V+ or GND.

Virtually all the analog leakage current comes from the ESD diodes to V+ or GND. Although the ESD diodes on a given signal pin are identical and therefore fairly well balanced, they are reverse biased differently. Each is biased by either V+ or GND and the analog signal. This means their leakages will vary as the signal varies. The difference in the two diode leakages to the V+ and GND pins constitutes the analog-signal-path leakage current. All analog leakage current flows between each pin and one of the supply terminals, not to the other switch terminal. This is why both sides of a given switch can show leakage currents of the same or opposite polarity.

There is no connection between the analog-signal paths and V+ or GND.

V+ and GND also power the internal logic and logic-level translators. The logic-level translators convert the logic levels to switched V+ and GND signals to drive the analog signal gates.

### Logic-Level Thresholds

The logic-level thresholds are CMOS/TTL compatible when V+ is +5V. As V+ is raised, the level threshold increases slightly. When V+ reaches +12V, the level threshold is about 3.0V—above the TTL guaranteed high-level minimum of 2.8V, but still compatible with CMOS outputs.

**Do not connect the MAX4514/MAX4515's V+ to +3V and then connect the logic-level pins to logic-level signals that operate from +5V supply. Output levels can exceed +3V and violate the absolute maximum ratings, damaging the part and/or external circuits.**

### High-Frequency Performance

In 50Ω systems, signal response is reasonably flat up to 250MHz (see *Typical Operating Characteristics*). Above 20MHz, the on response has several minor peaks that are highly layout dependent. The problem is not in turning the switch on; it's in turning it off. The off-state switch acts like a capacitor and passes higher frequencies with less attenuation. At 10MHz, off isolation is about -45dB in 50Ω systems, decreasing (approximately 20dB per decade) as frequency increases. Higher circuit impedances also make off isolation decrease. Off isolation is about 3dB above that of a bare IC socket, and is due entirely to capacitive coupling.

## Test Circuits/Timing Diagrams

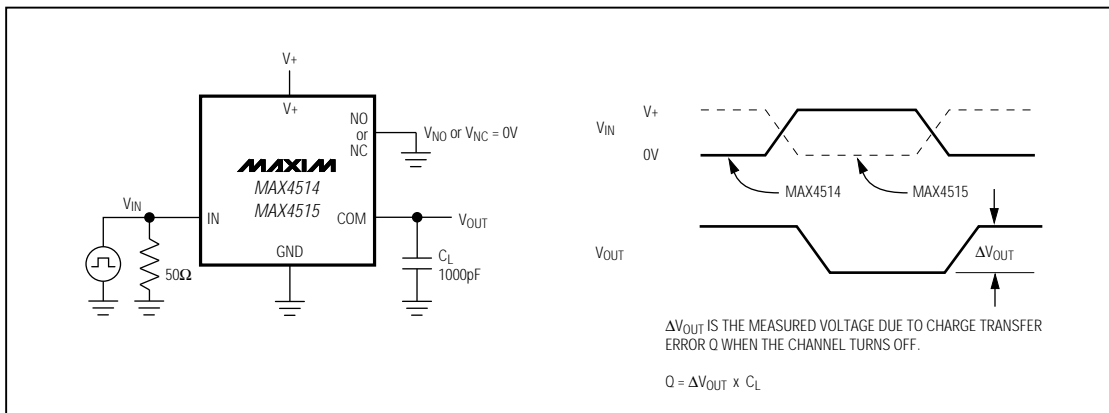


Figure 1. Charge Injection

# Low-Voltage, Low-On-Resistance, SPST, CMOS Analog Switches

Test Circuits/Timing Diagrams (continued)

MAX4514/MAX4515

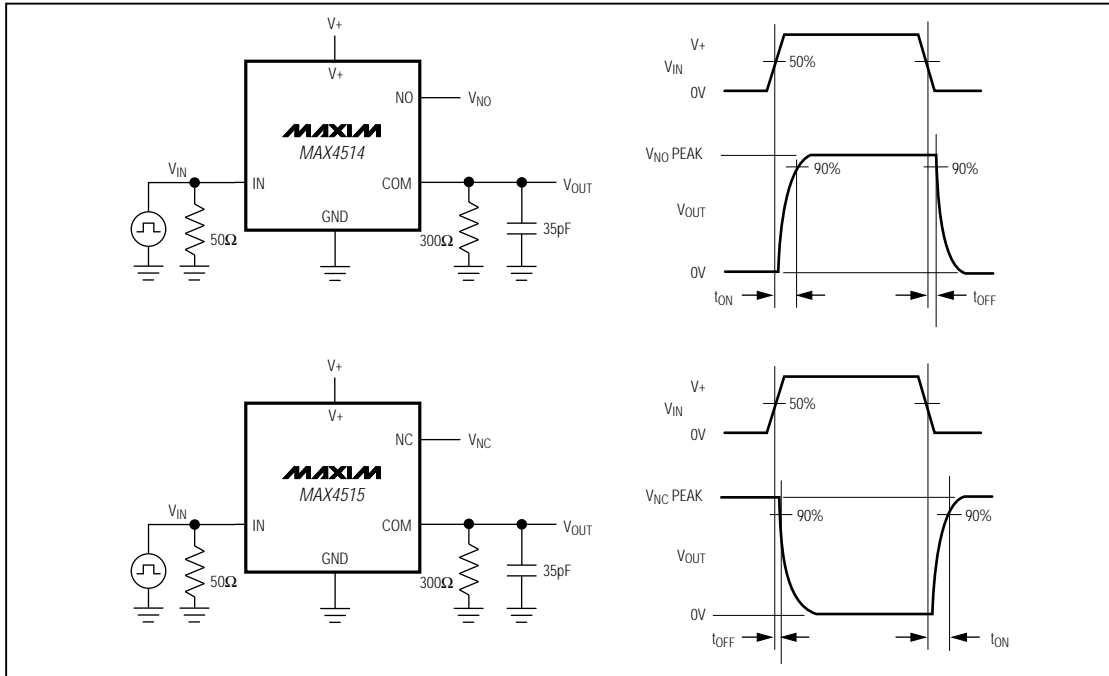


Figure 2. Switching Times

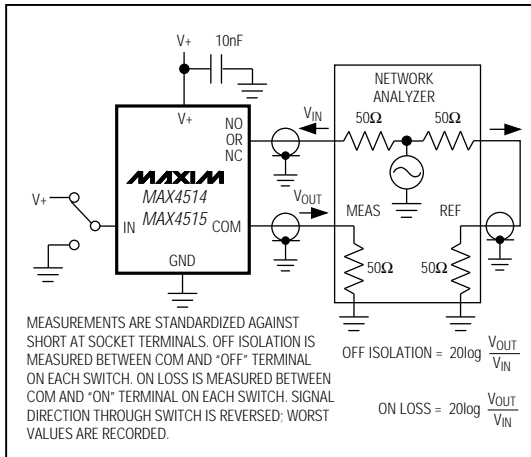


Figure 3. Off Isolation and On Loss

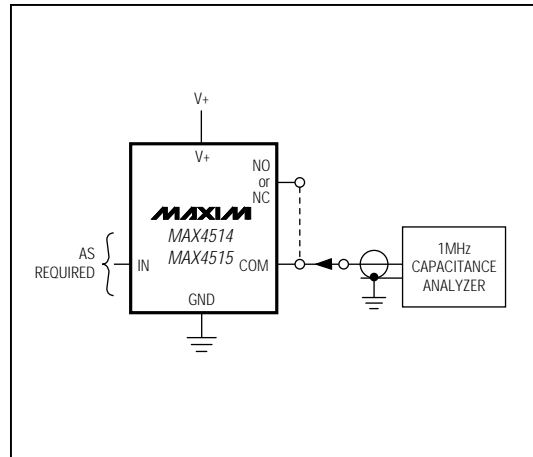


Figure 4. NO, NC, and COM Capacitance

# Low-Voltage, Low-On-Resistance, SPST, CMOS Analog Switches

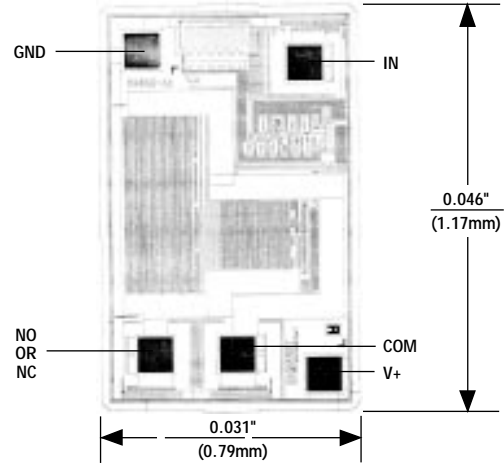
## Ordering Information (continued)

PART	TEMP. RANGE	PIN-PACKAGE
MAX4514EPA	-40°C to +85°C	8 Plastic DIP
MAX4514ESA	-40°C to +85°C	8 SO
MAX4514EUK	-40°C to +85°C	5 SOT23-5
MAX4514MJA	-55°C to +125°C	8 CERDIP**
<b>MAX4515CPA</b>	0°C to +70°C	8 Plastic DIP
MAX4515CSA	0°C to +70°C	8 SO
MAX4515CUK	0°C to +70°C	5 SOT23-5
MAX4515C/D	0°C to +70°C	Dice*
MAX4515EPA	-40°C to +85°C	8 Plastic DIP
MAX4515ESA	-40°C to +85°C	8 SO
MAX4515EUK	-40°C to +85°C	5 SOT23-5
MAX4515MJA	-55°C to +125°C	8 CERDIP**

\*Contact factory for dice specifications.

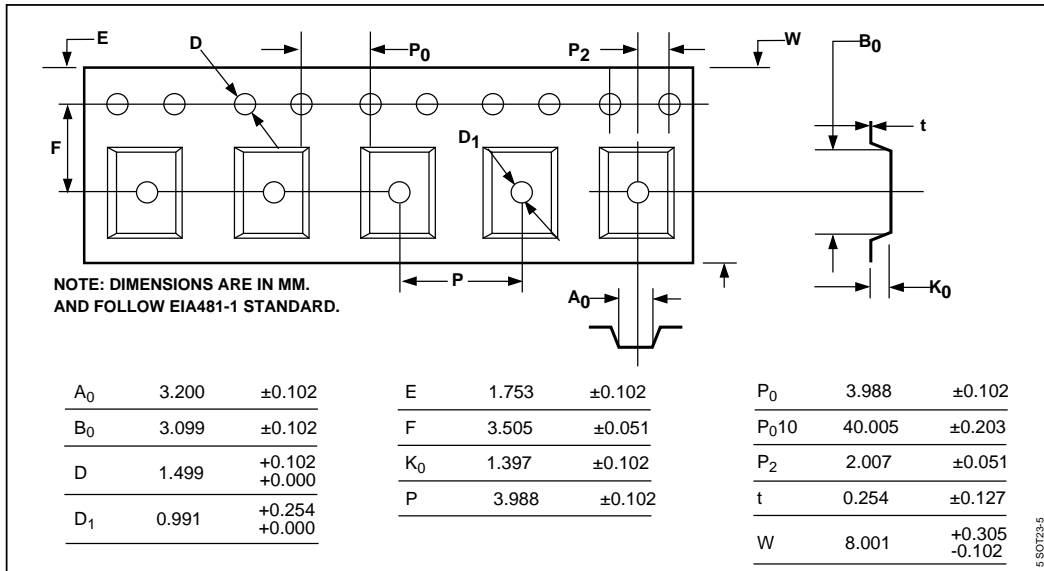
\*\*Contact factory for availability.

## Chip Topography



TRANSISTOR COUNT: 19  
SUBSTRATE IS INTERNALLY CONNECTED TO V+

## Tape-and-Reel Information



Maxim cannot assume responsibility for use of any circuitry other than circuitry entirely embodied in a Maxim product. No circuit patent licenses are implied. Maxim reserves the right to change the circuitry and specifications without notice at any time.

8 Maxim Integrated Products, 120 San Gabriel Drive, Sunnyvale, CA 94086 (408) 737-7600

© 1996 Maxim Integrated Products

Printed USA

MAXIM is a registered trademark of Maxim Integrated Products.