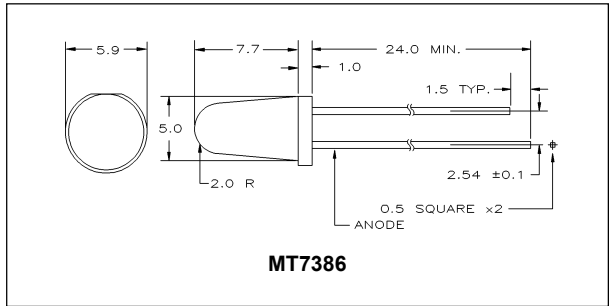
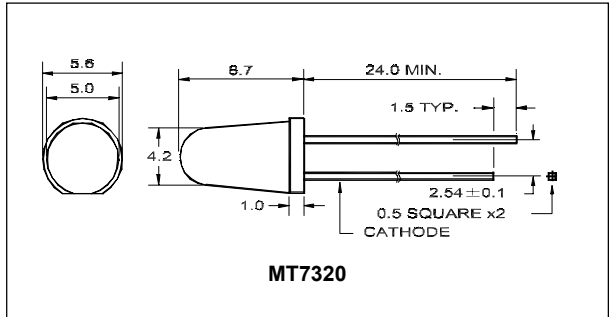


Ultra Bright T-1³/₄ LED Lamps

FEATURES

- Excellent on/off contrasts
- Low drive current
- High intensity red light emission
- Tapered package
- Water clear lens
- Can be packaged on tape in a reel or in a box



MAXIMUM RATINGS (Ta = 25°C)

PART NO.	FORWARD CURRENT (I _f) (mA)	REVERSE VOLTAGE (V _r) (V)	POWER DISSIPATION (P _D) (mW)	OPERATING TEMPERATURE (T _{opr}) (°C)	STORAGE TEMPERATURE (T _{stg}) (°C)
MT7320-UR	30	4.0	70	-25~+85	-25~+100
MT7320A-UR	30	4.0	70	-25~+85	-25~+100
MT7386-UR	30	4.0	70	-25~+85	-25~+100
MT7386A-UR	30	4.0	70	-25~+85	-25~+100

OPTO-ELECTRICAL CHARACTERISTICS (Ta = 25°C)

PART NO.	MATERIAL	LENS COLOR	VIEWING ANGLE typ.	LUMINOUS INTENSITY (mcd)			FORWARD VOLTAGE (V)			REVERSE CURRENT		PEAK WAVE LENGTH
				min.	typ.	@mA	typ.	max.	@mA	μA	Vr	nm
MT7320-UR	GaAlAs	Water Clear	20°	220	555	20	1.9	2.5	20	100	4	660
MT7320A-UR	GaAlAs/GaAs	Water Clear	20°	465	1170	20	1.9	2.5	20	100	4	660
MT7386-UR	GaAlAs	Water Clear	26°	--	475	20	1.9	2.5	20	100	4	660
MT7386A-UR	GaAlAs/GaAs	Water Clear	26°	--	1250	20	1.9	2.5	20	100	4	660



120 Broadway • Menands, New York 12204

Toll Free: (800) 98-4LEDS • Fax: (518) 432-7454