

TriQuint's Fibre Channel transmitter (TQ9501) and receiver (TQ9502) are part of the FC531/FC1063 (Fibre Channel 531 and 1063 Megabaud) chip set. In addition to the transmitter and receiver, TriQuint offers the ENcoder/DECoder (TQ9303 ENDEC). The TQ9501, TQ9502, TQ9303 and a gigabit fiber optic module set provide a complete solution for Fibre Channel's FC0 and FC1 layers as well as partial support for the FC2 layer.

The TQ9501 and TQ9502 are designed in TriQuint's proprietary 0.7-micron GaAs process, enabling the transmitter and receiver to run at higher speeds and lower power than with conventional processes. The transmitter and receiver data interface has been selected to be 10 bits in order to conserve input/output power and to reduce pin count and package size. The transmitter performs the parallel-to-serial conversion and generates the internal high-speed clock for the serial output. The receiver performs serial-to-parallel conversion, recovers the clock and data from the serial input, and detects the K28.5 character (Fibre Channel standard "SYNC" transmission character).

The TQ9303 ENDEC implements 8b/10b encoding and decoding, ordered set encoding and decoding, parity checking and generation, 32-bit CRC checking and generation, and word synchronization as defined in the Fibre Channel Physical and Signaling Interface Standard (FC-PH).

Fibre Channel provides a high-speed physical layer for Intelligent Peripheral Interface (IPI) and Small Computer System Interface (SCSI) upper-layer command sets, High-Performance Parallel Interface (HIPPI) data link layer, and other user-defined command sets. Fibre Channel replaces the SCSI, IPI and HIPPI physical interfaces with a higher-speed interface capable of driving longer distances.

TQ9501/9502

531/1063 Mbaud Fibre Channel Transmitter and Receiver

Features

- *Compliant with ANSI X3T11 Fibre Channel Standard*
- *Operates at 531.125 Mbaud and 1.0625 Gigabaud (1.25 Gigabaud max)*
- *Low power dissipation (2.25 W, typical)*
- *Low jitter*
- *No external PLL components*
- *10-bit TTL-compatible data bus*
- *Synchronous Data Bus Interface*
- *Direct interface to TQ9303 ENDEC*
- *Single +5 V supply*
- *48-pin MQuad package*

TQ9501/TQ9502

Fibre Channel is optimized for predictable transfers of large blocks of data, such as those used in file transfers between processors (super computer, mainframe, super-mini, etc.), storage systems (disk and tape), and output-only devices such as laser printers and raster scan graphics terminals.

The Fibre Channel protocol is implemented in hardware, making it simple, efficient and robust. The lower-level physical interface is decoupled from the higher-level protocol allowing the Fibre Channel to be configured with various topologies, including point-to-point, multi-drop bus, ring, and cross point switch.

Fibre Channel supports distances up to 10 Km at baud rates of 132.8125 Mbaud to 1.0625 Gbaud. Copper media such as Coax and STP (Shielded Twisted Pair) are used for shorter distances while fiber optic cables are used for longer distances.

Applications for the TQ9501 and TQ9502 include serial SCSI, IPI, HIPPI, point-to-point serial communication, ATM and other networking applications.

TriQuint offers two chip sets for Fibre Channel: the TQ9501 and TQ9502 chip set for 531.125 Mbaud and 1.0625 Gbaud, and the GA9101 and GA9102 chip set for the 265.625 Mbaud rate.

Functional Description – TQ9501 Transmitter

The TQ9501 serializes a 10-bit TTL input into a differential PECL output. The TQ9501 is composed of an input register, a parallel-to-serial converter, a PLL clock generator, a differential output buffer and a PECL-to-TTL translator, as illustrated in Figure 1.

The self-contained PLL (Phase-Locked Loop) clock generator requires no external components. It generates an internal high-speed bit clock for the serial output, an internal byte clock for the parallel-to-serial converter and BYTECLK, based on REFCLK (REFERENCE CLock). BYTECLK is used by the TQ9303 ENDEC to generate TXCLK.

TXD0..9 are latched into the input register on the rising edge of TXCLK. The parallel-to-serial converter serializes the data into a differential PECL buffer. TXD9 is sent first and TXD0 is sent last.

Figure 1. TQ9501 Transmitter

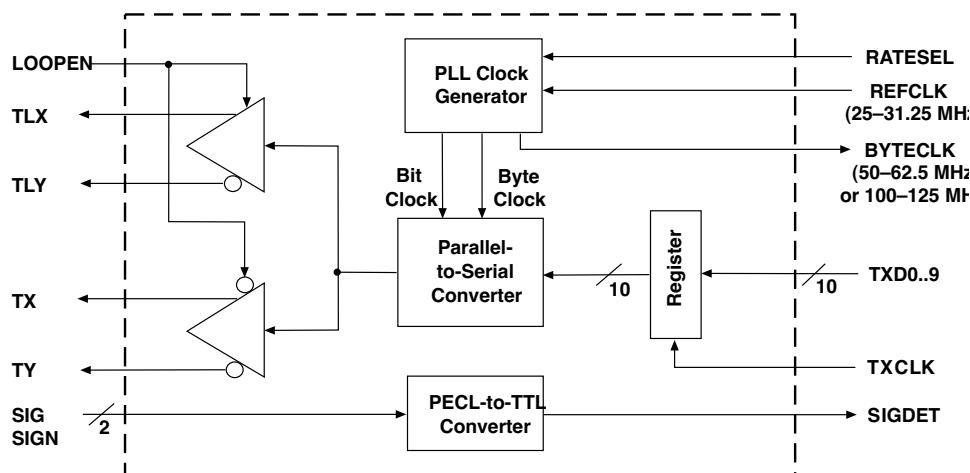
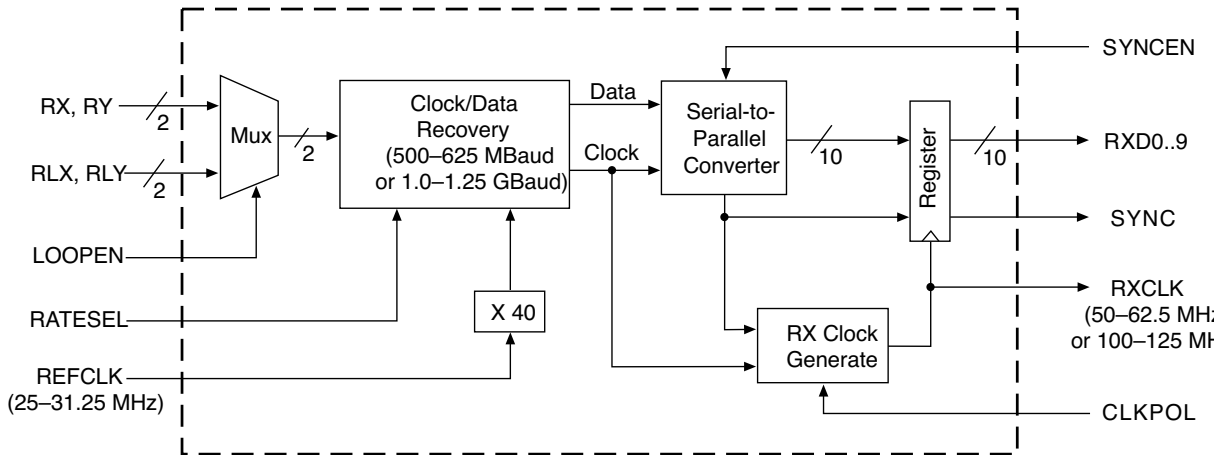


Figure 2. TQ9502 – Receiver



The LOOPEN (LOOP ENable) pin selects between the two differential output pairs, TLX and TLY, or TX and TY. LOOPEN = 1 selects the differential output TLX and TLY, setting TX = 0 and TY = 1. Conversely, LOOPEN = 0 selects TX and TY, setting TLX = 0 and TLY = 1. This relationship is shown in Table 1.

The PECL-to-TTL translator block is a differential PECL-to-TTL translator. It is normally used for translating PECL signals generated by optical receivers to TTL signals to drive control circuitry.

Table 1. LOOPEN Configuration

LOOPEN	Rx Input	Tx Output
0	RX, RY	TX, TY
1	RLX, RLY	TLX, TLY

Functional Description – TQ9502 Receiver

The TQ9502 consists of a clock and data recovery circuit, a multiplexer, and a serial-to-parallel converter block, as shown in Figure 3. The multiplexer selects between the RX and RY inputs or the RLX and RLY inputs. Outputs RTX, RTY, RLTX and RLTY, not shown on Figure 3, are provided for Fly-By™ termination, which allows termination resistors to be placed away from the chip. The multiplexer output is selected by the LOOPEN pin as shown in Table 1. The selected data goes to the CDR (Clock/Data Recovery) block.

The clock and data recovery block has two modes: clock recovery and frequency acquisition. In the clock input, it automatically switches to the frequency acquisition mode which causes the CDR to lock onto the REFCLK signal. This prevents the PLL from drifting away from the serial data rate and ensures that the CDR will properly lock onto the input serial data when it is reapplied.

The receiver synchronizes 1 ms after applying power, REFCLK and data. The receiver synchronizes 200 μs after applying valid data if power and REFCLK has already been applied. The output of this block is latched into the output register. When SYNCEN is high (SYNCronization ENable), the serial-to-parallel converter monitors the serial data for the K28.5 character. When it sees a K28.5, it realigns the 10-bit register to the K28.5 character and drives SYNC high.

The clock generate block also detects SYNC going high, and delays the phase of the output RXCLK to coincide with the new alignment. Some bits may be lost during

the realignment. When SYNCEN is low, SYNC is driven low and the serial-to-parallel converter ignores the K28.5 character.

The output register takes in the 10-bit-wide output from the Serial-to-Parallel Converter and drives the RXD0..9 outputs. RXD0..9 are strobed on the rising edge of RXCLK. CLKPOL = 1 results in a longer setup time and shorter hold time than CLKPOL = 0. The first serial bit is placed in RXD9 and the tenth bit is placed in RXD0.

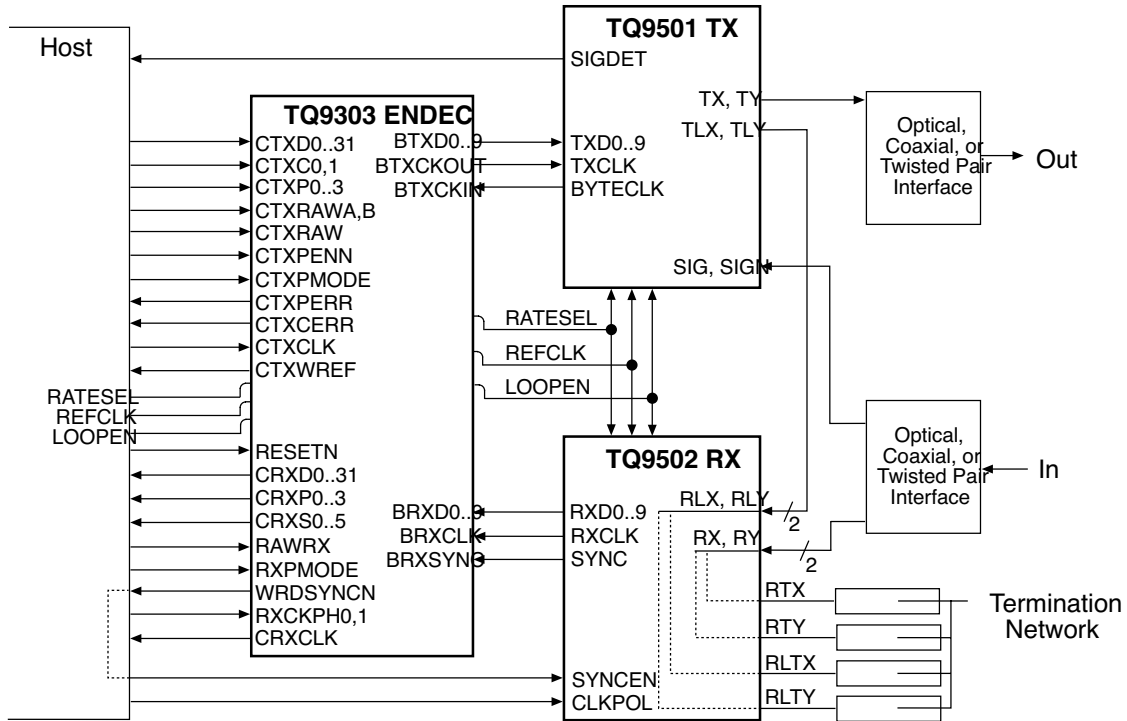
Fibre Channel Interface

Figure 3 illustrates a typical Fibre Channel physical layer block diagram using the TQ9501, TQ9502 and TQ9303 chip set. The interface between the host and ENDEC operates at 26.5625 MHz with a data width of 32-bits for the transmit path and a separate 32-bits for the receive path. The ENDEC performs the 8b/10b encoding and decoding; ordered set encoding and decoding; parity checking and generation; 32-bit CRC checking and generation; and word synchronization.

The interface between the TQ9303 and the TQ9501/TQ9502 operates at 531.25 or 106.250 MHz with an encoded data width of 10-bits. The serial interface operates from 531.125 Mbaud or 1.0625 Gbaud respectively, which is connected to an optical, coaxial or twisted pair interface.

For additional information on the ENDEC, please refer to the TQ9303 data sheet.

Figure 3. System Block Diagram – Fibre Channel



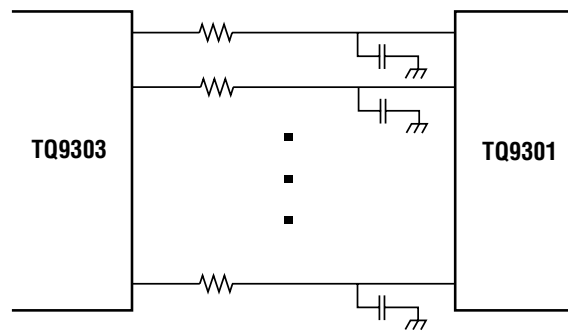
DATACOM PRODUCTS

Note that the fast edge rates of the TQ9303 TX bus outputs can affect the stability of the TQ9501 PLL. These edge rates can be effectively “slowed” by adding some series resistance of from 90 to 250 ohms to the TX data bus lines (TXD0..9) as shown in Figure 4. Resistance should also be added to TXCLK to maintain the correct timing relationship with the data lines. The resistors should be placed near the TQ9303.

In cases where the line capacitance of the bus traces is less than 3 pF, it may also be necessary to add from 1– 2 pf of capacitance to each trace near the TQ9501.

The purpose is to slow the edge rates enough to prevent potential undershoot from disturbing the power supplies in the PLL circuitry of the TQ9501.

Figure 4. Adding resistance and capacitance to the TX data bus.



TQ9501/TQ9502

Table 2. Transmitter Pin Descriptions

Symbol	Type	Description
TX, TY	0	Differential Transmitter Outputs connect to an optical transmitter, a coaxial interface or shielded twisted pair interface. LOOPEN low selects TY and TX outputs. LOOPEN high drives TX low and TY high.
TLX, TLY	0	Loopback Differential Transmitter Outputs connect to the Receiver RLX and RLY inputs. LOOPEN high selects TLY and TLX outputs. LOOPEN low drives TLX low and TLY high.
LOOPEN	I	Loopback Enable high selects the TLX and TLY as outputs. LOOPEN low selects the TX and TY as outputs.
REFCLK	I	The PLL multiplies the Reference Clock and generates the high speed clock for transmitting serial data. REFCLK shall be equal to 1/40 of the baud rate. REFCLK shall have a frequency tolerance of 100 ppm to guarantee clock and data recovery on the receiver. The REFCLK operating range is 25 MHz to 31.25 MHz.
BYTECLK	0	The ENDEC uses Byte Clock to synchronize to the Transmitter. The ENDEC generates TXCLK from BYTECLK simplifying the synchronization between the Transmitter and ENDEC, as shown on Figure 7.
TXD0..9	I	The Transmitter latches the 10 Encoded Data Bits at the rising edge of TXCLK. The Transmitter serially sends TXD9 first and TXD0 last.
TXCLK	I	The Transmitter Data Clock strobes TXD0..9 into the Transmitter. The ENDEC generates TXCLK from BYTECLK simplifying the synchronization between the Transmitter and ENDEC.
SIG, SIGN	I	The Differential Signal Present are inputs to a PECL to TTL translator. The translator is typically used to convert differential signals from a differential optical receiver output to TTL. The TTL equivalent of SIG and SIGN is SIGDET.
SIGDET	0	Signal Detect is the output of the PECL to TTL translator. The translator is typically used to convert differential signals from a differential optical receiver output to TTL. SIGDET is useful when implementing an OFC - Open Fibre Control protocol where the link activity or optical receiver outputs are monitored continuously.
RATESEL	I	Rate Select is used to select between 531 Mbaud (RATESEL=VDD) and 1063 Mbaud (RATESEL=GND) operation.

Figure 5. Fly-By™ Termination Schematic

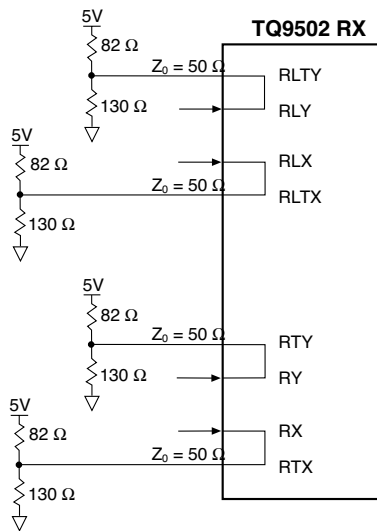


Figure 6. Transmitter Synchronization Circuit Block Diagram

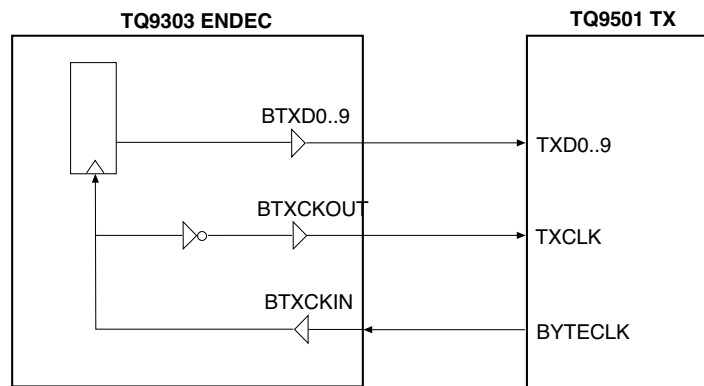


Table 3. Receiver Pin Descriptions

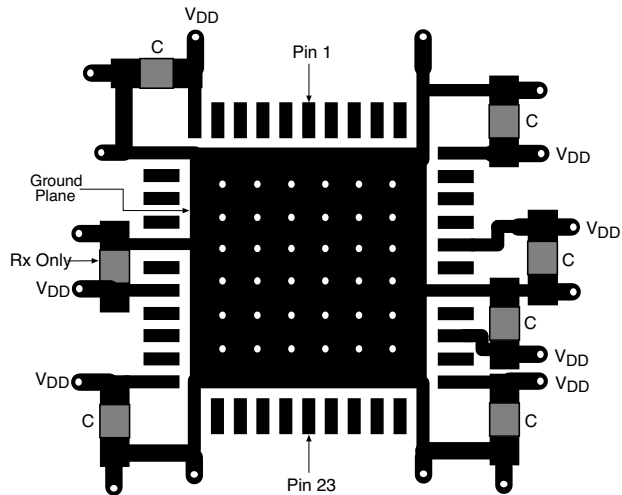
Symbol	Type	Description
RX, RY	I	The Receiver Differential Inputs connects to an optical, coaxial or shielded twisted pair interface. LOOPEN low selects the RX and RY inputs. LOOPEN high selects the RLX and RLY inputs.
RTX, RTY	I	The Receiver Differential Termination are used in Fly-By™ termination. RX is internally connected to RTX and RY is internally connected to RTY. A termination circuit connects to RTX and RTY instead of RX and RY. With Fly-By™ termination, the termination circuit can be located away from the Receiver instead of requiring termination directly at RX and RY. Both RTX and RTY must be terminated with a 50Ω chip resistor in series with 3V reference or Thevenin equivalent as shown in Figure 6.
RLX, RLY	I	The Looped Receiver Differential Inputs connect to the Transmitters TLX and TLY outputs providing a loop back path. LOOPEN high selects the RLX and RLY inputs. LOOPEN low selects the RX and RY inputs.
RLTX, RLTY	I	The Receiver Differential Termination are used in Fly-By™ termination. RLX is internally connected to RLTX and RLY is internally connected to RLTY. A termination circuit connects to RLTX and RLTY instead of RLX and RLY. With Fly-By™ termination, the termination circuit can be located away from the Receiver instead of requiring termination directly at the RLX and RLY. Both RLTX and RLTY must be terminated with a 50Ω chip resistor in series with 3V reference or Thevenin equivalent as shown on Figure 6.
LOOPEN	I	Loopback Enable high selects the RLX and RLY inputs. LOOPEN low selects the RX and RY inputs.
REFCLK	I	The Reference Clock provides the clock needed by the clock recovery circuit. The REFCLK frequency shall be chosen to equal 1/40 of the baud rate. REFCLK shall have a frequency tolerance of 100 ppm to guarantee clock and data recovery on the receiver. The receiver automatically locks onto the REFCLK during power-up and/or when no input signals are applied. This prevents the PLL from drifting away from the input data rate. The PLL automatically locks onto the input data stream when it is applied. The frequency range of REFCLK is 25 MHz to 31.25 MHz.
SYNCEN	I	When Sync Enable is high, the receiver searches for a K28.5 character from the input data stream and byte aligns the parallel register to this character as defined in the Fibre Channel standard. SYNCEN low disables byte alignment to a K28.5 character and drives SYNC low. The K28.5 character has a pattern of RXD9..0 = 001111 1010 or 110000 0101. Whenever the receiver detects the K28.5 pattern it byte aligns to this character and drives SYNC high for that byte cycle. SYNC is high only in byte cycle where a K28.5 character is present.
RXD0..9	O	These are 10 Encoded Data Bits where the first bit received from the serial data stream is RXD9 and the last bit received is RXD0. The receiver generates RXCLK to strobe RXD0..9.
SYNC	O	If SYNCEN is high, Synchronization to K28.5 goes high for the byte clock cycle in which a K28.5 character is present on the RXD0..9 output. If SYNCEN is low then SYNC is always low.
RXCLK	O	Receiver Data Clock is the strobe for RXD0..9 and SYNC. The phase of RXCLK with respect to RXD0..9 and SYNC changes depending on CLKPOL. CLKPOL high provides a longer setup time and a shorter hold time while CLKPOL low provides a shorter setup time and a longer hold time. The frequency range of RXCLK is 50 MHz to 62.5 MHz in FC531 mode and 100 MHz to 125 MHz in FC1063 mode.
CLKPOL	O	Clock Phase or Polarity controls the phase of RXCLK with respect to RXD0..9 and SYNC. CLKPOL high provides a longer setup time and a shorter hold time while CLKPOL low provides a shorter setup time and a longer hold time.
RATESEL	I	Rate Select is used to select between 531 Mbaud (RATESEL=VDD) and 1063 Mbaud (RATESEL=GND) operation.

Layout Guidelines

Multiple ground and power pins on the TQ9501/02 reduce ground bounce. Good layout techniques, however, are necessary to guarantee proper operation and to meet the specifications across the full operating range. TriQuint recommends bypassing each of the V_{DD} supply pins to the nearest ground pin, as close to the chip as possible.

Figure 7 shows the recommended power layout for the TQ9501/02. The bypass capacitors should be located on the same side of the board as the TQ9501/02. The V_{DD} traces connect to an inner-layer V_{DD} plane. All of the ground pins (GND) are connected to a small ground plane on the surface beneath the chip. Multiple through-holes connect this small surface plane to an inner-layer ground plane. The capacitors are 0.1 μF . TriQuint's test board uses X7R temperature-stable capacitors in 1206 SMD cases.

Figure 7. Example Top Layer Layout of Power Pins (Not to scale)



Note: Series resistors and small capacitors may be needed for the TX data bus and clock lines. See the previous "Fibre Channel Interface" section in this datasheet for details.

Table 4. Absolute Maximum Ratings

Parameter	Range
Storage temperature	-65 °C to +150 °C
Case temperature	-55 °C to +125 °C
Supply voltage to ground	-0.5 V to +7.0 V
DC input voltage	-0.5 V to ($V_{DD} + 0.5$ V)
DC input current	30 mA to +5 mA
Package Thermal Resistance	$\theta_{jA} = 40$ °C/W; $\theta_{cA} = 8$ °C/W
Die Junction Temperature	$T_j = 150$ °C

Note: Stresses above those listed in Absolute Maximum Rating may cause permanent damage to the device. This is a stress-only rating and operation of the device at these or any other conditions above those indicated in the operational section of this specification is not implied.

Table 5. Operating Conditions

Parameter	Range
Supply voltage	5 V \pm 5
Ambient temperature	0 to 70 °C

Note: Proper functionality is guaranteed under these operating conditions.

Table 6. Test Loads

Symbol	Description	Test Conditions	Min.	Typ.	Max.	Unit
C_{IN}	Input capacitance	$V_{IN} = 2.0$ V at $f = 1$ MHz		6		pF
C_{OUT}	Output capacitance	$V_{OUT} = 2.0$ V at $f = 1$ MHz		9		pF

Table 7. DC Characteristics—TQ9501 Transmitter TTL Signals
(TXDO..9, TXCLK, BYTECLK, LOOPEN, SIGDET, REFCLK, RATESEL)
 (Over operating range unless otherwise specified)

Symbol	Description	Test Conditions	Min.	Limits ¹		Unit	
				Typ.	Max.		
V _{OH}	Output HIGH voltage	V _{DD} = Min V _{IN} ² = V _{IH} or V _{IL}	I _{OH} = -1.6 mA I _{OH} = -3.2 mA ³	2.4	3.2	V	
V _{OL}	Output LOW voltage	V _{DD} = Min V _{IN} ² = V _{IH} or V _{IL}	I _{OL} = 4 mA I _{OL} = 8 mA ³		0.2	0.5	V
I _{SC} ⁴	Output short-circuit current	V _{DD} = Max	V _{OUT} = 0.5 V	-15		-120	mA
I _{IL}	Input LOW current	V _{DD} = Max	V _{IN} = 0.4 V			-400	μA
I _{IH}	Input HIGH current	V _{DD} = Max	V _{IN} = 2.7 V			25	μA
I _I	Input HIGH current	V _{DD} = Max	V _{IN} = 5.5 V			1	mA
V _{IH} ⁵	Input HIGH level	Guaranteed input logical HIGH voltage for all inputs, V _{DD} = Max		2.0			V
V _{IL} ⁵	Input LOW level	Guaranteed input logical LOW voltage for all inputs				0.8	V
V _I	Input clamp voltage	V _{DD} = Min	I _{IN} = -18 mA			-1.2	V
I _{DD}	Power supply current	V _{DD} = Max, static			175	220	mA

Table 8. DC Characteristics—TQ9501 Transmitter PECL Signals (TX, TY, TLX, TLY, SIG, SIGN)

Symbol	Description	Test Conditions	Min.	Limits ¹		Unit
				Typ.	Max.	
V _{OH}	Output HIGH voltage	V _{DD} = Min PECL load	V _{DD} - 1.200		V _{DD} - 0.50	V
V _{OL}	Output LOW voltage	V _{DD} = Min PECL load	V _{DD} - 2.00		V _{DD} - 1.60	V
V _{CMO}	Output common mode voltage		V _{DD} - 1.60		V _{DD} - 1.10	V
DV _{OUT}	Output differential voltage		0.60		1.2	V
I _{IL}	Input LOW current	V _{DD} = Max	V _{IN} = 2.4 V		200	μA
I _{IH}	Input HIGH current	V _{DD} = Max	V _{IN} = V _{DD} - 0.5 V		250	μA
V _{IHS}	Highest input HIGH voltage	V _{DD} = Min			V _{DD} - 0.5	V
V _{ILS}	Lowest input LOW voltage	V _{DD} = Max	2.4			V
V _{DIF}	Differential input voltage	V _{DD} = Min	0.4		1.2	V
V _{ICM}	Input common mode voltage	V _{DD} = Min	2.8		V _{DD} - 0.7	V

Notes: 1. Typical limits are: V_{DD} = 5.0 V and T_A = 25 °C.

2. The TTL inputs could be HIGH or LOW.

3. The I_{OL} and I_{OH} specifications are valid only for the BYTECLK.

4. These are absolute values with respect to device ground.

5. No more than one output should be tested at a time. Duration of the short circuit should not exceed one second.

TQ9501/TQ9502

Table 9. DC Characteristics—TQ9502 Receiver TTL Signals (RXDO..9, RXCLK, SYNCEN, REFCLK, LOOPEN, SYNC, CLKPOL, RATESEL)
(Over operating range unless otherwise specified)

Symbol	Description	Test Conditions	Min.	Limits ¹		Unit	
				Typ.	Max.		
V _{OH}	Output HIGH voltage	V _{DD} = Min V _{IN} ² = V _{IH} or V _{IL}	I _{OH} = -1.6 mA = -3.2 mA ³	2.4	3.2	V	
V _{OL}	Output LOW voltage	V _{DD} = Min V _{IN} ² = V _{IH} or V _{IL}	I _{OL} = 4 mA = 8 mA ³	0.2	0.5	V	
I _{SC} ⁵	Output short-circuit current	V _{DD} = Max	V _{OUT} = 0.5 V	-15	-120	mA	
I _{IL}	Input LOW current	V _{DD} = Max	V _{IN} = 0.40 V		-400	μA	
I _{IH}	Input HIGH current	V _{DD} = Max	V _{IN} = 2.7 V		25	μA	
I _I	Input HIGH current	V _{DD} = Max	V _{IN} = 5.5 V		1	mA	
V _{IH} ⁴	Input HIGH level voltage for all inputs	Guaranteed input logical HIGH		2.0		V	
V _{IL} ⁴	Input LOW level voltage for all inputs	Guaranteed input logical LOW			0.8	V	
V _I	Input clamp voltage	V _{DD} = Min	I _{IN} = -18 mA		-1.2	V	
I _{DD}	Power supply current	V _{DD} = Max, static			280	350	mA

Table 10. DC Characteristics—TQ9502 Receiver PECL Signals (RX, RY, RTX, RTY, RLX, RLY, RLTX, RLTY)

Symbol	Description	Test Conditions	Min.	Limits ¹		Unit
				Typ.	Max.	
I _{IL}	Input LOW current	V _{DD} = Max	V _{IN} = 2.4 V	0.5		μA
I _{IH}	Input HIGH current	V _{DD} = Max	V _{IN} = V _{DD} - 0.5 V		250	μA
V _{IHS}	Highest input HIGH voltage	V _{DD} = Max			V _{DD} - 0.50	V
V _{ILS}	Lowest input LOW voltage	V _{DD} = Min		2.4		V
V _{DIF}	Differential input voltage	V _{DD} = Min		0.4	1.2	V
V _{ICM}	Input common mode voltage	V _{DD} = Min		2.8	V _{DD} - 0.7	V

- Notes:
1. Typical limits are: V_{DD} = 5.0 V and T_A = 25 °C.
 2. The TTL inputs could be HIGH or LOW.
 3. The I_{OL} and I_{OH} specifications are valid only for the RXCLK.
 4. These are absolute values with respect to device ground.
 5. No more than one output should be tested at a time. Duration of the short circuit should not exceed one second.

Table 12. AC Specifications—TQ9501 Transmitter

Parameters with dual values refer to 531Mbaud/1063Mbaud operation respectively.

Parameter	Description	Min.	Typ.	Max.	Units
T ₁	REFCLK pulse width HIGH	10.0			ns
T ₂	REFCLK pulse width LOW	10.0			ns
T ₃ ¹	REFCLK period (T)	32.0		40.0	ns
T ₄	TXD 9..0 setup time	2.0			ns
T ₅	TXD 9..0 hold time	2.0			ns
T ₆	BYTECLK, TXCLK pulse width HIGH	6.0/3.0			ns
T ₇	BYTECLK, TXCLK pulse width LOW	6.0/3.0			ns
T ₈	BYTECLK, TXCLK period (T)	16.0/8.0		20.0/10.0	ns
T ₉	TX, TY, TLX, TLY rise time	100		400/300	ps
T ₁₀	TX, TY, TLX, TLY fall time	100		400/300	ps
T ₁₁	TX ~ TY or TLX ~ TLY skew			100/60	ps
T ₁₂ ³	TX, TY or TLX, TLY output jitter – deterministic jitter (DJ) – random jitter (RJ)			100/75 200/150	ps ps

Notes: 1. REFCLK Tolerance = (20/baud rate) ±0.01%, for baud rate of 500Mbaud to 625Mbaud and (40/baud rate) ± 0.01%, for baud rate of 1 Gbaud to 1.25 Gbaud.
 2. baud time = 1/baud rate
 3. The jitter numbers are for a BER of 10⁻¹².

Figure 8. Bus Timing – TQ9501 Transmitter

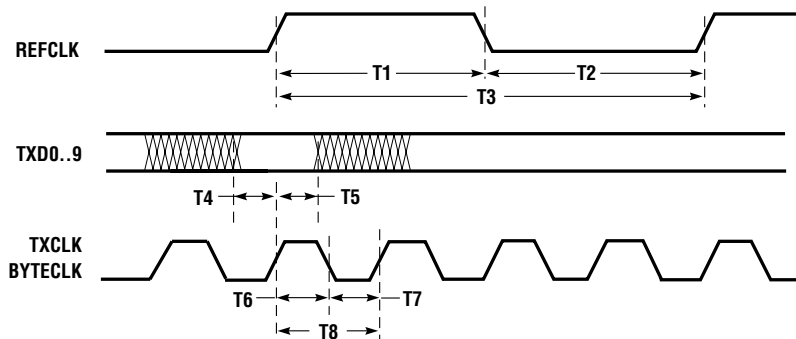
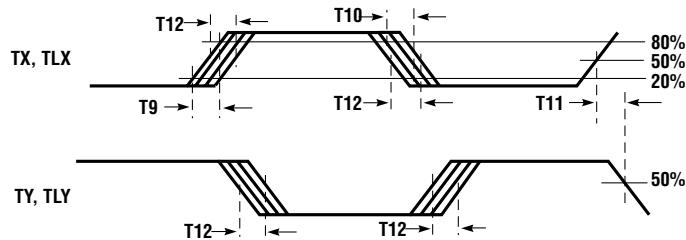


Figure 9. Serial Output Timing – TQ9501



TQ9501/TQ9502

Table 12. AC Specifications—TQ9502 Receiver

Parameters with dual values refer to 531Mbaud/1063Mbaud operation respectively.

Parameter	Description	Min.	Typ.	Max.	Units
T ₂₁	REFCLK pulse width LOW	10.0			ns
T ₂₂	REFCLK pulse width HIGH	10.0			ns
T ₂₃ ¹	REFCLK period	32.0	40.0	ns	
T ₂₄	Setup Time RXD 0..9 & SYNC	CLKPOL=0	4.0/2.0		ns
		CLKPOL=1	12.0/6.0		ns
T ₂₅	Hold Time RXD 0..9 & SYNC	CLKPOL=0	8.0/4.0		ns
		CLKPOL=1	0		ns
T ₂₆ ¹	RXCLK period	16.0/8.0		20.0/10.0	ns
T ₂₇ ¹	RXCLK pulse width HIGH	6.0/4.0			ns
T ₂₈ ¹	RXCLK pulse width LOW	6.0/4.0			ns
T ₂₉	RX, RY, RLX, RLY rise time			0.4 baud time	ns
T ₃₀	RX, RY, RLX, RLY fall time			0.4 baud time	ns
T ₃₁	RX ~ RY, RLX ~ RLY skew			0.3 baud time	ns
T ₃₂	RX, RY, RLX, RLY peak-to-peak input jitter			0.7 baud time	ns

- Notes: 1. REFCLK Tolerance = (20/baud rate) ±0.01%, for baud rate of 500Mbaud to 625Mbaud and (40/baud rate) ± 0.01%, for baud rate of 1 Gbaud to 1.25 Gbaud.
 2. baud time = 1/baud Rate
 3. The jitter numbers are for a BER of 10⁻¹².

Table 13. Synchronization Times

Description	Min.	Typ.	Max.	Units
Power Up or application of REFCLK to receiver synchronization			1	ms
Application of valid data to receiver synchronization			200	μs
Receiver resynchronization after phase shift on data			2500	bit time

Figure 10. Bus Timing – TQ9502 Receiver

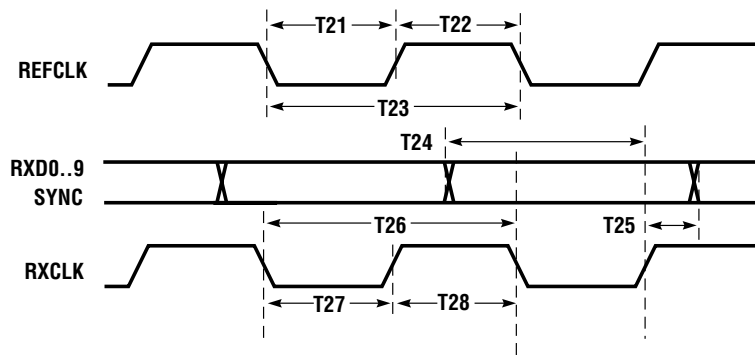


Figure 11. Serial Input Timing – TQ9502

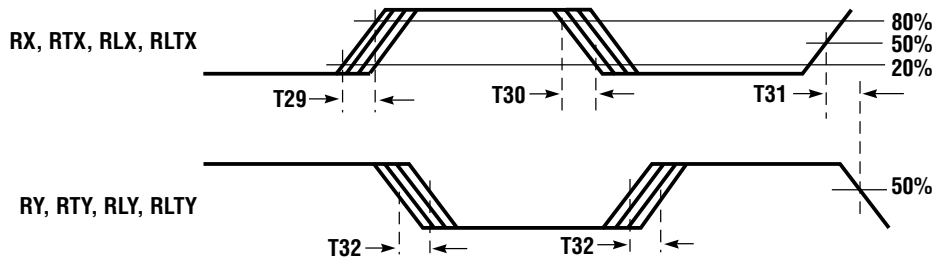


Figure 12a. TTL Test Load, RXCLK

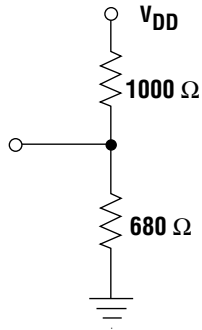


Figure 12b. TTL Test Load, All Other TLL Outputs

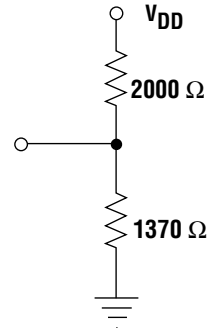
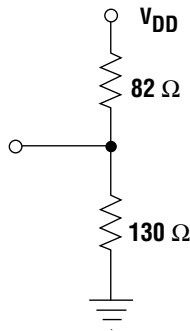


Figure 12c. PECL Test Load



DATACOM PRODUCTS

TQ9501/TQ9502

Figure 13. Pinout for Transmitter

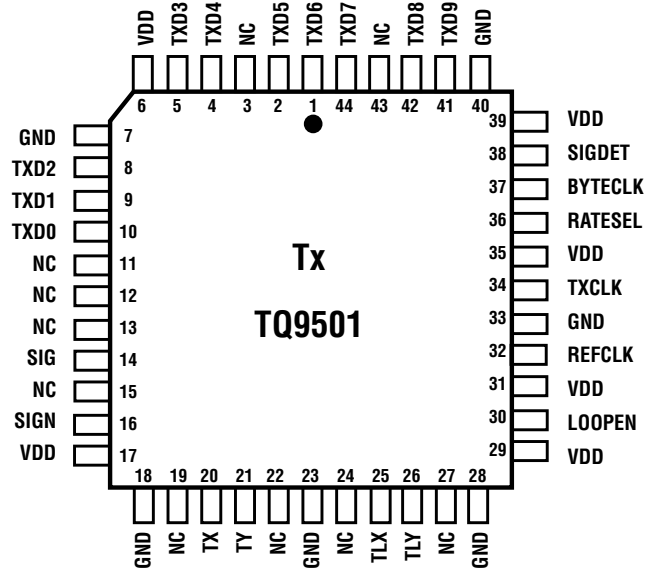
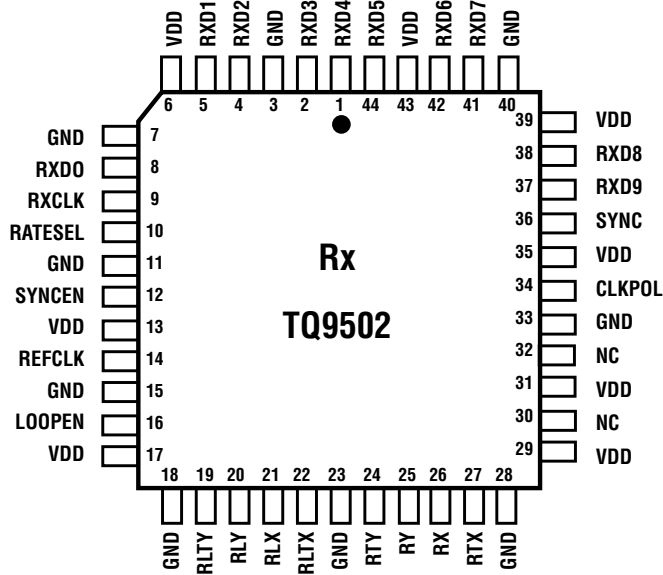


Table 14. Pin Definitions – TQ9501 Transmitter

Symbol	Pin #	I/O	# Pins	Logic Type	Active	Description
TX, TY	20, 21	Output	2	PECL	NRZ	Differential serial data output
TLX, TLY	25, 26	Output	2	PECL	NRZ	Loopback differential serial data output
SIG, SIGN	14, 16	Input	2	PECL	HIGH	Differential optical signal present
TXCLK	34	Input	1	TTL	HIGH	Transmit clock
TXD 0..9	10, 9, 8, 5, 4, 2, 1, 44, 42, 41	Input	10	TTL	HIGH	Transmit data input
LOOPEN	30	Input	1	TTL	HIGH	Enable loopback
SIGDET	38	Output	1	TTL	HIGH	Signal detect
REFCLK	32	Input	1	TTL	HIGH	Oscillator clock (25 to 31.25 MHz)
BYTECLK	37	Output	1	TTL	HIGH	Byte clock
VDD	6, 17, 29, 31, 35, 39	—	6	—	—	+5 Volt Supply
GND	7, 18, 23, 28, 33, 40	—	6	—	—	Ground
NC	3, 11, 12, 13, 15, 19, 22, 24, 27, 43	—	10	—	—	No Connect
RATESEL	36	Input	1	—	—	VDD (1) for 531Mbaud operation Ground (0) for 1063Mbaud operation

Figure 14. Pinout for Receiver



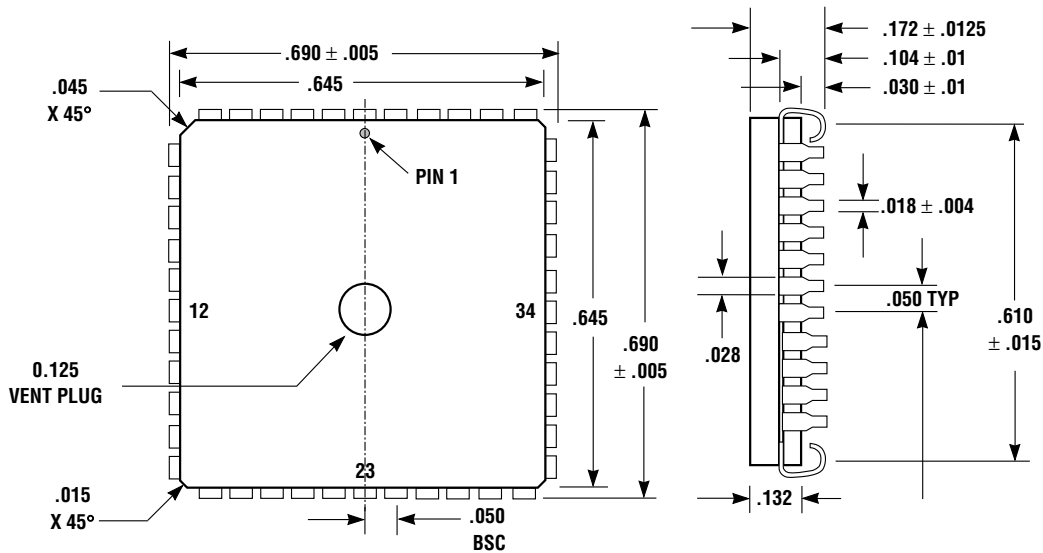
DATACOM PRODUCTS

Table 15. Pin Definitions - TQ9502 Receiver

Symbol	Pin #	I/O	# Pins	Logic Type	Active	Description
RX, RY	26, 25	I	2	PECL	NRZ	Differential serial data input
RLX, RLY	21, 20	I	2	PECL	NRZ	Differential serial data input, loopback
RTX, RTY	27, 24	I	2	PECL	NRZ	For fly-by termination
RLTX, RLTY	22, 19	I	2	PECL	NRZ	For fly-by termination
RXD 0..9	8, 5, 4, 2, 1, 44, 42, 41, 38, 37	O	10	TTL	HIGH	Receive output data
RXCLK	9	O	1	TTL	HIGH	Receive clock
REFCLK	14	I	1	TTL	HIGH	Oscillator clock (25 MHz to 31.25 MHz)
SYNC	36	O	1	TTL	HIGH	Receive byte sync
SYNCEN	12	I	1	TTL	HIGH	Sync Enable or Align to K28.5
LOOPEN	16	I	1	TTL	HIGH	Enable loopback
CLKPOL	34	I	1	TTL	LOW	RXCLK Clock Phase
VDD	6, 13, 17, 29, 31, 35, 39, 43	—	8	—	—	+5 V supply
GND	3, 7, 11, 15, 18, 23, 28, 33, 40	—	9	—	—	Ground
NC	30, 32	—	2	—	—	No connect
RATESEL	10	I	1	—	—	VDD(1) for 531Mbaud operation Ground(0) for 1063 Mbaud operation

TQ9501/TQ9502

Figure 15. 44-Pin MQuad J-leaded Package



Ordering Information

TQ9501-MC FC531/1063 Transmitter

TQ9502-MC FC531/1063 Receiver

Additional Information

For latest specifications, additional product information, worldwide sales and distribution locations, and information about TriQuint:

Web: www.triquint.com **Tel:** (503) 615-9000

Email: sales@tqs.com **Fax:** (503) 615-8900

For technical questions and additional information on specific applications:

Email: applications@tqs.com

The information provided herein is believed to be reliable; TriQuint assumes no liability for inaccuracies or omissions. TriQuint assumes no responsibility for the use of this information, and all such information shall be entirely at the user's own risk. Prices and specifications are subject to change without notice. No patent rights or licenses to any of the circuits described herein are implied or granted to any third party. TriQuint does not authorize or warrant any TriQuint product for use in life-support devices and/or systems.

Copyright © 1997 TriQuint Semiconductor, Inc. All rights reserved.

Revision 1.1.A November 1997