

1,048,576 WORDS×36 BIT DYNAMIC RAM MODULE

DESCRIPTION

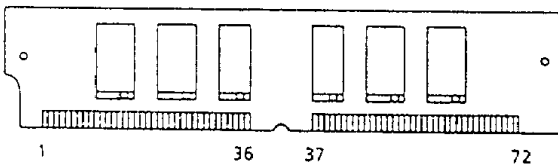
The THM361020S is a 1,048,576 words by 36 bits dynamic RAM module which assembled 8 pcs of TC514400J and 4 pcs of TC511000AJ on the printed circuit board. The THM361020S can be as well used as 2,097,152 words by 18 bits dynamic RAM module, by means of connecting DQ0 and DQ18, DQ1 and DQ19, DQ2 and DQ20,, DQ17 and DQ35, respectively. The THM361020S is optimized for application to the systems which are required high density and large capacity such as main memory of the computers and as image memory systems, and to the others which are requested compact size.

FEATURES

- 1,048,576 words by 36 bits organization
- Fast access time and cycle time
- Single power supply of 5V±10%
- Low power
6,160mW MAX. Operating (THMxxxxxx-80)
5,280mW MAX. Operating (THMxxxxxx-10)
66mW MAX. Standby
- CAS before RAS refresh, RAS only refresh, Hidden refresh, and Fast Page Mode capability.
- All inputs and outputs TTL compatible
- 1024 Refresh cycles/ 8ms (Burst Refresh)
- 1024 Refresh cycles/16ms (Distributed Refresh)
- Tin-Lead Contact: THM361020S-80,10
- Gold Contact: THM361020SG-80,10

	THM361020 S-80	THM361020 S-10
t _{RAC} RAS Access Time	80ns	100ns
t _{AA} Column Address Access Time	40ns	50ns
t _{CAC} CAS Access Time	20ns	25ns
t _{RC} Cycle Time	150ns	180ns
t _{PC} Fast Page Mode Cycle Time	50ns	60ns

PIN CONNECTION (TOP VIEW)



PIN NAMES

A0~A9	Address Inputs
DQ0~DQ35	Data Input/Outputs
CAS0~CAS3	Column Address Strobe
RAS0, RAS2	Row Address Strobe
W	Read/Write Input
V _{CC}	Power (+5V)
V _{SS}	Ground
PD	Presence Detect Pin

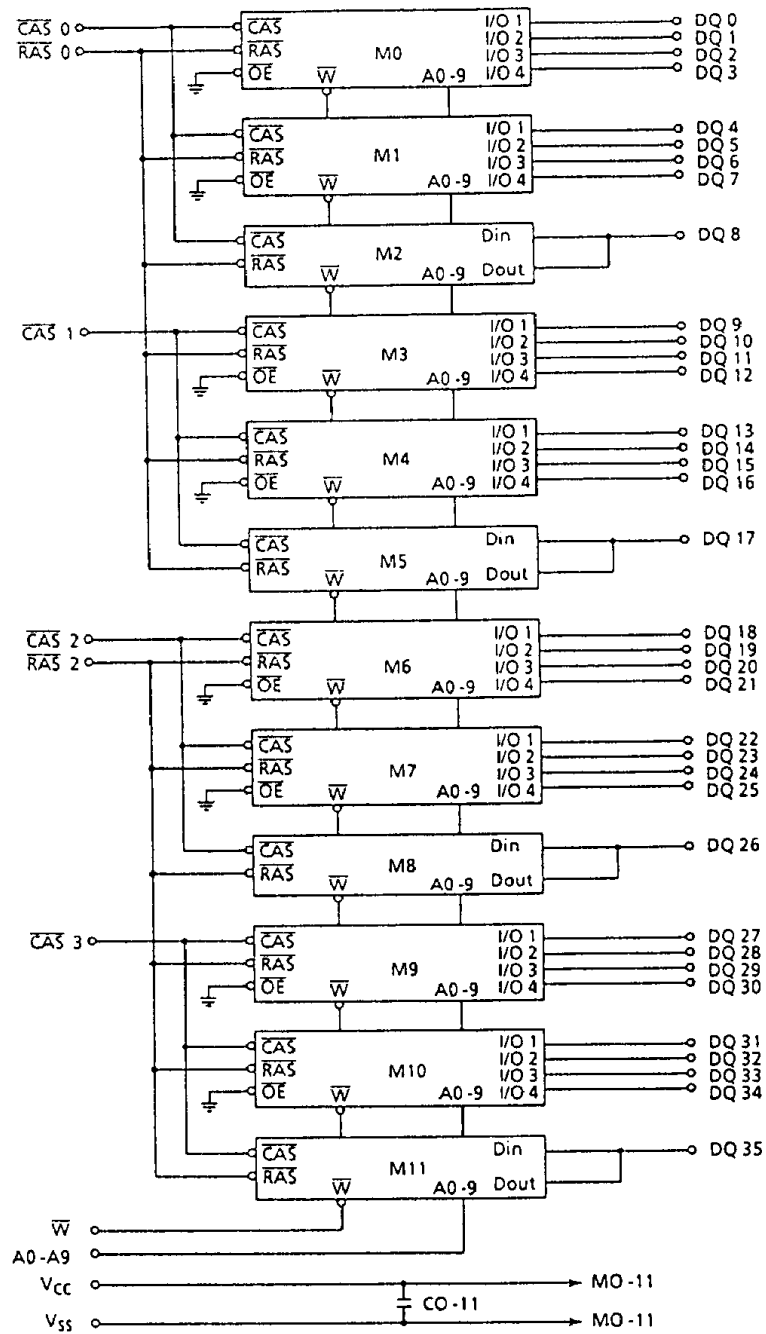
1	V _{SS}	13	A1	25	DQ24	37	DQ17	49	DQ9	61	DQ14
2	DQ0	14	A2	26	DQ7	38	DQ35	50	DQ27	62	DQ33
3	DQ16	15	A3	27	DQ25	39	V _{SS}	51	DQ10	63	DQ15
4	DQ1	16	A4	28	A7	40	CAS0	52	DQ28	64	DQ34
5	DQ19	17	A5	29	NC	41	CAS2	53	DQ11	65	DQ16
6	DQ2	18	A6	30	V _{CC}	42	CAS3	54	DQ29	66	NC
7	DQ20	19	NC	31	A8	43	CAS1	55	DQ12	67	PD0
8	DQ3	20	DQ4	32	A9	44	RAS0	56	DQ30	68	PD1
9	DQ21	21	DQ22	33	NC	45	NC	57	DQ13	69	PD2
10	V _{CC}	22	DQ5	34	RAS2	46	NC	58	DQ31	70	PD3
11	NC	23	DQ23	35	DQ26	47	W	59	V _{CC}	71	NC
12	A0	24	DQ6	36	DQ8	48	NC	60	DQ32	72	V _{SS}

	- 80	- 10
PD0	V _{SS}	V _{SS}
PD1	V _{SS}	V _{SS}
PD2	NC	V _{SS}
PD3	V _{SS}	V _{SS}

THM361020S-80, 10

THM361020SG-80, 10

BLOCK DIAGRAM



ABSOLUTE MAXIMUM RATINGS

ITEM	SYMBOL	RATING	UNITS	NOTES
Input Voltage	V_{IN}	-1.0~7.0	V	1
Output Voltage	V_{OUT}	-1.0~7.0	V	1
Power Supply Voltage	V_{CC}	-1.0~7.0	V	1
Operating Temperature	T_{OPR}	0~70	°C	1
Storage Temperature	T_{STG}	-55~125	°C	1
Soldering Temperature · Time	T_{SOLDER}	260 · 10	°C · sec	1
Power Dissipation	P_D	7.2	W	1
Short Circuit Output Current	I_{OUT}	50	mA	1

RECOMMENDED DC OPERATING CONDITIONS ($T_a = 0 \sim 70^\circ\text{C}$)

SYMBOL	PARAMETER	MIN.	TYP.	MAX.	UNIT	NOTES
V_{CC}	Supply Voltage	4.5	5.0	5.5	V	2
V_{IH}	Input High Voltage	2.4	-	6.5	V	2
V_{IL}	Input Low Voltage	-1.0	-	0.8	V	2

THM361020S-80, 10

THM361020SG-80, 10

DC ELECTRICAL CHARACTERISTICS ($V_{CC} = 5V \pm 10\%$, $T_a = 0 \sim 70^\circ C$)

SYMBOL	PARAMETER	MIN.	MAX.	UNITS	NOTES
I_{CC1}	OPERATING CURRENT				
	Average Power Supply Operating Current (\overline{RAS} , \overline{CAS} , Address Cycling: $t_{RC} = t_{RC} \text{ MIN.}$)			mA	3, 4
		THM361020S-80	-		
		THM361020S-10	-	960	
I_{CC2}	STANDBY CURRENT Power Supply Standby Current ($\overline{RAS} = \overline{CAS} = V_{IH}$)	-	24	mA	
I_{CC3}	\overline{RAS} ONLY REFRESH CURRENT				
	Average Power Supply Current, \overline{RAS} Only Mode (\overline{RAS} Cycling, $\overline{CAS} = V_{IH}$; $t_{RC} = t_{RC} \text{ MIN.}$)			mA	3
		THM361020S-80	-		
		THM361020S-10	-	960	
I_{CC4}	FAST PAGE MODE CURRENT				
	Average Power Supply Current, Fast Page Mode ($\overline{RAS} = V_{IL}$, \overline{CAS} Address Cycling: $t_{PC} = t_{PC} \text{ MIN.}$)			mA	3, 4
		THM361020S-80	-		
		THM361020S-10	-	640	
I_{CC5}	STANDBY CURRENT Power Supply Standby Current ($\overline{RAS} = \overline{CAS} = V_{CC} - 0.2V$)	-	12	mA	
I_{CC6}	\overline{CAS} BEFORE \overline{RAS} REFRESH CURRENT				
	Average Power Supply Current, \overline{CAS} Before \overline{RAS} Mode (\overline{RAS} , \overline{CAS} Cycling: $t_{RC} = t_{RC} \text{ MIN.}$)			mA	3
		THM361020S-80	-		
		THM361020S-10	-	960	
$I_{I(L)}$	INPUT LEAKAGE CURRENT Input Leakage Current, any Input ($0V \leq V_{IN} \leq 6.5V$, All Other Pins not under Test = $0V$)	- 120	120	μA	
$I_{O(L)}$	OUTPUT LEAKAGE CURRENT (D_{OUT} is disabled, $0V \leq V_{OUT} \leq 5.5V$)	- 10	10	μA	
I_{OH}	OUTPUT LEVEL Output "H" Level Voltage ($I_{OUT} = -5mA$)	2.4	-	V	
V_{OL}	OUTPUT LEVEL Output "L" Level Voltage ($I_{OUT} = 4.2mA$)	-	0.4	V	

ELECTRICAL CHARACTERISTICS AND RECOMMENDED AC OPERATING CONDITIONS

($V_{CC} = 5V \pm 10\%$, $T_a = 0 \sim 70^\circ C$) (Notes 5, 6, 7)

SYMBOL	PARAMETER	THM361020S-80		THM361020S-10		UNIT	NOTES
		MIN.	MAX.	MIN.	MAX.		
t_{RC}	Random Read or Write Cycle Time	150	-	180	-	ns	
t_{PC}	Fast Page Mode Cycle Time	50	-	60	-	ns	
t_{RAC}	Access Time from \overline{RAS}	-	80	-	100	ns	8, 13
t_{CAC}	Access Time from \overline{CAS}	-	20	-	25	ns	8, 13
t_{AA}	Access Time from Column Address	-	40	-	50	ns	8, 14
t_{CPA}	Access Time from \overline{CAS} Precharge	-	45	-	55	ns	8
t_{CLZ}	\overline{CAS} to Output in Low-Z	0	-	0	-	ns	8
t_{OFF}	Output Buffer Turn-off Delay	0	20	0	20	ns	9
t_T	Transition Time (Rise and Fall)	3	50	3	50	ns	7
t_{RP}	\overline{RAS} Precharge Time	60	-	70	-	ns	
t_{RAS}	\overline{RAS} Pulse Width	80	10,000	100	10,000	ns	
t_{RASP}	\overline{RAS} Pulse Width (Fast Page Mode)	80	200,000	100	200,000	ns	
t_{RSH}	\overline{RAS} Hold Time	20	-	25	-	ns	
t_{CSH}	\overline{CAS} Hold Time	80	-	100	-	ns	
t_{CAS}	\overline{CAS} Pulse Width	20	10,000	25	10,000	ns	
t_{RCD}	\overline{RAS} to \overline{CAS} Delay Time	20	60	25	75	ns	13
t_{RAD}	\overline{RAS} to Column Address Delay Time	15	40	20	50	ns	14
t_{CRP}	\overline{CAS} to \overline{RAS} Precharge Time	5	-	10	-	ns	
t_{CP}	\overline{CAS} Precharge Time (Fast Page Mode)	10	-	10	-	ns	
t_{ASR}	Row Address Set-Up Time	0	-	0	-	ns	
t_{RAH}	Row Address Hold Time	10	-	15	-	ns	
t_{ASC}	Column Address Set-Up Time	0	-	0	-	ns	
t_{CAH}	Column Address Hold Time	15	-	20	-	ns	
t_{AR}	Column Address Hold Time referenced to \overline{RAS}	60	-	75	-	ns	
t_{RAL}	Column Address to \overline{RAS} Lead Time	40	-	50	-	ns	
t_{RCS}	Read Command Set-Up Time	0	-	0	-	ns	
t_{RCH}	Read Command Hold Time	0	-	0	-	ns	10
t_{RRH}	Read Command Hold Time referenced to \overline{RAS}	0	-	0	-	ns	10
t_{WCH}	Write Command Hold Time	15	-	20	-	ns	
t_{WCR}	Write Command Hold Time referenced to \overline{RAS}	60	-	75	-	ns	

THM361020S-80, 10

THM361020SG-80, 10

ELECTRICAL CHARACTERISTICS AND RECOMMENDED AC OPERATING CONDITIONS (Continued)

SYMBOL	PARAMETER	THM361020S-80		THM361020S-10		UNIT	NOTES
		MIN.	MAX.	MIN.	MAX.		
t_{WP}	Write Command Pulse Width	15	-	20	-	ns	
t_{RWL}	Write Command to \overline{RAS} Lead Time	20	-	25	-	ns	
t_{CWL}	Write Command to \overline{CAS} Lead Time	20	-	25	-	ns	
t_{DS}	Data Set-Up Time	0	-	0	-	ns	11
t_{DH}	Data Hold Time	15	-	20	-	ns	11
t_{DHR}	Data Hold Time referenced to \overline{RAS}	60	-	75	-	ns	
t_{REF}	Refresh Period	-	16	-	16	ms	
t_{WCS}	Write Command Set-UP Time	0	-	0	-	ns	12
t_{CSR}	\overline{CAS} Set-Up Time (\overline{CAS} before \overline{RAS} Cycle)	5	-	10	-	ns	
t_{CHR}	\overline{CAS} Hold Time (\overline{CAS} before \overline{RAS} Cycle)	15	-	20	-	ns	
t_{RPC}	\overline{RAS} to \overline{CAS} Precharge Time	0	-	0	-	ns	
t_{CPT}	\overline{CAS} Precharge Time (\overline{CAS} before \overline{RAS} Counter Test Cycle)	40	-	50	-	ns	
t_{WRP}	WRITE to \overline{RAS} Precharge Time (\overline{CAS} before \overline{RAS} Cycle)	10	-	10	-	ns	
t_{WRH}	WRITE to \overline{RAS} Hold Time (\overline{CAS} before \overline{RAS} Cycle)	10	-	10	-	ns	

CAPACITANCE ($V_{CC} = 5V \pm 10\%$, $f = 1MHz$, $T_a = 0 \sim 70^\circ C$)

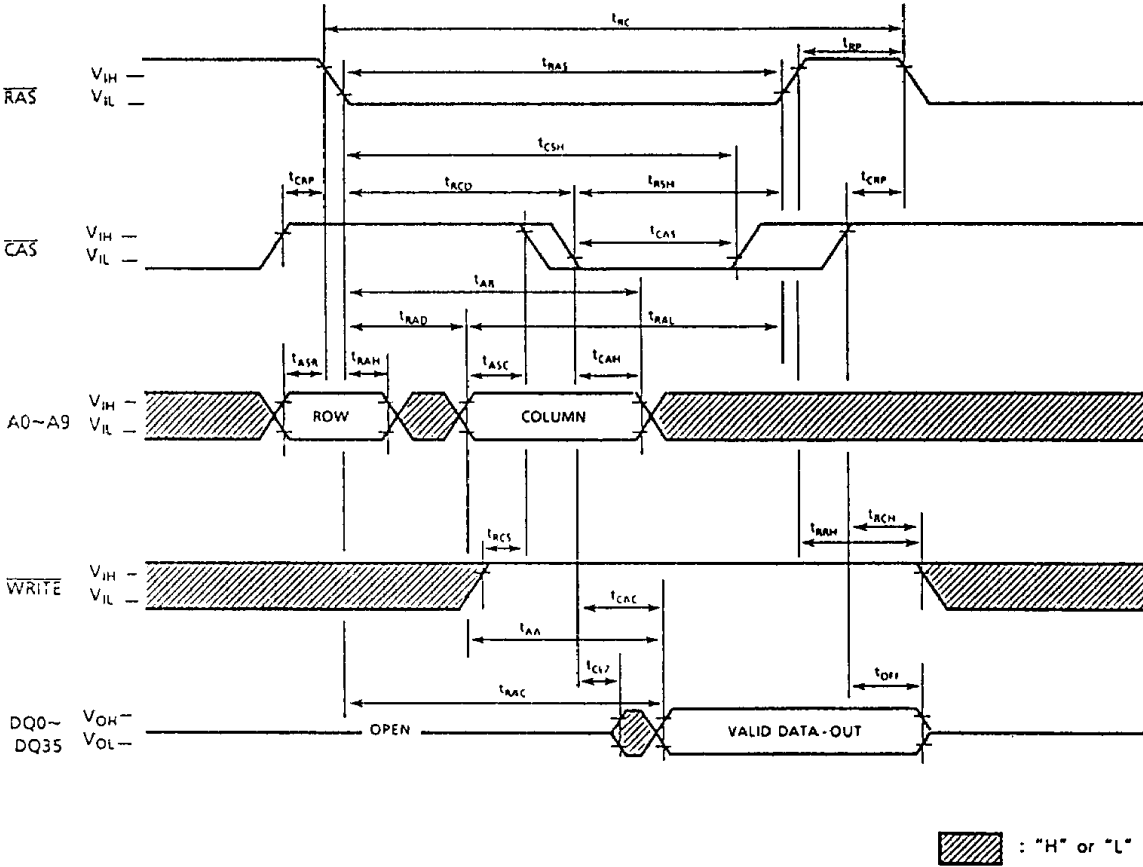
SYMBOL	PARAMETER	MIN.	MAX.	UNIT
C11	Input Capacitance (A0~A9)	-	88	pF
C12	Input Capacitance (\overline{W})	-	84	pF
C13	Input Capacitance ($\overline{RAS0}$, $\overline{RAS2}$)	-	42	pF
C14	Input Capacitance ($\overline{CAS0} \sim \overline{CAS3}$)	-	36	pF
CDQ1	I/O Capacitance (DQ0~7, 9~16, 18~25, 27~34)	-	17	pF
CDQ2	I/O Capacitance (DQ8, 17, 26, 35)	-	22	pF

NOTES:

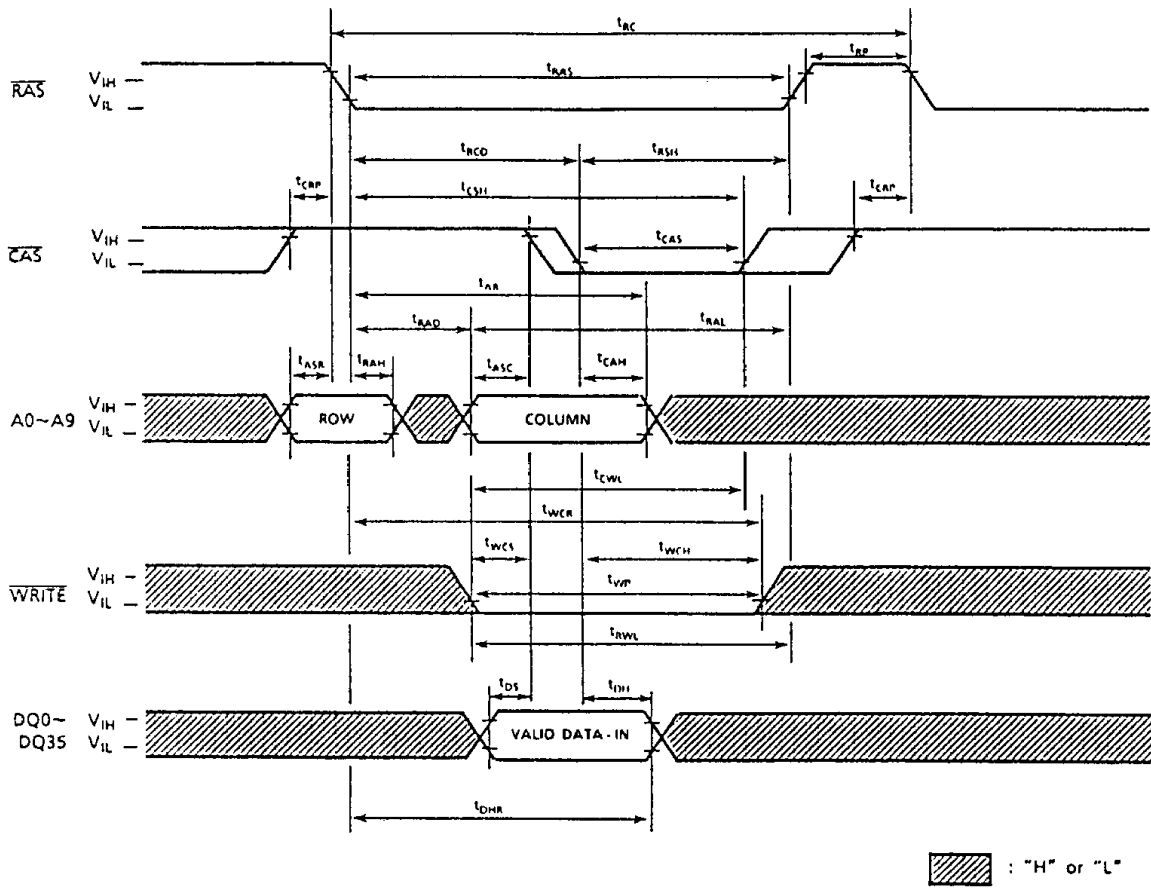
1. Stresses greater than those listed under "Absolute Maximum Ratings" may cause permanent damage to the device.
2. All voltages are referenced to V_{SS} .
3. ICC_1 , ICC_3 , ICC_4 , ICC_6 depend on cycle rate.
4. ICC_1 , ICC_4 depend on output loading. Specified values are obtained with the output open.
5. An initial pause of 200 μ s is required after power-up followed by 8 \overline{RAS} cycles before proper device operation is achieved. In case of using internal refresh counter, a minimum of 8 \overline{CAS} before \overline{RAS} initialization cycles instead of 8 \overline{RAS} cycles are required.
6. AC measurements assume $t_T=5$ ns.
7. $V_{IH}(\text{min.})$ and $V_{IL}(\text{max.})$ are reference levels for measuring timing of input signals. Also, transition times are measured between V_{IH} and V_{IL} .
8. Measured with a load equivalent to 2 TTL loads and 100pF.
9. $t_{OFF}(\text{max.})$ defines the time at which the output achieves the open circuit condition and is not referenced to output voltage levels.
10. Either t_{RCH} or t_{RRH} must be satisfied for a read cycle.
11. These parameters are referenced to \overline{CAS} leading edge.
12. t_{WCS} is not restrictive operating parameters. This is included the data sheet as electrical characteristics only. If $t_{WCS} \geq t_{WCS}(\text{min.})$, the cycle is an early write cycle and data out pin will remain open circuit (high impedance).
13. Operation within the $t_{RCD}(\text{max.})$ limit insures that $t_{RAC}(\text{max.})$ can be met. $t_{RCD}(\text{max.})$ is specified as a reference point only: If t_{RCD} is greater than the specified $t_{RCD}(\text{max.})$ limit, then access time is controlled by t_{CAC} .
14. Operation within the $t_{RAD}(\text{max.})$ limit, insures that $t_{RAC}(\text{max.})$ can be met. $t_{RAD}(\text{max.})$ is specified as a reference point only: If t_{RAD} is greater than the specified $t_{RAD}(\text{max.})$ limit, then access time is controlled by t_{AA} .

THM361020S-80, 10 THM361020SG-80, 10

READ CYCLE



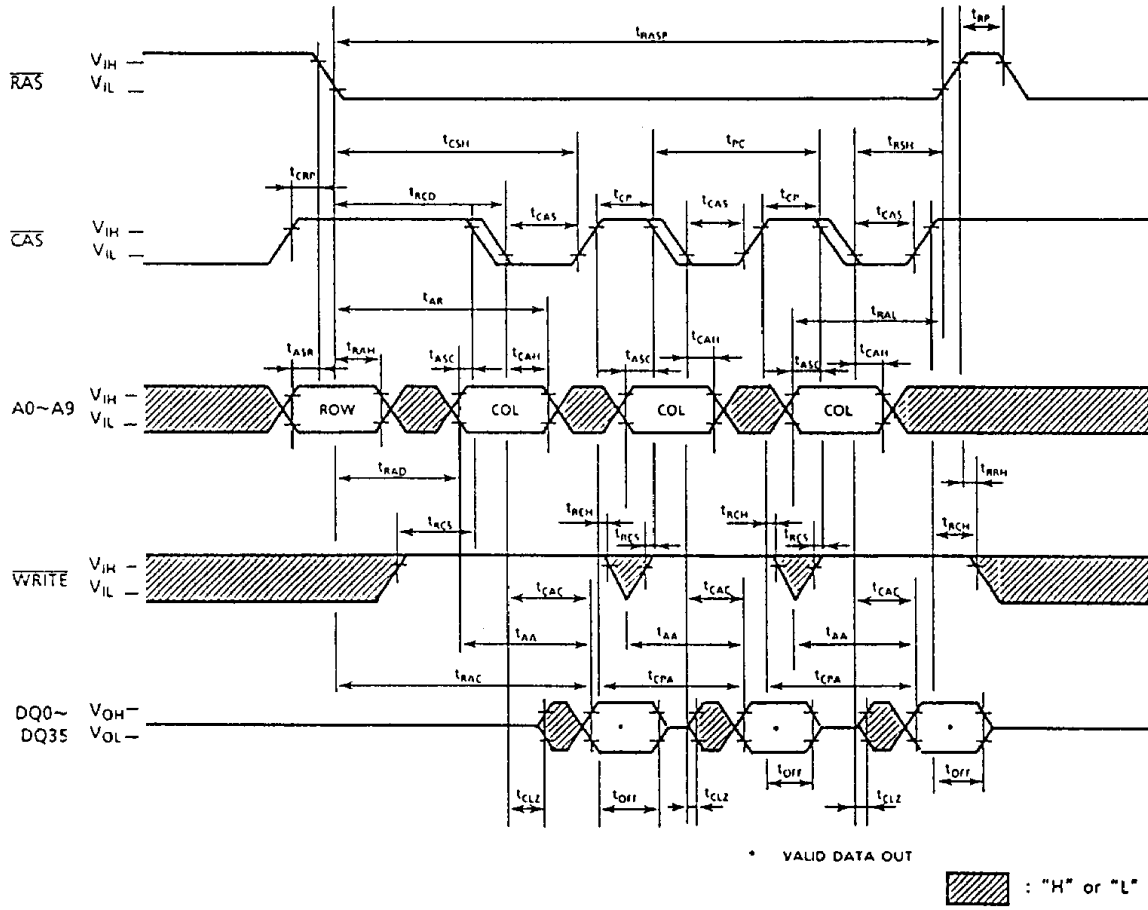
EARLY WRITE CYCLE



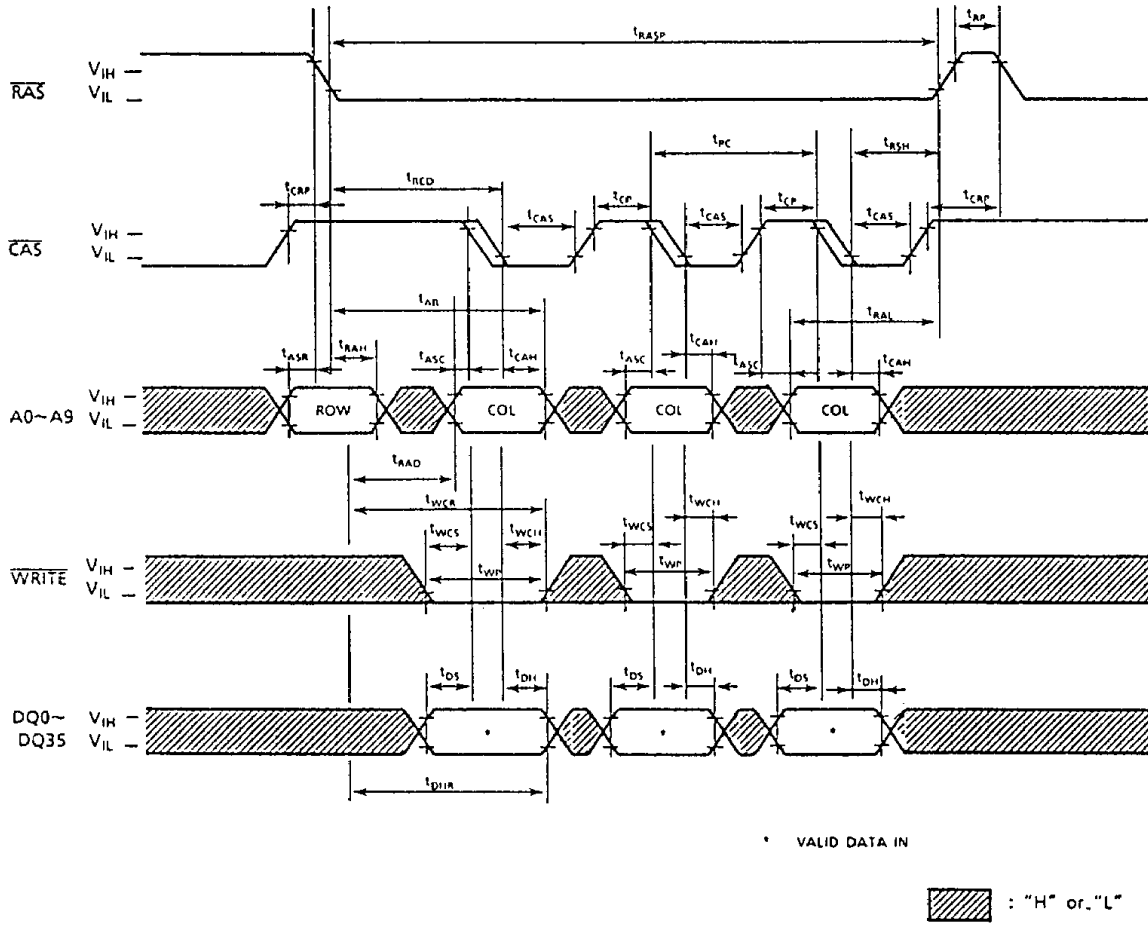
THM361020S-80, 10

THM361020SG-80, 10

FAST PAGE MODE READ CYCLE

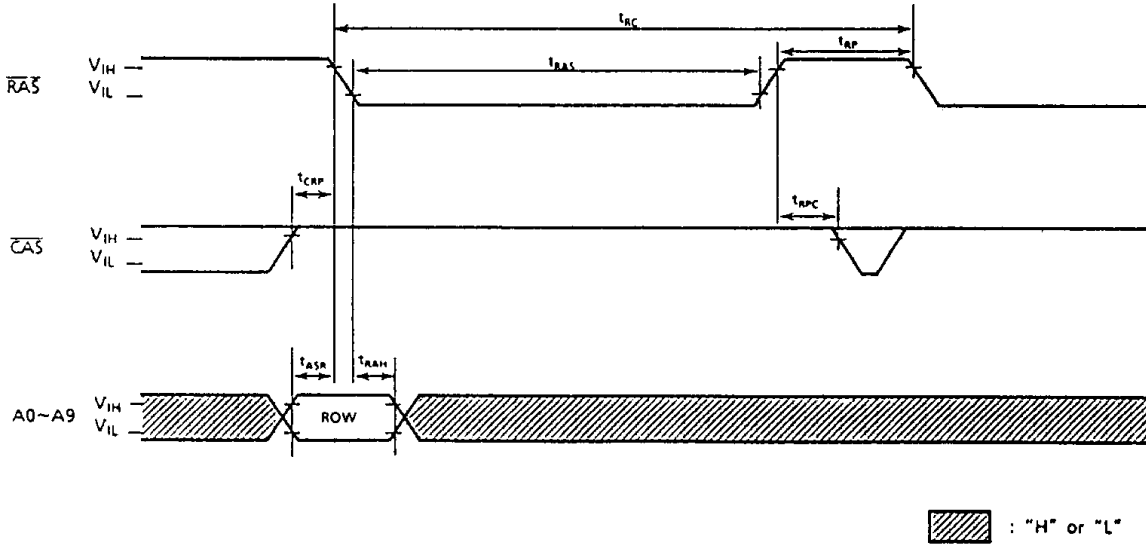


FAST PAGE MODE WRITE CYCLE (EARLY WRITE)



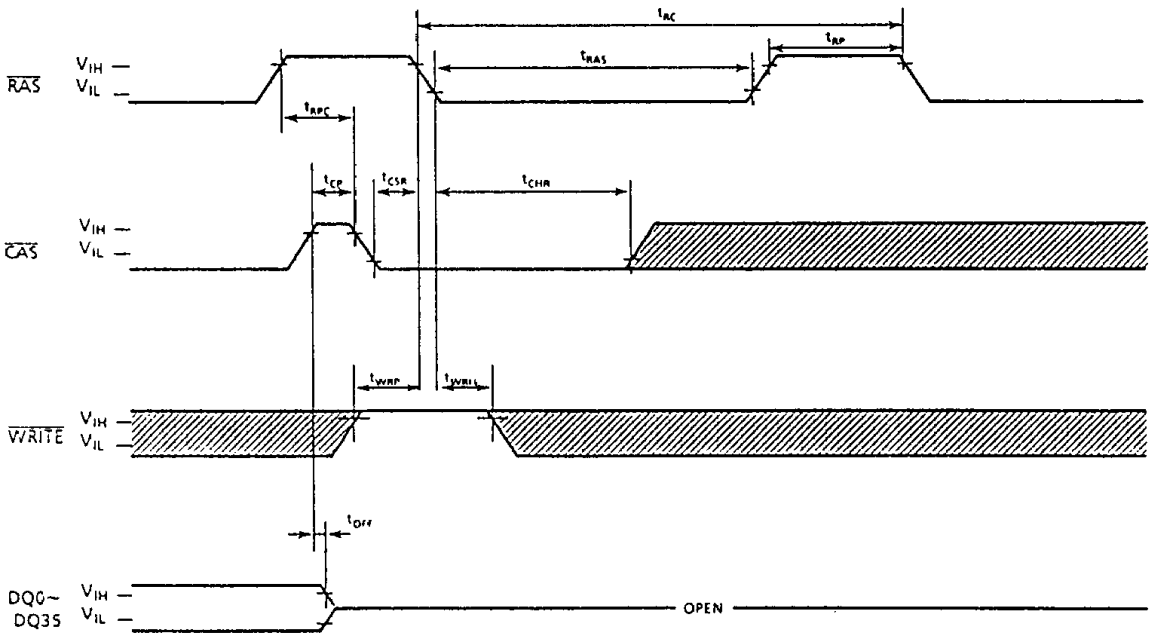
THM361020S-80, 10
THM361020SG-80, 10


RAS ONLY REFRESH CYCLE



Note: \overline{WRITE} = "H" or "L"

CAS BEFORE RAS REFRESH CYCLE

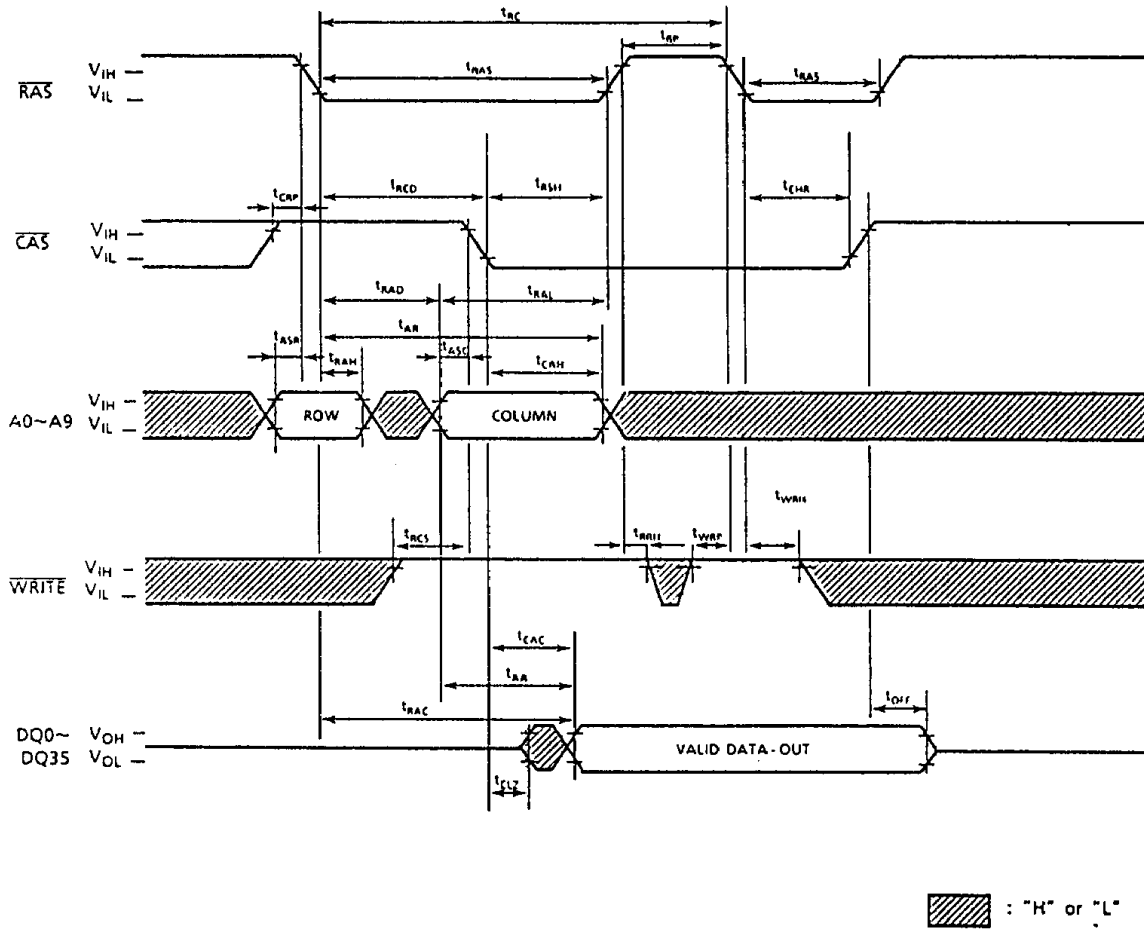


 : "H" or "L"

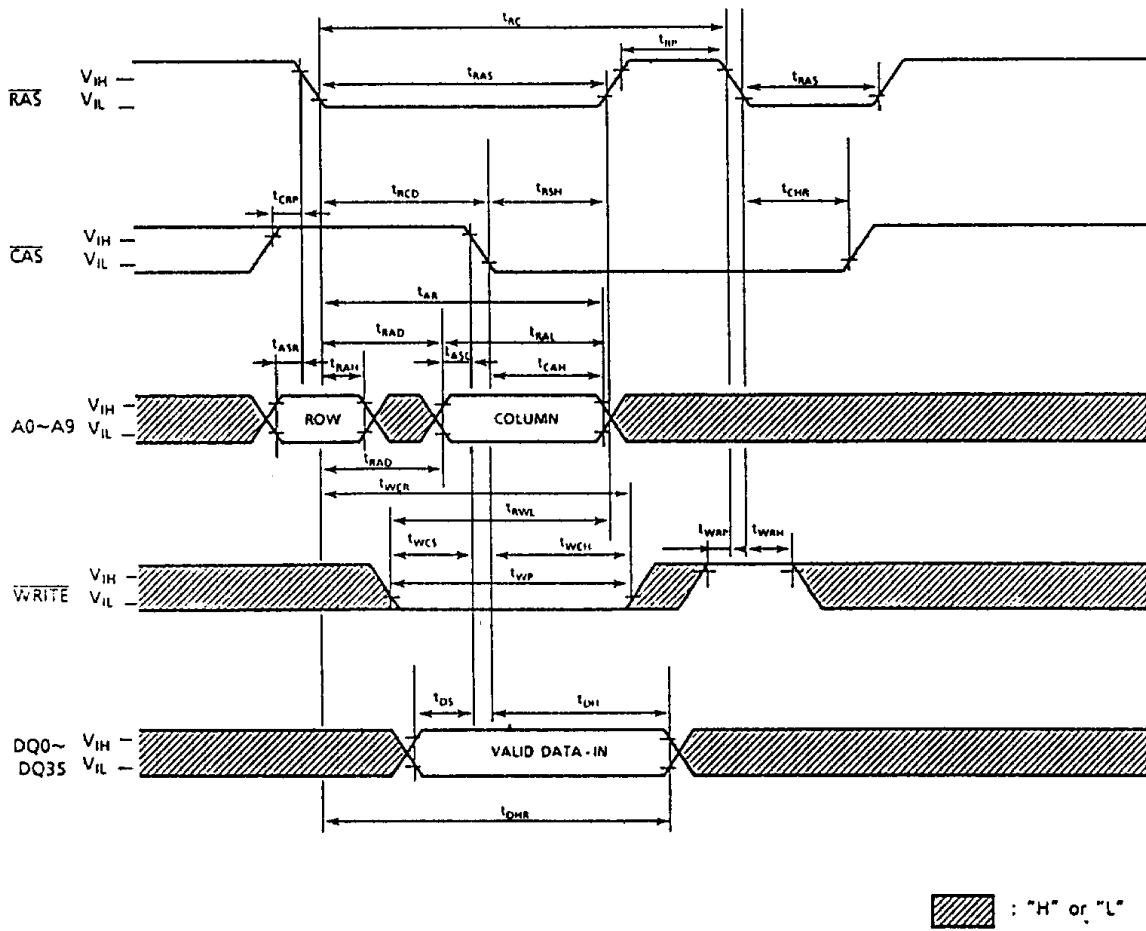
Note: A0~A9 = "H" or "L"

THM361020S-80, 10
THM361020SG-80, 10

HIDDEN REFRESH CYCLE (READ)

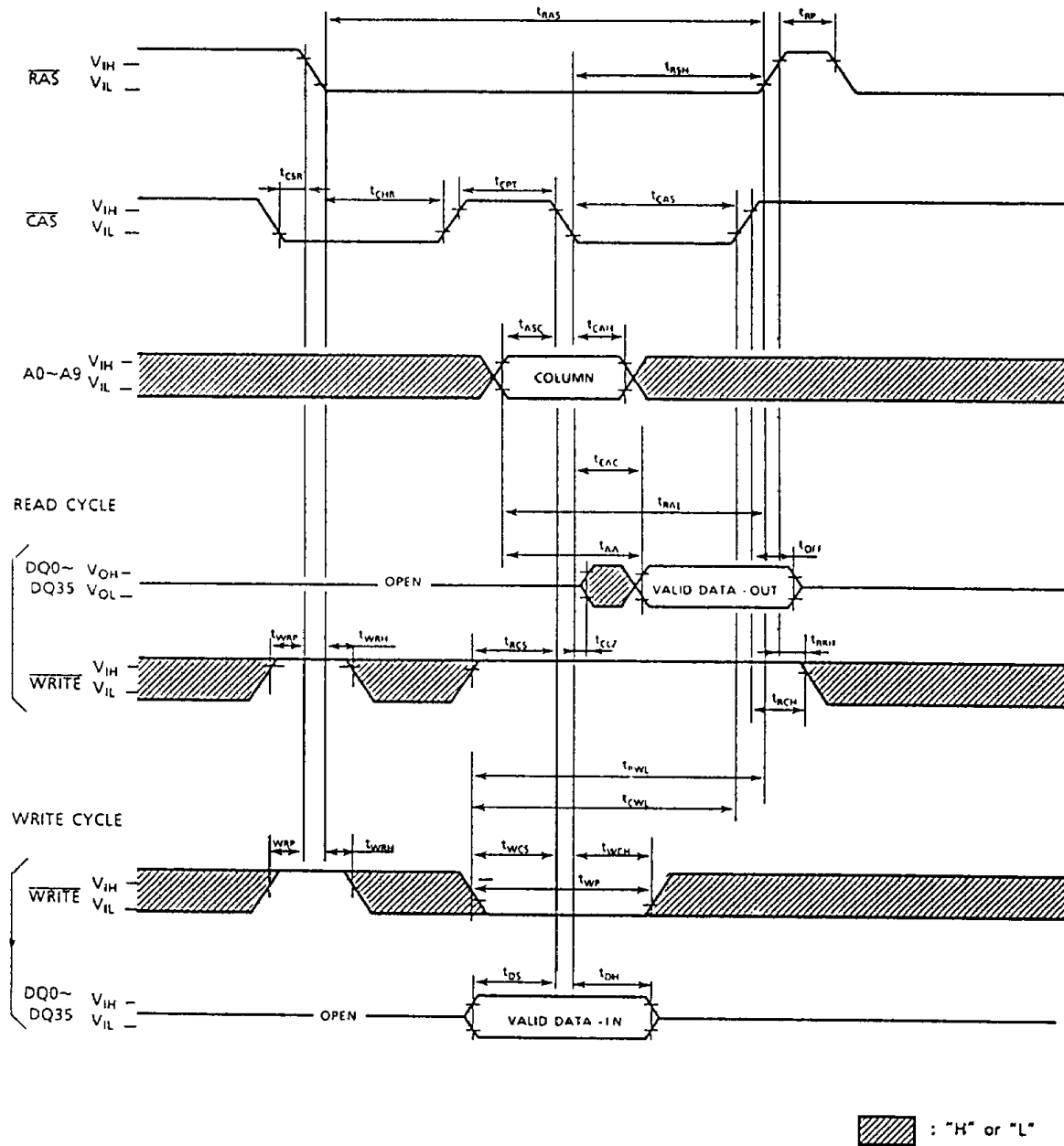


HIDDEN REFRESH CYCLE (WRITE)



THM361020S-80, 10
 THM361020SG-80, 10

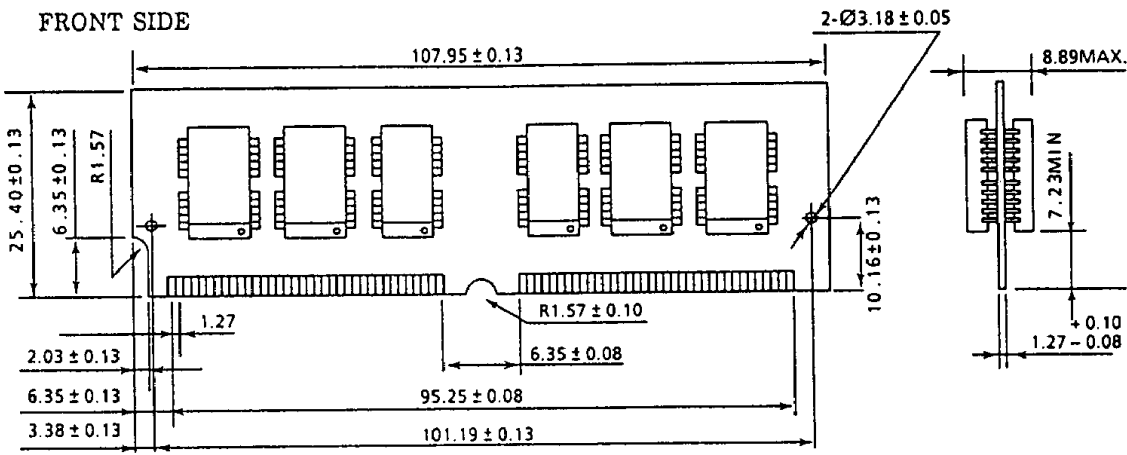
CAS BEFORE RAS REFRESH COUNTER TEST CYCLE



THM361020S-80, 10 THM361020SG-80, 10

OUTLINE DRAWINGS

Unit in mm



BACK SIDE

