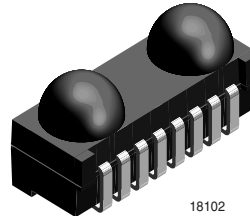


## Fast Infrared Transceiver Module (MIR, 1.152 Mbit/s) for 2.7 V to 5.5 V Operation

### Description

The TFDU5103 is a low-power infrared transceiver module compliant to the latest IrDA physical layer standard for fast infrared data communication, supporting IrDA speeds up to 1.152 Mbit/s (MIR), and carrier based remote control modes up to 2 MHz. The transceiver module consists of a PIN photodiode, an infrared emitter (IRED), and a low-power CMOS control IC to provide a total front-end solution in a single package.



Vishay MIR transceivers are available in different package options, including this BabyFace package (TFDU5103). This wide selection provides flexibility for a variety of applications and space constraints. The transceivers are capable of directly interfacing with a wide variety of I/O devices which perform the modulation/ demodulation function, including National Semiconductor's PC87338, PC87108 and PC87109, SMC's FDC37C669, FDC37N769 and CAM35C44, and Hitachi's SH3. At a minimum, a  $V_{CC}$  bypass capacitor is the only external component required implementing a complete solution. TFDU5103 has a tri-state output and is floating in shutdown mode with a weak pull-up.

### Features

- Supply voltage 2.7 V to 5.5 V, Operating idle current (receive mode) < 3 mA, Shutdown current < 5  $\mu$ A over full temperature range
- Surface Mount Package, top and side view, L 9.7 mm x W 4.7 mm x H 4.0 mm
- Operating Temperature - 25 °C to 85 °C
- Storage Temperature - 40 °C to 100 °C
- Transmitter Wavelength typ. 886 nm, supporting IrDA® and Remote Control

- IrDA® compliant, link distance (MIR) > 1 m,  $\pm 15^\circ$ , window losses are allowed to still be inside the IrDA® spec.
- Remote Control Range > 8 m, 22 m
- ESD > 4000 V (HBM), Latchup > 200 mA
- EMI immunity > 550 V/m for GSM frequency and other mobile telephone bands / (700 MHz to 2000 MHz, no external shield)
- Split power supply, LED can be driven by a separate power supply not loading the regulated supply. U.S. Pat. No. 6,157,476
- Tri-state-Receiver Output, floating in shut down with a weak pull-up
- Eye safety class 1 (IEC60825-1, ed. 2001), limited LED on-time, LED current is controlled, no single fault to be considered

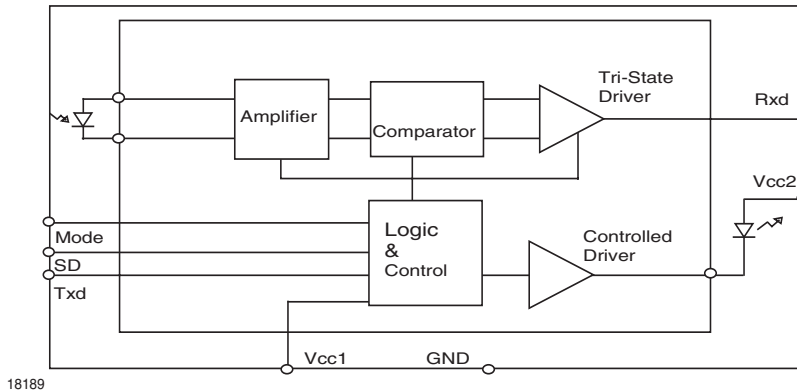
### Applications

- Notebook Computers, Desktop PCs, Palmtop Computers (Win CE, Palm PC), PDAs
- Digital Still and Video Cameras
- Printers, Fax Machines, Photocopiers, Screen Projectors
- Telecommunication Products

### Parts Table

Part	Description	Qty / Reel
TFDU5103-TR3	Oriented in carrier tape for side view surface mounting	1000 pcs
TFDU5103-TT3	Oriented in carrier tape for top view surface mounting	1000 pcs

## Block Diagram



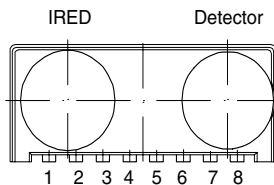
## Pin Description

Pin Number	Function	Description	I/O	Active
1	V <sub>CC2</sub> IRED Anode	Connect IRED anode directly to V <sub>CC2</sub> . For voltages higher than 3.6 V an external resistor might be necessary for reducing the internal power dissipation. An unregulated separate power supply can be used at this pin.		
2	IRED Cathode	IRED cathode, internally connected to driver transistor		
3	Txd	This input is used to transmit serial data when SD is low. An on-chip protection circuit disables the LED driver if the Txd pin is asserted for longer than 80 μs. When used in conjunction with the SD pin, this pin is also used to receiver speed mode.	I	HIGH
4	Rxd	Received Data Output, push-pull CMOS driver output capable of driving a standard CMOS or TTL load. No external pull-up or pull-down resistor is required. <b>Floating with a weak pull-up of 500 kΩ (typ.) in shutdown mode.</b>	O	LOW
5	SD	Shutdown, also used for dynamic mode switching. Setting this pin active places the module into shutdown mode. On the falling edge of this signal, the state of the Txd pin is sampled and used to set receiver low bandwidth (Txd = Low, SIR) or high bandwidth (Txd = High, MIR and FIR) mode. Will be overwritten by the mode pin input, which must float, when dynamic programming is used.	I	HIGH
6	V <sub>CC1</sub>	Supply Voltage		
7	Mode	HIGH: High speed mode, MIR and FIR; LOW: Low speed mode, SIR only (see chapter "Mode Switching").	I	
	Mode	Output function: The mode pin can also be used to indicate the dynamically programmed mode. The maximum load is limited to 50 pF. High indicates MIR-, low indicates SIR-mode	O	
8	GND	Ground		

## Pinout

TFDU5103  
weight 200 mg

### "U" Option BabyFace (Universal)



17087

### Definitions:

In the Vishay transceiver data sheets the following nomenclature is used for defining the IrDA operating modes:

SIR: 2.4 kbit/s to 115.2 kbit/s, equivalent to the basic serial infrared standard with the physical layer version IrPhy 1.0

MIR: 576 kbit/s to 1152 kbit/s

FIR: 4 Mbit/s

VFIR: 16 Mbit/s

MIR and FIR were implemented with IrPhy 1.1, followed by IrPhy 1.2, adding the SIR Low Power Standard. IrPhy 1.3 extended the Low Power Option to MIR and FIR and VFIR was added with IrPhy 1.4. A new version of the standard in any case obsoletes the former version.

## Absolute Maximum Ratings

Reference point Ground (Pin 8): unless otherwise noted.

Typical values are for DESIGN AID ONLY, not guaranteed nor subject to production testing.

Parameter	Test Conditions	Symbol	Min	Typ.	Max	Unit
Supply voltage range, transceiver	$0\text{ V} < V_{CC2} < 6\text{ V}$	$V_{CC1}$	- 0.5		+ 6	V
Supply voltage range, transmitter	$0\text{ V} < V_{CC1} < 6\text{ V}$	$V_{CC2}$	- 0.5		+ 6.5	V
Input currents	for all pins, except IRED anode pin				10	mA
Output sinking current					25	mA
Power dissipation	see derating curve, figure 5	$P_D$			500	mW
Junction temperature		$T_J$			125	°C
Ambient temperature range (operating)		$T_{amb}$	- 25		+ 85	°C
Storage temperature range		$T_{stg}$	- 25		+ 85	°C
Soldering temperature	see recommended solder profile (see figure 4)				240	°C
Average output current		$I_{IRED}\text{ (DC)}$			125	mA
Repetitive pulse output current	$< 90\text{ }\mu\text{s}$ , $t_{on} < 20\%$	$I_{IRED}\text{ (RP)}$			600	mA
IRED anode voltage		$V_{IRED A}$	- 0.5		+ 6.5	V
Voltage at all inputs and outputs	$V_{in} > V_{CC1}$ is allowed	$V_{IN}$			5.5	V
Load at mode pin when used as mode indicator					50	pF

### Eye safety information

Reference point Pin: GND unless otherwise noted.

Typical values are for DESIGN AID ONLY, not guaranteed nor subject to production testing.

Parameter	Test Conditions	Symbol	Min	Typ.	Max	Unit
Virtual source size	Method: (1 - 1/e) encircled energy	d	2.5	2.8		mm
Maximum Intensity for Class 1	IEC60825-1 or EN60825-1, edition Jan. 2001	$I_e$			<sup>*)</sup> (500 <sup>**</sup> )	mW/sr

<sup>\*)</sup>Due to the internal limitation measures the device is a "class1" device

<sup>\*\*</sup>)IrDA specifies the max. intensity with 500 mW/sr



## Electrical Characteristics

## Transceiver

$T_{amb} = 25\text{ }^{\circ}\text{C}$ ,  $V_{CC} = 2.7\text{ V}$  to  $5.5\text{ V}$  unless otherwise noted.

Typical values are for DESIGN AID ONLY, not guaranteed nor subject to production testing.

Parameter	Test Conditions	Symbol	Min	Typ.	Max	Unit
Supply voltage		$V_{CC}$	2.7		5.5	V
Dynamic supply current (Idle) <sup>1)</sup>	SD = Low, $E_e = 0\text{ klx}$	$I_{CC}$		2	3	mA
Dynamic supply current (Idle) <sup>1)</sup>	SD = Low, $E_e = 1\text{ klx}^2)$	$I_{CC}$		2	3	mA
Shutdown supply current	SD = High, Mode = Floating $E_e = 0\text{ klx}$	$I_{SD}$			2.0	$\mu\text{A}$
	SD = High, Mode = Floating $E_e = 1\text{ klx}^2)$	$I_{SD}$			2.5	$\mu\text{A}$
	SD = High, $T = 85\text{ }^{\circ}\text{C}$ , Mode = Floating, not ambient light sensitive	$I_{SD}$			5	$\mu\text{A}$
Operating temperature range		$T_A$	- 25		+ 85	$^{\circ}\text{C}$
Output voltage low	$I_{OL} = 1\text{ mA}$ , $C_{load} = 15\text{ pF}$	$V_{OL}$			0.4	V
Output voltage high	$I_{OH} = 500\text{ }\mu\text{A}$ , $C_{load} = 15\text{ pF}$	$V_{OH}$	$0.8 \times V_{CC}$			V
	$I_{OH} = 250\text{ }\mu\text{A}$ , $C_{load} = 15\text{ pF}$	$V_{OH}$	$0.9 \times V_{CC}$			V
Output Rxd current limitation high state	Short to Ground				20	mA
Output Rxd current limitation low state	Short to $V_{CC1}$				20	mA
Rxd to $V_{CC1}$ impedance	SD = High	$R_{RxD}$	400	500	600	k $\Omega$
Input voltage low (Txd, SD, Mode)		$V_{IL}$	0.5		0.5	V
Input voltage high (TxD, SD, Mode)	CMOS level <sup>3)</sup>	$V_{IH}$	$V_{CC} - 0.5$		$V_{CC} + 0.5$	V
	TTL level, $V_{CC1} = 4.5\text{ V}$	$V_{IH}$	2.4			V
Input leakage current (Txd, SD, Mode)		$I_L$	- 10		+ 10	$\mu\text{A}$
Input leakage current Mode		$I_{ICH}$	- 2		+ 2	$\mu\text{A}$
Input capacitance (TxD, SD, Mode)		$C_{IN}$			5	pF

<sup>1)</sup> Receive mode only.

In transmit mode, add additional 85 mA (typ) for IRED current. Add Rxd output current depending on Rxd load.

<sup>2)</sup> Standard Illuminant A

<sup>3)</sup> The typical threshold level is between  $0.5 \times V_{CC/2}$  ( $V_{CC} = 3\text{ V}$ ) and  $0.4 \times V_{CC}$  ( $V_{CC} = 5.5\text{ V}$ ). It is recommended to use the specified min/ max values to avoid increased operating current.

## Optoelectronic Characteristics

### Receiver

$T_{amb} = 25\text{ }^{\circ}\text{C}$ ,  $V_{CC} = 2.7\text{ V}$  to  $5.5\text{ V}$  unless otherwise noted.

Typical values are for DESIGN AID ONLY, not guaranteed nor subject to production testing.

Parameter	Test Conditions	Symbol	Min	Typ.	Max	Unit
Minimum detection threshold irradiance, SIR mode	9.6 kbit/s to 115.2 kbit/s $\lambda = 850\text{ nm}$ to $900\text{ nm}$	$E_e$		25 (2.5)	35 (3.5)	$\text{mW}/\text{m}^2$ ( $\mu\text{W}/\text{cm}^2$ )
Minimum detection threshold irradiance, MIR mode	1.152 Mbit/s $\lambda = 850\text{ nm}$ to $900\text{ nm}$	$E_e$		65 (6.5)		$\text{mW}/\text{m}^2$ ( $\mu\text{W}/\text{cm}^2$ )
Maximum detection threshold irradiance	$\lambda = 850\text{ nm}$ to $900\text{ nm}$	$E_e$		5 (500)		$\text{kW}/\text{m}^2$ ( $\text{mW}/\text{cm}^2$ )
No detection receiver input irradiance	*)	$E_e$	4 (0.4)			$\text{mW}/\text{m}^2$ ( $\mu\text{W}/\text{cm}^2$ )
Rise time of output signal	10 % to 90 %, 15 pF	$t_r$ (Rxd)	10		40	ns
Fall time of output signal	90 % to 10 %, 15 pF	$t_f$ (Rxd)	10		40	ns
Rxd pulse width of output signal, 50 % SIR mode	input pulse length $1.4\text{ }\mu\text{s} < P_{Wopt} < 25\text{ }\mu\text{s}$	$t_{PW}$	1.5	1.8	2.1	$\mu\text{s}$
Rxd pulse width of output signal, 50 % MIR mode	input pulse length $P_{Wopt} = 217\text{ ns}$ , 1.152 kbit/s	$t_{PW}$	110	250	270	ns
Stochastic jitter, leading edge	input irradiance = $100\text{ mW}/\text{m}^2$ , 1.152 Mbit/s				40	ns
	input irradiance = $100\text{ mW}/\text{m}^2$ , 576 kbit/s				80	ns
	input irradiance = $100\text{ mW}/\text{m}^2$ , $\leq 115.2\text{ kbit/s}$				350	ns
Receiver start up time	after completion of shutdown programming sequence Power on delay				500	$\mu\text{s}$
Latency		$t_L$		170	300	$\mu\text{s}$

Note: All timing data measured with 1.152 Mbit/s are measured using the IrDA<sup>®</sup> MIR transmission header.

\*) This parameter reflects the backlight test of the IrDA physical layer specification to guarantee immunity against light from fluorescent lamps

### Transmitter

$T_{amb} = 25\text{ }^{\circ}\text{C}$ ,  $V_{CC} = 2.7\text{ V}$  to  $5.5\text{ V}$  unless otherwise noted.

Typical values are for DESIGN AID ONLY, not guaranteed nor subject to production testing.

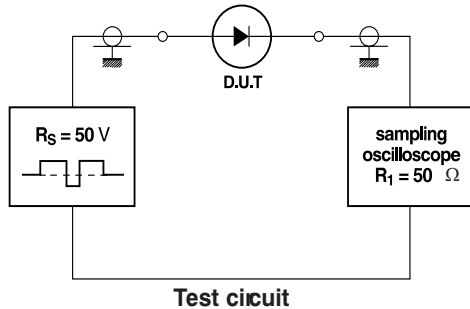
Parameter	Test Conditions	Symbol	Min	Typ.	Max	Unit
IRED operating current, switched current limiter	See derating curve. For 3.3 V operation no external resistor needed. For 5 V application that might be necessary depending on operating temperature range.	$I_D$	500	550	600	mA
Output leakage IRED current		$I_{IRED}$	- 1		1	$\mu\text{A}$
Output radiant intensity recommended appl. circuit	$\alpha = 0^{\circ}, 15^{\circ}$ Txd = High, SD = Low, $V_{CC1} = V_{CC} = 3.3\text{ V}$ Internally current-controlled, no external resistor	$I_e$	120	170	350	mW/sr
Output radiant intensity	$V_{CC1} = 5.0\text{ V}$ , $\alpha = 0^{\circ}, 15^{\circ}$ Txd = Low or SD = High, (Receiver is inactive as long as SD = High)	$I_e$			0.04	mW/sr
Output radiant intensity, angle of half intensity		$\alpha$		$\pm 24$		$^{\circ}$
Peak - emission wavelength		$\lambda_p$	880		900	nm
Spectral bandwidth		$\Delta\lambda$		40		nm
Optical rise time, fall time		$t_{ropt}, t_{fopt}$	10		40	ns
Optical output pulse duration	input pulse width 217 ns, 1.152 kbit/s	$t_{opt}$	207	217	227	ns
	input pulse width $0.1\text{ }\mu\text{s} < t_{Txd} < 80\text{ }\mu\text{s}$ *)	$t_{opt}$		$t_{Txd}$		$\mu\text{s}$
	input pulse width $t_{Txd} \geq 80\text{ }\mu\text{s}$ *)	$t_{opt}$	20		85	$\mu\text{s}$
Optical overshoot					25	%

\*) Typically the output pulse duration will follow the input pulse duration  $t$  and will be identical in length  $t$ .

However, at pulse durations larger than  $80\text{ }\mu\text{s}$  the optical output pulse durations is limited to  $85\text{ }\mu\text{s}$ . This pulse duration limitation can already start at  $20\text{ }\mu\text{s}$

### Recommended Circuit Diagram

Vishay Semiconductors transceivers integrate a sensitive receiver and a built-in power driver. The combination of both needs a careful circuit board layout. The use of thin, long, resistive and inductive wiring should be avoided. The inputs (Txd, SD, Mode) and the output Rxd should be directly (DC) coupled to the I/O circuit.



Input Signal	- total pulse duration	$tp(\text{tot}) =$
	- duty factor	$\delta = 0.01$

Figure 1. Recommended Application Circuit

The capacitor C1 is buffering the supply voltage and reduces the influence of the inductance of the power supply line. This one should be a Tantalum or other fast capacitor to guarantee the fast rise time of the IRED current. The resistor R1 is only necessary for

higher operating voltages and elevated temperatures, see derating curve in figure 7, to avoid too high internal power dissipation.

The capacitor C2 combined with the resistor R2 is the low pass filter for smoothing the supply voltage. R2, C1 and C2 are optional and dependent on the quality of the supply voltage  $V_{CCx}$  and injected noise. An unstable power supply with dropping voltage during transmission may reduce sensitivity (and transmission range) of the transceiver.

The placement of these parts is critical. It is strongly recommended to position C2 as near as possible to the transceiver power supply pins. An Tantalum capacitor should be used for C1 while a ceramic capacitor is used for C2.

In addition, when connecting the described circuit to the power supply, low impedance wiring should be used.

When extended wiring is used the inductance of the power supply can cause dynamically a voltage drop at  $V_{CC2}$ . Often some power supplies are not apply to follow the fast current is rise time. In that case another  $4.7\ \mu\text{F}$  (type, see table under C1) at  $V_{CC2}$  will be helpful.

Keep in mind that basic RF-design rules for circuit design should be taken into account. Especially longer signal lines should not be used without termination. See e.g. "The Art of Electronics" by Paul Horowitz and Winfield Hill, 1989, Cambridge University Press, ISBN: 0521370957.

### Recommended Application Circuit Components

Component	Recommended Value	Vishay Part Number
C1	4.7 $\mu\text{F}$ , 16 V	293D 475X9 016B
C2	0.1 $\mu\text{F}$ , Ceramic	VJ 1206 Y 104 J XXMT
R1	<b>5 V supply voltage:</b> 2 $\Omega$ , 0.25 W ( recommended using two 1 $\Omega$ , 0.125 W resistor in series) <b>3.3 V supply voltage:</b> no resistor necessary, the internal controller is able to control the current	e.g. 2 x CRCW-1206-1R0-F-RT1
R2	47 $\Omega$ , 0.125 W	CRCW-1206-47R0-F-RT1



## I/O and Software

In the description, already different I/Os are mentioned. Different combinations are tested and the function verified with the special drivers available from the I/O suppliers. In special cases refer to the I/O manual, the Vishay application notes, or contact directly Vishay Sales, Marketing or Application.

## Mode Switching

The TFDU5103 is in the SIR mode after power on as a default mode, therefore the FIR data transfer rate has to be set by a programming sequence using the Txd and SD inputs as described below or selected by setting the Mode Pin. The Mode Pin can be used to statically set the mode (Mode Pin: LOW: SIR, HIGH: 0.576 Mbit/s to 1.152 Mbit/s). If not used or in standby mode, the mode input should float or should not be loaded with more than 50 pF. The low frequency mode covers speeds up to 115.2 kbit/s. Signals with higher data rates should be detected in the high frequency mode. Lower frequency data can also be received in the high frequency mode but with reduced sensitivity. To switch the transceivers from low frequency mode to the high frequency mode and vice versa, the programming sequences described below are required.

### Setting to the High Bandwidth Mode (0.576 Mbit/s to 1.152 Mbit/s)

1. Set SD input to logic "HIGH".
2. Set Txd input to logic "HIGH". Wait  $t_s \geq 200$  ns.
3. Set SD to logic "LOW" (this negative edge latches state of Txd, which determines speed setting).
4. After waiting  $t_h \geq 200$  ns Txd can be set to logic "LOW". The hold time of Txd is limited by the maximum allowed pulse length.

**Table 2.**  
**Truth table**

Inputs			Outputs	
SD	Txd	Optical input Irradiance mW/m <sup>2</sup>	Rxd	Transmitter
high	x	x	weakly pulled (500 kΩ) to V <sub>CC1</sub>	0
low	high	x	low (active)	I <sub>e</sub>
	high > 80 μs	x	high	0
	low	< 4	high	0
	low	> Min. Detection Threshold Irradiance < Max. Detection Threshold Irradiance	low (active)	0
	low	> Max. Detection Threshold Irradiance	x	0

After that Txd is enabled as normal Txd input and the transceiver is set for the high bandwidth (576 kbit/s to 1.152 kbit/s) mode.

### Setting to the Lower Bandwidth Mode (2.4 kbit/s to 115.2 kbit/s)

1. Set SD input to logic "HIGH".
2. Set Txd input to logic "LOW". Wait  $t_s \geq 200$  ns.
3. Set SD to logic "LOW" (this negative edge latches state of Txd, which determines speed setting).
4. Txd must be held for  $t_h \geq 200$  ns.

After that Txd is enabled as normal Txd input and the transceiver is set for the lower bandwidth (9.6 kbit/s to 115.2 kbit/s) mode.

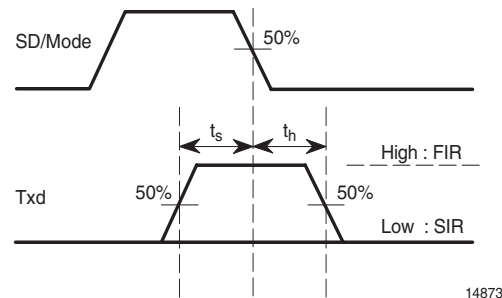


Figure 2. Mode Switching Timing Diagram

### Recommended Solder Profile

Solder Profile for Sn/Pb soldering

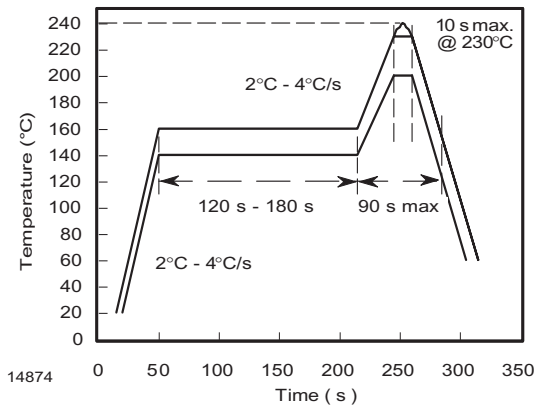


Figure 3. Recommended Solder Profile

### Lead-Free, Recommended Solder Profile

The TFDU5103 is a lead-free transceiver and qualified for lead-free processing. For lead-free solder paste like  $\text{Sn}_{(3.0 - 4.0)}\text{Ag}_{(0.5 - 0.9)}\text{Cu}$ , there are two standard reflow profiles: Ramp-Soak-Spike (RSS) and Ramp-To-Spike (RTS). The Ramp-Soak-Spike profile was developed primarily for reflow ovens heated by infrared radiation. Shown below in figure 4 is Vishay's recommended profile for use with the TFDU5103 transceivers. For more details please refer to Application note: [SMD Assembly Instruction](#).

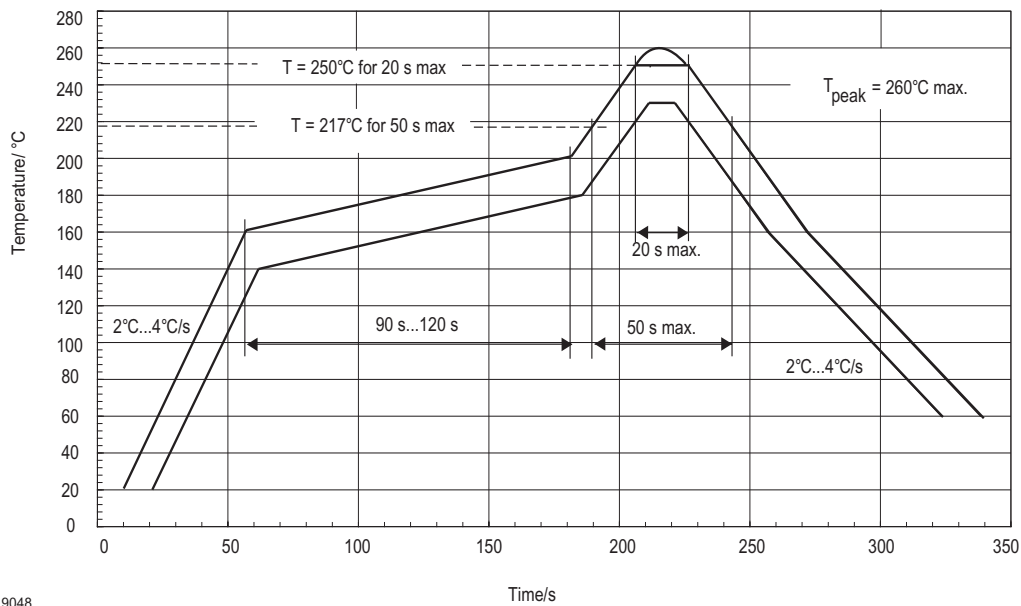


Figure 4. Solder Profile, RSS Recommendation

## Current Derating Diagram

Figure 5 shows the maximum operating temperature when the device is operated without external current limiting resistor. A power dissipating resistor of 2  $\Omega$  is recommended from the cathode of the IRED to Ground for supply voltages above 4 V. In that case the device can be operated up to 85  $^{\circ}\text{C}$ , too.

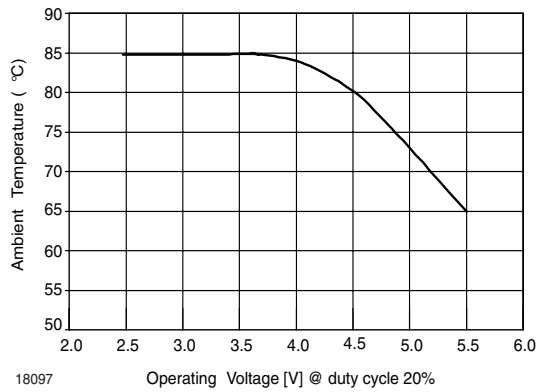
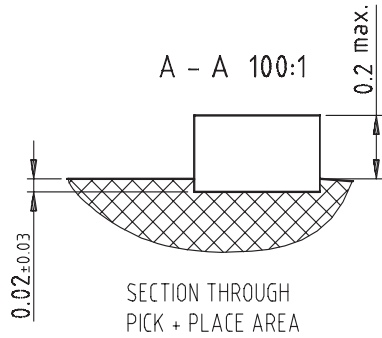
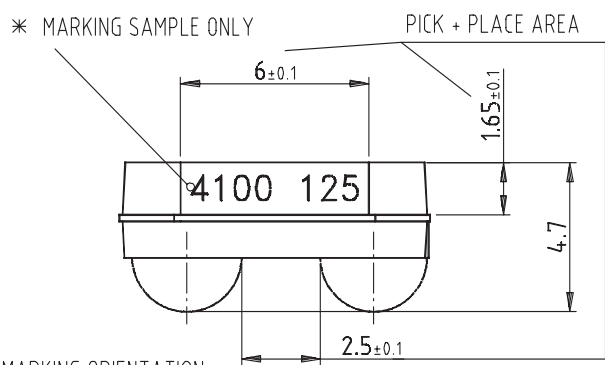
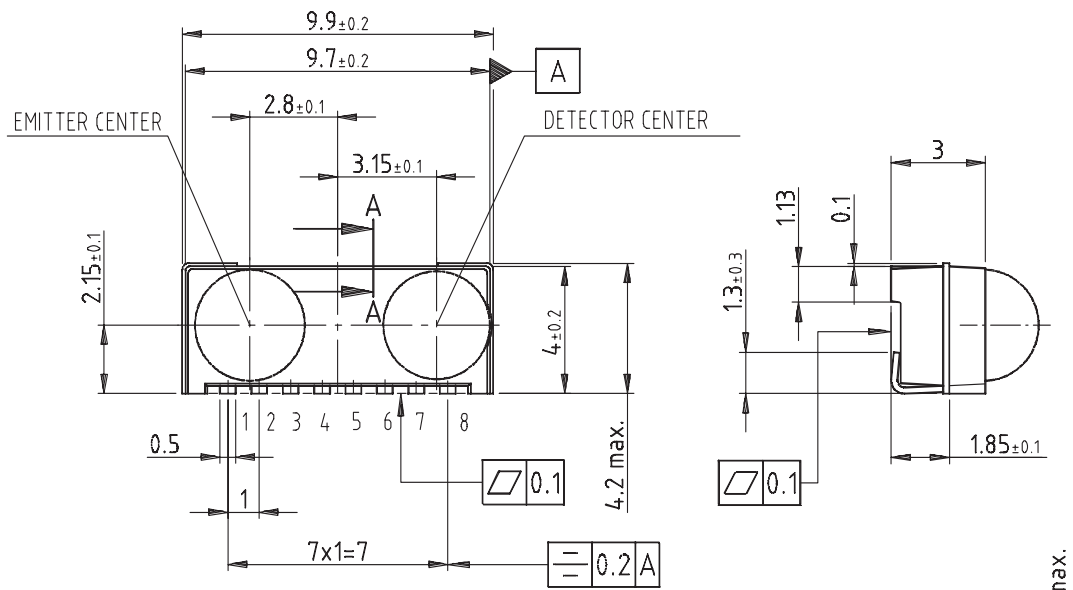


Figure 5. Temperature Derating Diagram

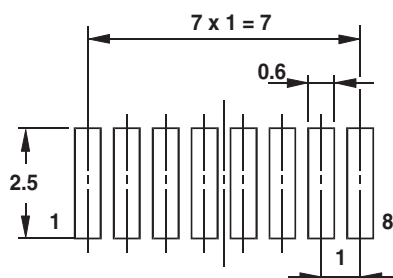
## Package Dimensions in mm



\* MARKING ORIENTATION  
180 DEGREES ALLOWED

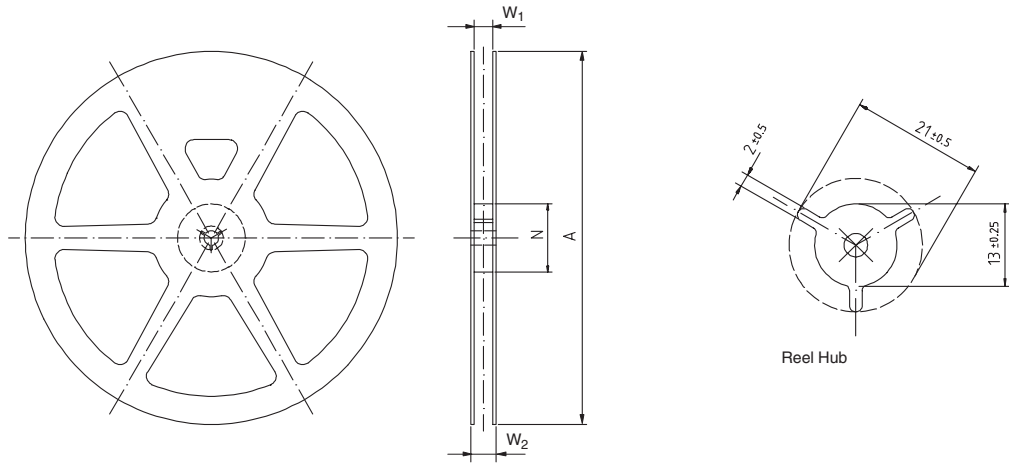
Drawing-No.: 6.550-5148.01-4  
Issue: 11; 29.01.01

Technical drawings  
according to DIN  
specifications



18470

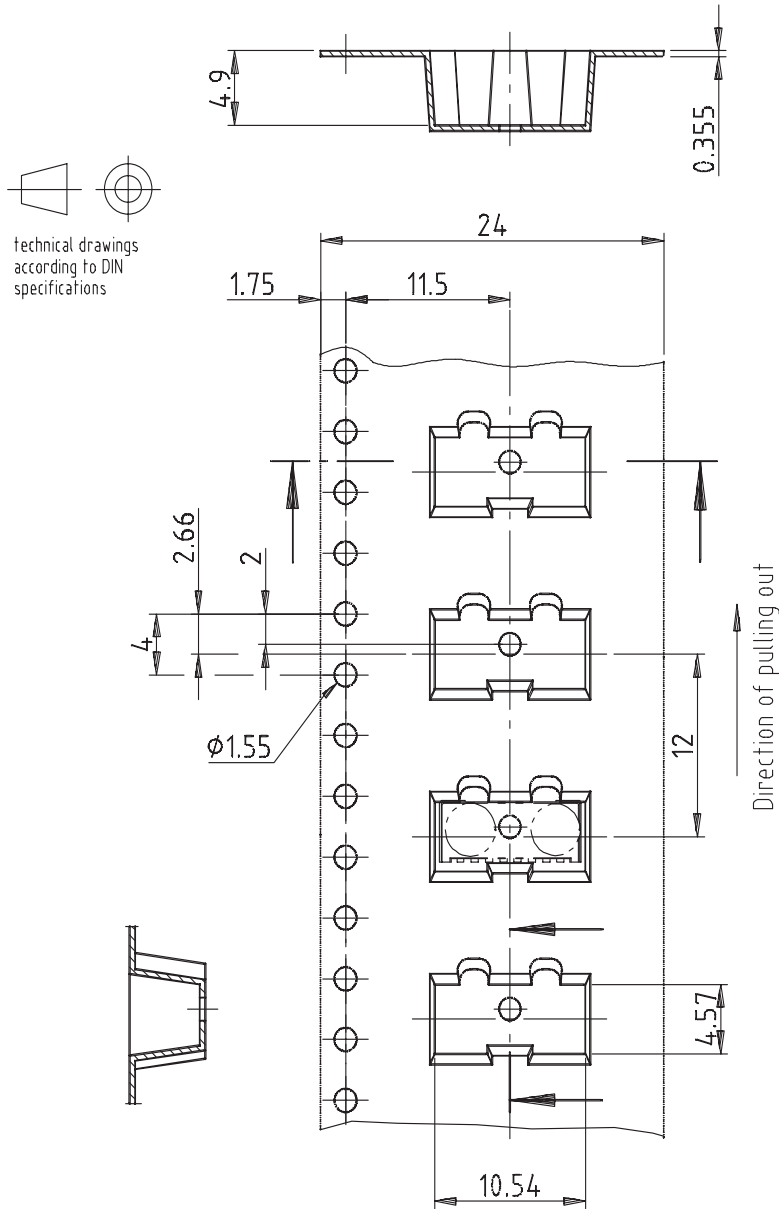
## Reel Dimensions



14017

Tape Width	A max.	N	$W_1$ min.	$W_2$ max.	$W_3$ min.	$W_3$ max.
mm	mm	mm	mm	mm	mm	mm
24	330	60	24.4	30.4	23.9	27.4

### Tape Dimensions in mm



Drawing-No.: 9.700-5251.01-4

Issue: 2; 07.05.01

18269



### Ozone Depleting Substances Policy Statement

It is the policy of **Vishay Semiconductor GmbH** to

1. Meet all present and future national and international statutory requirements.
2. Regularly and continuously improve the performance of our products, processes, distribution and operating systems with respect to their impact on the health and safety of our employees and the public, as well as their impact on the environment.

It is particular concern to control or eliminate releases of those substances into the atmosphere which are known as ozone depleting substances (ODSs).

The Montreal Protocol (1987) and its London Amendments (1990) intend to severely restrict the use of ODSs and forbid their use within the next ten years. Various national and international initiatives are pressing for an earlier ban on these substances.

**Vishay Semiconductor GmbH** has been able to use its policy of continuous improvements to eliminate the use of ODSs listed in the following documents.

1. Annex A, B and list of transitional substances of the Montreal Protocol and the London Amendments respectively
2. Class I and II ozone depleting substances in the Clean Air Act Amendments of 1990 by the Environmental Protection Agency (EPA) in the USA
3. Council Decision 88/540/EEC and 91/690/EEC Annex A, B and C (transitional substances) respectively.

**Vishay Semiconductor GmbH** can certify that our semiconductors are not manufactured with ozone depleting substances and do not contain such substances.

**We reserve the right to make changes to improve technical design  
and may do so without further notice.**

Parameters can vary in different applications. All operating parameters must be validated for each customer application by the customer. Should the buyer use Vishay Semiconductors products for any unintended or unauthorized application, the buyer shall indemnify Vishay Semiconductors against all claims, costs, damages, and expenses, arising out of, directly or indirectly, any claim of personal damage, injury or death associated with such unintended or unauthorized use.

Vishay Semiconductor GmbH, P.O.B. 3535, D-74025 Heilbronn, Germany  
Telephone: 49 (0)7131 67 2831, Fax number: 49 (0)7131 67 2423