

FEATURES

- Rise/Fall Time..... **5.0ns**
- Swing **65VP-P**
- Supply Voltage..... **90V**

APPLICATIONS

- CRT driver for up to 69kHz monitors with resolution up to 1280 x 1024.
- Excellent Gray Scale Linearity
- Emitter Peaking Option
- Adjustable Gain

DESCRIPTION

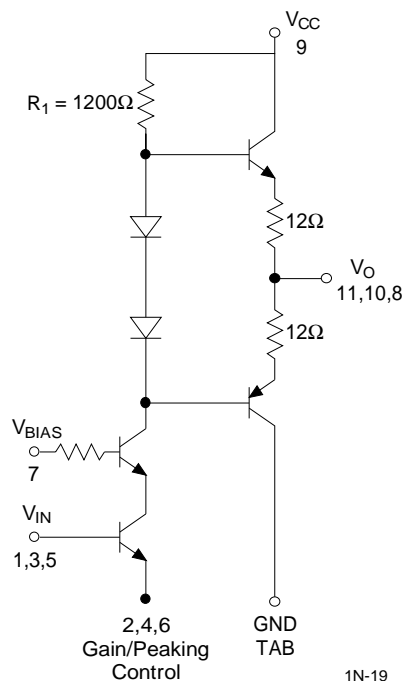
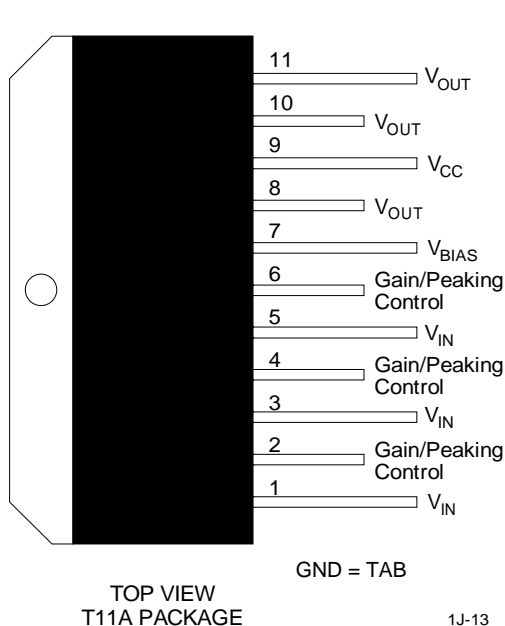
The CVA2400T contains three wideband amplifiers, designed specifically to drive a CRT. It features no crossover distortion for excellent gray scale linearity, external emitter peaking to maximize the high frequency gain at cross hatch pattern and adjustable gain for ease of use. This device can drive monitors with resolutions of 1280 x 1024 (non-interlaced) with pixel frequency of 176MHz.

The part is housed in the industry standard 11-lead TO-220 molded power package. The heat sink is grounded.

ORDERING INFORMATION

Part	Package	Temperature
CVA2400T	T11A	-20°C to +100°C

CONNECTION DIAGRAM



ABSOLUTE MAXIMUM RATINGS

Supply Voltage	90V	Operating Temperature	-20°C to +100°C
Power Dissipation	12W	Lead Temperature	+300°C
Storage Temperature	-25°C to +100°C		

DC ELECTRICAL CHARACTERISTICS $V_s = 80V$, $C_L = 8pF$, $DC_{INPUT\ BIAS} = 12V$, $V_{IN} = 1.8V$, $V_{OUT} = 50V_{p-p}$. $T_{CASE} = +25^\circ C$. See Figure 1.

SYMBOL	CHARACTERISTICS	MIN	TYP	MAX	UNITS
I_{CC}	Supply Current		28		mA
$V_{OUT\ DC}$	Output DC Level		52		V
A_v	Voltage Gain		15		V/V
	Gain Matching		0.2		dB

AC ELECTRICAL CHARACTERISTICS $V_s = 80V$, $C_L = 8pF$, $DC_{INPUT\ BIAS} = 12V$, $V_{IN} = 3.4V$, $V_{OUT} = 50V_{p-p}$. $T_{CASE} = +25^\circ C$. See Figure 1.

SYMBOL	CHARACTERISTICS	MIN	TYP	MAX	UNITS
T_r	Rise Time		5		ns
T_f	Fall Time		5		ns
L_e	Linearity		6		%
OS	Overshoot		5		%

FIGURE 1. TEST CIRCUIT

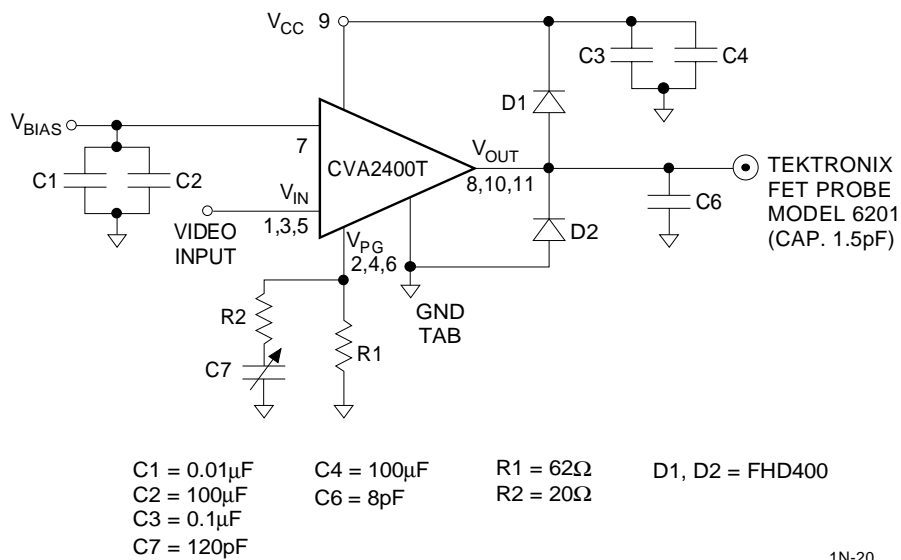


FIGURE 2. APPLICATION CIRCUIT

