



4-BIT FLASH MICROCONTROLLER

Table of Contents--

GENERAL DESCRIPTION	2
FEATURES.....	2
PIN CONFIGURATION.....	4
PIN DESCRIPTION	5
BLOCK DIAGRAM.....	6
FUNCTIONAL DESCRIPTION	7
ABSOLUTE MAXIMUM RATINGS	37
DC CHARACTERISTICS.....	37
AC CHARACTERISTICS.....	39
PAD ASSIGNMENT AND POSITIONS.....	39
TYPICAL APPLICATION CIRCUIT.....	41
INSTRUCTION SET TABLE	42
PACKAGE DIMENSIONS.....	93



GENERAL DESCRIPTION

The W741E260 is a high-performance 4-bit microcontroller (μ C) that provides an LCD driver and the flash EEPROM for the program memory. The device contains a 4-bit ALU, two 8-bit timers, two dividers (for two oscillators) in dual-clock operation, a 32×4 LCD driver, and five 4-bit I/O ports (including 1 output port for LED driving). There are also five interrupt sources and 8-level subroutine nesting for interrupt applications. The W741E260 operates on very low current and has three power reduction modes, hold mode and stop mode in single-clock operation and the dual-clock slow operation, which help to minimize power dissipation.

This chip is available for W741C250 and W741C260 bodies, which can be selected by option code. The W741E260 is suitable for end product manufacturer engineering testing and earlier samples before mass production.

FEATURES

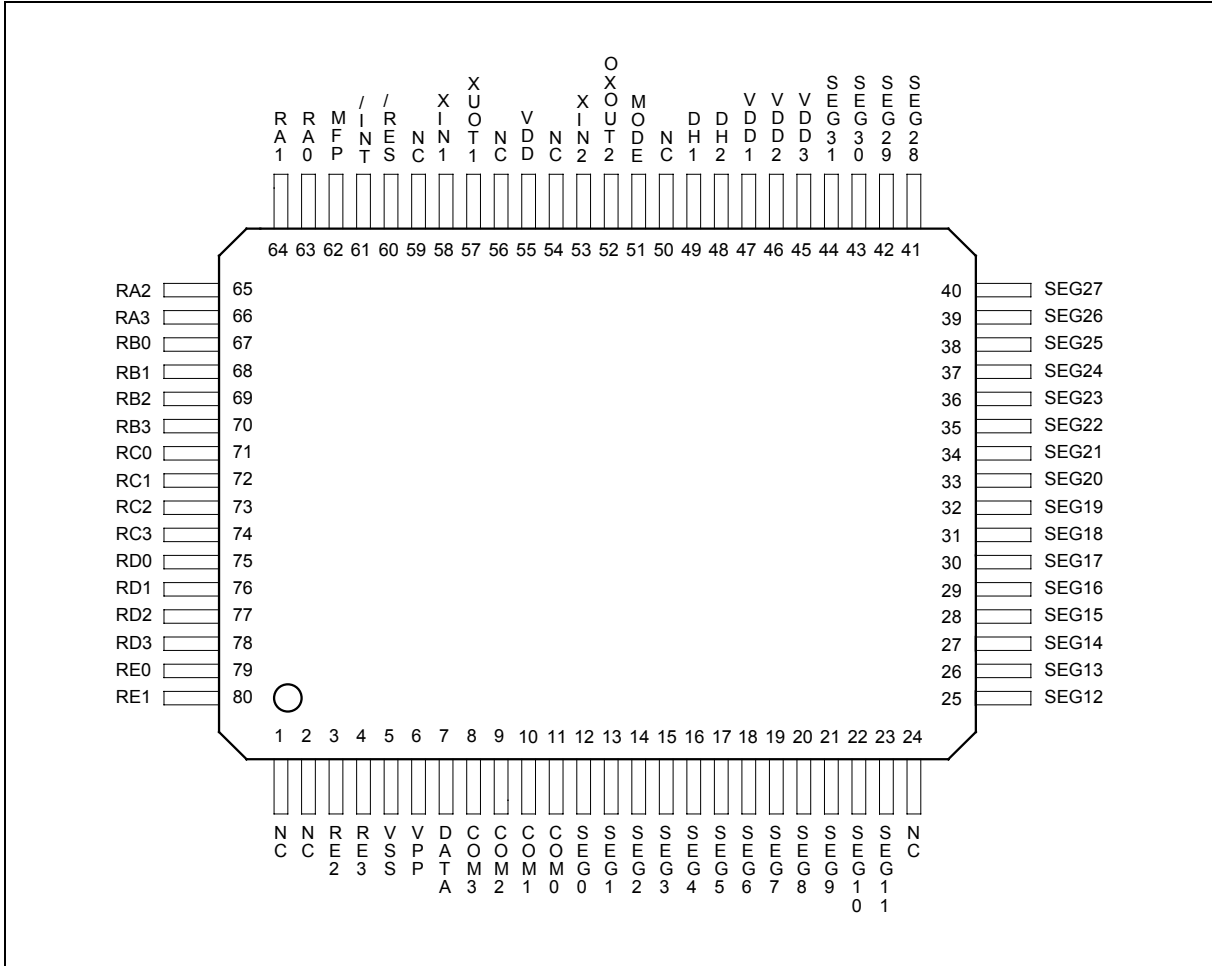
- Operating voltage: 2.4V to 5.5V (LCD drive voltage: 3.0V, or 4.5V)
- Crystal/Ceramic oscillator: up to 4 MHz
- RC oscillator: up to 4 MHz
- Dual-clock operation is selected by code option
- Main oscillator
 - Crystal or RC oscillation circuit can be selected by code option
 - In crystal mode, high-frequency (400 KHz to 4 MHz) or low-frequency (32.768 KHz) oscillation should be selected by code option
 - In RC mode, attention must be paid to the high/low frequency oscillation option, because the LCD driver frequency and the ROM code emulation time are related to this option.
- Sub-oscillator
 - Connect to 32768 Hz crystal only
 - Used in dual-clock operation
- Memory
 - 2048 x 16-bit program flash EEPROM (including 2K x 4-bit look-up table)
 - 128 x 4-bit data RAM (including 16 working registers)
 - 32 x 4 LCD data RAM
- 21 input/output pins
 - Ports for input only: 2 ports/8 pins
 - Input/output ports: 2 ports/8 pins
 - High sink current for LED driving: 1 port/4 pins
 - MFP output pin: 1 pin (MFP)
- Power-down mode
 - Hold function: no operation (excluding main oscillator and sub-oscillator)
 - Stop function: no operation (excluding sub-oscillator)



- Dual-clock slow operation mode: system is operated by the sub-oscillator (FOSC = Fs and Fm is stopped)
- Five types of interrupts
 - Four internal interrupts (Divider0, Divider1, Timer0, Timer1) for W741C260 body; three internal interrupts (Divider0, Timer0, Timer1) for W741C250 body.
 - One external interrupt (RC Port) for W741C260 body; two external interrupts (RC port and $\overline{\text{INT}}$ pin) for W741C250 body.
- LCD driver output
 - 32 segment x 4 common
 - Static, 1/2 duty (1/2 bias), 1/3 duty (1/2 or 1/3 bias), 1/4 duty (1/3 bias) driving mode can be selected
 - LCD driver output pins can be used as DC output port by code option
 - Clock source can be main oscillator clock in the single-clock operation mode, or sub-oscillator clock in the dual-clock operation mode; operation mode is selected by code option
- MFP output pin
 - Output is software selectable as modulating or nonmodulating frequency
 - Works as frequency output specified by Timer 1
- Two built-in 14-bit frequency dividers
 - Divider0: the clock source is the output of the main oscillator
 - Divider1: the clock source is the output of the sub-oscillator
- Two built-in 8-bit programmable countdown timers
 - Timer 0: one of two internal clock frequencies (FOSC/4 or FOSC/1024) can be selected
 - Timer 1: includes an auto-reload function and one of two internal clock frequencies (FOSC or FOSC/64) can be selected, or falling edge of pin RC.0 can be selected (output through MFP pin)
- Built-in 18/14-bit watchdog timer selectable for system reset
 - Enable/Disable the watchdog timer can be controlled by command or by option code; the control source (command or option code) can be determined by another option code
- Powerful instruction set: 118 instructions for W741C260 body
116 instructions for W741C250 body
- 8-level subroutine (include interrupt) nesting
- Up to 1 μS instruction cycle (with 4 MHz operating frequency)
- Packaged in 80-pin QFP



PIN CONFIGURATION





PIN DESCRIPTION

SYMBOL	I/O	FUNCTION																									
XIN1	I	Input pin for main-oscillator. Connected to crystal or resistor to generate system clock by code option.																									
XOUT1	O	Output pin for main-oscillator. Connected to crystal or resistor to generate system clock by code option.																									
XIN2	I	Input pin for sub-oscillator. Connected to 32.768 KHz crystal.																									
XOUT2	O	Output pin for sub-oscillator with internal oscillation capacitor. Connected to 32.768 KHz crystal.																									
RA0 to RA3	I/O	Input/Output port. Input/output mode specified by port mode 1 register (PM1).																									
RB0 to RB3	I/O	Input/Output port. Input/output mode specified by port mode 2 register (PM2).																									
RC0 to RC3	I	4-bit port for input only. Each pin has an independent interrupt capability.																									
RD0 to RD3	I	4-bit port for input only.																									
RE0 to RE3	O	Output port only. This port provides high sink current to drive LEDs.																									
MFP	O	Output pin only. This pin can output modulating or nonmodulating frequency, or Timer 1 clock output specified by mode register 1 (MR1).																									
$\overline{\text{RES}}$	I	System reset pin with pull-high resistor.																									
$\overline{\text{INT}}$	I	External interrupt pin with pull-high resistor. This pin is bonding option for the W741C250 body.																									
SEG0 to SEG31	O	LCD segment output pins. Also can be used as DC output ports specified by option codes.																									
COM0 to COM3	O	LCD common signal output pins. <table border="1" style="margin-left: 20px;"> <thead> <tr> <th></th> <th>Static</th> <th>1/2 Duty</th> <th>1/3 Duty</th> <th>1/4 Duty</th> </tr> </thead> <tbody> <tr> <td>COM0</td> <td>Used</td> <td>Used</td> <td>Used</td> <td>Used</td> </tr> <tr> <td>COM1</td> <td>Not Used</td> <td>Used</td> <td>Used</td> <td>Used</td> </tr> <tr> <td>COM2</td> <td>Not Used</td> <td>Not Used</td> <td>Used</td> <td>Used</td> </tr> <tr> <td>COM3</td> <td>Not Used</td> <td>Not Used</td> <td>Not Used</td> <td>Used</td> </tr> </tbody> </table> <p>The LCD alternating frequency can be selected by code option.</p>		Static	1/2 Duty	1/3 Duty	1/4 Duty	COM0	Used	Used	Used	Used	COM1	Not Used	Used	Used	Used	COM2	Not Used	Not Used	Used	Used	COM3	Not Used	Not Used	Not Used	Used
	Static	1/2 Duty	1/3 Duty	1/4 Duty																							
COM0	Used	Used	Used	Used																							
COM1	Not Used	Used	Used	Used																							
COM2	Not Used	Not Used	Used	Used																							
COM3	Not Used	Not Used	Not Used	Used																							
DH1, DH2	I	Connection terminals for voltage doubler (halver) capacitor.																									
VDD1, VDD2, VDD3	I	Positive (+) supply voltage terminal. Refer to Functional Description.																									



FUNCTIONAL DESCRIPTION

Program Counter (PC)

Organized as an 11-bit binary counter (PC0 to PC10), the program counter generates the addresses of the 2048×16 on-chip flash EEPROM containing the program instruction. When the jump or subroutine call instructions or the interrupt or initial reset conditions are to be executed, the address corresponding to the instruction will be loaded into the program counter. The format used is shown below.

ITEM	ADDRESS	INTERRUPT PRIORITY
Initial Reset	000H	-
INT 0 (Divider0)	004H	1st
INT 1 (Timer 0)	008H	2nd
INT 2 (Port RC)	00CH	3rd
INT 3 (Divider1 for W741C260; INT pin for W741C250)	014H	4th
INT 4 (Timer 1)	020H	5th
JMP Instruction	XXXH	-
Subroutine Call	XXXH	-

Stack Register (STACK)

The stack register is organized as 11-bit x 8 levels (first-in, last-out). When either a call subroutine or an interrupt is executed, the program counter will be pushed onto the stack register automatically. At the end of a call subroutine or an interrupt service subroutine, the RTN instruction must be executed to pop the contents of the stack register into the program counter. When the stack register is pushed over the eighth level, the contents of the first level will be lost. In other words, the stack register is always eight levels deep.

Program Memory (flash EEPROM)

The flash EEPROM is used to store program codes; the look-up table is arranged as 2048×4 bits. The first three quarters of flash EEPROM (000H to 5FFH) are used to store instruction codes only, but the last quarter (600H to 7FFH) can store both instruction codes and the look-up table. Each look-up table element is composed of 4 bits, so the look-up table can be addressed up to 2048 elements. There are two registers (TABL and TABH) to be used in look-up table addressing and they are controlled by MOV TABH, R and MOV TABL, R instructions. When the instruction MOVC R is executed, the contents of the look-up table location address specified by TABH, TABL and ACC will be read and transferred to the data RAM. Refer to the instruction table for more details. The organization of the program memory is shown in Figure 1.

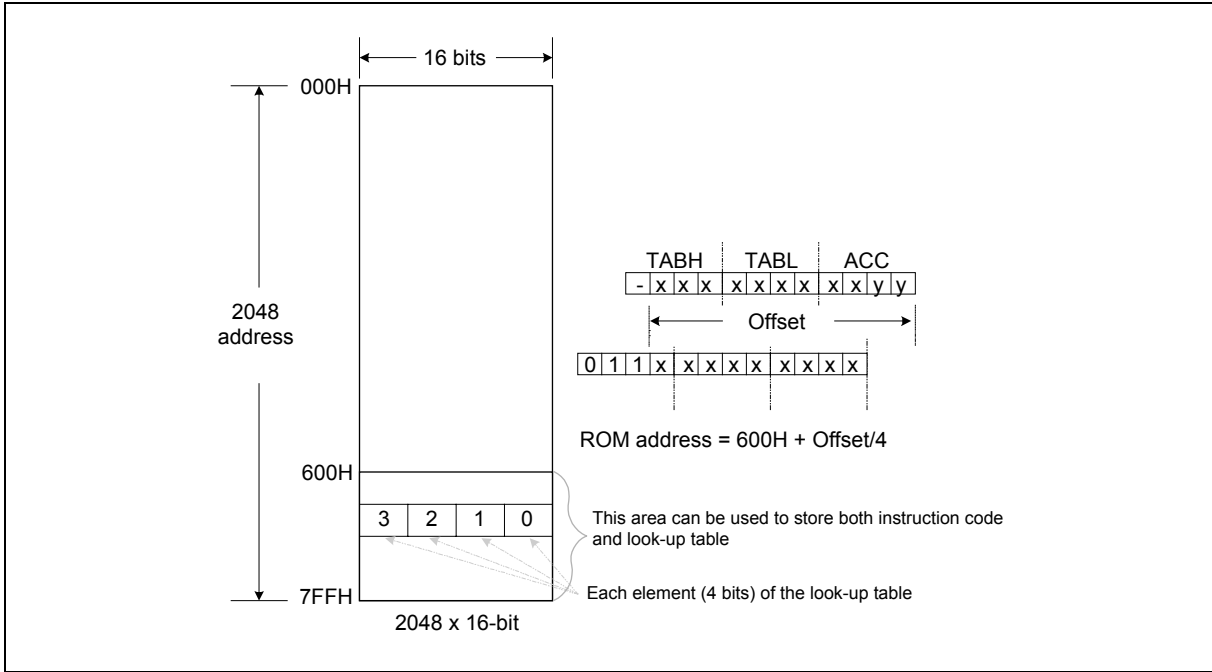


Figure 1. Program Memory Organization

Data Memory (RAM)

1. Architecture

The static data memory (RAM) used to store data is arranged as 128 × 4 bits. The data memory can be addressed directly or indirectly. The organization of the data memory is shown in Figure 2.

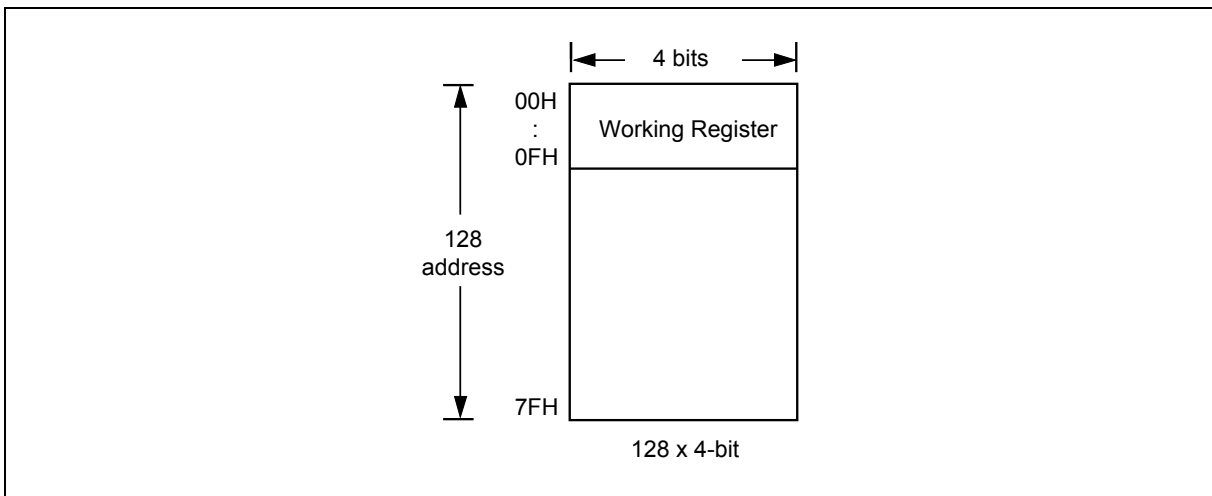


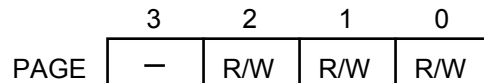
Figure 2. Data Memory Organization



The first sixteen addresses (00H to 0FH) in the data memory are known as the working registers (WR). The other data memory is used as general memory and cannot operate directly with immediate data. The relationship between data memory locations and the page register (PAGE) in indirect addressing mode is described in the next section.

2. Page Register (PAGE)

The page register is organized as a 4-bit binary register. The bit descriptions are as follows:



Note: R/W means read/write available.

Bit 3 is reserved.

Bit 2, Bit 1, Bit 0 Indirect addressing mode preselect bits:

- 000 = Page 0 (00H - 0FH)
- 001 = Page 1 (10H - 1FH)
- 010 = Page 2 (20H - 2FH)
- 011 = Page 3 (30H - 3FH)
- 100 = Page 4 (40H - 4FH)
- 101 = Page 5 (50H - 5FH)
- 110 = Page 6 (60H - 6FH)
- 111 = Page 7 (70H - 7FH)

Accumulator (ACC)

The accumulator (ACC) is a 4-bit register used to hold results from the ALU and transfer data between the memory, I/O ports, and registers.

Arithmetic and Logic Unit (ALU)

This is a circuit which performs arithmetic and logic operations. The ALU provides the following functions:

- Logic operations: ANL, XRL, ORL
- Branch decisions: JB0, JB1, JB2, JB3, JNZ, JZ, JC, JNC, DSKZ, DSKNZ, SKB0, SKB1, SKB2, SKB3
- Shift operations: SHRC, RRC, SHLC, RLC
- Binary additions/subtractions: ADC, SBC, ADD, SUB, ADU, DEC, INC

After any of the above instructions are executed, the status of the carry flag (CF) and zero flag (ZF) is stored in the internal registers. Otherwise CF can be stored or be read out by executing MOVA R, CF or MOV CF, R.

Clock Generator

The W741E260 provides two oscillation circuits, main-oscillator and sub-oscillator. The main-oscillator can select the crystal or RC oscillation circuit by option codes to generate the system clock through external connections. If a crystal oscillator is used, a crystal or a ceramic resonator must be connected to XIN1 and XOUT1, and a capacitor must be connected if an accurate frequency is needed. When the oscillator is used, a high-frequency clock (400 KHz to 4 MHz) or low-frequency clock (32 KHz) can be selected for the system clock by means of option codes. If the RC oscillator is used, a resistor must be connected to XIN1 and XOUT1, and the high/low frequency clock option must be selected to suit the operation frequency. The sub-oscillator must be connected to a 32.768 KHz crystal through XIN2 and XOUT2 external pins when the dual-clock operation mode is selected by option code. The connection is shown in Figure 3. One machine cycle consists of a four-state system clock sequence and can run up to 1 μ S with a 4 MHz system clock.

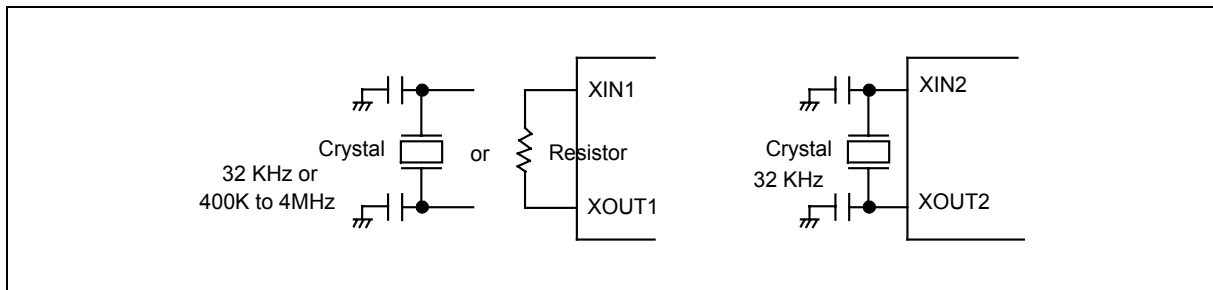


Figure 3. System Clock Oscillator Configuration

Dual-clock operation

This operation mode is selected by code option. In the dual-clock mode, the clock source of the LCD frequency selector should be the sub-oscillator clock (32768 Hz) only. But in the single-clock mode, the clock source of the LCD frequency selector will be F_m or $F_m/32$ (F_m : main oscillator clock). So when the STOP instruction is executing, the LCD will be turned off in the single-clock mode; but the LCD will keep working in the dual-clock mode.

In this dual-clock mode, the normal operation is performed by generating the system clock from the main-oscillator clock (F_m). As required, the slow operation can be performed by generating the system clock from the sub-oscillator clock (F_s). The exchange of the normal operation and the slow operation is performed by resetting or setting the bit 0 of the system clock control register (SCR). If the SCR.0 is reset to 0, the clock source of the system clock generator is the main-oscillator clock; if the SCR.0 is set to 1, the clock source of the system clock generator is the sub-oscillator clock. In the dual-clock mode, the main-oscillator can stop oscillating when the STOP instruction is executing or the SCR.1 is set to 1. But in the single-clock mode, only the STOP instruction can stop the main-oscillator oscillating, because the SCR would be disabled in the single-clock mode. Therefore, in single-clock mode, the clock source of the system clock generator is the main-oscillator clock ($F_{OSC} = F_m$).

When the SCR is set or reset, we must pay attention to the following:

1. X000B \rightarrow X011B: Disable the main-oscillator (F_m) should not be done simultaneously with changing the system clock source (F_{OSC}) from F_m to F_s . The F_{OSC} should be changed first from F_m to F_s before the main-oscillator (F_m) is disabled. The correct sequence is: X000B \rightarrow X001B \rightarrow X011B.



2. X011B → X000B: Enabling the main-oscillator (Fm) should not be done simultaneously with changing the FOSC from Fs into Fm. The main-oscillator (Fm) should be enabled first before a delay subroutine is called to allow the main-oscillator to oscillate stably. The FOSC can now be changed from Fs into Fm. The correct sequence is therefore X011B→X001B→delay subroutine→X000B.

The suggested delay for Fm is 20 mS for 455 KHz ceramic resonator and 10 mS for 4 MHz crystal. We must remember that the X010B state is inhibitive, because it will induce a system shutdown. The organization of the dual-clock operation mode is shown below.

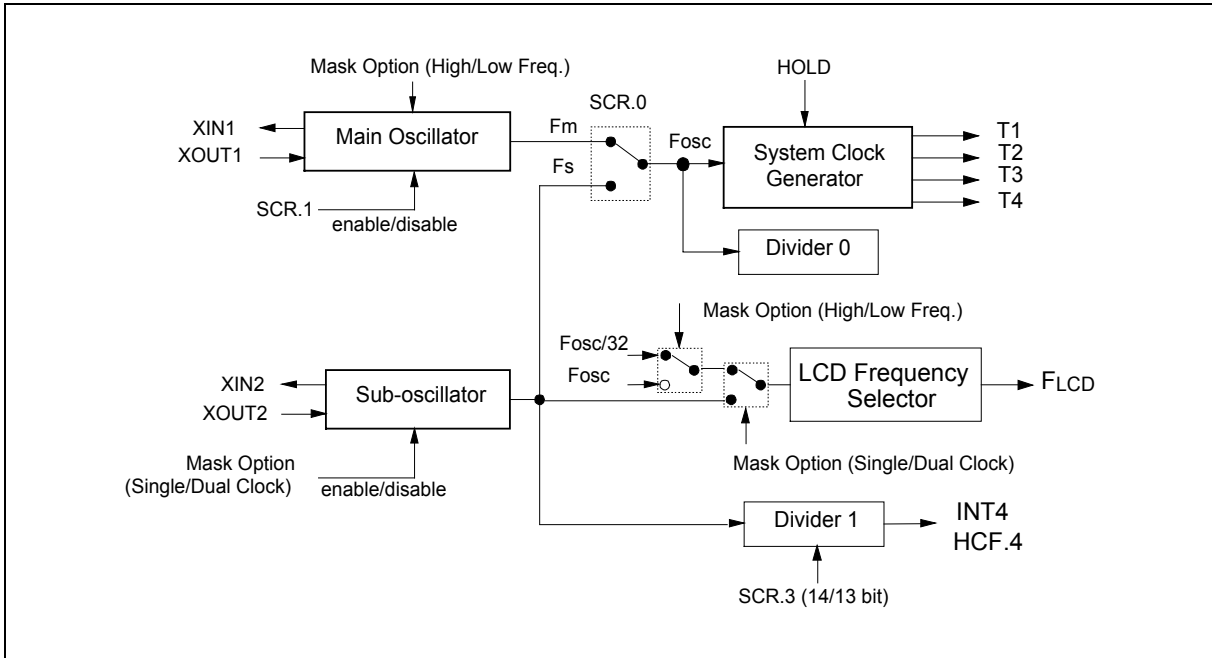


Figure 4. The Dual Clock Operation Mode Control Diagram

	3	2	1	0
SCR	W	—	W	W

Note: W means write only.

Bit 0 = 0 Main oscillator is selected (Fosc = Fm)

= 1 Sub-oscillator is selected (Fosc = Fs)

Bit 1 = 0 Enable Fm

= 1 Disable Fm

Bit 2 Reserved

Bit 3 = 0 14-bit Divider1 is selected

= 1 13-bit Divider1 is selected



Dual clock operation mode:

- Sub-oscillator enable
- SCR.0 = 0, Fosc = Fm
- Flcd = Fs, in STOP mode LCD work continue

Single clock operation mode:

- Sub-oscillator disable
- SCR not use, Main oscillator enable, Fosc = Fm
- Flcd = Fosc (Fosc/32), in STOP mode LCD off

Divider

Each divider is organized as a 14-bit binary up-counter designed to generate periodic interrupts. When the main oscillator starts action, the Divider0 is incremented by each clock (Fosc). When an overflow occurs, the Divider0 event flag is set to 1 (EVF.0 = 1). The interrupt is executed if the Divider0 interrupt enable flag has been set (IEF.0 = 1), and the hold state is terminated if the hold release enable flag has been set (HEF.0 = 1). The last 4-stage of the Divider0 can be reset by executing a CLR DIVR0 instruction. If the main oscillator is connected to the 32768 Hz crystal, the EVF.0 will be set to 1 periodically at each 500 mS interval.

If the sub-oscillator is enabled, the Divider1 is incremented by each clock (Fs). When an overflow occurs, the Divider1 event flag is set to 1 (EVF.4 = 1). The interrupt is executed if the Divider1 interrupt enable flag has been set (IEF.4 = 1), and the hold state is terminated if the hold release enable flag has been set (HEF.4 = 1). There are two time periods (250 mS & 500 mS) that can be selected by setting the SCR.3 bit. When SCR.3 = 0 (default), the 500 mS period time is selected; when SCR.3 = 1, the 250 mS period time is selected.

Watchdog Timer (WDT)

The watchdog timer (WDT) is organized as a 4-bit up counter and is designed to protect the program from unknown errors. The WDT is enabled when the corresponding option code bit of the WDT is set to 1. If the WDT overflows, the chip will be reset. At initial reset, the input clock of the WDT is Fosc/1024. The input clock of the WDT can be switched to Fosc/16384 (or Fosc/1024) by executing the SET PMF, #08H (or CLR PMF, #08H) instruction. The contents of the WDT can be reset by the instruction CLR WDT. In normal operation, the application program must reset WDT before it overflows. A WDT overflow indicates that the operation is not under control and the chip will be reset. The WDT minimum overflow period is 468.75 mS when the system clock (Fosc) is 32 KHz and WDT clock input is Fosc/1024. When the corresponding option code bit of the WDT is set to 0, and the WDT function is disabled. The organization of the Divider0 and watchdog timer is shown in Figure 5.

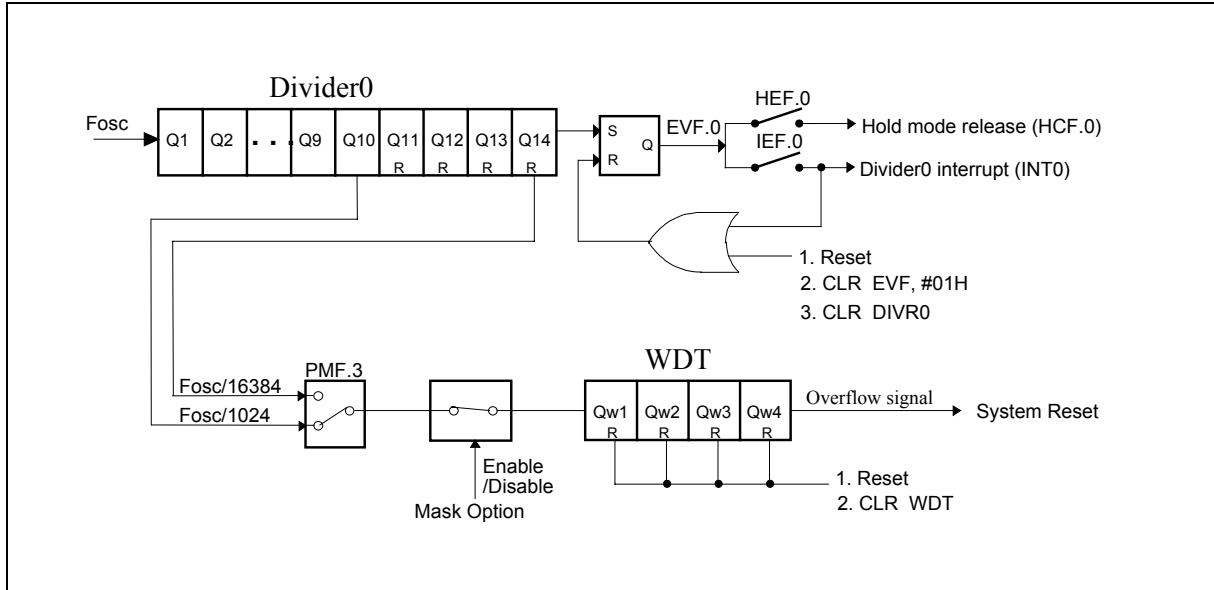


Figure 5. Organization of Divider0 and Watchdog Timer

Parameter Flag (PMF)

The parameter flag is organized as a 4-bit binary register (PMF.0 to PMF.3). The PMF is controlled by the SET PMF, #I or CLR PMF, #I instruction. The bit descriptions are as follows:

	3	2	1	0
PMF	W	-	-	-

Note: W means write only.

Bit 0, Bit1, Bit2 Reserved

Bit 3 = 0 The fundamental frequency of the watchdog timer is $F_{osc}/1024$.

= 1 The fundamental frequency of the watchdog timer is $F_{osc}/16384$.

Timer/Counter

1. Timer 0 (TM0)

Timer 0 (TM0) is a programmable 8-bit binary down-counter. The specified value can be loaded into TM0 by executing the MOV TM0L (TM0H), R or MOV TM0, #I instructions. When the MOV TM0L (TM0H), R instructions are executed, the TM0 will stop down-counting (if the TM0 is down-counting), the MR0.3 will be reset to 0, and the specified value is loaded into TM0. If MR0.3 is set to 1, the event flag 1 (EVF.1) is reset and the TM0 starts to count. When it decrements to FFH, Timer 0 stops operating and generates an underflow (EVF.1 = 1). The interrupt is executed if the Timer 0 interrupt enable flag has been set (IEF.1 = 1); and the hold state is terminated if the hold release enable flag 1 has been set (HEF.1 = 1). The Timer 0 clock input can be set as $F_{osc}/1024$ or $F_{osc}/4$ by setting MR0.0 to 1 or by resetting MR0.0 to 0. The default timer value is $F_{osc}/4$. The organization of Timer 0 is shown in Figure 6.



If the Timer 0 clock input is FOSC/4:

$$\text{Desired time interval} = (\text{preset value} + 1) \times 4 \times 1/\text{FOSC}$$

If the Timer 0 clock input is FOSC/1024:

$$\text{Desired time interval} = (\text{preset value} + 1) \times 1024 \times 1/\text{FOSC}$$

Preset value: Decimal number of Timer 0 preset value, and

FOSC: Clock oscillation frequency

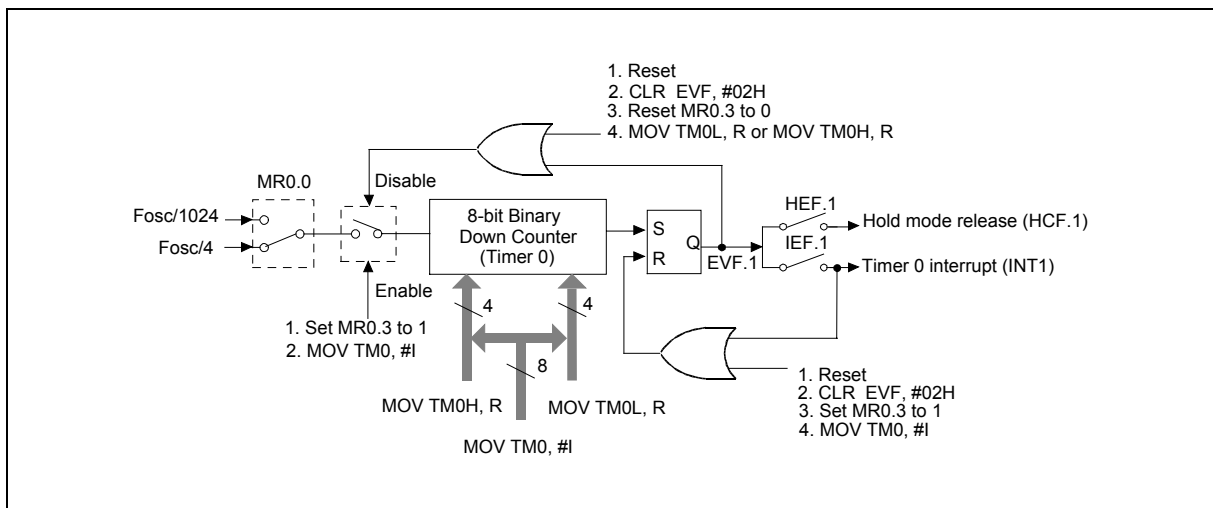


Figure 6. Organization of Timer 0

2. Timer 1 (TM1)

Timer 1 (TM1) is also a programmable 8-bit binary down counter, as shown in Figure . Timer 1 can be used as a counter to count external events or to output an arbitrary frequency to the MFP pin. The input clock of Timer 1 can be one of three sources: FOSC/64, FOSC, or an external clock from the RC.0 input pin. The source can be selected by setting bit 0 and bit 1 of mode register 1 (MR1). At initial reset, the Timer 1 clock input is FOSC. If an external clock is selected as the clock source of Timer 1, the content of Timer 1 is decreased by 1 at the falling edge of RC.0. When the MOV TM1L, R or MOV TM1H, R instruction is executed, the specified data are loaded into the auto-reload buffer and the TM1 down-counting will be disabled (i.e. MR1.3 is reset to 0). If the bit 3 of MR1 is set (MR1.3 = 1), the contents of the auto-reload buffer will be loaded into the TM1 down counter, Timer 1 starts to down count, and the event flag 7 is reset (EVF.7 = 0). When the MOV TM1, #I instruction is executed, the event flag 7 (EVF.7) and MR1.3 are reset and the specified value is loaded into auto-reload buffer and TM1 by the internal hardware, then the MR1.3 is set, that is the TM1 starts to count by the hardware. When the timer decrements to FFH, it will generate an underflow (EVF.7 = 1) and be auto-reloaded with the specified data, after which it will continue to count down. An interrupt is executed if the interrupt enable flag 7 has been set to 1 (IEF.7 = 1), and the hold state is terminated if the hold mode release enable flag 7 is set to 1 (HEF.7 = 1). The specified frequency of Timer 1 can be delivered to the MFP output pin by programming bit 2 of MR1. Bit 3 of MR1 can be used to make Timer 1 stop or start counting.

If the Timer 1 clock input is FT, then:



Desired timer interval = (preset value + 1) / FT

Desired frequency for MFP output pin = FT ÷ (preset value + 1) ÷ 2 (Hz)

Preset value: Decimal number of Timer 1 preset value, and

Fosc: Clock oscillation frequency

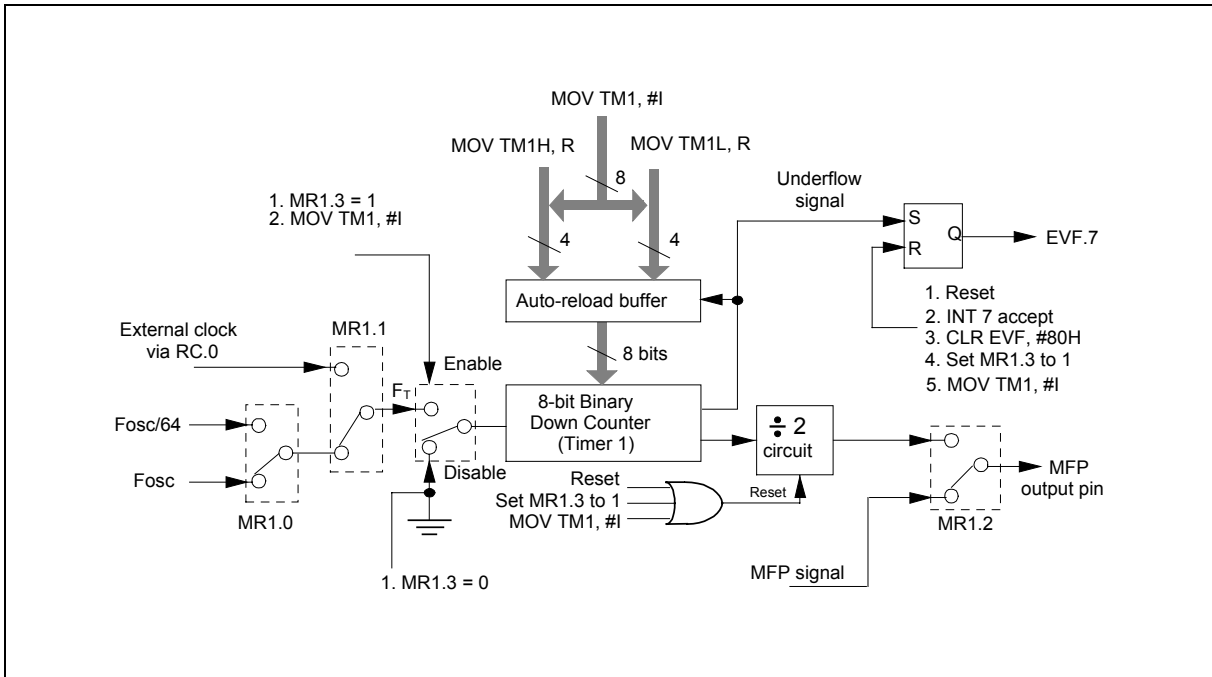


Figure 7. Organization of Timer 1

For example, when FT equals 32768 Hz, depending on the preset value of TM1, the MFP pin will output a single tone signal in the tone frequency range from 64 Hz to 16384 Hz. The relation between the tone frequency and the preset value of TM1 is shown in the table below.



		3rd octave			4th octave			5th octave		
		Tone frequency	TM1 preset value & MFP frequency		Tone frequency	TM1 preset value & MFP frequency		Tone frequency	TM1 preset value & MFP frequency	
T	C	130.81	7CH	131.07	261.63	3EH	260.06	523.25	1EH	528.51
	C#	138.59	75H	138.84	277.18	3AH	277.69	554.37	1CH	564.96
	D	146.83	6FH	146.28	293.66	37H	292.57	587.33	1BH	585.14
	D#	155.56	68H	156.03	311.13	34H	309.13	622.25	19H	630.15
O	E	164.81	62H	165.49	329.63	31H	327.68	659.26	18H	655.36
	F	174.61	5DH	174.30	349.23	2EH	372.36	698.46	16H	712.34
N	F#	185.00	58H	184.09	369.99	2BH	390.09	739.99	15H	744.72
	G	196.00	53H	195.04	392.00	29H	420.10	783.99	14H	780.19
E	G#	207.65	4EH	207.39	415.30	26H	443.81	830.61	13H	819.20
	A	220.00	49H	221.40	440.00	24H	442.81	880.00	12H	862.84
	A#	233.08	45H	234.05	466.16	22H	468.11	932.23	11H	910.22
	B	246.94	41H	248.24	493.88	20H	496.48	987.77	10H	963.76

Note: Central tone is A4 (440 Hz).

Mode Register 0 (MR0)

Mode Register 0 is organized as a 4-bit binary register (MR0.0 to MR0.3). MR0 can be used to control the operation of Timer 0. The bit descriptions are as follows:

	3	2	1	0
MR0	W	-	-	W

Note: W means write only.

Bit 0 = 0 The fundamental frequency of Timer 0 is $F_{OSC}/4$.

= 1 The fundamental frequency of Timer 0 is $F_{OSC}/1024$.

Bit 1 & Bit 2 are reserved

Bit 3 = 0 Timer 0 stops down-counting.

= 1 Timer 0 starts down-counting.

Mode Register 1 (MR1)

Mode Register 1 is organized as a 4-bit binary register (MR1.0 to MR1.3). MR1 can be used to control the operation of Timer 1. The bit descriptions are as follows:

	3	2	1	0
MR1	W	W	W	W

Note: W means write only.



- Bit 0 = 0 The internal fundamental frequency of Timer 1 is Fosc.
- = 1 The internal fundamental frequency of Timer 1 is Fosc/64.
- Bit 1 = 0 The fundamental frequency source of Timer 1 is the internal clock.
- = 1 The fundamental frequency source of Timer 1 is the external clock from RC.0 input pin.
- Bit 2 = 0 The specified waveform of the MFP generator is delivered at the MFP output pin.
- = 1 The specified frequency of Timer 1 is delivered at the MFP output pin.
- Bit 3 = 0 Timer 1 stops down-counting.
- = 1 Timer 1 starts down-counting.

Input/Output Ports RA, RB

Port RA consists of pins RA.0 to RA.3 and Port RB consists of pins RB.0 to RB.3. At initial reset, input/output ports RA and RB are both in input mode. When RA and RB are used as output ports, CMOS or NMOS open drain output type can be selected by the PM0 register. Each pin of port RA or RB can be specified as input or output mode independently by the PM1 and PM2 registers. The MOVA R, RA or MOVA R, RB instructions operate the input functions and the MOV RA, R or MOV RB, R operate the output functions. For more details, refer to the instruction table and Figure 8.

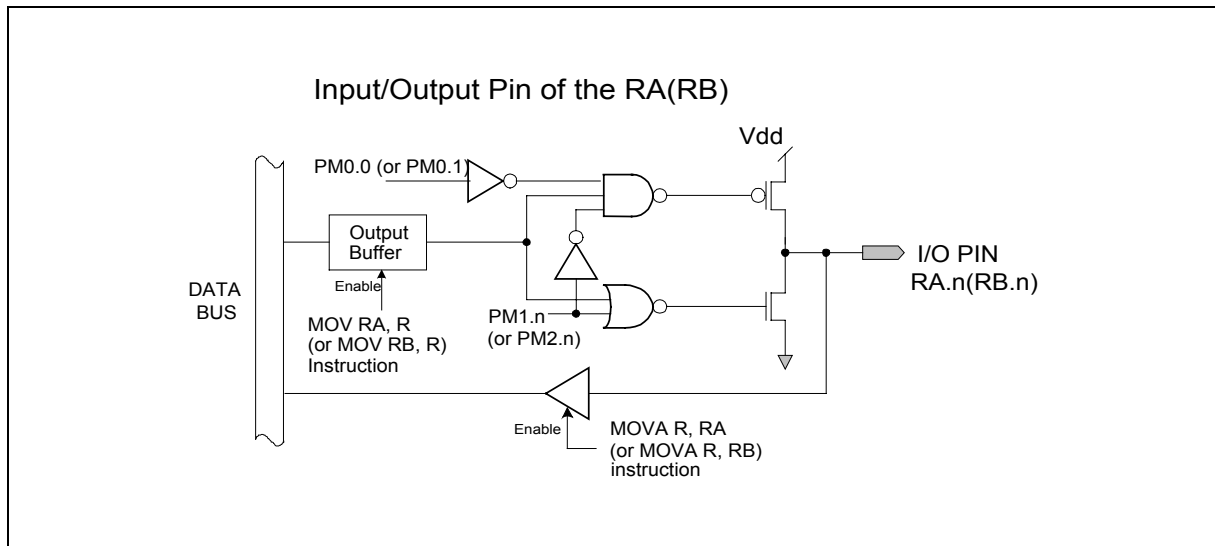


Figure 8. Architecture of Input/Output Pins



Port Mode 0 Register (PM0)

The port mode 0 register is organized as 4-bit binary register (PM0.0 to PM0.3). PM0 can be used to determine the structure of the input/output ports; it is controlled by the MOV PM0, #I instruction. The bit descriptions are as follows:

	3	2	1	0
PM0	w	w	w	w

Note: W means write only.

- Bit 0 = 0 RA port is CMOS output type. Bit 0 = 1 RA port is NMOS open drain output type.
- Bit 1 = 0 RB port is CMOS output type. Bit 1 = 1 RB port is NMOS open drain output type.
- Bit 2 = 0 RC port pull-high resistor is disabled. Bit 2 = 1 RC port pull-high resistor is enabled.
- Bit 3 = 0 RD port pull-high resistor is disabled. Bit 3 = 1 RD port pull-high resistor is enabled.

Port Mode 1 Register (PM1)

The port mode 1 register is organized as 4-bit binary register (PM1.0 to PM1.3). PM1 can be used to control the input/output mode of port RA. PM1 is controlled by the MOV PM1, #I instruction. The bit descriptions are as follows:

	3	2	1	0
PM1	w	w	w	w

Note: W means write only.

- Bit 0 = 0 RA.0 works as output pin; Bit 0 = 1 RA.0 works as input pin
 - Bit 1 = 0 RA.1 works as output pin; Bit 1 = 1 RA.1 works as input pin
 - Bit 2 = 0 RA.2 works as output pin; Bit 2 = 1 RA.2 works as input pin
 - Bit 3 = 0 RA.3 works as output pin; Bit 3 = 1 RA.3 works as input pin
- At initial reset, port RA is input mode (PM1 = 1111B).

Port Mode 2 Register (PM2)

The port mode 2 register is organized as 4-bit binary register (PM2.0 to PM2.3). PM2 can be used to control the input/output mode of port RB. PM2 is controlled by the MOV PM2, #I instruction. The bit descriptions are as follows:

	3	2	1	0
PM2	w	w	w	w

Note: W means write only.



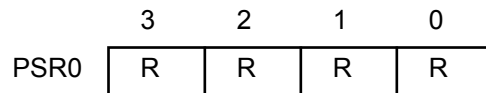
Bit 0 = 0 RB.0 works as output pin; Bit 0 = 1 RB.0 works as input pin
 Bit 1 = 0 RB.1 works as output pin; Bit 1 = 1 RB.1 works as input pin
 Bit 2 = 0 RB.2 works as output pin; Bit 2 = 1 RB.2 works as input pin
 Bit 3 = 0 RB.3 works as output pin; Bit 3 = 1 RB.3 works as input pin
 At initial reset, the port RB is input mode (PM2 = 1111B).

Input Ports RC & RD

Port RC consists of pins RC.0 to RC.3, and port RD consists of pins RD.0 to RD.3. Each pin of port RC and port RD can be connected to a pull-up resistor, which is controlled by the port mode 0 register (PM0). When the PEF, HEF, and IEF corresponding to the RC port are set, a signal change on the specified pins of port RC will execute the hold mode release or interrupt subroutine. Port status register 0 (PSR0) records the status of ports RC, i.e., any signal changes on the pins that make up the port. PSR0 can be read out and cleared by the MOV R, PSR0, and CLR PSR0 instructions. In addition, the falling edge signal on the pin of port RC specified by the instruction MOV SEF, #I will cause the device to exit the stop mode. Refer to Figure 9 and the instruction table for more details. The RD port is used as input port only, it has no hold mode release, wake-up stop mode or interrupt functions.

Port Status Register 0 (PSR0)

Port status register 0 is organized as 4-bit binary register (PSR0.0 to PSR0.3). PSR0 can be read or cleared by the MOVA R, PSR0, and CLR PSR0 instructions. The bit descriptions are as follows:

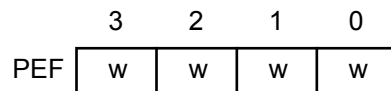


Note: R means read only.

Bit 0 = 1 Signal change at RC.0
 Bit 1 = 1 Signal change at RC.1
 Bit 2 = 1 Signal change at RC.2
 Bit 3 = 1 Signal change at RC.3

Port Enable Flag (PEF)

The port enable flag is organized as 4-bit binary register (PEF.0 to PEF.3). Before port RC may be used to release the hold mode or perform interrupt function, the content of the PEF must be set first. The PEF is controlled by the MOV PEF, #I instruction. The bit descriptions are as follows:



Note: W means write only.



PEF.0: Enable/disable the signal change at pin RC.0 to release hold mode or perform interrupt.
 PEF.1: Enable/disable the signal change at pin RC.1 to release hold mode or perform interrupt.
 PEF.2: Enable/disable the signal change at pin RC.2 to release hold mode or perform interrupt.
 PEF.3: Enable/disable the signal change at pin RC.3 to release hold mode or perform interrupt.

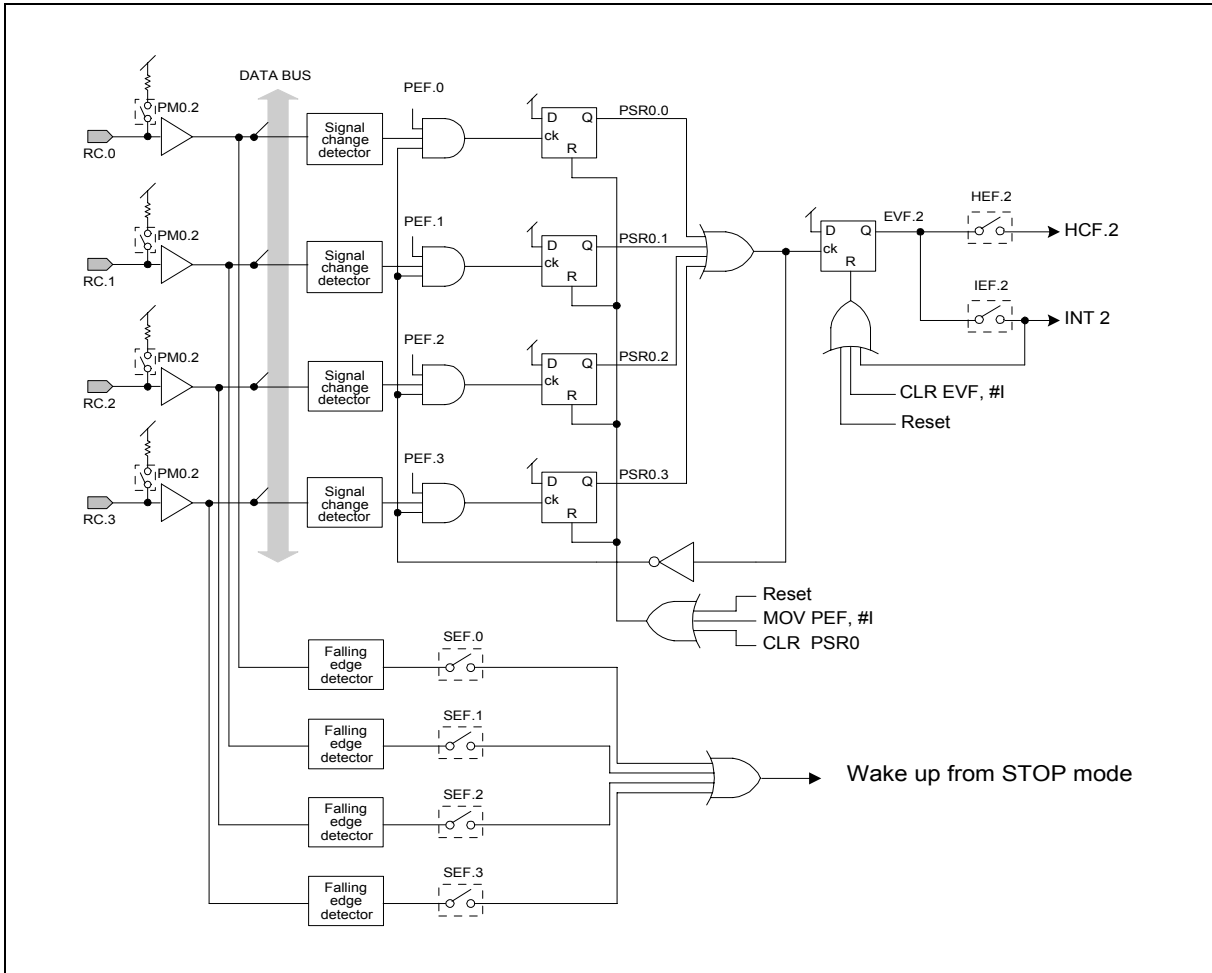


Figure 9. Architecture of Input Port RC

Output Port RE

When the MOV RE, R instruction is executed, the data in the RAM will be output to port RE and it provides a high sink current to drive LEDs.

MFP Output Pin (MFP)

The MFP output pin can output the Timer 1 clock or the modulation frequency; the output of the pin is determined by mode register 1 (MR1). The configuration of MFP is shown in Figure 9. When bit 2 of MR1 is reset to "0," the MFP output can deliver a modulation output in any combination of one signal from among DC, 4096Hz, 2048Hz, and one or more signals from among 128 Hz, 64 Hz, 8 Hz, 4 Hz, 2 Hz, or 1 Hz (when using a 32.768 KHz crystal). The MOV MFP, #1 instruction is used to specify the

W741E260



modulation output combination. The data specified by the 8-bit operand and the MFP output pin are shown below.

(Fosc = 32.768 KHz)

R7 R6	R5	R4	R3	R2	R1	R0	FUNCTION
0 0	0	0	0	0	0	0	Low level
	0	0	0	0	0	1	128 Hz
	0	0	0	0	1	0	64 Hz
	0	0	0	1	0	0	8 Hz
	0	0	1	0	0	0	4 Hz
	0	1	0	0	0	0	2 Hz
	1	0	0	0	0	0	1 Hz
0 1	0	0	0	0	0	0	High level
	0	0	0	0	0	1	128 Hz
	0	0	0	0	1	0	64 Hz
	0	0	0	1	0	0	8 Hz
	0	0	1	0	0	0	4 Hz
	0	1	0	0	0	0	2 Hz
	1	0	0	0	0	0	1 Hz
1 0	0	0	0	0	0	0	2048 Hz
	0	0	0	0	0	1	2048 Hz * 128 Hz
	0	0	0	0	1	0	2048 Hz * 64 Hz
	0	0	0	1	0	0	2048 Hz * 8 Hz
	0	0	1	0	0	0	2048 Hz * 4 Hz
	0	1	0	0	0	0	2048 Hz * 2 Hz
	1	0	0	0	0	0	2048 Hz * 1 Hz
1 1	0	0	0	0	0	0	4096 Hz
	0	0	0	0	0	1	4096 Hz * 128 Hz
	0	0	0	0	1	0	4096 Hz * 64 Hz
	0	0	0	1	0	0	4096 Hz * 8 Hz
	0	0	1	0	0	0	4096 Hz * 4 Hz
	0	1	0	0	0	0	4096 Hz * 2 Hz
	1	0	0	0	0	0	4096 Hz * 1 Hz

Interrupts

The W741E260 provides four internal interrupt sources (Divider 0, Divider 1, Timer 0, Timer 1) and one external interrupt source (port RC) for W741C260 body or three internal interrupt sources (Divider 0, Timer 0, Timer 1) and two external interrupt sources (port RC, $\overline{\text{INT}}$ pin) for W741C250 body. Vector addresses for each of the interrupts are located in the range of program memory (ROM) addresses 004H to 020H. The flags IEF, PEF, and EVF are used to control the interrupts. When EVF is set to "1" by hardware and the corresponding bits of IEF and PEF have been set by software, an interrupt is generated. When an interrupt occurs, all of the interrupts are inhibited until the EN INT or MOV IEF, #I instruction is invoked. The interrupts can also be disabled by executing the DIS INT instruction. When an interrupt is generated in hold mode, the hold mode will be released momentarily and interrupt subroutine will be executed. After the RTN instruction is executed in an interrupt subroutine, the μC will enter hold mode again. The operation flow chart is shown in Figure 11. The control diagram is shown below.

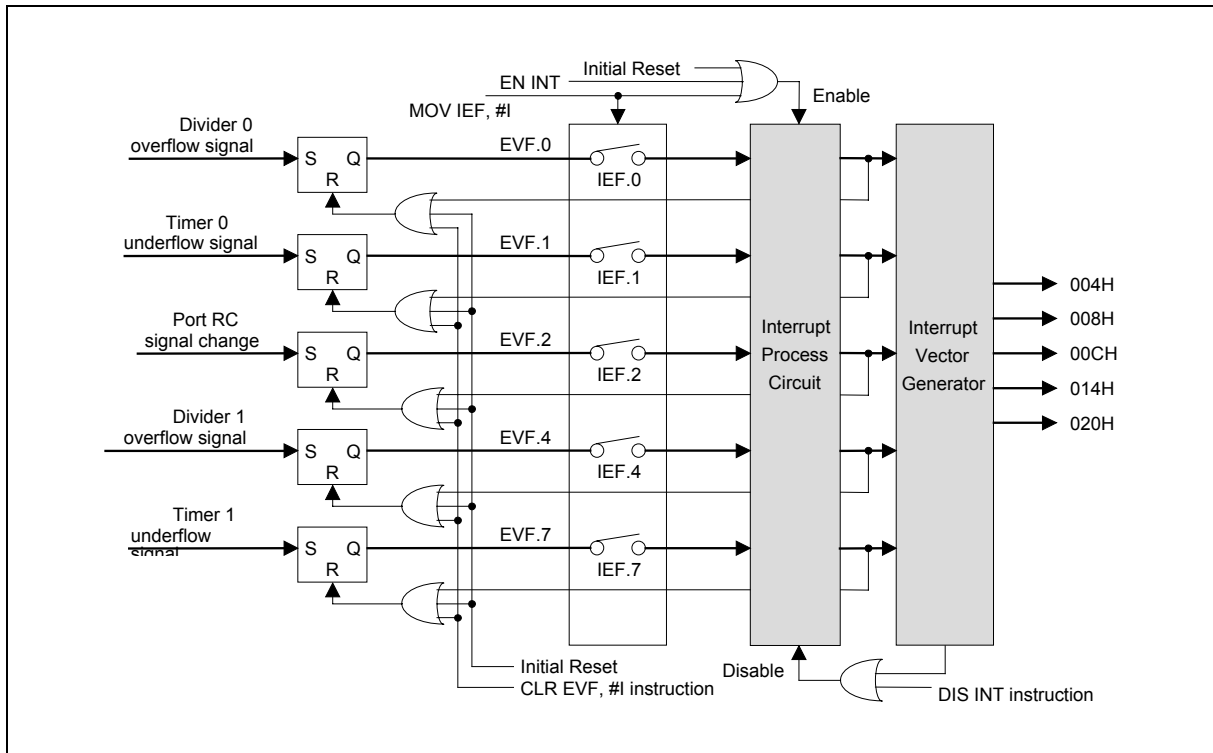


Figure 10. Interrupt Event Control Diagram

Interrupt Enable Flag (IEF)

The interrupt enable flag is organized as an 8-bit binary register (IEF.0 to IEF.7). These bits are used to control the interrupt conditions. It is controlled by the MOV IEF, #I instruction. When one of these interrupts is accepted, the corresponding to the bit of the event flag will be reset, but the other bits are unaffected. In interrupt subroutine, these interrupts will be disabled till the instruction MOV IEF, #I or EN INT is executed again. Otherwise, these interrupts can be disabled by executing DIS INT instruction. The bit descriptions are as follows:



	7	6	5	4	3	2	1	0
IEF	w	—	—	w	—	w	w	w

Note: W means write only.

IEF.0 = 1 Interrupt 0 is accepted by overflow from the Divider 0.

IEF.1 = 1 Interrupt 1 is accepted by underflow from the Timer 0.

IEF.2 = 1 Interrupt 2 is accepted by a signal change at port RC.

IEF.3 is reserved.

IEF.4 = 1 Interrupt 4 is accepted by overflow from the Divider 1 for W741C260 body.

Interrupt 4 is accepted by a falling edge signal at the $\overline{\text{INT}}$ pin for W741C250 body.

IEF.5 & IEF.6 are reserved.

IEF.7 = 1 Interrupt 7 is accepted by underflow from Timer 1.

Stop Mode Operation

In stop mode, all operations of the μC cease (excluding the operation of the sub-oscillator and divider 1 when the dual-clock operation mode is selected). The μC enters stop mode when the STOP instruction is executed and exits stop mode when an external trigger is activated (by a falling signal on the RC port for W741C260 body or by a falling signal on the RC port or a low level on the $\overline{\text{INT}}$ pin for W741C250 body). When the designated signal is accepted, the μC awakens and executes the next instruction (if the corresponding bits of IEF and PEF have been set, It will enter the interrupt service routine after stop mode released). To prevent erroneous execution, the NOP instruction should follow the STOP command. But In the dual-clock slow operation mode, the STOP instruction will disable the main-oscillator oscillating; the μC system is still operated by the sub-oscillator.

Stop Mode Wake-up Enable Flag for RC Port (SEF)

The stop mode wake-up flag for port RC is organized as an 4-bit binary register (SEF.0 to SEF.3). Before port RC may be used to make the device exit the stop mode, the content of the SEF must be set first. The SEF is controlled by the MOV SEF, #I instruction. The bit descriptions are as follows:

	3	2	1	0
SEF	w	w	w	w

Note: W means write only.

SEF.0 = 1 Device will exit stop mode when falling edge signal is applied to pin RC.0

SEF.1 = 1 Device will exit stop mode when falling edge signal is applied to pin RC.1

SEF.2 = 1 Device will exit stop mode when falling edge signal is applied to pin RC.2

SEF.3 = 1 Device will exit stop mode when falling edge signal is applied to pin RC.3



Hold Mode Operation

In hold mode, all operations of the μC cease, except for the operation of the oscillator, Timer, Divider and LCD driver. The μC enters hold mode when the HOLD instruction is executed. The hold mode can be released in one of five ways: by the action of timer 0, timer 1, divider 0, divider 1, the RC port. Before the device enters the hold mode, the HEF, PEF, and IEF flags must be set to define the hold mode release conditions. For more details, refer to the instruction-set table and the following flow chart.

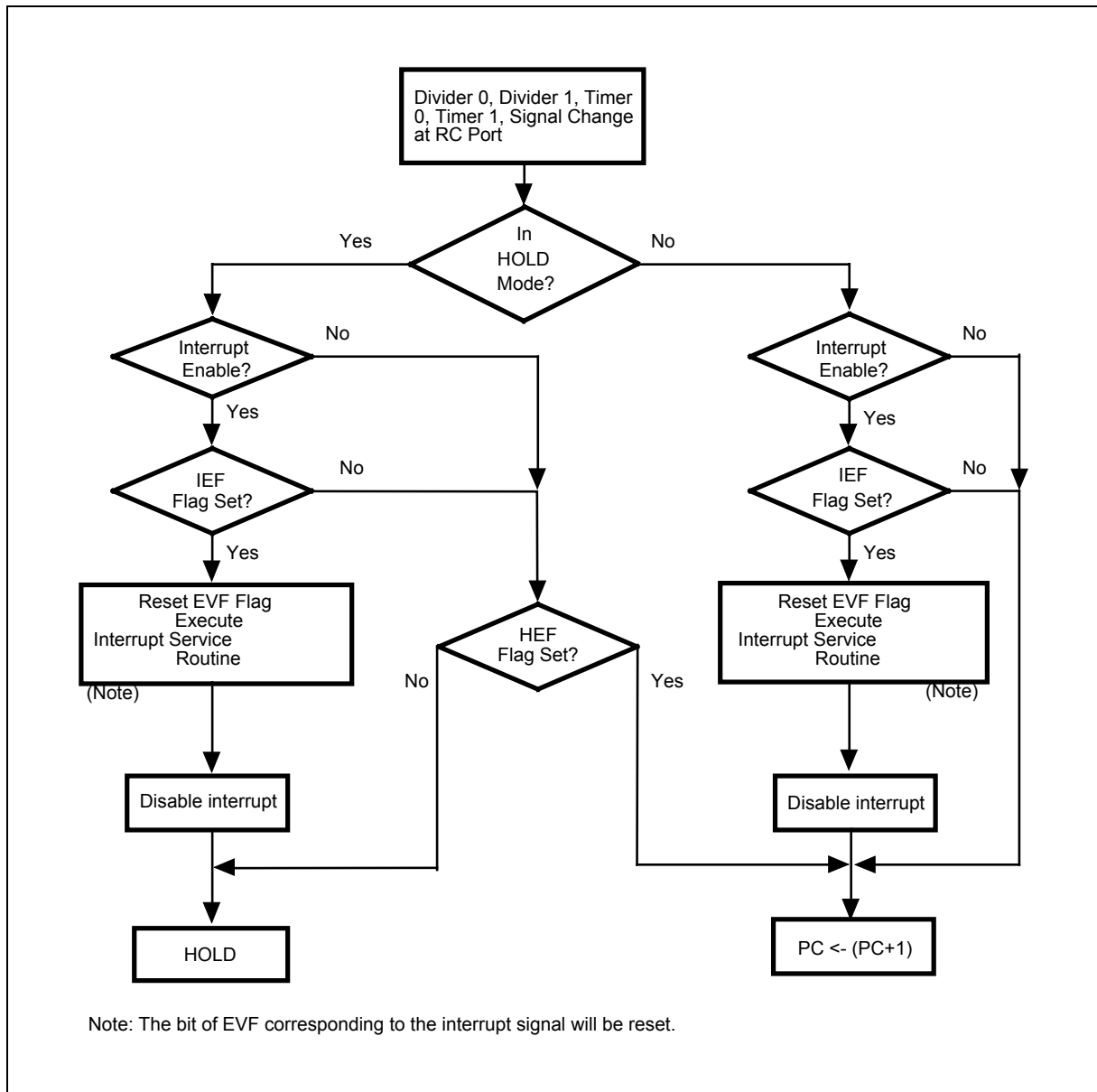


Figure 11. Hold Mode and Interrupt Operation Flow Chart



Hold Mode Release Enable Flag (HEF)

The hold mode release enable flag is organized as an 8-bit binary register (HEF.0 to HEF.7). The HEF is used to control the hold mode release conditions. It is controlled by the MOV HEF, #I instruction. The bit descriptions are as follows:

	7	6	5	4	3	2	1	0
HEF	w	—	—	w	—	w	w	w

Note: W means write only.

HEF.0 = 1 Overflow from the Divider 0 causes Hold mode to be released.

HEF.1 = 1 Underflow from Timer 0 causes Hold mode to be released.

HEF.2 = 1 Signal change at port RC causes Hold mode to be released.

HEF.3 is reserved.

HEF.4 = 1 Overflow from the Divider 1 causes Hold mode to be released for W741C260 body.

Falling edge signal at the $\overline{\text{INT}}$ pin causes Hold mode to be released for W741C250 body.

HEF.5 & HEF.6 are reserved.

HEF.7 = 1 Underflow from Timer 1 causes Hold mode to be released.

Hold Mode Release Condition Flag (HCF)

The hold mode release condition flag is organized as a 8-bit binary register (HCF.0 to HCF.7). It indicates by which interrupt source the hold mode has been released, and is loaded by hardware. The HCF can be read out by the MOVA R, HCFL and MOVA R, HCFH instructions. When any of the HCF bits is "1," the hold mode will be released and the HOLD instruction is invalid. The HCF can be reset by the CLR EVF or MOV HEF, #I (HEF = 0) instructions. When EVF and HEF have been reset, the corresponding bit of HCF is reset simultaneously. The bit descriptions are as follows:

	7	6	5	4	3	2	1	0
HCF	—	—	R	R	—	R	R	R

Note: R means read only.

HCF.0 = 1 Hold mode was released by overflow from the divider 0.

HCF.1 = 1 Hold mode was released by underflow from the timer 0.

HCF.2 = 1 Hold mode was released by a signal change at port RC.

HCF.3 is reserved.

HCF.4 = 1 Hold mode was released by overflow from the divider 1 for W741C260 body.

Hold mode was released by a falling edge signal at the $\overline{\text{INT}}$ pin for W741C250 body.

HCF.5 = 1 Hold mode was released by underflow from the timer 1.

HCF.6 and HCF.7 are reserved.



Event Flag (EVF)

The event flag is organized as a 8-bit binary register (EVF.0 to EVF.7). It is set by hardware and reset by CLR EVF, #I instruction or the occurrence of an interrupt. The bit descriptions are as follows:

	7	6	5	4	3	2	1	0
EVF	R	—	—	R	—	R	R	R

Note: R means read only.

EVF.0 = 1 Overflow from divider 0 occurred.

EVF.1 = 1 Underflow from timer 0 occurred.

EVF.2 = 1 Signal change at port RC occurred.

EVF.3 is reserved.

EVF.4 = 1 Overflow from divider 1 occurred for W741C260 body.

Falling edge signal at the $\overline{\text{INT}}$ pin occurred for W741C250 body.

EVF.5 & EVF.6 are reserved.

EVF.7 = 1 Underflow from Timer 1 occurred.

Reset Function

The W741E260 is reset either by a power-on reset or by using the external $\overline{\text{RES}}$ pin. The initial state of the W741E260 after the reset function is executed is described below.

Program Counter (PC)	000H
TM0, TM1	Reset
MR0, MR1, PAGE registers	Reset
PSR0 registers	Reset
IEF, HEF, HCF, PEF, EVF, SEF flags	Reset
SCR register	Reset
Timer 0 input clock	FOSC/4
Timer 1 input clock	FOSC
MFP output	Low
Input/output ports RA, RB	Input mode
Output port RE	High
RA & RB ports output type	CMOS type
RC & RD ports pull-high resistors	Disable
Input clock of the watchdog timer	FOSC/1024
LCD display	OFF
Segment output mode	LCD drive output



LCD Controller/Driver

The W741E260 can directly drive an LCD with 32 segment output pins and 4 common output pins for a total of 32×4 dots. Option codes can be used to select one of five options for the LCD driving mode: static, 1/2 Bias 1/2 duty, 1/2 Bias 1/3 duty, 1/3 Bias 1/3 duty, or 1/3 Bias 1/4 duty (see Figure 13). The alternating frequency of the LCD can be set as $F_w/64$, $F_w/128$, $F_w/256$, or $F_w/512$. In addition, option codes can also be used to set up four of the LCD driver output pins (segment 0 to segment 31) as a DC output port. The structure of the LCD alternating frequency (FLCD) is shown in Figure 12.

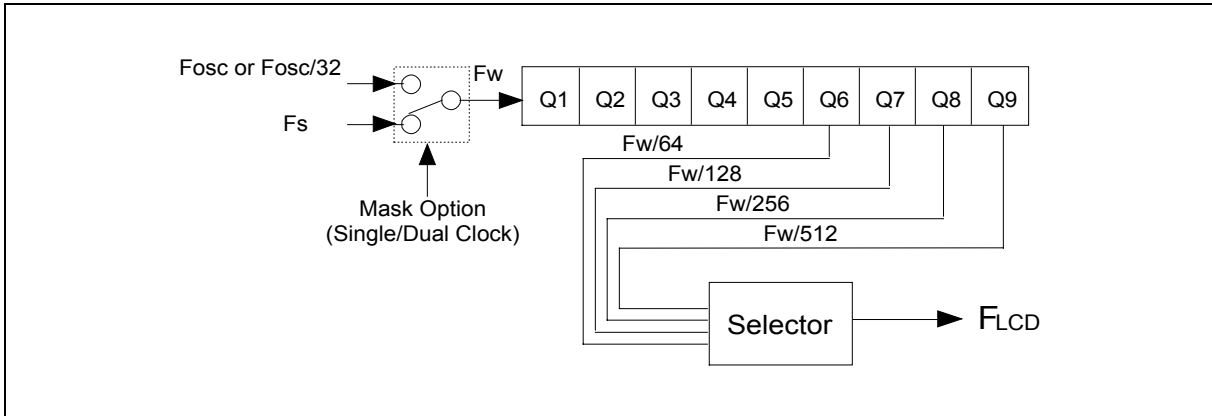


Figure 12. LCD Alternating Frequency (FLCD) Circuit Diagram

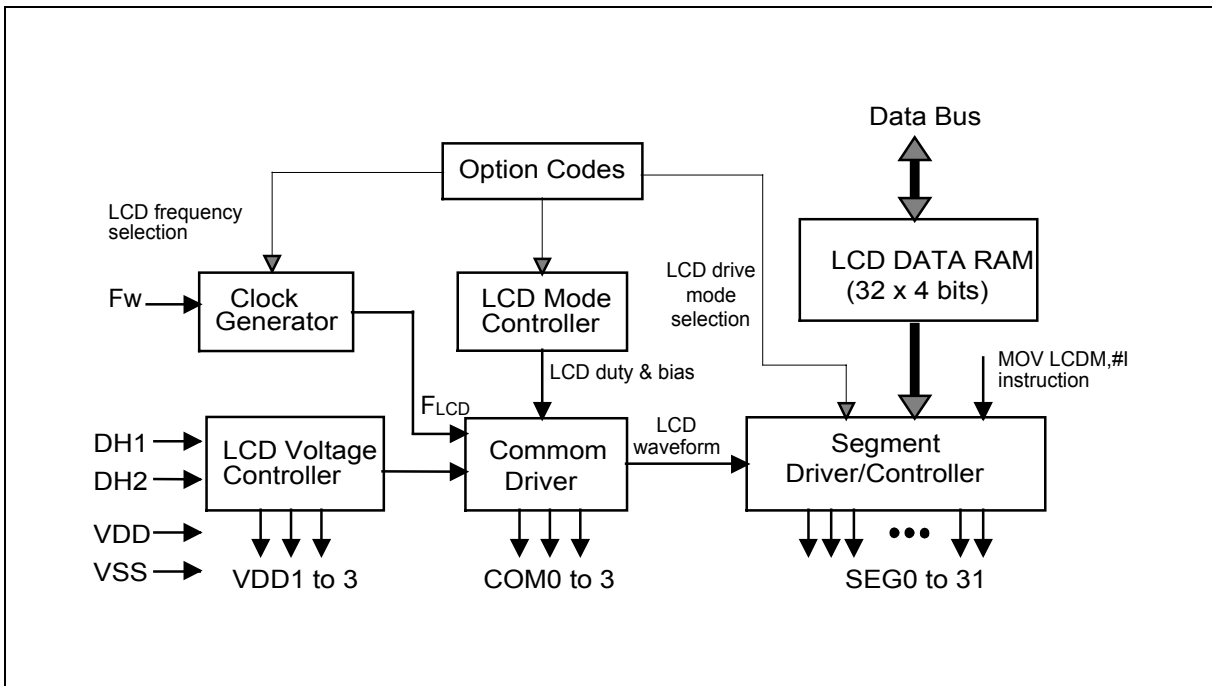


Figure 13. LCD Driver/Controller Circuit Diagram



When Fw = 32.768 KHz, the LCD frequency is as shown in the table below.

LCD Frequency	Static	1/2 Duty	1/3 Duty	1/4 Duty
Fw/512 (64 Hz)	64	32	21	16
Fw/256 (128 Hz)	128	64	43	32
Fw/128 (256 Hz)	256	128	85	64
Fw/64 (512 Hz)	512	256	171	128

Corresponding to the 32 LCD drive output pins, there are 32 LCD data RAM segments (LCDR00 to Lcdr1F). Instructions such as MOV Lcdr, #i; MOV WR, Lcdr; MOV Lcdr, WR; and MOV Lcdr, ACC are used to control the LCD data RAM. The data in the LCD data RAM are transferred to the segment output pins automatically without program control. When the bit value of the LCD data RAM is "1," the LCD is turned on. When the bit value of the LCD data RAM is "0," LCD is turned off. The contents of the LCD data RAM (LCDR) are sent out through the segment0 to segment31 pins by a direct memory access. The relation between the LCD data RAM and segment/common pins is shown below.

LCD Data RAM	Output Pin	COM3 bit 3	COM2 bit 2	COM1 bit 1	COM0 bit 0
LCDR00	SEG0	0/1	0/1	0/1	0/1
LCDR01	SEG1	0/1	0/1	0/1	0/1
.
.
LCDR1E	SEG30	0/1	0/1	0/1	0/1
LCDR1F	SEG31	0/1	0/1	0/1	0/1

The LCDON instruction turns the LCD display on (even in HOLD mode), and the LCDOFF instruction turns the LCD display off. At initial reset, all the LCD segments are lit. When the initial reset state ends, the LCD display is turned off automatically. To turn on the LCD display, the instruction LCDON must be executed. When the drive output pins are used as DC output ports (setting by option codes, please refer the user's manual of ASM741S assembler for more detail), CMOS output type or NMOS output type can be selected by executing the instruction MOV LCDM, #i. The relationship between the LCD data RAM and segment/common pins is shown below. The data in Lcdr00 are transferred to the corresponding segment output port (SEG3 to SEG0) by a direct memory access. The other LCD data RAM segments can be used as normal data RAM to store data.

LCD Data RAM	Output Pin	Bit 3	Bit 2	Bit 1	Bit 0
LCDR00	SEG3-SEG0	SEG3	SEG2	SEG1	SEG0
LCDR03-Lcdr01	-	-	-	-	-
LCDR04	SEG7-SEG4	SEG7	SEG6	SEG5	SEG4
LCDR07-Lcdr05	-	-	-	-	-
.
.
LCDR1C	SEG31-SEG30	SEG31	SEG30	SEG29	SEG28
LCDR1F-Lcdr1D	-	-	-	-	-



The relationship between the LCD drive mode and the maximum number of drivable LCD segments is shown below.

LCD Drive Mode	Max. Number of Drivable LCD Segment	Connection at Power Input
STATIC	32 (COM0)	Connect VDD3, VDD2 to VDD1
1/2 Bias 1/2 Duty	64 (COM0-COM1)	Connect VDD3 to VDD2
1/2 Bias 1/3 Duty	96 (COM0-COM2)	Connect VDD3 to VDD2
1/3 Bias 1/3 Duty	96 (COM0-COM2)	-
1/3 Bias 1/4 Duty	128 (COM0-COM3)	-

LCD Output Mode Type Flag (LCDM)

The LCD output mode type flag is organized as an 8-bit binary register (LCDM.0 to LCDM.7). These bits are used to control the LCD output pins architecture. When LCD output pins are set to DC output mode by option codes, the architecture of these output pins (segment 0 to segment 31) can be selected as CMOS or NMOS type. It is controlled by the MOV LCDM, #I instruction. The bit descriptions are as follows:

	7	6	5	4	3	2	1	0
LCDM	w	w	w	w	w	w	w	w

Note: W means write only.

LCDM.0 = 0 SEG0 to SEG3 work as CMOS output type.

= 1 SEG0 to SEG3 work as NMOS output type.

LCDM.1 = 0 SEG4 to SEG7 work as CMOS output type.

= 1 SEG4 to SEG7 work as NMOS output type.

LCDM.2 = 0 SEG8 to SEG11 work as CMOS output type.

= 1 SEG8 to SEG11 work as NMOS output type.

LCDM.3 = 0 SEG12 to SEG15 work as CMOS output type.

= 1 SEG12 to SEG15 work as NMOS output type.

LCDM.4 = 0 SEG16 to SEG19 work as CMOS output type.

= 1 SEG16 to SEG19 work as NMOS output type.

LCDM.5 = 0 SEG20 to SEG23 work as CMOS output type.

= 1 SEG20 to SEG23 work as NMOS output type.

LCDM.6 = 0 SEG24 to SEG27 work as CMOS output type.

= 1 SEG24 to SEG27 work as NMOS output type.

LCDM.7 = 0 SEG28 to SEG31 work as CMOS output type.

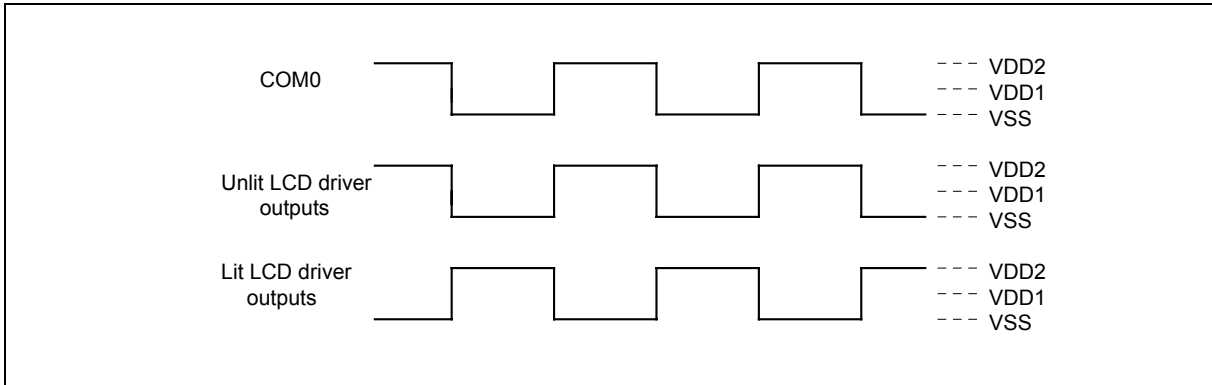
= 1 SEG28 to SEG31 work as NMOS output type.

The output waveforms for the five LCD driving modes are shown below.



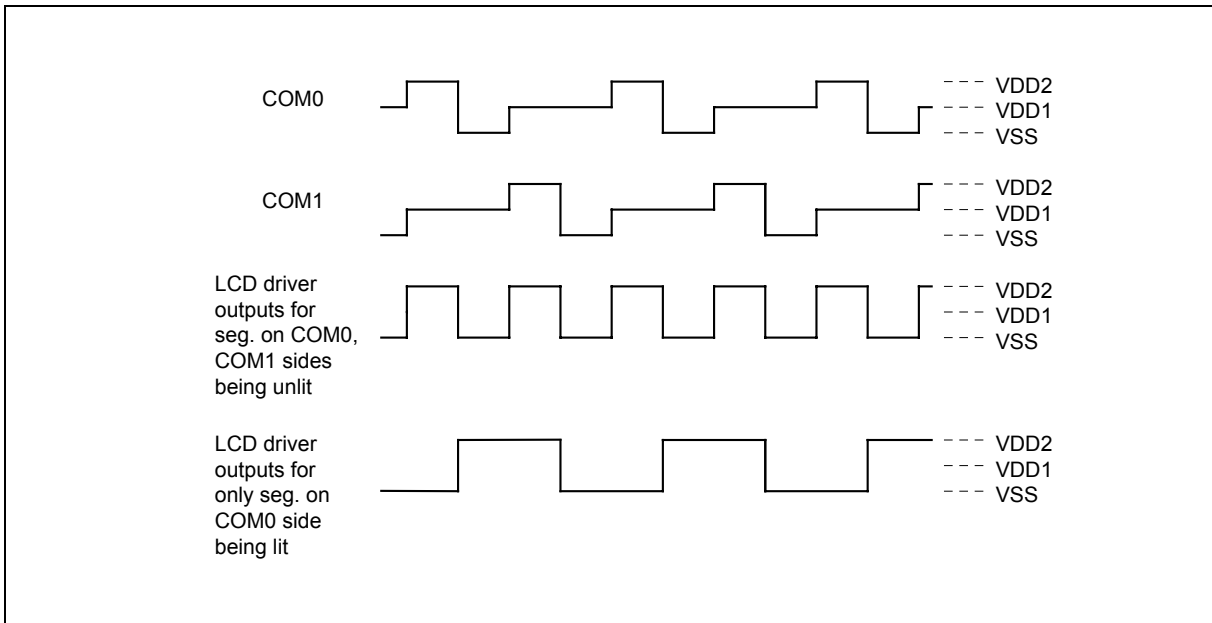
Static Lighting System (Example)

Normal Operating Mode



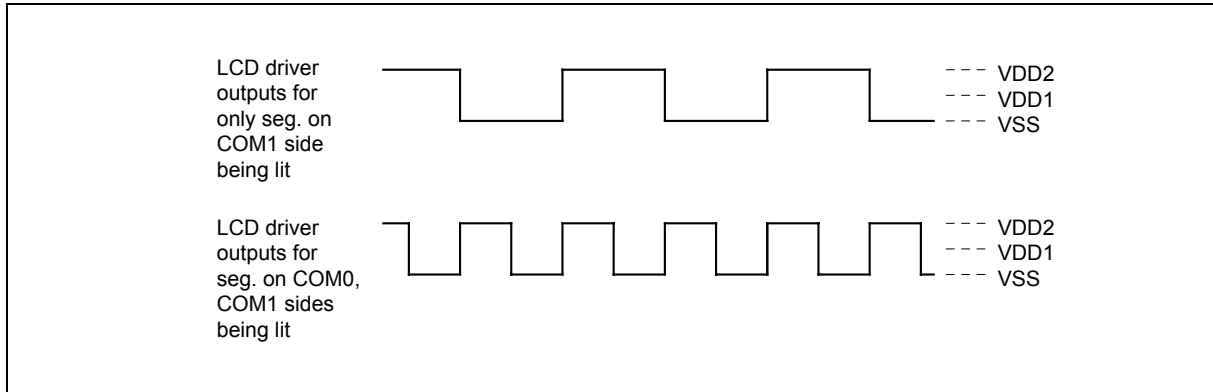
1/2 Bias 1/2 duty Lighting System (Example)

Normal Operating Mode



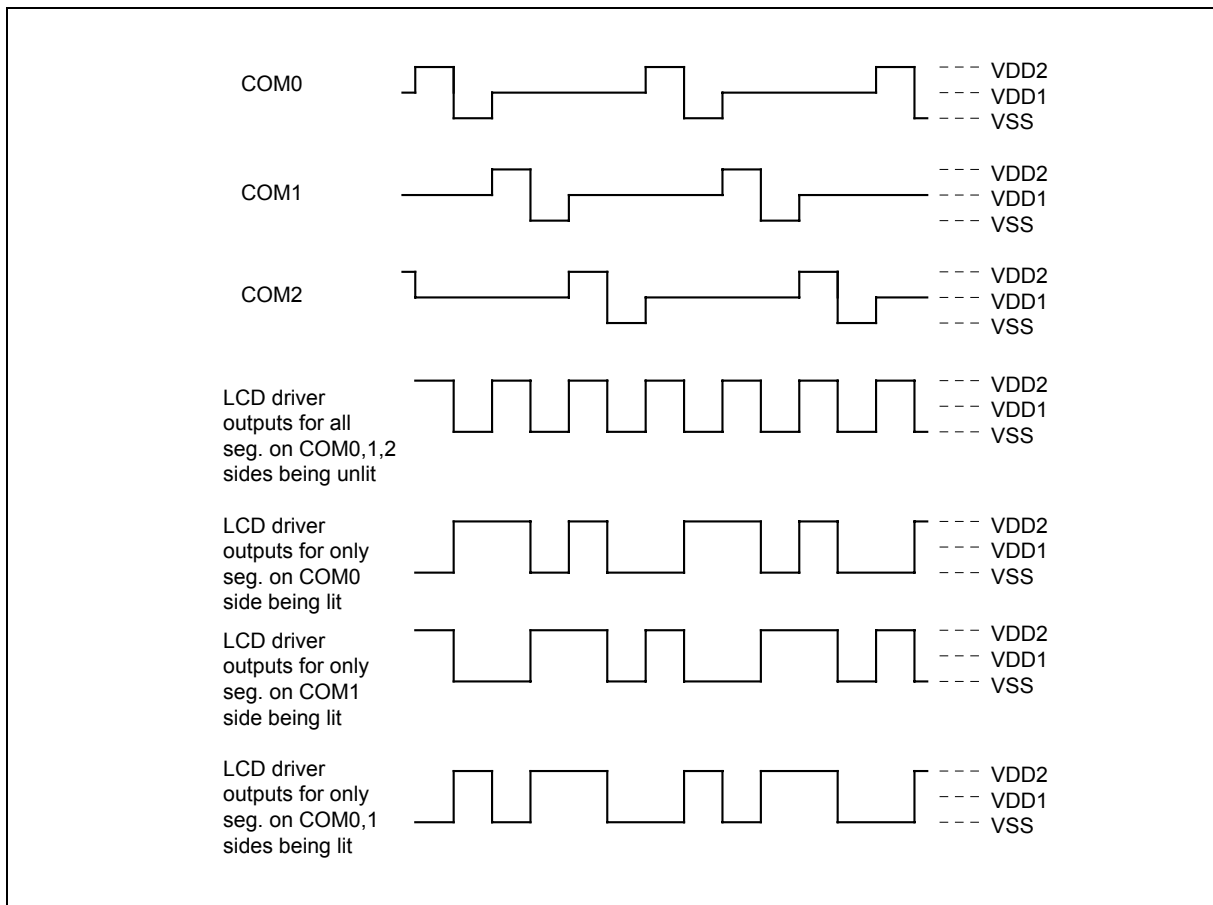


1/2 Bias 1/2 duty Lighting System (Example) - Normal Operating Mode, continued



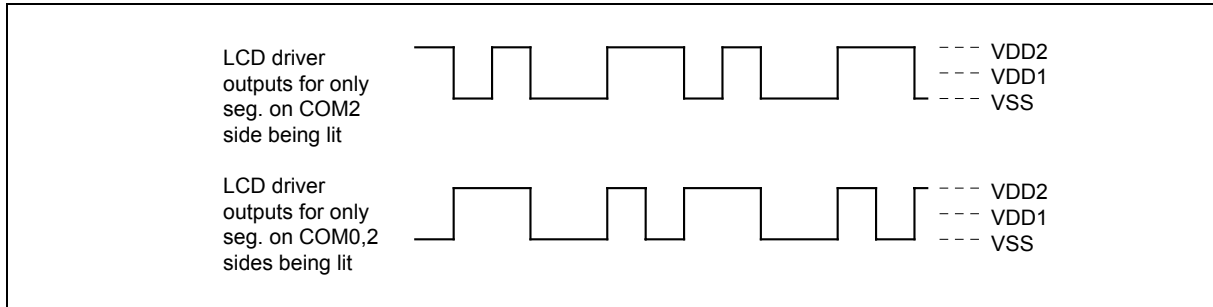
1/2 Bias 1/3 duty Lighting System (Example)

Normal Operating Mode



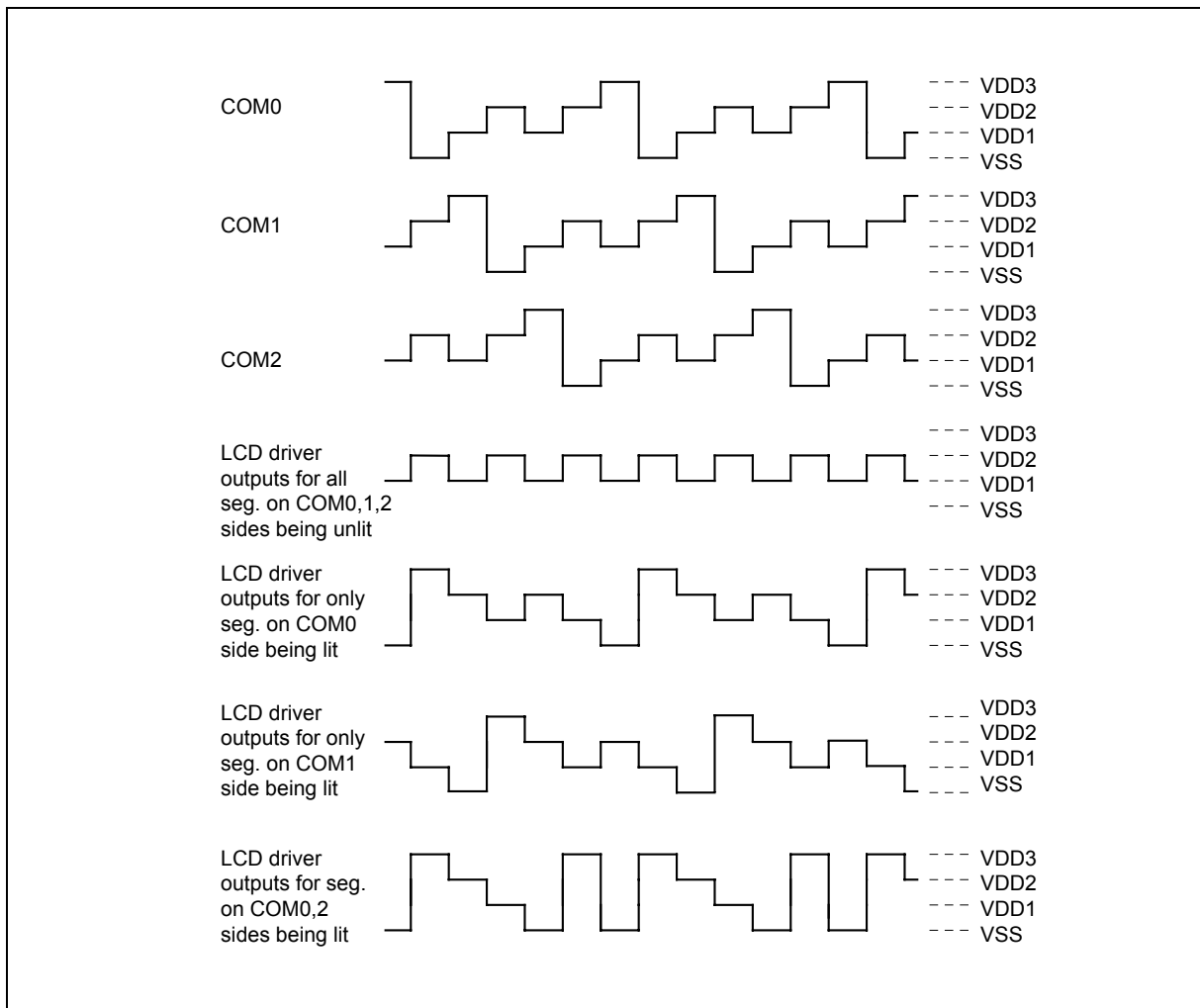


1/2 Bias 1/3 duty Lighting System (Example) - Normal Operating Mode, continued



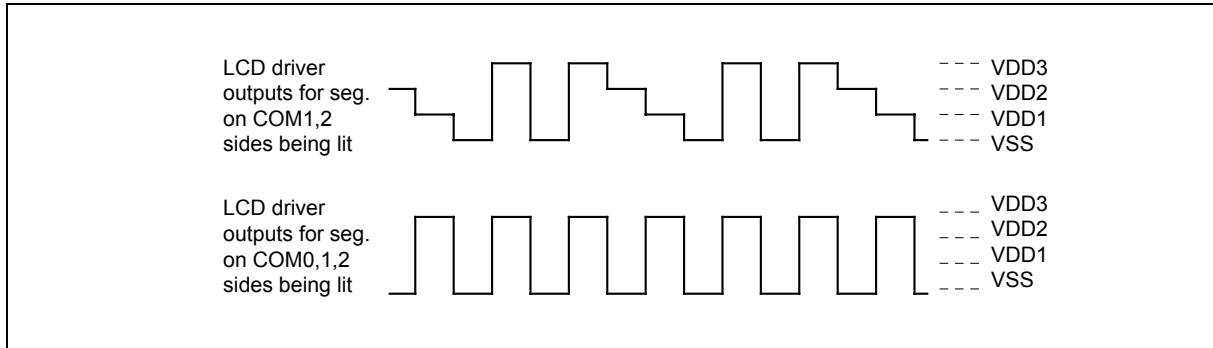
1/3 Bias 1/3 duty Lighting System (Example)

Normal Operating Mode



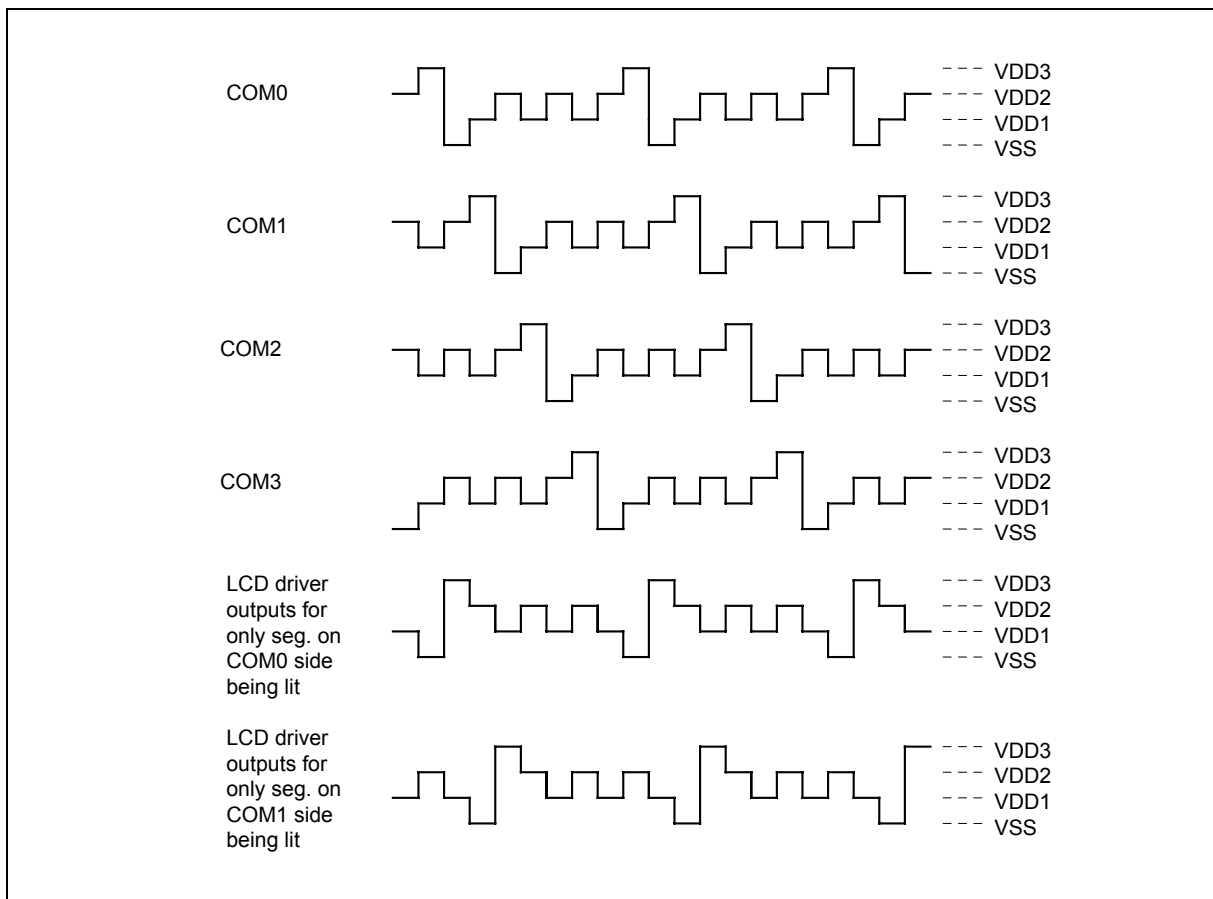


1/3 Bias 1/3 duty Lighting System (Example) - Normal Operating Mode, continued



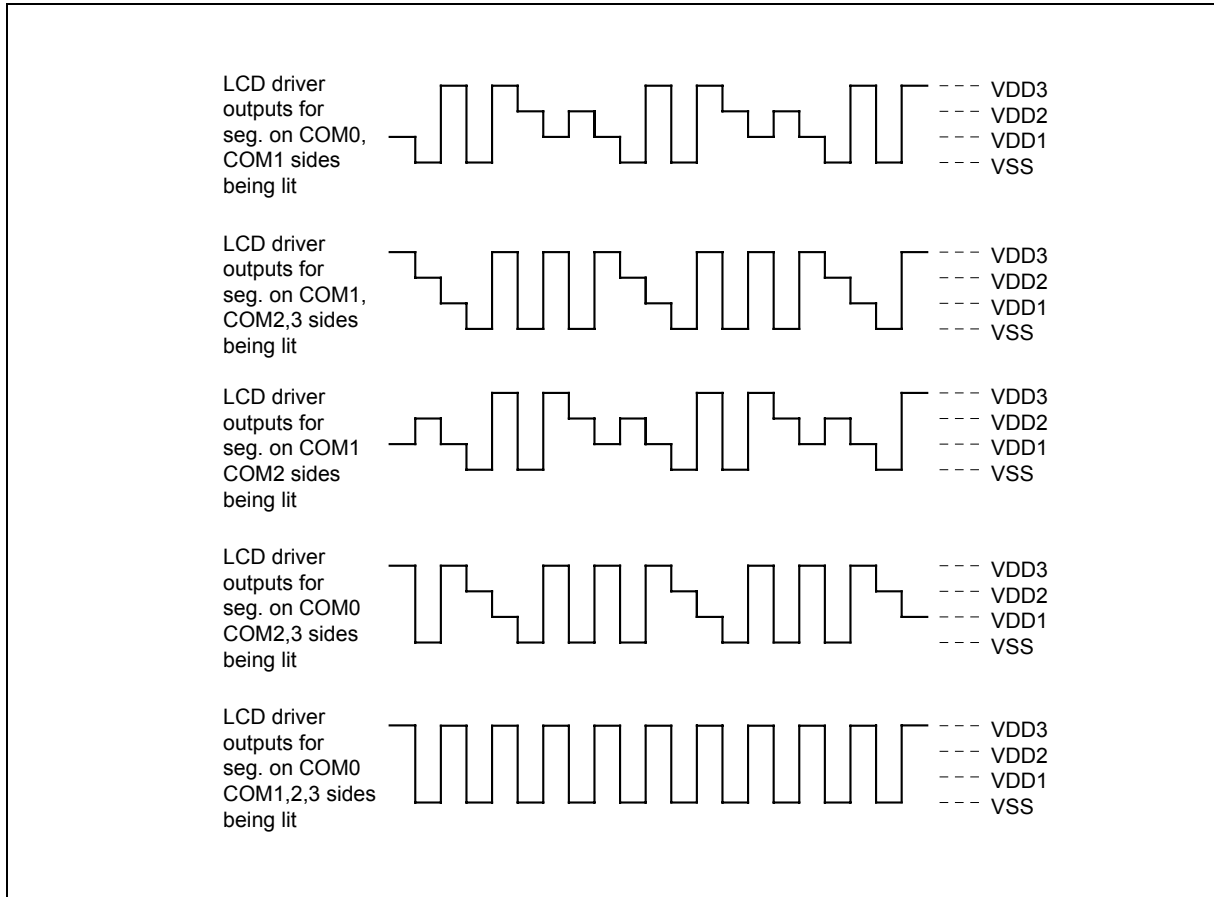
1/3 Bias 1/4 duty Lighting System (Example)

Normal Operating Mode



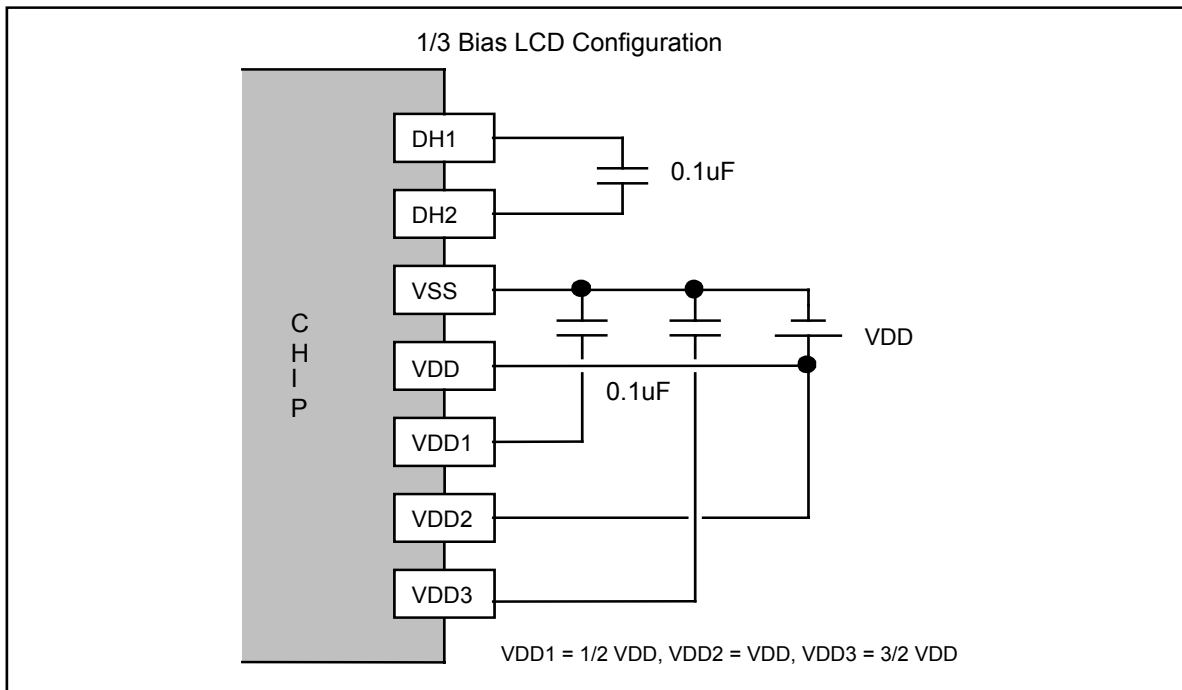
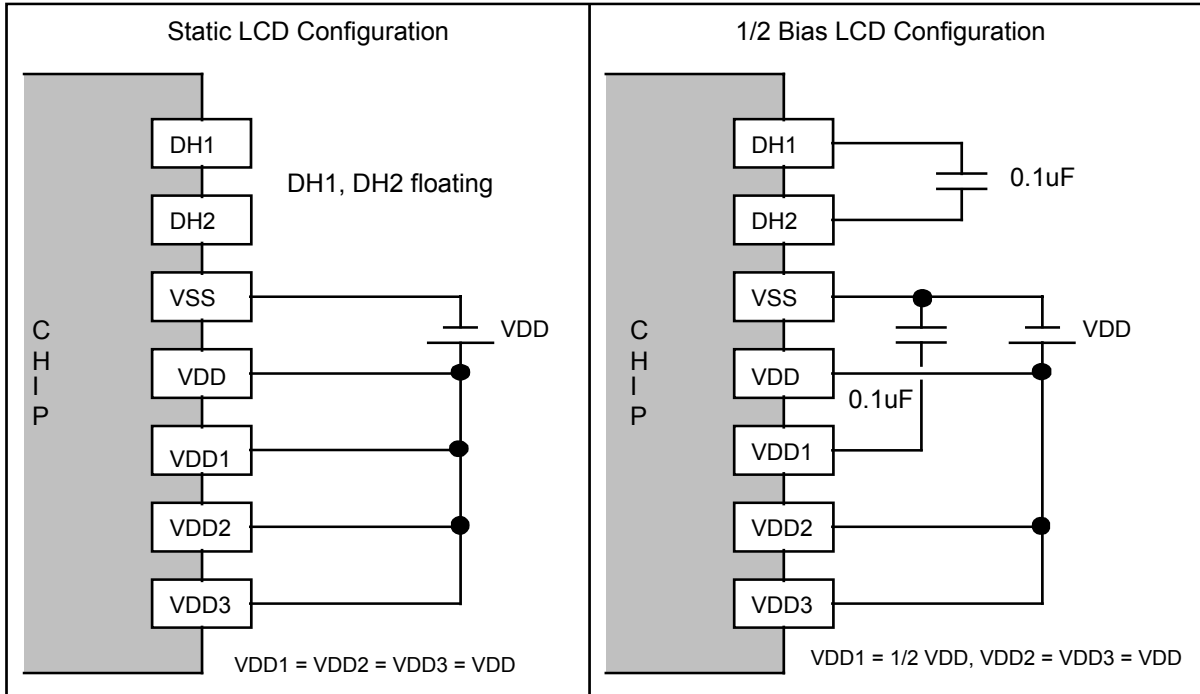


1/3 Bias 1/4 duty Lighting System (Example) - Normal Operating Mode, continued



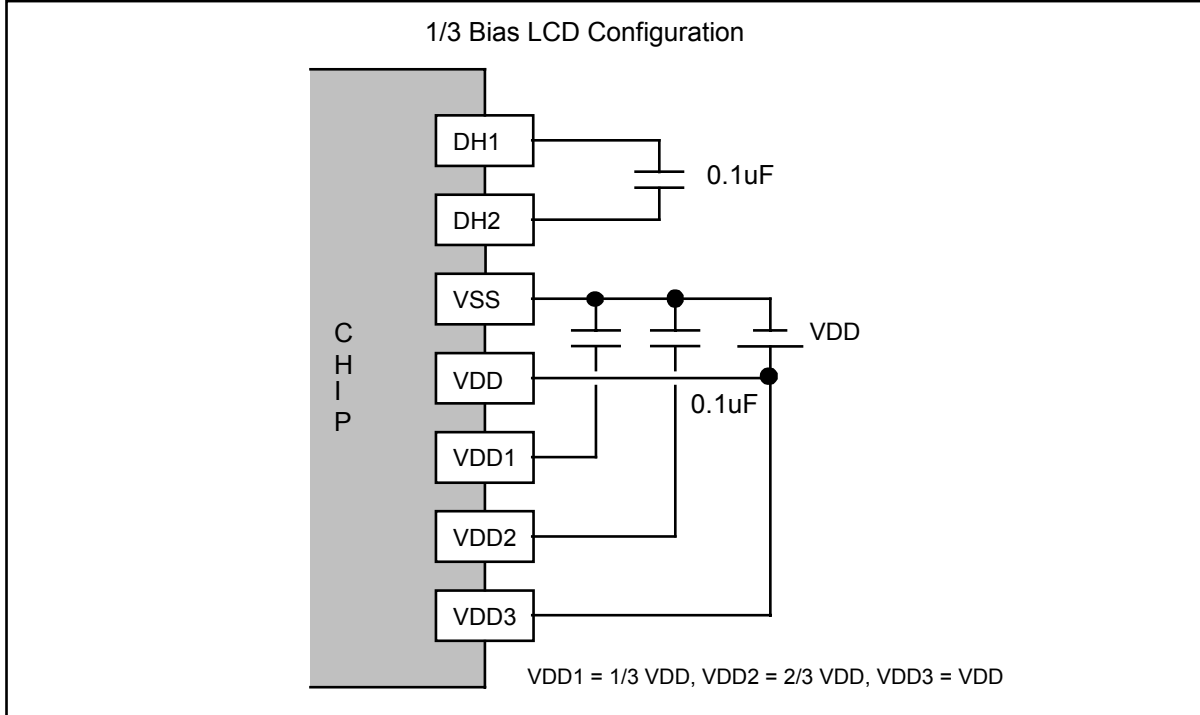


The power connections for each LCD driving mode, which are determined by a mask option, are shown below.





LCD Configuration, continued



EEPROM Program/Erase Description

The built-in program code memory of the W741E260 is the EEPROM structure. This memory can be programmed, erased and verified through the VPP, MODE and DATA pins. The on board program/erase connection is shown below.

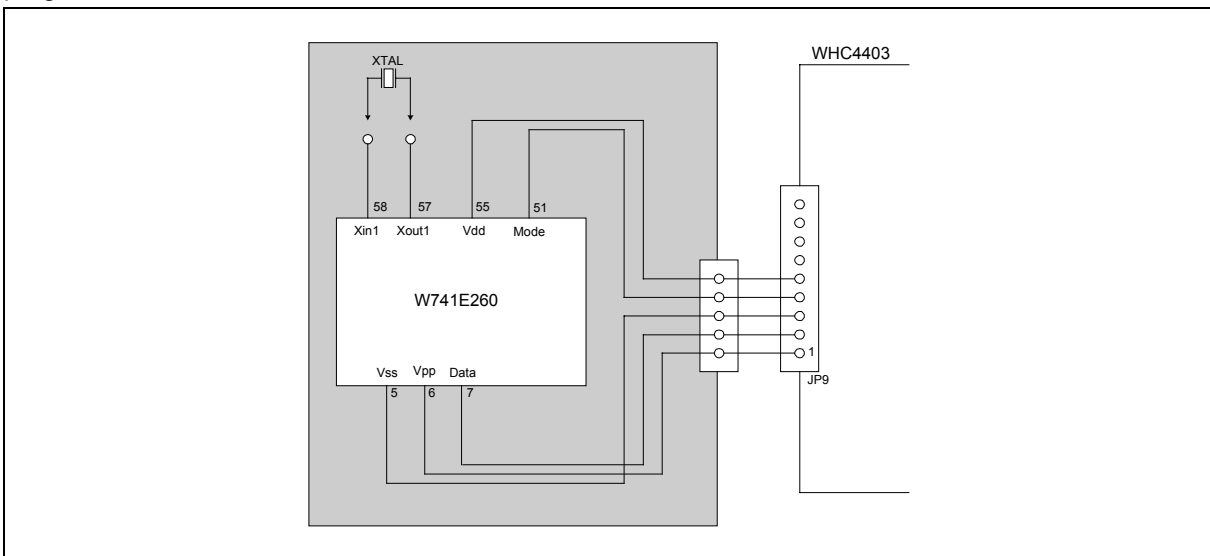


Figure 14. The W741E260 Program/Erase Configuration



ABSOLUTE MAXIMUM RATINGS

PARAMETER	RATING	UNIT
Supply Voltage to Ground Potential	-0.3 to +7.0	V
Applied Input/Output Voltage	-0.3 to +7.0	V
Power Dissipation	120	mW
Ambient Operating Temperature	0 to +70	°C
Storage Temperature	-55 to +150	°C

Note: Exposure to conditions beyond those listed under Absolute Maximum Ratings may adversely affect the life and reliability of the device.

DC CHARACTERISTICS

(V_{DD}-V_{SS} = 3.0V, F_m = 4.19 MHz, F_s = 32.768 KHz, T_a = 25° C, LCD on; unless otherwise specified)

PARAMETER	SYM.	CONDITIONS	MIN.	TYP.	MAX.	UNIT
Op. Voltage	V _{DD}	-	2.4	-	5.5	V
Op. Current (Crystal type)	IOP1	No load (Ext-V) In dual-clock normal operation	-	0.6	2.5	mA
Op. Current (RC type)	IOP2	No load (Ext-V) In dual-clock normal operation	-	1	4	mA
Op. Current (Crystal type)	IOP3	No load (Ext-V) In dual-clock slow operation and F _m is stopped	-	8.5	20	μA
Hold Current (Crystal type)	IHM1	Hold mode No load (Ext-V) In dual-clock normal operation	-	280	450	μA
Hold Current (RC type)	IHM2	Hold mode No load (Ext-V) In dual-clock normal operation	-	500	600	μA
Hold Current (Crystal type)	IHM3	Hold mode No load (Ext-V) In dual-clock slow operation and F _m is stopped	-	4.0	6	μA
Stop Current (Crystal type)	ISM1	Stop mode No load (Ext-V) In dual-clock normal operation	-	4.0	6	μA
Stop Current (Crystal type)	ISM2	Stop mode No load (Ext-V) In single-clock operation	-	0.1	2	μA
Input Low Voltage	V _{IL}	-	V _{SS}	-	0.3 V _{DD}	V



DC Characteristics, continued

PARAMETER	SYM.	CONDITIONS	MIN.	TYP.	MAX.	UNIT
Input High Voltage	V _{IH}	-	0.7 V _{DD}	-	V _{DD}	V
MFP Output Low Voltage	V _{ML}	I _{OL} = 3.5 mA	-	-	0.4	V
MFP Output High Voltage	V _{MH}	I _{OH} = 3.5 mA	2.4	-	-	V
Port RA, RB Output Low Voltage	V _{ABL}	I _{OL} = 2.0 mA	-	-	0.4	V
Port RA, RB Output high Voltage	V _{ABH}	I _{OH} = 2.0 mA	2.4	-	-	V
LCD Supply Current	I _{LCD}	All Seg. ON	-	-	6	μA
SEG0-SEG31 Sink Current (Used as LCD output)	I _{OL1}	V _{OL} = 0.4V V _{LCD} = 0.0V	0.4	-	-	μA
SEG0-SEG31 Drive Current (Used as LCD output)	I _{OH1}	V _{OH} = 2.4V V _{LCD} = 3.0V	0.3	-	-	μA
Segment output low voltage (Used as DC output)	V _{SL}	I _{OL} = 0.6 mA	-	-	0.4	V
Segment output high voltage (Used as DC output)	V _{SH}	I _{OH} = 3 μA	2.4	-	-	V
Port RE Sink Current	I _{EL}	V _{OL} = 0.9V	9	-	-	mA
Port RE Source Current	I _{EH}	V _{OH} = 2.4V	0.4	1.2	-	mA
Input Port Pull-up Resistor	R _{CD}	Port RC, RD	100	350	1000	KΩ
$\overline{\text{INT}}$ Pull-up Resistor	R _{INT}	-	50	250	1000	KΩ
$\overline{\text{RES}}$ Pull-up Resistor	R _{RES}	-	20	100	500	KΩ
VPP Pull-down Resistor	R _{VPP}	V _{DD} = 5V	1.5	2	2.5	MΩ
MODE Pull-down Resistor	R _{MODE}	V _{DD} = 5V	1.5	2	2.5	MΩ
DATA Pull-down Resistor	R _{DATA}	V _{DD} = 5V	50	100	150	KΩ

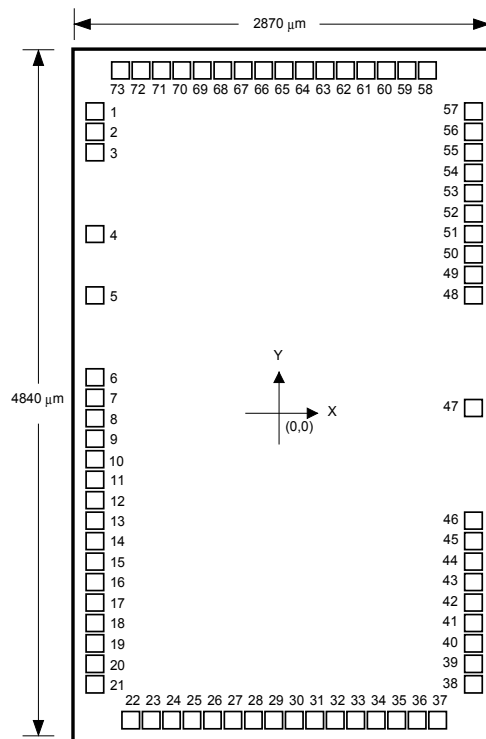


AC CHARACTERISTICS

(V_{DD}-V_{SS} = 3.0V, T_a = 25° C; unless otherwise specified)

PARAMETER	SYM.	CONDITIONS	MIN.	TYP.	MAX.	UNIT
Op. Frequency	F _{OSC}	RC type	-	-	4000	KHz
		Crystal type 1 (Option low speed type)	-	32.768	-	
		Crystal type 2 (Option high speed type)	400	-	4190	
Frequency Deviation by Voltage Drop for RC Oscillator	$\frac{\Delta f}{f}$	$\frac{f(3V) - f(2.4V)}{f(3V)}$	-	-	10	%
Instruction Cycle Time	T _I	One machine cycle	-	4/F _{OSC}	-	mS
Reset Active Width	T _{RAW}	F _{OSC} = 32.768 KHz	1	-	-	μS
Interrupt Active Width	T _{IAW}	F _{OSC} = 32.768 KHz	1	-	-	μS

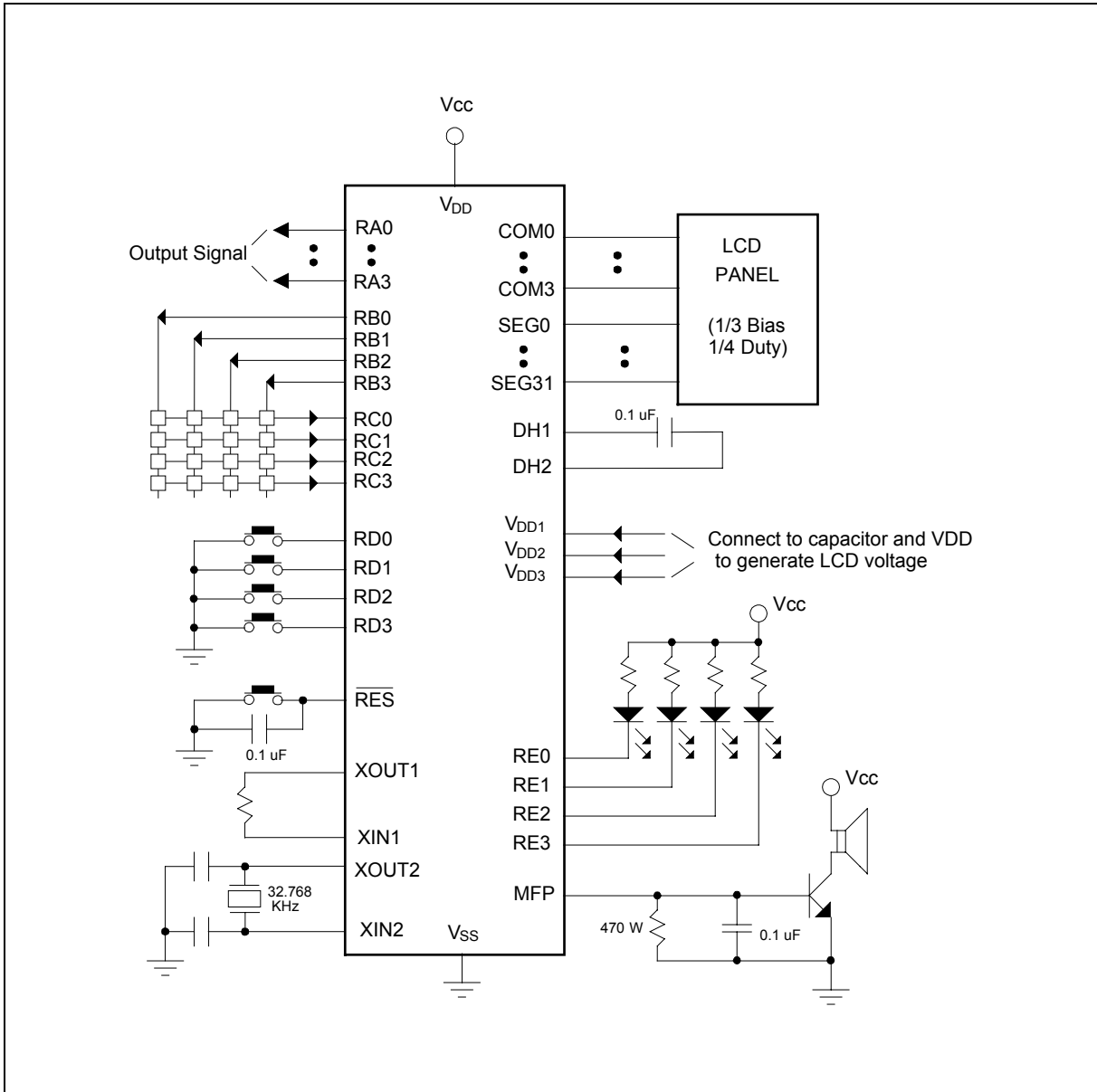
PAD ASSIGNMENT AND POSITIONS



Note: The chip substrate must be connected to system ground (V_{SS}).

PAD NO.	PAD NAME	X	Y	PAD NO.	PAD NAME	X	Y
1	RE2	-1227.80	1810.50	38	SEG28	1226.20	-1913.80
2	RE3	-1227.80	1680.50	39	SEG29	1226.20	-1783.80
3	VSS	-1227.80	1550.50	40	SEG30	1226.20	-1653.80
4	VPP	-1223.25	1079.40	41	SEG31	1226.20	-1523.80
5	DATA	-1234.80	656.85	42	VDD3	1226.20	-1393.80
6	COM3	-1227.80	36.20	43	VDD2	1226.20	-1263.80
7	COM2	-1227.80	-93.80	44	VDD1	1226.20	-1133.80
8	COM1	-1227.80	-223.80	45	DH2	1226.20	-1003.80
9	COM0	-1227.80	-353.80	46	DH1	1226.20	-873.80
10	SEG0	-1227.80	-483.80	47	MODE	1226.20	-112.50
11	SEG1	-1227.80	-613.80	48	XOUT2	1226.20	640.50
12	SEG2	-1227.80	-743.80	49	XIN2	1226.20	770.50
13	SEG3	-1227.80	-873.80	50	VDD	1226.20	900.50
14	SEG4	-1227.80	-1003.80	51	XOUT1	1226.20	1030.50
15	SEG5	-1227.80	-1133.80	52	XIN1	1226.20	1160.50
16	SEG6	-1227.80	-1263.80	53	$\overline{\text{RES}}$	1226.20	1290.50
17	SEG7	-1227.80	-1393.80	54	$\overline{\text{INT}}$	1226.20	1420.50
18	SEG8	-1227.80	-1523.80	55	MFP	1226.20	1550.50
19	SEG9	-1227.80	-1653.80	56	RA0	1226.20	1680.50
20	SEG10	-1227.80	-1783.80	57	RA1	1226.20	1810.50
21	SEG11	-1227.80	-1913.80	58	RA2	1040.30	2141.70
22	SEG12	-975.80	-2163.80	59	RA3	910.30	2141.70
23	SEG13	-845.80	-2163.80	60	RB0	780.30	2141.70
24	SEG14	-715.80	-2163.80	61	RB1	650.30	2141.70
25	SEG15	-585.80	-2163.80	62	RB2	520.30	2141.70
26	SEG16	-455.80	-2163.80	63	RB3	390.30	2141.70
27	SEG17	-325.80	-2163.80	64	RC0	260.30	2141.70
28	SEG18	-195.80	-2163.80	65	RC1	130.30	2141.70
29	SEG19	-65.80	-2163.80	66	RC2	0.30	2141.70
30	SEG20	64.20	-2163.80	67	RC3	-129.70	2141.70
31	SEG21	194.20	-2163.80	68	RD0	-259.70	2141.70
32	SEG22	324.20	-2163.80	69	RD1	-389.70	2141.70
33	SEG23	454.20	-2163.80	70	RD2	-519.70	2141.70
34	SEG24	584.20	-2163.80	71	RD3	-649.70	2141.70
35	SEG25	714.20	-2163.80	72	RE0	-779.70	2141.70
36	SEG26	844.20	-2163.80	73	RE1	-909.70	2141.70
37	SEG27	974.20	-2163.80				

TYPICAL APPLICATION CIRCUIT





INSTRUCTION SET TABLE

Symbol Description

ACC:	Accumulator
ACC.n:	Accumulator bit n
WR:	Working Register
PAGE:	Page Register
MR0:	Mode Register 0
MR1:	Mode Register 1
PM0:	Port Mode 0
PM1:	Port Mode 1
PM2:	Port Mode 2
PSR0:	Port Status Register 0
PSR1:	Port Status Register 1
R:	Memory (RAM) of address R
LCDR:	LCD data RAM of address LDR
R.n:	Memory bit n of address R
I:	Constant parameter
L:	Branch or jump address
CF:	Carry Flag
ZF:	Zero Flag
PC:	Program Counter
TM0L:	Low nibble of the Timer 0 counter
TM0H:	High nibble of the Timer 0 counter
TM1L:	Low nibble of the Timer 1 counter
TM1H:	High nibble of the Timer 1 counter
TABL:	Low nibble of the look-up table address buffer
TABH:	High nibble of the look-up table address buffer
IEF.n:	Interrupt Enable Flag n
HCF.n:	HOLD mode release Condition Flag n
HEF.n:	HOLD mode release Enable Flag n
SEF.n:	STOP mode wake-up Enable Flag n
PEF.n:	Port Enable Flag n
EVF.n:	Event Flag n
! =:	Not equal
&:	AND
^:	OR
EX:	Exclusive OR
←:	Transfer direction, result
[PAGE*10H+():]	Contents of address PAGE(bit2, bit1, bit0)*10H+()
[P():]	Contents of port P



INSTRUCTION SET TABLE 1

Mnemonic	Function	Flags Affected	Cycle
Arithmetic			
ADD R, ACC	$ACC \leftarrow (R) + (ACC)$	ZF, CF	1
ADD WR, #I	$ACC \leftarrow (WR) + I$	ZF, CF	1
ADDR R, ACC	$ACC, R \leftarrow (R) + (ACC)$	ZF, CF	1
ADDR WR, #I	$ACC, WR \leftarrow (WR) + I$	ZF, CF	1
ADC R, ACC	$ACC \leftarrow (R) + (ACC) + (CF)$	ZF, CF	1
ADC WR, #I	$ACC \leftarrow (WR) + I + (CF)$	ZF, CF	1
ADCR R, ACC	$ACC, R \leftarrow (R) + (ACC) + (CF)$	ZF, CF	1
ADCR WR, #I	$ACC, WR \leftarrow (WR) + I + (CF)$	ZF, CF	1
ADU R, ACC	$ACC \leftarrow (R) + (ACC)$	ZF	1
ADU WR, #I	$ACC \leftarrow (WR) + I$	ZF	1
ADUR R, ACC	$ACC, R \leftarrow (R) + (ACC)$	ZF	1
ADUR WR, #I	$ACC, W R \leftarrow (WR) + I$	ZF	1
SUB R, ACC	$ACC \leftarrow (R) - (ACC)$	ZF, CF	1
SUB WR, #I	$ACC \leftarrow (WR) - I$	ZF, CF	1
SUBR R, ACC	$ACC, R \leftarrow (R) - (ACC)$	ZF, CF	1
SUBR WR, #I	$ACC, WR \leftarrow (WR) - I$	ZF, CF	1
SBC R, ACC	$ACC \leftarrow (R) - (ACC) - (CF)$	ZF, CF	1
SBC WR, #I	$ACC \leftarrow (WR) - I - (CF)$	ZF, CF	1
SBCR R, ACC	$ACC, R \leftarrow (R) - (ACC) - (CF)$	ZF, CF	1
SBCR WR, #I	$ACC, WR \leftarrow (WR) - I - (CF)$	ZF, CF	1
INC R	$ACC, R \leftarrow (R) + 1$	ZF, CF	1
DEC R	$ACC, R \leftarrow (R) - 1$	ZF, CF	1



Instruction Set Table 1, continued

Mnemonic		Function	Flags Affected	Cycle
Logic Operations				
ANL	R, ACC	$ACC \leftarrow (R) \& (ACC)$	ZF	1
ANL	WR, #I	$ACC \leftarrow (WR) \& I$	ZF	1
ANLR	R, ACC	$ACC, R \leftarrow (R) \& (ACC)$	ZF	1
ANLR	W, R #I	$ACC, WR \leftarrow (WR) \& I$	ZF	1
ORL	R, ACC	$ACC \leftarrow (R) \wedge (ACC)$	ZF	1
ORL	WR, #I	$ACC \leftarrow (WR) \wedge I$	ZF	1
ORLR	R, ACC	$ACC, R \leftarrow (R) \wedge (ACC)$	ZF	1
ORLR	WR, #I	$ACC, WR \leftarrow (WR) \wedge I$	ZF	1
XRL	R, ACC	$ACC \leftarrow (R) \text{ EX } (ACC)$	ZF	1
XRL	WR, #I	$ACC \leftarrow (WR) \text{ EX } I$	ZF	1
XRLR	R, ACC	$ACC, R \leftarrow (R) \text{ EX } (ACC)$	ZF	1
XRLR	WR, #I	$ACC, WR \leftarrow (WR) \text{ EX } I$	ZF	1
Branch				
JMP	L	$PC_{10} \sim PC_0 \leftarrow L_{10} \sim L_0$		1
JB0	L	$PC_{10} \sim PC_0 \leftarrow L_{10} \sim L_0$; if $ACC.0 = "1"$		1
JB1	L	$PC_{10} \sim PC_0 \leftarrow L_{10} \sim L_0$; if $ACC.1 = "1"$		1
JB2	L	$PC_{10} \sim PC_0 \leftarrow L_{10} \sim L_0$; if $ACC.2 = "1"$		1
JB3	L	$PC_{10} \sim PC_0 \leftarrow L_{10} \sim L_0$; if $ACC.3 = "1"$		1
JZ	L	$PC_{10} \sim PC_0 \leftarrow L_{10} \sim L_0$; if $ACC = 0$		1
JNZ	L	$PC_{10} \sim PC_0 \leftarrow L_{10} \sim L_0$; if $ACC \neq 0$		1
JC	L	$PC_{10} \sim PC_0 \leftarrow L_{10} \sim L_0$; if $CF = "1"$		1
JNC	L	$PC_{10} \sim PC_0 \leftarrow L_{10} \sim L_0$; if $CF \neq "1"$		1
DSKZ	R	$ACC, R \leftarrow (R) - 1$; skip if $ACC = 0$	ZF, CF	1
DSKNZ	R	$ACC, R \leftarrow (R) - 1$; skip if $ACC \neq 0$	ZF, CF	1
SKB0	R	Skip if $R.0 = "1"$		1
SKB1	R	Skip if $R.1 = "1"$		1
SKB2	R	Skip if $R.2 = "1"$		1
SKB3	R	Skip if $R.3 = "1"$		1



Instruction Set Table 1, continued

Mnemonic	Function	Flag Affected	Cycle
Data Move			
MOV WR, R	$WR \leftarrow (R)$		1
MOV R, WR	$R \leftarrow (WR)$		1
MOVA WR, R	ACC, $WR \leftarrow (R)$	ZF	1
MOVA R, WR	ACC, $R \leftarrow (WR)$	ZF	1
MOV R, ACC	$R \leftarrow (ACC)$		1
MOV ACC, R	$ACC \leftarrow (R)$	ZF	1
MOV R, #I	$R \leftarrow I$		1
MOV WR, @R	$WR \leftarrow [PR(\text{bit}2, \text{bit}1, \text{bit}0) \times 10H + (R)]$		2
MOV @R, WR	$[PR(\text{bit}2, \text{bit}1, \text{bit}0) \times 10H + (R)] \leftarrow WR$		2
MOV TABL, R	$TABL \leftarrow (R)$		1
MOV TABH, R	$TABH \leftarrow (R)$		1
MOVC R	$R \leftarrow [(TABH) \times 10H + (TABL)]$		2
MOVC WR, #I	$WR \leftarrow [(I6 \sim I0) \times 10H + (ACC)]$		2
Input & Output			
MOVA R, RA	ACC, $R \leftarrow [RA]$	ZF	1
MOVA R, RB	ACC, $R \leftarrow [RB]$	ZF	1
MOVA R, RC	ACC, $R \leftarrow [RC]$	ZF	1
MOVA R, RD	ACC, $R \leftarrow [RD]$	ZF	1
MOV RA, R	$[RA] \leftarrow (R)$		1
MOV RB, R	$[RB] \leftarrow (R)$		1
MOV RE, R	$[RE] \leftarrow (R)$		1
MOV MFP, #I	$[MFP] \leftarrow I$		1
Flag & Register			
MOVA R, PAGE	ACC, $R \leftarrow \text{PAGE}$ (Page Register)	ZF	1
MOV PAGE, R	$\text{PAGE} \leftarrow (R)$		1
MOV MR0, #I	$MR0 \leftarrow I$		1
MOV MR1, #I	$MR1 \leftarrow I$		1
MOV PAGE, #I	$\text{PAGE} \leftarrow I$		1
MOVA R, CF	ACC.0, $R.0 \leftarrow CF$	ZF	1
MOV CF, R	$CF \leftarrow (R.0)$	CF	1
MOVA R, HCF0	ACC, $R \leftarrow \text{HCF}0 \sim \text{HCF}3$	ZF	1
MOVA R, HCF4	ACC, $R \leftarrow \text{HCF}4 \sim \text{HCF}7$	ZF	1



Instruction Set Table 1, continued

Mnemonic		Function	Flags Affected	Cycle
CLR	PMF, #I	Clear Parameter Flag if In = 1		1 NOTE 2
SET	PMF, #I	Set Parameter Flag if In = 1		1 NOTE 2
MOV	PM0, #I	Port Mode 0 ← I		1
MOV	PM1, #I	Port Mode 1 ← I		1
MOV	PM2, #I	Port Mode 2 ← I		1
CLR	EVF, #I	Clear Event Flag if In = 1		1
MOV	PEF, #I	Set/Reset Port Enable Flag		1
MOV	IEF, #I	Set/Reset Interrupt Enable Flag		1
MOV	HEF, #I	Set/Reset HOLD mode release Enable Flag		1
MOV	SEF, #I	Set/Reset STOP mode wake-up Enable Flag for RC port		1
MOV	SCR, #I	SCR ← I		1 NOTE 1
MOVA	R, PSR0	ACC, R ← Port Status Register 0	ZF	1
CLR	PSR0	Clear Port Status Register 0		1
SET	CF	Set Carry Flag	CF	1
CLR	CF	Clear Carry Flag	CF	1
CLR	DIVR0	Clear the last 4-bit of the Divider 0		1
CLR	DIVR1	Clear the last 4-bit of the Divider 1		1 NOTE 1
CLR	WDT	Clear WatchDog Timer		1
Shift & Rotate				
SHRC	R	ACC.n, R.n ← (R.n+1); ACC.3, R.3 ← 0; CF ← R.0	ZF, CF	1
RRC	R	ACC.n, R.n ← (R.n+1); ACC.3, R.3 ← CF; CF ← R.0	ZF, CF	1
SHLC	R	ACC.n, R.n ← (R.n-1); ACC.0, R.0 ← 0; CF ← R.3	ZF, CF	1
RLC	R	ACC.n, R.n ← (R.n-1); ACC.0, R.0 ← CF; CF ← R.3	ZF, CF	1



Instruction Set Table 1, continued

Mnemonic	Function	Flag Affected	Cycle
LCD			
MOV LCDR, #I	LCDR ← I		1
MOV WR, LCDR	WR ← (LCDR)		1
MOV LCDR, WR	LCDR ← (WR)		1
MOV LCDR, ACC	LCDR ← (ACC)		1
MOV LCDM, #I	Select LCD output mode type		1
LCDON	LCD ON		1
LCDOFF	LCD OFF		1
Timer			
MOV TM0L, R	TM0L ← (R)		1
MOV TM0H, R	TM0H ← (R)		1
MOV TM0, #I	Timer 0 set		1
MOV TM1L, R	TM1L ← (R)		1
MOV TM1H, R	TM1H ← (R)		1
MOV TM1, #I	Timer 1 set		1
Subroutine			
CALL L	STACK ← (PC)+1; PC10 ~ PC0 ← L10 ~ L0		1
RTN	(PC) ← STACK		1
Other			
HOLD	Enter Hold mode		1
STOP	Enter Stop mode		1
NOP	No Operation		1
EN INT	Enable Interrupt Function		1
DIS INT	Disable Interrupt Function		1

Note:

1. These instructions are available in W741C260 body, but inhibited in W741C250 body.
2. The bit0, bit1 and bit2 of PMF are reserved in W741C250 and W741C260 body.



INSTRUCTION SET TABLE 2

ADC R, ACC	Add R to ACC with CF																
Machine Code:	<table border="1"> <tr> <td>0</td><td>0</td><td>0</td><td>0</td><td>1</td><td>0</td><td>0</td><td>0</td> </tr> </table> <table border="1"> <tr> <td>0</td><td>R6</td><td>R5</td><td>R4</td><td>R3</td><td>R2</td><td>R1</td><td>R0</td> </tr> </table>	0	0	0	0	1	0	0	0	0	R6	R5	R4	R3	R2	R1	R0
0	0	0	0	1	0	0	0										
0	R6	R5	R4	R3	R2	R1	R0										
Machine Cycle:	1																
Operation:	$ACC \leftarrow (R) + (ACC) + (CF)$																
Description:	The contents of the data memory location addressed by R6 to R0, ACC, and CF are binary added and the result is loaded into the ACC.																
Flag Affected:	CF & ZF																
ADC WR, #	Add immediate data to WR with CF																
Machine Code:	<table border="1"> <tr> <td>0</td><td>0</td><td>0</td><td>0</td><td>1</td><td>1</td><td>0</td><td>0</td> </tr> </table> <table border="1"> <tr> <td>I3</td><td>I2</td><td>I1</td><td>I0</td><td>W3</td><td>W2</td><td>W1</td><td>W0</td> </tr> </table>	0	0	0	0	1	1	0	0	I3	I2	I1	I0	W3	W2	W1	W0
0	0	0	0	1	1	0	0										
I3	I2	I1	I0	W3	W2	W1	W0										
Machine Cycle:	1																
Operation:	$ACC \leftarrow (WR) + I + (CF)$																
Description:	The contents of the Working Register (WR), I and CF are binary added and the result is loaded into the ACC.																
Flag Affected:	CF & ZF																
ADCR R, ACC	Add R to ACC with CF																
Machine Code:	<table border="1"> <tr> <td>0</td><td>0</td><td>0</td><td>0</td><td>1</td><td>0</td><td>0</td><td>1</td> </tr> </table> <table border="1"> <tr> <td>0</td><td>R6</td><td>R5</td><td>R4</td><td>R3</td><td>R2</td><td>R1</td><td>R0</td> </tr> </table>	0	0	0	0	1	0	0	1	0	R6	R5	R4	R3	R2	R1	R0
0	0	0	0	1	0	0	1										
0	R6	R5	R4	R3	R2	R1	R0										
Machine Cycle:	1																
Operation:	$ACC, R \leftarrow (R) + (ACC) + (CF)$																
Description:	The contents of the data memory location addressed by R6 to R0, ACC, and CF are binary added and the result is placed in the ACC and the data memory.																
Flag Affected:	CF & ZF																



Instruction Set Table 2, continued

ADCR WR, #I	Add immediate data to WR with CF		
Machine Code:	<table border="1"><tr><td>0 0 0 0 1 1 0 1</td><td>I3 I2 I1 I0 W3 W2 W1 W0</td></tr></table>	0 0 0 0 1 1 0 1	I3 I2 I1 I0 W3 W2 W1 W0
0 0 0 0 1 1 0 1	I3 I2 I1 I0 W3 W2 W1 W0		
Machine Cycle:	1		
Operation:	$ACC, WR \leftarrow (WR) + I + (CF)$		
Description:	The contents of the Working Register (WR), I, CF are binary added and the result is placed in the ACC and the WR.		
Flag Affected:	CF & ZF		
ADD R, ACC	Add R to ACC		
Machine Code:	<table border="1"><tr><td>0 0 0 1 1 0 0 0</td><td>0 R6 R5 R4 R3 R2 R1 R0</td></tr></table>	0 0 0 1 1 0 0 0	0 R6 R5 R4 R3 R2 R1 R0
0 0 0 1 1 0 0 0	0 R6 R5 R4 R3 R2 R1 R0		
Machine Cycle:	1		
Operation:	$ACC \leftarrow (R) + (ACC)$		
Description:	The contents of the data memory location addressed by R6 to R0 and ACC are binary added and the result is loaded into the ACC.		
Flag Affected:	CF & ZF		
ADD WR, #I	Add immediate data to WR		
Machine Code:	<table border="1"><tr><td>0 0 0 1 1 1 0 0</td><td>I3 I2 I1 I0 W3 W2 W1 W0</td></tr></table>	0 0 0 1 1 1 0 0	I3 I2 I1 I0 W3 W2 W1 W0
0 0 0 1 1 1 0 0	I3 I2 I1 I0 W3 W2 W1 W0		
Machine Cycle:	1		
Operation:	$ACC \leftarrow (WR) + I$		
Description:	The contents of the Working Register (WR) and the immediate data I are binary added and the result is loaded into the ACC.		
Flag Affected:	CF & ZF		



Instruction Set Table 2, continued

ADDR R, ACC	Add R to ACC																
Machine Code:	<table border="1" style="display: inline-table; vertical-align: middle;"><tr><td>0</td><td>0</td><td>0</td><td>1</td><td>1</td><td>0</td><td>0</td><td>1</td></tr></table> <table border="1" style="display: inline-table; vertical-align: middle;"><tr><td>0</td><td>R6</td><td>R5</td><td>R4</td><td>R3</td><td>R2</td><td>R1</td><td>R0</td></tr></table>	0	0	0	1	1	0	0	1	0	R6	R5	R4	R3	R2	R1	R0
0	0	0	1	1	0	0	1										
0	R6	R5	R4	R3	R2	R1	R0										
Machine Cycle:	1																
Operation:	$ACC, R \leftarrow (R) + (ACC)$																
Description:	The contents of the data memory location addressed by R6 to R0 and ACC are binary added and the result is placed in the ACC and the data memory.																
Flag Affected:	CF & ZF																
ADDR WR, #I	Add immediate data to WR																
Machine Code:	<table border="1" style="display: inline-table; vertical-align: middle;"><tr><td>0</td><td>0</td><td>0</td><td>1</td><td>1</td><td>1</td><td>0</td><td>1</td></tr></table> <table border="1" style="display: inline-table; vertical-align: middle;"><tr><td>I3</td><td>I2</td><td>I1</td><td>I0</td><td>W3</td><td>W2</td><td>W1</td><td>W0</td></tr></table>	0	0	0	1	1	1	0	1	I3	I2	I1	I0	W3	W2	W1	W0
0	0	0	1	1	1	0	1										
I3	I2	I1	I0	W3	W2	W1	W0										
Machine Cycle:	1																
Operation:	$ACC, WR \leftarrow (WR) + I$																
Description:	The contents of the Working Register (WR) and the immediate data I are binary added and the result is placed in the ACC and the WR.																
Flag Affected:	CF & ZF																
ADU R, ACC	Add R to ACC and Carry Flag unchange																
Machine Code:	<table border="1" style="display: inline-table; vertical-align: middle;"><tr><td>0</td><td>0</td><td>1</td><td>0</td><td>1</td><td>0</td><td>0</td><td>0</td></tr></table> <table border="1" style="display: inline-table; vertical-align: middle;"><tr><td>0</td><td>R6</td><td>R5</td><td>R4</td><td>R3</td><td>R2</td><td>R1</td><td>R0</td></tr></table>	0	0	1	0	1	0	0	0	0	R6	R5	R4	R3	R2	R1	R0
0	0	1	0	1	0	0	0										
0	R6	R5	R4	R3	R2	R1	R0										
Machine Cycle:	1																
Operation:	$ACC \leftarrow (R) + (ACC)$																
Description:	The contents of the data memory location addressed by R6 to R0 and ACC are binary added and the result is loaded into the ACC.																
Flag Affected:	ZF																



Instruction Set Table 2, continued

ADU	WR, #I	Add immediate data to WR and Carry Flag unchange																
Machine Code:	<table border="1" style="display: inline-table; vertical-align: middle;"><tr><td>0</td><td>0</td><td>1</td><td>0</td><td>1</td><td>1</td><td>0</td><td>0</td></tr></table> <table border="1" style="display: inline-table; vertical-align: middle;"><tr><td>I3</td><td>I2</td><td>I1</td><td>I0</td><td>W3</td><td>W2</td><td>W1</td><td>W0</td></tr></table>	0	0	1	0	1	1	0	0	I3	I2	I1	I0	W3	W2	W1	W0	
0	0	1	0	1	1	0	0											
I3	I2	I1	I0	W3	W2	W1	W0											
Machine Cycle:	1																	
Operation:	$ACC \leftarrow (WR) + I$																	
Description:	The contents of the Working Register (WR) and the immediate data I are binary added and the result is loaded into the ACC.																	
Flag Affected:	ZF																	
ADUR	R, ACC	Add R to ACC and Carry Flag unchange																
Machine Code:	<table border="1" style="display: inline-table; vertical-align: middle;"><tr><td>0</td><td>0</td><td>1</td><td>0</td><td>1</td><td>0</td><td>0</td><td>1</td></tr></table> <table border="1" style="display: inline-table; vertical-align: middle;"><tr><td>0</td><td>R6</td><td>R5</td><td>R4</td><td>R3</td><td>R2</td><td>R1</td><td>R0</td></tr></table>	0	0	1	0	1	0	0	1	0	R6	R5	R4	R3	R2	R1	R0	
0	0	1	0	1	0	0	1											
0	R6	R5	R4	R3	R2	R1	R0											
Machine Cycle:	1																	
Operation:	$ACC, R \leftarrow (R) + (ACC)$																	
Description:	The contents of the data memory location addressed by R6 to R0 and ACC are binary added and the result is placed in the ACC and the data memory.																	
Flag Affected:	ZF																	
ADUR	WR, #I	Add immediate data to WR and Carry Flag unchange																
Machine Code:	<table border="1" style="display: inline-table; vertical-align: middle;"><tr><td>0</td><td>0</td><td>1</td><td>0</td><td>1</td><td>1</td><td>0</td><td>1</td></tr></table> <table border="1" style="display: inline-table; vertical-align: middle;"><tr><td>I3</td><td>I2</td><td>I1</td><td>I0</td><td>W3</td><td>W2</td><td>W1</td><td>W0</td></tr></table>	0	0	1	0	1	1	0	1	I3	I2	I1	I0	W3	W2	W1	W0	
0	0	1	0	1	1	0	1											
I3	I2	I1	I0	W3	W2	W1	W0											
Machine Cycle:	1																	
Operation:	$ACC, WR \leftarrow (WR) + I$																	
Description:	The contents of the Working Register (WR) and the immediate data I are binary added and the result is placed in the WR and the ACC.																	
Flag Affected:	ZF																	



Instruction Set Table 2, continued

ANL R, ACC	And R to ACC																
Machine Code:	<table border="1" style="display: inline-table; vertical-align: middle;"><tr><td>0</td><td>0</td><td>1</td><td>0</td><td>1</td><td>0</td><td>1</td><td>0</td></tr></table> <table border="1" style="display: inline-table; vertical-align: middle;"><tr><td>0</td><td>R6</td><td>R5</td><td>R4</td><td>R3</td><td>R2</td><td>R1</td><td>R0</td></tr></table>	0	0	1	0	1	0	1	0	0	R6	R5	R4	R3	R2	R1	R0
0	0	1	0	1	0	1	0										
0	R6	R5	R4	R3	R2	R1	R0										
Machine Cycle:	1																
Operation:	$ACC \leftarrow (R) \& (ACC)$																
Description:	The contents of the data memory location addressed by R6 to R0 and the ACC are ANDed and the result is loaded into the ACC.																
Flag Affected:	ZF																
ANL WR, #I	And immediate data to WR																
Machine Code:	<table border="1" style="display: inline-table; vertical-align: middle;"><tr><td>0</td><td>0</td><td>1</td><td>0</td><td>1</td><td>1</td><td>1</td><td>0</td></tr></table> <table border="1" style="display: inline-table; vertical-align: middle;"><tr><td>I3</td><td>I2</td><td>I1</td><td>I0</td><td>W3</td><td>W2</td><td>W1</td><td>W0</td></tr></table>	0	0	1	0	1	1	1	0	I3	I2	I1	I0	W3	W2	W1	W0
0	0	1	0	1	1	1	0										
I3	I2	I1	I0	W3	W2	W1	W0										
Machine Cycle:	1																
Operation:	$ACC \leftarrow (WR) \& I$																
Description:	The contents of the Working Register (WR) and the immediate data I are ANDed and the result is loaded into the ACC.																
Flag Affected:	ZF																
ANLR R, ACC	And R to ACC																
Machine Code:	<table border="1" style="display: inline-table; vertical-align: middle;"><tr><td>0</td><td>0</td><td>1</td><td>0</td><td>1</td><td>0</td><td>1</td><td>1</td></tr></table> <table border="1" style="display: inline-table; vertical-align: middle;"><tr><td>0</td><td>R6</td><td>R5</td><td>R4</td><td>R3</td><td>R2</td><td>R1</td><td>R0</td></tr></table>	0	0	1	0	1	0	1	1	0	R6	R5	R4	R3	R2	R1	R0
0	0	1	0	1	0	1	1										
0	R6	R5	R4	R3	R2	R1	R0										
Machine Cycle:	1																
Operation:	$ACC, R \leftarrow (R) \& (ACC)$																
Description:	The contents of the data memory location addressed by R6 to R0 and the ACC are ANDed and the result is placed in the data memory and the ACC.																
Flag Affected:	ZF																



Instruction Set Table 2, continued

ANLR WR, #I	And immediate data to WR		
<p>Machine Code:</p> <p>Machine Cycle:</p> <p>Operation:</p> <p>Description:</p> <p>Flag Affected:</p>	<table border="1" style="width: 100%; border-collapse: collapse;"> <tr> <td style="text-align: center;">0 0 1 0 1 1 1 1</td> <td style="text-align: center;">I3 I2 I1 I0 W3 W2 W1 W0</td> </tr> </table> <p>1</p> <p>ACC, WR ← (WR) & I</p> <p>The contents of the Working Register (WR) and the immediate data I are ANDed and the result is placed in the WR and the ACC.</p> <p>ZF</p>	0 0 1 0 1 1 1 1	I3 I2 I1 I0 W3 W2 W1 W0
0 0 1 0 1 1 1 1	I3 I2 I1 I0 W3 W2 W1 W0		
CALL L	Call subroutine		
<p>Machine Code:</p> <p>Machine Cycle:</p> <p>Operation:</p> <p>Description:</p>	<table border="1" style="width: 100%; border-collapse: collapse;"> <tr> <td style="text-align: center;">0 1 1 0 0 L10 L9 L8</td> <td style="text-align: center;">L7 L6 L5 L4 L3 L2 L1 L0</td> </tr> </table> <p>1</p> <p>STACK ← (PC)+1; PC10 ~ PC0 ← L10 ~ L0</p> <p>The next program counter (PC10 to PC0) is saved in the STACK and then the direct address (L10 to L0) is loaded into the program counter. A subroutine is called.</p>	0 1 1 0 0 L10 L9 L8	L7 L6 L5 L4 L3 L2 L1 L0
0 1 1 0 0 L10 L9 L8	L7 L6 L5 L4 L3 L2 L1 L0		
CLR CF	Clear CF		
<p>Machine Code:</p> <p>Machine Cycle:</p> <p>Operation:</p> <p>Description:</p> <p>Flag Affected:</p>	<table border="1" style="width: 100%; border-collapse: collapse;"> <tr> <td style="text-align: center;">0 1 0 1 0 0 0 0</td> <td style="text-align: center;">0 0 0 0 0 0 0 0</td> </tr> </table> <p>1</p> <p>Clear CF</p> <p>Clear Carry Flag to 0.</p> <p>CF</p>	0 1 0 1 0 0 0 0	0 0 0 0 0 0 0 0
0 1 0 1 0 0 0 0	0 0 0 0 0 0 0 0		



Instruction Set Table 2, continued

CLR	DIVR0	Reset the last 4 bits of the DIVideR 0		
Machine Code:		<table border="1"> <tr> <td>0 0 0 1 0 1 1 1</td> <td>0 0 0 0 0 0 0 0</td> </tr> </table>	0 0 0 1 0 1 1 1	0 0 0 0 0 0 0 0
0 0 0 1 0 1 1 1	0 0 0 0 0 0 0 0			
Machine Cycle:		1		
Operation:		Reset the last 4 bits of the divider 0		
Description:		When this instruction is executed, the last 4 bits of the divider 0 (14 bits) are reset.		
CLR	DIVR1	Reset the last 4 bits of the DIVideR 1		
Machine Code:		<table border="1"> <tr> <td>0 1 0 1 0 1 0 1</td> <td>1 0 0 0 0 0 0 0</td> </tr> </table>	0 1 0 1 0 1 0 1	1 0 0 0 0 0 0 0
0 1 0 1 0 1 0 1	1 0 0 0 0 0 0 0			
Machine Cycle:		1		
Operation:		Reset the last 4 bits of the divider 1		
Description:		When this instruction is executed, the last 4 bits of the divider 1 (14 bits) are reset. This instruction is available in W741C260 body, but it is inhibited in W741C250 body.		
CLR	PMF, #I	Clear ParaMeter Flag		
Machine Code:		<table border="1"> <tr> <td>0 0 0 1 0 1 1 0</td> <td>1 0 0 0 I3 I2 I1 I0</td> </tr> </table>	0 0 0 1 0 1 1 0	1 0 0 0 I3 I2 I1 I0
0 0 0 1 0 1 1 0	1 0 0 0 I3 I2 I1 I0			
Machine Cycle:		1		
Operation:		Clear Parameter Flag		
Description:		Description of each flag: I0, I1, I2 : Reserved I3 = 1 : The input clock of the watchdog timer is Fosc/1024.		



Instruction Set Table 2, continued

CLR	EVF, #I	Clear Event Flag																
Machine Code:		<table border="1"> <tr> <td>0</td><td>1</td><td>0</td><td>0</td><td>0</td><td>0</td><td>0</td><td>0</td> <td>17</td><td>16</td><td>15</td><td>14</td><td>13</td><td>12</td><td>11</td><td>10</td> </tr> </table>	0	1	0	0	0	0	0	0	17	16	15	14	13	12	11	10
0	1	0	0	0	0	0	0	17	16	15	14	13	12	11	10			
Machine Cycle:		1																
Operation:		Clear event flag																
Description:		<p>The condition corresponding to the data specified by I7 to I0 is controlled.</p> <table border="1"> <tr> <td>I0~I7</td> <td>Mode after execution of instruction</td> </tr> <tr> <td>I0 = 1</td> <td>EVF0 caused by overflow from the divider 0 is reset.</td> </tr> <tr> <td>I1 = 1</td> <td>EVF1 caused by underflow from the timer 0 is reset.</td> </tr> <tr> <td>I2 = 1</td> <td>EVF2 caused by the signal change at port RC is reset.</td> </tr> <tr> <td>I3</td> <td>Reserved</td> </tr> <tr> <td>I4 = 1</td> <td>EVF4 caused by overflow from the divider 1 is reset for W741C260 body; EVF4 caused by the falling edge signal on INT pin is reset for W741C250 body.</td> </tr> <tr> <td>I5 & I6</td> <td>Reserved</td> </tr> <tr> <td>I7 = 1</td> <td>EVF7 caused by underflow from the timer 1 is reset.</td> </tr> </table>	I0~I7	Mode after execution of instruction	I0 = 1	EVF0 caused by overflow from the divider 0 is reset.	I1 = 1	EVF1 caused by underflow from the timer 0 is reset.	I2 = 1	EVF2 caused by the signal change at port RC is reset.	I3	Reserved	I4 = 1	EVF4 caused by overflow from the divider 1 is reset for W741C260 body; EVF4 caused by the falling edge signal on INT pin is reset for W741C250 body.	I5 & I6	Reserved	I7 = 1	EVF7 caused by underflow from the timer 1 is reset.
I0~I7	Mode after execution of instruction																	
I0 = 1	EVF0 caused by overflow from the divider 0 is reset.																	
I1 = 1	EVF1 caused by underflow from the timer 0 is reset.																	
I2 = 1	EVF2 caused by the signal change at port RC is reset.																	
I3	Reserved																	
I4 = 1	EVF4 caused by overflow from the divider 1 is reset for W741C260 body; EVF4 caused by the falling edge signal on INT pin is reset for W741C250 body.																	
I5 & I6	Reserved																	
I7 = 1	EVF7 caused by underflow from the timer 1 is reset.																	
CLR	PSR0	Clear Port Status Register 0 (RC port signal change flag)																
Machine Code:		<table border="1"> <tr> <td>0</td><td>1</td><td>0</td><td>0</td><td>0</td><td>0</td><td>1</td><td>0</td> <td>0</td><td>0</td><td>0</td><td>0</td><td>0</td><td>0</td><td>0</td><td>0</td> </tr> </table>	0	1	0	0	0	0	1	0	0	0	0	0	0	0	0	0
0	1	0	0	0	0	1	0	0	0	0	0	0	0	0	0			
Machine Cycle:		1																
Operation:		Clear Port Status Register 0 (RC port signal change flag)																
Description:		When this instruction is executed, the RC port signal change flag (PSR0) is cleared.																
CLR	WDT	Reset the last 4 bits of the WatchDog Timer																
Machine Code:		<table border="1"> <tr> <td>0</td><td>0</td><td>0</td><td>1</td><td>0</td><td>1</td><td>1</td><td>1</td> <td>1</td><td>0</td><td>0</td><td>0</td><td>0</td><td>0</td><td>0</td><td>0</td> </tr> </table>	0	0	0	1	0	1	1	1	1	0	0	0	0	0	0	0
0	0	0	1	0	1	1	1	1	0	0	0	0	0	0	0			
Machine Cycle:		1																
Operation:		Reset the last 4 bits of the watchdog timer																
Description:		When this instruction is executed, the last 4 bits of the watchdog timer are reset.																



Instruction Set Table 2, continued

DEC R	Decrement R content																
Machine Code:	<table border="1" style="display: inline-table; margin-right: 20px;"> <tr> <td>0</td><td>1</td><td>0</td><td>0</td><td>1</td><td>0</td><td>1</td><td>0</td> </tr> </table> <table border="1" style="display: inline-table;"> <tr> <td>1</td><td>R6</td><td>R5</td><td>R4</td><td>R3</td><td>R2</td><td>R1</td><td>R0</td> </tr> </table>	0	1	0	0	1	0	1	0	1	R6	R5	R4	R3	R2	R1	R0
0	1	0	0	1	0	1	0										
1	R6	R5	R4	R3	R2	R1	R0										
Machine Cycle:	1																
Operation:	$ACC, R \leftarrow (R) - 1$																
Description:	Decrement the data memory content and load result into the ACC and the data memory.																
Flag Affected:	CF & ZF																
DIS INT	Disable Interrupt function																
Machine Code:	<table border="1" style="display: inline-table; margin-right: 20px;"> <tr> <td>0</td><td>1</td><td>0</td><td>1</td><td>0</td><td>0</td><td>0</td><td>0</td> </tr> </table> <table border="1" style="display: inline-table;"> <tr> <td>1</td><td>0</td><td>0</td><td>0</td><td>0</td><td>0</td><td>0</td><td>0</td> </tr> </table>	0	1	0	1	0	0	0	0	1	0	0	0	0	0	0	0
0	1	0	1	0	0	0	0										
1	0	0	0	0	0	0	0										
Machine Cycle:	1																
Operation:	Disable interrupt function																
Description:	Interrupt function is inhibited by executing this instruction.																
DSKNZ R	Decrement R content then skip if ACC != 0																
Machine Code:	<table border="1" style="display: inline-table; margin-right: 20px;"> <tr> <td>0</td><td>1</td><td>0</td><td>0</td><td>1</td><td>0</td><td>0</td><td>0</td> </tr> </table> <table border="1" style="display: inline-table;"> <tr> <td>1</td><td>R6</td><td>R5</td><td>R4</td><td>R3</td><td>R2</td><td>R1</td><td>R0</td> </tr> </table>	0	1	0	0	1	0	0	0	1	R6	R5	R4	R3	R2	R1	R0
0	1	0	0	1	0	0	0										
1	R6	R5	R4	R3	R2	R1	R0										
Machine Cycle:	1																
Operation:	$ACC, R \leftarrow (R) - 1;$ $PC \leftarrow (PC) + 2$ if $ACC \neq 0$																
Description:	Decrement the data memory content and load result into the ACC and the data memory. If $ACC \neq 0$, the program counter is incremented by 2 and produces a skip.																
Flag Affected:	CF & ZF																



Instruction Set Table 2, continued

DSKZ R	Decrement R content then skip if ACC is zero																
Machine Code:	<table border="1" style="display: inline-table; margin-right: 20px;"> <tr> <td>0</td><td>1</td><td>0</td><td>0</td><td>1</td><td>0</td><td>0</td><td>0</td> </tr> </table> <table border="1" style="display: inline-table;"> <tr> <td>0</td><td>R6</td><td>R5</td><td>R4</td><td>R3</td><td>R2</td><td>R1</td><td>R0</td> </tr> </table>	0	1	0	0	1	0	0	0	0	R6	R5	R4	R3	R2	R1	R0
0	1	0	0	1	0	0	0										
0	R6	R5	R4	R3	R2	R1	R0										
Machine Cycle:	1																
Operation:	ACC, R ← (R) - 1; PC ← (PC) + 2 if ACC = 0																
Description:	Decrement the data memory content and load result into the ACC and the data memory. If ACC = 0, the program counter is incremented by 2 and produces a skip.																
Flag Affected:	CF & ZF																
EN INT	Enable Interrupt function																
Machine Code:	<table border="1" style="display: inline-table; margin-right: 20px;"> <tr> <td>0</td><td>1</td><td>0</td><td>1</td><td>0</td><td>0</td><td>0</td><td>0</td> </tr> </table> <table border="1" style="display: inline-table;"> <tr> <td>1</td><td>1</td><td>0</td><td>0</td><td>0</td><td>0</td><td>0</td><td>0</td> </tr> </table>	0	1	0	1	0	0	0	0	1	1	0	0	0	0	0	0
0	1	0	1	0	0	0	0										
1	1	0	0	0	0	0	0										
Machine Cycle:	1																
Operation:	Enable interrupt function																
Description:	This instruction enables the interrupt function.																
HOLD	Enter the HOLD mode																
Machine Code:	<table border="1" style="display: inline-table; margin-right: 20px;"> <tr> <td>0</td><td>0</td><td>0</td><td>0</td><td>0</td><td>0</td><td>0</td><td>0</td> </tr> </table> <table border="1" style="display: inline-table;"> <tr> <td>1</td><td>0</td><td>0</td><td>0</td><td>0</td><td>0</td><td>0</td><td>0</td> </tr> </table>	0	0	0	0	0	0	0	0	1	0	0	0	0	0	0	0
0	0	0	0	0	0	0	0										
1	0	0	0	0	0	0	0										
Machine Cycle:	1																
Operation:	Enter the HOLD mode																
Description:	The following two conditions cause the HOLD mode to be released. (1) An interrupt is accepted. (2) The HOLD release condition specified by the HEF is met. In HOLD mode, when an interrupt is accepted the HOLD mode will be released and the interrupt service routine will be executed. After completing the interrupt service routine by executing the RTN instruction, the μ C will enter HOLD mode again.																



Instruction Set Table 2, continued

INC	R	Increment R content																
Machine Code:		<table border="1" style="display: inline-table; margin-right: 20px;"> <tr> <td>0</td><td>1</td><td>0</td><td>0</td><td>1</td><td>0</td><td>1</td><td>0</td> </tr> </table> <table border="1" style="display: inline-table;"> <tr> <td>0</td><td>R6</td><td>R5</td><td>R4</td><td>R3</td><td>R2</td><td>R1</td><td>R0</td> </tr> </table>	0	1	0	0	1	0	1	0	0	R6	R5	R4	R3	R2	R1	R0
0	1	0	0	1	0	1	0											
0	R6	R5	R4	R3	R2	R1	R0											
Machine Cycle:		1																
Operation:		ACC, R ← (R) + 1																
Description:		Increment the data memory content and load the result into the ACC and the data memory.																
Flag Affected:		CF & ZF																
JB0	L	Jump when bit 0 of ACC is "1"																
Machine Code:		<table border="1" style="display: inline-table; margin-right: 20px;"> <tr> <td>1</td><td>0</td><td>0</td><td>0</td><td>0</td><td>L10</td><td>L9</td><td>L8</td> </tr> </table> <table border="1" style="display: inline-table;"> <tr> <td>L7</td><td>L6</td><td>L5</td><td>L4</td><td>L3</td><td>L2</td><td>L1</td><td>L0</td> </tr> </table>	1	0	0	0	0	L10	L9	L8	L7	L6	L5	L4	L3	L2	L1	L0
1	0	0	0	0	L10	L9	L8											
L7	L6	L5	L4	L3	L2	L1	L0											
Machine Cycle:		1																
Operation:		PC10 ~ PC0 ← L10 ~ L0; if ACC.0 = "1"																
Description:		If bit 0 of the ACC is "1," PC10 to PC0 of the program counter are replaced with the data specified by L10 to L0 and a jump occurs. If bit 0 of the ACC is "0," the program counter (PC) is incremented.																
JB1	L	Jump when bit 1 of ACC is "1"																
Machine Code:		<table border="1" style="display: inline-table; margin-right: 20px;"> <tr> <td>1</td><td>0</td><td>0</td><td>1</td><td>0</td><td>L10</td><td>L9</td><td>L8</td> </tr> </table> <table border="1" style="display: inline-table;"> <tr> <td>L7</td><td>L6</td><td>L5</td><td>L4</td><td>L3</td><td>L2</td><td>L1</td><td>L0</td> </tr> </table>	1	0	0	1	0	L10	L9	L8	L7	L6	L5	L4	L3	L2	L1	L0
1	0	0	1	0	L10	L9	L8											
L7	L6	L5	L4	L3	L2	L1	L0											
Machine Cycle:		1																
Operation:		PC10 ~ PC0 ← L10 ~ L0; if ACC.1 = "1"																
Description:		If bit 1 of the ACC is "1," PC10 to PC0 of the program counter are replaced with the data specified by L10 to L0 and a jump occurs. If bit 1 of the ACC is "0," the program counter (PC) is incremented.																



Instruction Set Table 2, continued

JB2 L	Jump when bit 2 of ACC is "1"																
Machine Code:	<table border="1" style="display: inline-table; margin-right: 20px;"> <tr> <td>1</td><td>0</td><td>1</td><td>0</td><td>0</td><td>L10</td><td>L9</td><td>L8</td> </tr> </table> <table border="1" style="display: inline-table;"> <tr> <td>L7</td><td>L6</td><td>L5</td><td>L4</td><td>L3</td><td>L2</td><td>L1</td><td>L0</td> </tr> </table>	1	0	1	0	0	L10	L9	L8	L7	L6	L5	L4	L3	L2	L1	L0
1	0	1	0	0	L10	L9	L8										
L7	L6	L5	L4	L3	L2	L1	L0										
Machine Cycle:	1																
Operation:	PC10 ~ PC0 ← L10 ~ L0; if ACC.2="1"																
Description:	If bit 2 of the ACC is "1," PC10 to PC0 of the program counter are replaced with the data specified by L10 to L0 and a jump occurs. If bit 2 of the ACC is "0," the program counter (PC) is incremented.																
JB3 L	Jump when bit 3 of ACC is "1"																
Machine Code:	<table border="1" style="display: inline-table; margin-right: 20px;"> <tr> <td>1</td><td>0</td><td>1</td><td>1</td><td>0</td><td>L10</td><td>L9</td><td>L8</td> </tr> </table> <table border="1" style="display: inline-table;"> <tr> <td>L7</td><td>L6</td><td>L5</td><td>L4</td><td>L3</td><td>L2</td><td>L1</td><td>L0</td> </tr> </table>	1	0	1	1	0	L10	L9	L8	L7	L6	L5	L4	L3	L2	L1	L0
1	0	1	1	0	L10	L9	L8										
L7	L6	L5	L4	L3	L2	L1	L0										
Machine Cycle:	1																
Operation:	PC10 ~ PC0 ← L10 ~ L0; if ACC.3 = "1"																
Description:	If bit 3 of the ACC is "1," PC10 to PC0 of the program counter are replaced with the data specified by L10 to L0 and a jump occurs. If bit 3 of the ACC is "0," the program counter (PC) is incremented.																
JC L	Jump when CF is "1"																
Machine Code:	<table border="1" style="display: inline-table; margin-right: 20px;"> <tr> <td>1</td><td>1</td><td>1</td><td>1</td><td>0</td><td>L10</td><td>L9</td><td>L8</td> </tr> </table> <table border="1" style="display: inline-table;"> <tr> <td>L7</td><td>L6</td><td>L5</td><td>L4</td><td>L3</td><td>L2</td><td>L1</td><td>L0</td> </tr> </table>	1	1	1	1	0	L10	L9	L8	L7	L6	L5	L4	L3	L2	L1	L0
1	1	1	1	0	L10	L9	L8										
L7	L6	L5	L4	L3	L2	L1	L0										
Machine Cycle:	1																
Operation:	PC10 ~ PC0 ← L10 ~ L0; if CF = "1"																
Description:	If CF is "1," PC10 to PC0 of the program counter are replaced with the data specified by L10 to L0 and a jump occurs. If the CF is "0," the program counter (PC) is incremented.																



Instruction Set Table 2, continued

JMP L	Jump absolutely																
Machine Code:	<table border="1" style="display: inline-table; vertical-align: middle;"> <tr> <td>0</td><td>1</td><td>1</td><td>1</td><td>0</td><td>L10</td><td>L9</td><td>L8</td> </tr> </table> <table border="1" style="display: inline-table; vertical-align: middle; margin-left: 20px;"> <tr> <td>L7</td><td>L6</td><td>L5</td><td>L4</td><td>L3</td><td>L2</td><td>L1</td><td>L0</td> </tr> </table>	0	1	1	1	0	L10	L9	L8	L7	L6	L5	L4	L3	L2	L1	L0
0	1	1	1	0	L10	L9	L8										
L7	L6	L5	L4	L3	L2	L1	L0										
Machine Cycle:	1																
Operation:	PC10 ~ PC0 ← L10 ~ L0																
Description:	PC10 to PC0 of the program counter are replaced with the data specified by L10 to L0 and an unconditional jump occurs.																
JNC L	Jump when CF is not "1"																
Machine Code:	<table border="1" style="display: inline-table; vertical-align: middle;"> <tr> <td>1</td><td>1</td><td>0</td><td>1</td><td>0</td><td>L10</td><td>L9</td><td>L8</td> </tr> </table> <table border="1" style="display: inline-table; vertical-align: middle; margin-left: 20px;"> <tr> <td>L7</td><td>L6</td><td>L5</td><td>L4</td><td>L3</td><td>L2</td><td>L1</td><td>L0</td> </tr> </table>	1	1	0	1	0	L10	L9	L8	L7	L6	L5	L4	L3	L2	L1	L0
1	1	0	1	0	L10	L9	L8										
L7	L6	L5	L4	L3	L2	L1	L0										
Machine Cycle:	1																
Operation:	PC10 ~ PC0 ← L10 ~ L0; if CF = "0"																
Description:	If CF is "0," PC10 to PC0 of the program counter are replaced with the data specified by L10 to L0 and a jump occurs. If CF is "1," the program counter (PC) is incremented.																
JNZ L	Jump when ACC is not zero																
Machine Code:	<table border="1" style="display: inline-table; vertical-align: middle;"> <tr> <td>1</td><td>1</td><td>0</td><td>0</td><td>0</td><td>L10</td><td>L9</td><td>L8</td> </tr> </table> <table border="1" style="display: inline-table; vertical-align: middle; margin-left: 20px;"> <tr> <td>L7</td><td>L6</td><td>L5</td><td>L4</td><td>L3</td><td>L2</td><td>L1</td><td>L0</td> </tr> </table>	1	1	0	0	0	L10	L9	L8	L7	L6	L5	L4	L3	L2	L1	L0
1	1	0	0	0	L10	L9	L8										
L7	L6	L5	L4	L3	L2	L1	L0										
Machine Cycle:	1																
Operation:	PC10 ~ PC0 ← L10 ~ L0; if ACC != 0																
Description:	If the ACC is not zero, PC10 to PC0 of the program counter are replaced with the data specified by L10 to L0 and a jump occurs. If the ACC is zero, the program counter (PC) is incremented.																



Instruction Set Table 2, continued

JZ	L	Jump when ACC is zero																
Machine Code:		<table border="1"> <tr> <td>1</td><td>1</td><td>1</td><td>0</td><td>0</td><td>L10</td><td>L9</td><td>L8</td> <td>L7</td><td>L6</td><td>L5</td><td>L4</td><td>L3</td><td>L2</td><td>L1</td><td>L0</td> </tr> </table>	1	1	1	0	0	L10	L9	L8	L7	L6	L5	L4	L3	L2	L1	L0
1	1	1	0	0	L10	L9	L8	L7	L6	L5	L4	L3	L2	L1	L0			
Machine Cycle:		1																
Operation:		PC10 ~ PC0 ← L10 ~ L0; if ACC = 0																
Description:		If the ACC is zero, PC10 to PC0 of the program counter are replaced with the data specified by L10 to L0 and a jump occurs. If the ACC is not zero, the program counter (PC) is incremented.																
LCDON		LCD ON																
Machine Code:		<table border="1"> <tr> <td>0</td><td>0</td><td>0</td><td>0</td><td>0</td><td>0</td><td>1</td><td>0</td> <td>0</td><td>0</td><td>0</td><td>0</td><td>0</td><td>0</td><td>0</td><td>0</td> </tr> </table>	0	0	0	0	0	0	1	0	0	0	0	0	0	0	0	0
0	0	0	0	0	0	1	0	0	0	0	0	0	0	0	0			
Machine Cycle:		1																
Operation:		LCD ON																
Description:		Turn on LCD display.																
LCDOFF		LCD OFF																
Machine Code:		<table border="1"> <tr> <td>0</td><td>0</td><td>0</td><td>0</td><td>0</td><td>0</td><td>1</td><td>0</td> <td>1</td><td>0</td><td>0</td><td>0</td><td>0</td><td>0</td><td>0</td><td>0</td> </tr> </table>	0	0	0	0	0	0	1	0	1	0	0	0	0	0	0	0
0	0	0	0	0	0	1	0	1	0	0	0	0	0	0	0			
Machine Cycle:		1																
Operation:		LCD OFF																
Description:		Turn off LCD display.																



Instruction Set Table 2, continued

MOV ACC, R	Move R content to ACC																
Machine Code:	<table border="1" style="display: inline-table; margin-right: 20px;"> <tr> <td>0</td><td>1</td><td>0</td><td>0</td><td>1</td><td>1</td><td>1</td><td>0</td> </tr> </table> <table border="1" style="display: inline-table;"> <tr> <td>1</td><td>R6</td><td>R5</td><td>R4</td><td>R3</td><td>R2</td><td>R1</td><td>R0</td> </tr> </table>	0	1	0	0	1	1	1	0	1	R6	R5	R4	R3	R2	R1	R0
0	1	0	0	1	1	1	0										
1	R6	R5	R4	R3	R2	R1	R0										
Machine Cycle:	1																
Operation:	ACC ← (R)																
Description:	The contents of the data memory location addressed by R6 to R0 are loaded into the ACC.																
Flag Affected:	ZF																
MOV CF, R	Move R.0 content to CF																
Machine Code:	<table border="1" style="display: inline-table; margin-right: 20px;"> <tr> <td>0</td><td>1</td><td>0</td><td>1</td><td>1</td><td>0</td><td>0</td><td>0</td> </tr> </table> <table border="1" style="display: inline-table;"> <tr> <td>0</td><td>R6</td><td>R5</td><td>R4</td><td>R3</td><td>R2</td><td>R1</td><td>R0</td> </tr> </table>	0	1	0	1	1	0	0	0	0	R6	R5	R4	R3	R2	R1	R0
0	1	0	1	1	0	0	0										
0	R6	R5	R4	R3	R2	R1	R0										
Machine Cycle:	1																
Operation:	CF ← (R.0)																
Description:	The bit 0 content of the data memory location addressed by R6 to R0 is loaded into CF.																
Flag Affected:	CF																



Instruction Set Table 2, continued

MOV HEF, #I	Set/Reset Hold mode release Enable Flag																
Machine Code:	<table border="1" style="display: inline-table; vertical-align: middle;"> <tr> <td>0</td><td>1</td><td>0</td><td>0</td><td>0</td><td>0</td><td>0</td><td>1</td> </tr> </table> <table border="1" style="display: inline-table; vertical-align: middle; margin-left: 20px;"> <tr> <td>17</td><td>16</td><td>15</td><td>14</td><td>13</td><td>12</td><td>11</td><td>10</td> </tr> </table>	0	1	0	0	0	0	0	1	17	16	15	14	13	12	11	10
0	1	0	0	0	0	0	1										
17	16	15	14	13	12	11	10										
Machine Cycle:	1																
Operation:	Hold mode release enable flag control																
Description:	<table border="1"> <tr> <th>10~17</th> <th>Operation</th> </tr> <tr> <td>10 = 1</td> <td>The HEF0 is set so that overflow from the divider 0 caused the HOLD mode to be released.</td> </tr> <tr> <td>11 = 1</td> <td>The HEF1 is set so that underflow from the Timer 0 caused the HOLD mode to be released.</td> </tr> <tr> <td>12 = 1</td> <td>The HEF2 is set so that signal change at port RC caused the HOLD mode to be released.</td> </tr> <tr> <td>13</td> <td>Reserved</td> </tr> <tr> <td>14 = 1</td> <td>The HEF4 is set so that overflow from the divider 1 caused the HOLD mode to be released for W741C260 body; The HEF4 is set so that the falling edge signal at the INT pin caused the HOLD mode to be released for W741C250 body.</td> </tr> <tr> <td>15 & 16</td> <td>Reserved</td> </tr> <tr> <td>17 = 1</td> <td>The HEF7 is set so that underflow from the Timer 1 caused the HOLD mode to be released.</td> </tr> </table>	10~17	Operation	10 = 1	The HEF0 is set so that overflow from the divider 0 caused the HOLD mode to be released.	11 = 1	The HEF1 is set so that underflow from the Timer 0 caused the HOLD mode to be released.	12 = 1	The HEF2 is set so that signal change at port RC caused the HOLD mode to be released.	13	Reserved	14 = 1	The HEF4 is set so that overflow from the divider 1 caused the HOLD mode to be released for W741C260 body; The HEF4 is set so that the falling edge signal at the INT pin caused the HOLD mode to be released for W741C250 body.	15 & 16	Reserved	17 = 1	The HEF7 is set so that underflow from the Timer 1 caused the HOLD mode to be released.
10~17	Operation																
10 = 1	The HEF0 is set so that overflow from the divider 0 caused the HOLD mode to be released.																
11 = 1	The HEF1 is set so that underflow from the Timer 0 caused the HOLD mode to be released.																
12 = 1	The HEF2 is set so that signal change at port RC caused the HOLD mode to be released.																
13	Reserved																
14 = 1	The HEF4 is set so that overflow from the divider 1 caused the HOLD mode to be released for W741C260 body; The HEF4 is set so that the falling edge signal at the INT pin caused the HOLD mode to be released for W741C250 body.																
15 & 16	Reserved																
17 = 1	The HEF7 is set so that underflow from the Timer 1 caused the HOLD mode to be released.																



Instruction Set Table 2, continued

MOV IEF, #I	Set/Reset Interrupt Enable Flag																
Machine Code:	<table border="1"> <tr> <td>0</td><td>1</td><td>0</td><td>1</td><td>0</td><td>0</td><td>0</td><td>1</td> <td>17</td><td>16</td><td>15</td><td>14</td><td>13</td><td>12</td><td>11</td><td>10</td> </tr> </table>	0	1	0	1	0	0	0	1	17	16	15	14	13	12	11	10
0	1	0	1	0	0	0	1	17	16	15	14	13	12	11	10		
Machine Cycle:	1																
Operation:	Interrupt Enable flag Control																
Description:	<p>The interrupt enable flag corresponding to the data specified by I7-I0 is controlled:</p> <table border="1"> <tr> <td>I0~I7</td> <td>Operation</td> </tr> <tr> <td>I0 = 1</td> <td>The IEF0 is set so that interrupt 0 (overflow from the divider 0) is accepted.</td> </tr> <tr> <td>I1 = 1</td> <td>The IEF1 is set so that interrupt 1 (underflow from the Timer 0) is accepted.</td> </tr> <tr> <td>I2 = 1</td> <td>The IEF2 is set so that interrupt 2 (signal change at port RC) is accepted.</td> </tr> <tr> <td>I3</td> <td>Reserved</td> </tr> <tr> <td>I4 = 1</td> <td>The IEF4 is set so that interrupt 4 (overflow from the divider 1) is accepted for W741C260 body; the IEF4 is set so that interrupt 4 (falling edge signal at the INT pin) is accepted for the W741C250 body.</td> </tr> <tr> <td>I5 & I6</td> <td>Reserved</td> </tr> <tr> <td>I7 = 1</td> <td>The IEF7 is set so that interrupt 7 (underflow from the Timer 1) is accepted.</td> </tr> </table>	I0~I7	Operation	I0 = 1	The IEF0 is set so that interrupt 0 (overflow from the divider 0) is accepted.	I1 = 1	The IEF1 is set so that interrupt 1 (underflow from the Timer 0) is accepted.	I2 = 1	The IEF2 is set so that interrupt 2 (signal change at port RC) is accepted.	I3	Reserved	I4 = 1	The IEF4 is set so that interrupt 4 (overflow from the divider 1) is accepted for W741C260 body; the IEF4 is set so that interrupt 4 (falling edge signal at the INT pin) is accepted for the W741C250 body.	I5 & I6	Reserved	I7 = 1	The IEF7 is set so that interrupt 7 (underflow from the Timer 1) is accepted.
I0~I7	Operation																
I0 = 1	The IEF0 is set so that interrupt 0 (overflow from the divider 0) is accepted.																
I1 = 1	The IEF1 is set so that interrupt 1 (underflow from the Timer 0) is accepted.																
I2 = 1	The IEF2 is set so that interrupt 2 (signal change at port RC) is accepted.																
I3	Reserved																
I4 = 1	The IEF4 is set so that interrupt 4 (overflow from the divider 1) is accepted for W741C260 body; the IEF4 is set so that interrupt 4 (falling edge signal at the INT pin) is accepted for the W741C250 body.																
I5 & I6	Reserved																
I7 = 1	The IEF7 is set so that interrupt 7 (underflow from the Timer 1) is accepted.																
MOV LCDM, #I	Select LCD output Mode type																
Machine Code:	<table border="1"> <tr> <td>0</td><td>0</td><td>0</td><td>0</td><td>0</td><td>0</td><td>1</td><td>1</td> <td>17</td><td>16</td><td>15</td><td>14</td><td>13</td><td>12</td><td>11</td><td>10</td> </tr> </table>	0	0	0	0	0	0	1	1	17	16	15	14	13	12	11	10
0	0	0	0	0	0	1	1	17	16	15	14	13	12	11	10		
Machine Cycle:	1																
Operation:	Select LCD output mode type																
Description:	<p>When LCD output pins are set to DC output mode, user can select CMOS or NMOS as output type. I0~I7 = 0 => CMOS type; I0~I7 = 1 => NMOS type.</p>																



Instruction Set Table 2, continued

MOV LCDR, ACC	Move ACC content to LCDR																
Machine Code:	<table border="1"> <tr> <td>0</td><td>0</td><td>0</td><td>0</td><td>0</td><td>1</td><td>1</td><td>D4</td> </tr> </table> <table border="1"> <tr> <td>D3</td><td>D2</td><td>D1</td><td>D0</td><td>0</td><td>0</td><td>0</td><td>0</td> </tr> </table>	0	0	0	0	0	1	1	D4	D3	D2	D1	D0	0	0	0	0
0	0	0	0	0	1	1	D4										
D3	D2	D1	D0	0	0	0	0										
Machine Cycle:	1																
Operation:	LCDR ← (ACC)																
Description:	The contents of the ACC are loaded to the LCD data RAM (LCDR) location addressed by D4 to D0.																
MOV LCDR, WR	Load WR content to LCDR																
Machine Code:	<table border="1"> <tr> <td>0</td><td>1</td><td>0</td><td>0</td><td>0</td><td>1</td><td>0</td><td>D4</td> </tr> </table> <table border="1"> <tr> <td>D3</td><td>D2</td><td>D1</td><td>D0</td><td>W3</td><td>W2</td><td>W1</td><td>W0</td> </tr> </table>	0	1	0	0	0	1	0	D4	D3	D2	D1	D0	W3	W2	W1	W0
0	1	0	0	0	1	0	D4										
D3	D2	D1	D0	W3	W2	W1	W0										
Machine Cycle:	1																
Operation:	LCDR ← (WR)																
Description:	The contents of the WR are loaded to the LCD data RAM (LCDR) location addressed by D4 to D0.																
MOV LCDR, #I	Load immediate data to LCDR																
Machine Code:	<table border="1"> <tr> <td>0</td><td>0</td><td>0</td><td>0</td><td>0</td><td>1</td><td>0</td><td>D4</td> </tr> </table> <table border="1"> <tr> <td>D3</td><td>D2</td><td>D1</td><td>D0</td><td>I3</td><td>I2</td><td>I1</td><td>I0</td> </tr> </table>	0	0	0	0	0	1	0	D4	D3	D2	D1	D0	I3	I2	I1	I0
0	0	0	0	0	1	0	D4										
D3	D2	D1	D0	I3	I2	I1	I0										
Machine Cycle:	1																
Operation:	LCDR ← I																
Description:	The immediate data I are loaded to the LCD data RAM (LCDR) location addressed by D4 to D0.																



Instruction Set Table 2, continued

MOV	MFP, #I	Modulation Frequency Pulse generator																													
Machine Code:		<table border="1"> <tr> <td>0</td><td>0</td><td>0</td><td>1</td><td>0</td><td>0</td><td>1</td><td>0</td> <td>17</td><td>16</td><td>15</td><td>14</td><td>13</td><td>12</td><td>11</td><td>10</td> </tr> </table>	0	0	0	1	0	0	1	0	17	16	15	14	13	12	11	10													
0	0	0	1	0	0	1	0	17	16	15	14	13	12	11	10																
Machine Cycle:		1																													
Operation:		[MFP] ← I																													
Description:		<p>If the bit 2 of MR1 is "0," the waveform specified by I7 to I0 is delivered at the MFP output pin (MFP). The relation between the waveform and immediate data I is as follows:</p> <table border="1"> <thead> <tr> <th>I5~I0</th> <th>I0 = 1</th> <th>I1 = 1</th> <th>I2 = 1</th> <th>I3 = 1</th> <th>I4 = 1</th> <th>I5 = 1</th> </tr> </thead> <tbody> <tr> <td>Signal</td> <td>$\frac{F_{osc}}{256}$</td> <td>$\frac{F_{osc}}{512}$</td> <td>$\frac{F_{osc}}{4096}$</td> <td>$\frac{F_{osc}}{8192}$</td> <td>$\frac{F_{osc}}{16384}$</td> <td>$\frac{F_{osc}}{32768}$</td> </tr> </tbody> </table> <table border="1"> <thead> <tr> <th>I7</th> <th>I6</th> <th>Signal</th> </tr> </thead> <tbody> <tr> <td>0</td> <td>0</td> <td>Low</td> </tr> <tr> <td>0</td> <td>1</td> <td>High</td> </tr> <tr> <td>1</td> <td>0</td> <td>Fosc/16</td> </tr> <tr> <td>1</td> <td>1</td> <td>Fosc/8</td> </tr> </tbody> </table>	I5~I0	I0 = 1	I1 = 1	I2 = 1	I3 = 1	I4 = 1	I5 = 1	Signal	$\frac{F_{osc}}{256}$	$\frac{F_{osc}}{512}$	$\frac{F_{osc}}{4096}$	$\frac{F_{osc}}{8192}$	$\frac{F_{osc}}{16384}$	$\frac{F_{osc}}{32768}$	I7	I6	Signal	0	0	Low	0	1	High	1	0	Fosc/16	1	1	Fosc/8
I5~I0	I0 = 1	I1 = 1	I2 = 1	I3 = 1	I4 = 1	I5 = 1																									
Signal	$\frac{F_{osc}}{256}$	$\frac{F_{osc}}{512}$	$\frac{F_{osc}}{4096}$	$\frac{F_{osc}}{8192}$	$\frac{F_{osc}}{16384}$	$\frac{F_{osc}}{32768}$																									
I7	I6	Signal																													
0	0	Low																													
0	1	High																													
1	0	Fosc/16																													
1	1	Fosc/8																													



Instruction Set Table 2, continued

MOV MR0, #I	Load immediate data to Mode Register 0 (MR0)																
Machine Code:	<table border="1" style="display: inline-table; border-collapse: collapse;"> <tr> <td style="padding: 2px 5px;">0</td><td style="padding: 2px 5px;">0</td><td style="padding: 2px 5px;">0</td><td style="padding: 2px 5px;">1</td><td style="padding: 2px 5px;">0</td><td style="padding: 2px 5px;">0</td><td style="padding: 2px 5px;">1</td><td style="padding: 2px 5px;">1</td> <td style="padding: 2px 5px;">1</td><td style="padding: 2px 5px;">0</td><td style="padding: 2px 5px;">0</td><td style="padding: 2px 5px;">0</td><td style="padding: 2px 5px;">13</td><td style="padding: 2px 5px;">12</td><td style="padding: 2px 5px;">11</td><td style="padding: 2px 5px;">10</td> </tr> </table>	0	0	0	1	0	0	1	1	1	0	0	0	13	12	11	10
0	0	0	1	0	0	1	1	1	0	0	0	13	12	11	10		
Machine Cycle:	1																
Operation:	MR0 ← I																
Description:	<p>The immediate data I are loaded to the MR0.</p> <p>MR0 bits description:</p> <table border="1" style="margin-left: 20px; border-collapse: collapse;"> <tr> <td style="padding: 2px 5px;">bit 0</td> <td style="padding: 2px 5px;">= 0 The fundamental frequency of Timer 0 is Fosc/4 = 1 The fundamental frequency of Timer 0 is Fosc/1024</td> </tr> <tr> <td style="padding: 2px 5px;">bit 1</td> <td style="padding: 2px 5px;">Reserved</td> </tr> <tr> <td style="padding: 2px 5px;">bit 2</td> <td style="padding: 2px 5px;">Reserved</td> </tr> <tr> <td style="padding: 2px 5px;">bit 3</td> <td style="padding: 2px 5px;">= 0 Timer 0 stop down-counting = 1 Timer 0 start down-counting</td> </tr> </table>	bit 0	= 0 The fundamental frequency of Timer 0 is Fosc/4 = 1 The fundamental frequency of Timer 0 is Fosc/1024	bit 1	Reserved	bit 2	Reserved	bit 3	= 0 Timer 0 stop down-counting = 1 Timer 0 start down-counting								
bit 0	= 0 The fundamental frequency of Timer 0 is Fosc/4 = 1 The fundamental frequency of Timer 0 is Fosc/1024																
bit 1	Reserved																
bit 2	Reserved																
bit 3	= 0 Timer 0 stop down-counting = 1 Timer 0 start down-counting																



Instruction Set Table 2, continued

MOV MR1, #I	Load immediate data to Mode Register 1 (MR1)								
Machine Code:	<table border="1" style="display: inline-table; vertical-align: middle;"> <tr> <td style="padding: 2px 5px;">0 0 0 1 0 0 1 1</td> <td style="padding: 2px 5px;">0 0 0 0 13 12 11 10</td> </tr> </table>	0 0 0 1 0 0 1 1	0 0 0 0 13 12 11 10						
0 0 0 1 0 0 1 1	0 0 0 0 13 12 11 10								
Machine Cycle:	1								
Operation:	MR1 ← I								
Description:	<p>The immediate data I are loaded to the MR1.</p> <p>MR1 bit description:</p> <table border="1" style="width: 100%; border-collapse: collapse;"> <tr> <td style="width: 10%; text-align: center;">bit0</td> <td>= 0 The internal fundamental frequency of Timer 1 is Fosc = 1 The internal fundamental frequency of Timer 1 is Fosc/64</td> </tr> <tr> <td style="text-align: center;">bit1</td> <td>= 0 The fundamental frequency source of Timer 1 is internal clock = 1 The fundamental frequency source of Timer 1 is external clock via RC.0 input pin</td> </tr> <tr> <td style="text-align: center;">bit2</td> <td>= 0 The specified waveform of the MFP generator is delivered at the MFP output pin = 1 The specified frequency of the Timer 1 is delivered at the MFP output pin</td> </tr> <tr> <td style="text-align: center;">bit3</td> <td>= 0 Timer 1 stop down-counting = 1 Timer 1 start down-counting</td> </tr> </table>	bit0	= 0 The internal fundamental frequency of Timer 1 is Fosc = 1 The internal fundamental frequency of Timer 1 is Fosc/64	bit1	= 0 The fundamental frequency source of Timer 1 is internal clock = 1 The fundamental frequency source of Timer 1 is external clock via RC.0 input pin	bit2	= 0 The specified waveform of the MFP generator is delivered at the MFP output pin = 1 The specified frequency of the Timer 1 is delivered at the MFP output pin	bit3	= 0 Timer 1 stop down-counting = 1 Timer 1 start down-counting
bit0	= 0 The internal fundamental frequency of Timer 1 is Fosc = 1 The internal fundamental frequency of Timer 1 is Fosc/64								
bit1	= 0 The fundamental frequency source of Timer 1 is internal clock = 1 The fundamental frequency source of Timer 1 is external clock via RC.0 input pin								
bit2	= 0 The specified waveform of the MFP generator is delivered at the MFP output pin = 1 The specified frequency of the Timer 1 is delivered at the MFP output pin								
bit3	= 0 Timer 1 stop down-counting = 1 Timer 1 start down-counting								



Instruction Set Table 2, continued

MOV PAGE, #I	Load immediate data to Page Register																																				
Machine Code:	<table border="1" style="display: inline-table; margin-right: 20px;"> <tr><td>0</td><td>1</td><td>0</td><td>1</td><td>0</td><td>1</td><td>1</td><td>0</td></tr> </table> <table border="1" style="display: inline-table;"> <tr><td>1</td><td>0</td><td>0</td><td>0</td><td>I3</td><td>I2</td><td>I1</td><td>I0</td></tr> </table>	0	1	0	1	0	1	1	0	1	0	0	0	I3	I2	I1	I0																				
0	1	0	1	0	1	1	0																														
1	0	0	0	I3	I2	I1	I0																														
Machine Cycle:	1																																				
Operation:	Page Register ← I																																				
Description:	<p>The immediate data I are loaded to the PR. Bit 3 is reserved. Bit 0, bit 1, and bit 2 indirect addressing mode preselect bits:</p> <table border="1" style="margin-left: 20px;"> <thead> <tr> <th>bit2</th> <th>bit1</th> <th>bit0</th> <th></th> </tr> </thead> <tbody> <tr><td>0</td><td>0</td><td>0</td><td>= Page 0 (00H~0FH)</td></tr> <tr><td>0</td><td>0</td><td>1</td><td>= Page 1 (10H~1FH)</td></tr> <tr><td>0</td><td>1</td><td>0</td><td>= Page 2 (20H~2FH)</td></tr> <tr><td>0</td><td>1</td><td>1</td><td>= Page 3 (30H~3FH)</td></tr> <tr><td>1</td><td>0</td><td>0</td><td>= Page 4 (40H~4FH)</td></tr> <tr><td>1</td><td>0</td><td>1</td><td>= Page 5 (50H~5FH)</td></tr> <tr><td>1</td><td>1</td><td>0</td><td>= Page 6 (60H~6FH)</td></tr> <tr><td>1</td><td>1</td><td>1</td><td>= Page 7 (70H~7FH)</td></tr> </tbody> </table>	bit2	bit1	bit0		0	0	0	= Page 0 (00H~0FH)	0	0	1	= Page 1 (10H~1FH)	0	1	0	= Page 2 (20H~2FH)	0	1	1	= Page 3 (30H~3FH)	1	0	0	= Page 4 (40H~4FH)	1	0	1	= Page 5 (50H~5FH)	1	1	0	= Page 6 (60H~6FH)	1	1	1	= Page 7 (70H~7FH)
bit2	bit1	bit0																																			
0	0	0	= Page 0 (00H~0FH)																																		
0	0	1	= Page 1 (10H~1FH)																																		
0	1	0	= Page 2 (20H~2FH)																																		
0	1	1	= Page 3 (30H~3FH)																																		
1	0	0	= Page 4 (40H~4FH)																																		
1	0	1	= Page 5 (50H~5FH)																																		
1	1	0	= Page 6 (60H~6FH)																																		
1	1	1	= Page 7 (70H~7FH)																																		



Instruction Set Table 2, continued

MOV PEF, #I	Set/Reset Port Enable Flag										
Machine Code:	<table border="1"> <tr> <td>0 1 0 0 0 0 1 1</td> <td>0 0 0 0 13 12 11 10</td> </tr> </table>	0 1 0 0 0 0 1 1	0 0 0 0 13 12 11 10								
0 1 0 0 0 0 1 1	0 0 0 0 13 12 11 10										
Machine Cycle:	1										
Operation:	Port enable flag control										
Description:	<p>The data specified by I can cause HOLD mode to be released or an interrupt to occur. The signal change on port RC is specified.</p> <table border="1"> <thead> <tr> <th>I0~I7</th> <th>Signal change at port RC</th> </tr> </thead> <tbody> <tr> <td>I0 = 1</td> <td>RC0</td> </tr> <tr> <td>I1 = 1</td> <td>RC1</td> </tr> <tr> <td>I2 = 1</td> <td>RC2</td> </tr> <tr> <td>I3 = 1</td> <td>RC3</td> </tr> </tbody> </table>	I0~I7	Signal change at port RC	I0 = 1	RC0	I1 = 1	RC1	I2 = 1	RC2	I3 = 1	RC3
I0~I7	Signal change at port RC										
I0 = 1	RC0										
I1 = 1	RC1										
I2 = 1	RC2										
I3 = 1	RC3										
MOV PM0, #I	Set/Reset Port Mode 0 register										
Machine Code:	<table border="1"> <tr> <td>0 1 0 1 0 0 1 1</td> <td>0 0 0 0 13 12 11 10</td> </tr> </table>	0 1 0 1 0 0 1 1	0 0 0 0 13 12 11 10								
0 1 0 1 0 0 1 1	0 0 0 0 13 12 11 10										
Machine Cycle:	1										
Operation:	Set/Reset Port mode 0 register										
Description:	<p>I0 = 0: RA port is CMOS type; I0 = 1: RA port is NMOS type. I1 = 0: RB port is CMOS type; I1 = 1: RB port is NMOS type. I2 = 0: RC port pull-high resistor is disabled; I2 = 1: RC port pull-high resistor is enabled. I3 = 0: RD port pull-high resistor is disabled; I3 = 1: RD port pull-high resistor is enabled.</p>										



Instruction set table 2, continued

MOV PM1, #I	RA port independent Input/Output control																
Machine Code:	<table border="1" style="display: inline-table; margin-right: 20px;"> <tr> <td>0</td><td>1</td><td>0</td><td>1</td><td>0</td><td>1</td><td>1</td><td>1</td> </tr> </table> <table border="1" style="display: inline-table;"> <tr> <td>0</td><td>0</td><td>0</td><td>0</td><td>I3</td><td>I2</td><td>I1</td><td>I0</td> </tr> </table>	0	1	0	1	0	1	1	1	0	0	0	0	I3	I2	I1	I0
0	1	0	1	0	1	1	1										
0	0	0	0	I3	I2	I1	I0										
Machine Cycle:	1																
Operation:	RA port 4 pins input/output control is independent.																
Description:	I0 = 0: RA.0 is output pin; I0 = 1: RA.0 is input pin. I1 = 0: RA.1 is output pin; I1 = 1: RA.1 is input pin. I2 = 0: RA.2 is output pin; I2 = 1: RA.2 is input pin. I3 = 0: RA.3 is output pin; I3 = 1: RA.3 is input pin. Default condition RA port is input mode (PM = 1111B).																
MOV PM2, #I	RB port independent Input/Output control																
Machine Code:	<table border="1" style="display: inline-table; margin-right: 20px;"> <tr> <td>0</td><td>1</td><td>0</td><td>1</td><td>0</td><td>1</td><td>1</td><td>1</td> </tr> </table> <table border="1" style="display: inline-table;"> <tr> <td>1</td><td>0</td><td>0</td><td>0</td><td>I3</td><td>I2</td><td>I1</td><td>I0</td> </tr> </table>	0	1	0	1	0	1	1	1	1	0	0	0	I3	I2	I1	I0
0	1	0	1	0	1	1	1										
1	0	0	0	I3	I2	I1	I0										
Machine Cycle:	1																
Operation:	RB port 4 pins input/output control is independent.																
Description:	I0 = 0: RB.0 is output pin; I0 = 1: RB.0 is input pin. I1 = 0: RB.1 is output pin; I1 = 1: RB.1 is input pin. I2 = 0: RB.2 is output pin; I2 = 1: RB.2 is input pin. I3 = 0: RB.3 is output pin; I3 = 1: RB.3 is input pin. Default condition RB port is input mode (PM2 = 1111B).																



Instruction Set Table 2, continued

MOV R, ACC	Move ACC content to R		
Machine Code:	<table border="1"> <tr> <td>0 1 0 1 1 0 0 1</td> <td>1 R6 R5 R4 R3 R2 R1 R0</td> </tr> </table>	0 1 0 1 1 0 0 1	1 R6 R5 R4 R3 R2 R1 R0
0 1 0 1 1 0 0 1	1 R6 R5 R4 R3 R2 R1 R0		
Machine Cycle:	1		
Operation:	$R \leftarrow (ACC)$		
Description:	The contents of the ACC are loaded to the data memory location addressed by R6 to R0.		
MOVA R, RA	Input RA port data to ACC & R		
Machine Code:	<table border="1"> <tr> <td>0 1 0 1 1 0 1 1</td> <td>0 R6 R5 R4 R3 R2 R1 R0</td> </tr> </table>	0 1 0 1 1 0 1 1	0 R6 R5 R4 R3 R2 R1 R0
0 1 0 1 1 0 1 1	0 R6 R5 R4 R3 R2 R1 R0		
Machine Cycle:	1		
Operation:	$ACC, R \leftarrow [RA]$		
Description:	The data on port RA are loaded into the data memory location addressed by R6 to R0 and the ACC.		
Flag Affected:	ZF		
MOVA R, RB	Input RB port data to ACC & R		
Machine Code:	<table border="1"> <tr> <td>0 1 0 1 1 0 1 1</td> <td>1 R6 R5 R4 R3 R2 R1 R0</td> </tr> </table>	0 1 0 1 1 0 1 1	1 R6 R5 R4 R3 R2 R1 R0
0 1 0 1 1 0 1 1	1 R6 R5 R4 R3 R2 R1 R0		
Machine Cycle:	1		
Operation:	$ACC, R \leftarrow [RB]$		
Description:	The data on port RB are loaded into the data memory location addressed by R6 to R0 and the ACC.		
Flag Affected:	ZF		



Instruction Set Table 2, continued

MOVA R, RC	Input RC port data to ACC & R		
Machine Code:	<table border="1"> <tr> <td>0 1 0 0 1 0 1 1</td> <td>0 R6 R5 R4 R3 R2 R1 R0</td> </tr> </table>	0 1 0 0 1 0 1 1	0 R6 R5 R4 R3 R2 R1 R0
0 1 0 0 1 0 1 1	0 R6 R5 R4 R3 R2 R1 R0		
Machine Cycle:	1		
Operation:	ACC , R ← [RC]		
Description:	The input data on the input port RC are loaded into the data memory location addressed by R6 to R0 and the ACC.		
Flag Affected:	ZF		
MOVA R, RD	Input RD port data to ACC & R		
Machine Code:	<table border="1"> <tr> <td>0 1 0 0 1 0 1 1</td> <td>1 R6 R5 R4 R3 R2 R1 R0</td> </tr> </table>	0 1 0 0 1 0 1 1	1 R6 R5 R4 R3 R2 R1 R0
0 1 0 0 1 0 1 1	1 R6 R5 R4 R3 R2 R1 R0		
Machine Cycle:	1		
Operation:	ACC , R ← [RD]		
Description:	The input data on the input port RD are loaded into the data memory location addressed by R6 to R0 and the ACC.		
Flag Affected:	ZF		
MOV R, WR	Move WR content to R		
Machine Code:	<table border="1"> <tr> <td>1 1 1 1 1 W3 W2 W1</td> <td>W0 R6 R5 R4 R3 R2 R1 R0</td> </tr> </table>	1 1 1 1 1 W3 W2 W1	W0 R6 R5 R4 R3 R2 R1 R0
1 1 1 1 1 W3 W2 W1	W0 R6 R5 R4 R3 R2 R1 R0		
Machine Cycle:	1		
Operation:	R ← (WR)		
Description:	The contents of the WR are loaded to the data memory location addressed by R6 to R0.		



Instruction Set Table 2, continued

MOV R, #I	Load immediate data to R		
Machine Code:	<table border="1"> <tr> <td>1 0 1 1 1 I3 I2 I1</td> <td>I0 R6 R5 R4 R3 R2 R1 R0</td> </tr> </table>	1 0 1 1 1 I3 I2 I1	I0 R6 R5 R4 R3 R2 R1 R0
1 0 1 1 1 I3 I2 I1	I0 R6 R5 R4 R3 R2 R1 R0		
Machine Cycle:	1		
Operation:	$R \leftarrow I$		
Description:	The immediate data I are loaded to the data memory location addressed by R6 to R0.		
MOV RA, R	Output R content to RA port		
Machine Code:	<table border="1"> <tr> <td>0 1 0 1 1 0 1 0</td> <td>0 R6 R5 R4 R3 R2 R1 R0</td> </tr> </table>	0 1 0 1 1 0 1 0	0 R6 R5 R4 R3 R2 R1 R0
0 1 0 1 1 0 1 0	0 R6 R5 R4 R3 R2 R1 R0		
Machine Cycle:	1		
Operation:	$[RA] \leftarrow (R)$		
Description:	The data in the data memory location addressed by R6 to R0 are output to the port RA.		
MOV RB, R	Output R content to RB port		
Machine Code:	<table border="1"> <tr> <td>0 1 0 1 1 0 1 0</td> <td>1 R6 R5 R4 R3 R2 R1 R0</td> </tr> </table>	0 1 0 1 1 0 1 0	1 R6 R5 R4 R3 R2 R1 R0
0 1 0 1 1 0 1 0	1 R6 R5 R4 R3 R2 R1 R0		
Machine Cycle:	6		
Operation:	1		
Description:	$[RB] \leftarrow (R)$ The contents of the data memory location addressed by R6 to R0 are output to the port RB.		
MOV RE, R	Output R content to port RE		
Machine Code:	<table border="1"> <tr> <td>0 1 0 1 1 1 1 0</td> <td>0 R6 R5 R4 R3 R2 R1 R0</td> </tr> </table>	0 1 0 1 1 1 1 0	0 R6 R5 R4 R3 R2 R1 R0
0 1 0 1 1 1 1 0	0 R6 R5 R4 R3 R2 R1 R0		
Machine Cycle:	1		
Operation:	$[RE] \leftarrow (R)$		
Description:	The contents of the data memory location addressed by R6 to R0 are output to port RE.		



Instruction Set Table 2, continued

MOV SCR, #I	System Clock Register control																
Machine Code:	<table border="1" style="display: inline-table; border-collapse: collapse;"> <tr> <td style="padding: 2px 5px;">0</td><td style="padding: 2px 5px;">1</td><td style="padding: 2px 5px;">0</td><td style="padding: 2px 5px;">1</td><td style="padding: 2px 5px;">0</td><td style="padding: 2px 5px;">1</td><td style="padding: 2px 5px;">0</td><td style="padding: 2px 5px;">0</td> </tr> </table> <table border="1" style="display: inline-table; border-collapse: collapse; margin-left: 20px;"> <tr> <td style="padding: 2px 5px;">0</td><td style="padding: 2px 5px;">0</td><td style="padding: 2px 5px;">0</td><td style="padding: 2px 5px;">0</td><td style="padding: 2px 5px;">13</td><td style="padding: 2px 5px;">12</td><td style="padding: 2px 5px;">11</td><td style="padding: 2px 5px;">10</td> </tr> </table>	0	1	0	1	0	1	0	0	0	0	0	0	13	12	11	10
0	1	0	1	0	1	0	0										
0	0	0	0	13	12	11	10										
Machine Cycle:	1																
Operation:	System clock control																
Description:	<p>If the operation mode is the dual clock operation selected by the option codes, the system clock and oscillator can be arranged by controlling the system clock register. This command is just for the W741C260 body.</p> <p>SCR bits decription:</p> <table border="1" style="width: 100%; border-collapse: collapse;"> <tr> <td style="width: 15%; text-align: center;">Bit 0</td> <td>= 0, Fosc=Fm = 1, Fosc=Fs</td> </tr> <tr> <td style="text-align: center;">Bit 1</td> <td>= 0, main oscillator is enabled = 1, main oscillator is disabled</td> </tr> <tr> <td style="text-align: center;">Bit 2</td> <td>Reserved</td> </tr> <tr> <td style="text-align: center;">Bit 3</td> <td>= 0, divider 1 is 14-stage = 1, divider 1 is 13-stage</td> </tr> </table>	Bit 0	= 0, Fosc=Fm = 1, Fosc=Fs	Bit 1	= 0, main oscillator is enabled = 1, main oscillator is disabled	Bit 2	Reserved	Bit 3	= 0, divider 1 is 14-stage = 1, divider 1 is 13-stage								
Bit 0	= 0, Fosc=Fm = 1, Fosc=Fs																
Bit 1	= 0, main oscillator is enabled = 1, main oscillator is disabled																
Bit 2	Reserved																
Bit 3	= 0, divider 1 is 14-stage = 1, divider 1 is 13-stage																
MOV SEF, #I	Set/Reset STOP mode waked-up Enable Flag for port RC																
Machine Code:	<table border="1" style="display: inline-table; border-collapse: collapse;"> <tr> <td style="padding: 2px 5px;">0</td><td style="padding: 2px 5px;">1</td><td style="padding: 2px 5px;">0</td><td style="padding: 2px 5px;">1</td><td style="padding: 2px 5px;">0</td><td style="padding: 2px 5px;">0</td><td style="padding: 2px 5px;">1</td><td style="padding: 2px 5px;">0</td> </tr> </table> <table border="1" style="display: inline-table; border-collapse: collapse; margin-left: 20px;"> <tr> <td style="padding: 2px 5px;">0</td><td style="padding: 2px 5px;">0</td><td style="padding: 2px 5px;">0</td><td style="padding: 2px 5px;">0</td><td style="padding: 2px 5px;">13</td><td style="padding: 2px 5px;">12</td><td style="padding: 2px 5px;">11</td><td style="padding: 2px 5px;">10</td> </tr> </table>	0	1	0	1	0	0	1	0	0	0	0	0	13	12	11	10
0	1	0	1	0	0	1	0										
0	0	0	0	13	12	11	10										
Machine Cycle:	1																
Operation:	Set/reset STOP mode wake-up enable flag for port RC																
Description:	<p>The data specified by I cause a wake-up from the STOP mode. The falling-edge signal on port RC can be specified independently.</p> <table border="1" style="width: 100%; border-collapse: collapse;"> <tr> <td style="width: 15%; text-align: center;">I0~I7</td> <td>Falling edge signal at port RC</td> </tr> <tr> <td style="text-align: center;">I0 = 1</td> <td>RC0</td> </tr> <tr> <td style="text-align: center;">I1 = 1</td> <td>RC1</td> </tr> <tr> <td style="text-align: center;">I2 = 1</td> <td>RC2</td> </tr> <tr> <td style="text-align: center;">I3 = 1</td> <td>RC3</td> </tr> </table>	I0~I7	Falling edge signal at port RC	I0 = 1	RC0	I1 = 1	RC1	I2 = 1	RC2	I3 = 1	RC3						
I0~I7	Falling edge signal at port RC																
I0 = 1	RC0																
I1 = 1	RC1																
I2 = 1	RC2																
I3 = 1	RC3																



Instruction Set Table 2, continued

MOV TM0, #I	Timer 0 set																
Machine Code:	<table border="1"> <tr> <td>0</td><td>0</td><td>0</td><td>1</td><td>0</td><td>0</td><td>0</td><td>0</td> <td>17</td><td>16</td><td>15</td><td>14</td><td>13</td><td>12</td><td>11</td><td>10</td> </tr> </table>	0	0	0	1	0	0	0	0	17	16	15	14	13	12	11	10
0	0	0	1	0	0	0	0	17	16	15	14	13	12	11	10		
Machine Cycle:	1																
Operation:	Timer 0 set																
Description:	The data specified by 17 to 10 is loaded to the Timer 0 to start the timer.																
MOV TM0L, R	Move R content to TM0L																
Machine Code:	<table border="1"> <tr> <td>0</td><td>0</td><td>0</td><td>1</td><td>0</td><td>1</td><td>0</td><td>0</td> <td>0</td><td>R6</td><td>R5</td><td>R4</td><td>R3</td><td>R2</td><td>R1</td><td>R0</td> </tr> </table>	0	0	0	1	0	1	0	0	0	R6	R5	R4	R3	R2	R1	R0
0	0	0	1	0	1	0	0	0	R6	R5	R4	R3	R2	R1	R0		
Machine Cycle:	1																
Operation:	TM0L ← (R)																
Description:	The contents of the data memory location addressed by R6 to R0 are loaded into the TM0L.																
MOV TM0H, R	Move R content to TM0H																
Machine code:	<table border="1"> <tr> <td>0</td><td>0</td><td>0</td><td>1</td><td>0</td><td>1</td><td>0</td><td>0</td> <td>1</td><td>R6</td><td>R5</td><td>R4</td><td>R3</td><td>R2</td><td>R1</td><td>R0</td> </tr> </table>	0	0	0	1	0	1	0	0	1	R6	R5	R4	R3	R2	R1	R0
0	0	0	1	0	1	0	0	1	R6	R5	R4	R3	R2	R1	R0		
Machine Cycle:	1																
Operation:	TM0H ← (R)																
Description:	The contents of the data memory location addressed by R6 to R0 are loaded into the TM0H.																
MOV TM1, #I	Timer 1 set																
Machine Code:	<table border="1"> <tr> <td>0</td><td>0</td><td>0</td><td>1</td><td>0</td><td>0</td><td>0</td><td>1</td> <td>17</td><td>16</td><td>15</td><td>14</td><td>13</td><td>12</td><td>11</td><td>10</td> </tr> </table>	0	0	0	1	0	0	0	1	17	16	15	14	13	12	11	10
0	0	0	1	0	0	0	1	17	16	15	14	13	12	11	10		
Machine Cycle:	1																
Operation:	Timer 1 set																
Description:	The data specified by 17 to 10 is loaded to the Timer 1 to start the timer.																



Instruction Set Table 2, continued

MOV TM1L, R	Move R content to TM1L		
Machine Code:	<table border="1"> <tr> <td>0 0 0 1 0 1 0 1</td> <td>0 R6 R5 R4 R3 R2 R1 R0</td> </tr> </table>	0 0 0 1 0 1 0 1	0 R6 R5 R4 R3 R2 R1 R0
0 0 0 1 0 1 0 1	0 R6 R5 R4 R3 R2 R1 R0		
Machine Cycle:	1		
Operation:	TM1L ← (R)		
Description:	The contents of the data memory location addressed by R6 to R0 are loaded into the TM1L.		
MOV TM1H, R	Move R content to TM1H		
Machine code:	<table border="1"> <tr> <td>0 0 0 1 0 1 0 1</td> <td>1 R6 R5 R4 R3 R2 R1 R0</td> </tr> </table>	0 0 0 1 0 1 0 1	1 R6 R5 R4 R3 R2 R1 R0
0 0 0 1 0 1 0 1	1 R6 R5 R4 R3 R2 R1 R0		
Machine Cycle:	1		
Operation:	TM1H ← (R)		
Description:	The contents of the data memory location addressed by R6 to R0 are loaded into the TM1H.		
MOV WR, LCDR	Load LCDR content to WR		
Machine Code:	<table border="1"> <tr> <td>0 1 0 0 0 1 1 D4</td> <td>D3 D2 D1 D0 W3 W2 W1 W0</td> </tr> </table>	0 1 0 0 0 1 1 D4	D3 D2 D1 D0 W3 W2 W1 W0
0 1 0 0 0 1 1 D4	D3 D2 D1 D0 W3 W2 W1 W0		
Machine Cycle:	1		
Operation:	WR ← (LCDR)		
Description:	The contents of the LCD data RAM location addressed by D4 to D0 are loaded to the WR.		
MOV WR, R	Move R content to WR		
Machine Code:	<table border="1"> <tr> <td>1 1 1 0 1 W3 W2 W1</td> <td>W0 R6 R5 R4 R3 R2 R1 R0</td> </tr> </table>	1 1 1 0 1 W3 W2 W1	W0 R6 R5 R4 R3 R2 R1 R0
1 1 1 0 1 W3 W2 W1	W0 R6 R5 R4 R3 R2 R1 R0		
Machine Cycle:	1		
Operation:	WR ← (R)		
Description:	The contents of the data memory location addressed by R6 to R0 are loaded to the WR.		



Instruction Set Table 2, continued

MOV WR, @R	Indirect load from R to WR																
Machine Code:	<table border="1" style="display: inline-table; vertical-align: middle;"> <tr> <td>1</td><td>1</td><td>0</td><td>0</td><td>1</td><td>W3</td><td>W2</td><td>W1</td> </tr> </table> <table border="1" style="display: inline-table; vertical-align: middle; margin-left: 20px;"> <tr> <td>W0</td><td>R6</td><td>R5</td><td>R4</td><td>R3</td><td>R2</td><td>R1</td><td>R0</td> </tr> </table>	1	1	0	0	1	W3	W2	W1	W0	R6	R5	R4	R3	R2	R1	R0
1	1	0	0	1	W3	W2	W1										
W0	R6	R5	R4	R3	R2	R1	R0										
Machine Cycle:	2																
Operation:	$WR \leftarrow [PR(\text{bit2}, \text{bit1}, \text{bit0}) \times 10H + (R)]$																
Description:	The data memory contents of address $[PR(\text{bit2}, \text{bit1}, \text{bit0}) \times 10H + (R)]$ are loaded to the WR.																
MOV @R, WR	Indirect load from WR to R																
Machine Code:	<table border="1" style="display: inline-table; vertical-align: middle;"> <tr> <td>1</td><td>1</td><td>0</td><td>1</td><td>1</td><td>W3</td><td>W2</td><td>W1</td> </tr> </table> <table border="1" style="display: inline-table; vertical-align: middle; margin-left: 20px;"> <tr> <td>W0</td><td>R6</td><td>R5</td><td>R4</td><td>R3</td><td>R2</td><td>R1</td><td>R0</td> </tr> </table>	1	1	0	1	1	W3	W2	W1	W0	R6	R5	R4	R3	R2	R1	R0
1	1	0	1	1	W3	W2	W1										
W0	R6	R5	R4	R3	R2	R1	R0										
Machine Cycle:	2																
Operation:	$[PR(\text{bit2}, \text{bit1}, \text{bit0}) \times 10H + (R)] \leftarrow WR$																
Description:	The contents of the WR are loaded to the data memory location addressed by $[PR(\text{bit2}, \text{bit1}, \text{bit0}) \times 10H + (R)]$.																
MOV PAGE, R	Move R content to Page Register																
Machine Code:	<table border="1" style="display: inline-table; vertical-align: middle;"> <tr> <td>0</td><td>1</td><td>0</td><td>1</td><td>1</td><td>1</td><td>1</td><td>0</td> </tr> </table> <table border="1" style="display: inline-table; vertical-align: middle; margin-left: 20px;"> <tr> <td>1</td><td>R6</td><td>R5</td><td>R4</td><td>R3</td><td>R2</td><td>R1</td><td>R0</td> </tr> </table>	0	1	0	1	1	1	1	0	1	R6	R5	R4	R3	R2	R1	R0
0	1	0	1	1	1	1	0										
1	R6	R5	R4	R3	R2	R1	R0										
Machine Cycle:	1																
Operation:	$PR \leftarrow (R)$																
Description:	The contents of the data memory location addressed by R6 to R0 are loaded to the PR.																



Instruction Set Table 2, continued

MOVA R, CF	Move CF content to ACC.0 & R.0																
Machine Code:	<table border="1" style="display: inline-table; border-collapse: collapse;"> <tr> <td style="padding: 2px 5px;">0</td><td style="padding: 2px 5px;">1</td><td style="padding: 2px 5px;">0</td><td style="padding: 2px 5px;">1</td><td style="padding: 2px 5px;">1</td><td style="padding: 2px 5px;">0</td><td style="padding: 2px 5px;">0</td><td style="padding: 2px 5px;">1</td> </tr> </table> <table border="1" style="display: inline-table; border-collapse: collapse; margin-left: 20px;"> <tr> <td style="padding: 2px 5px;">0</td><td style="padding: 2px 5px;">R6</td><td style="padding: 2px 5px;">R5</td><td style="padding: 2px 5px;">R4</td><td style="padding: 2px 5px;">R3</td><td style="padding: 2px 5px;">R2</td><td style="padding: 2px 5px;">R1</td><td style="padding: 2px 5px;">R0</td> </tr> </table>	0	1	0	1	1	0	0	1	0	R6	R5	R4	R3	R2	R1	R0
0	1	0	1	1	0	0	1										
0	R6	R5	R4	R3	R2	R1	R0										
Machine Cycle:	1																
Operation:	ACC.0, R.0 ← (CF)																
Description:	The content of CF is loaded to bit 0 of the data memory location addressed by R6 to R0 and the ACC. The other bits of the data memory and ACC are reset to "0."																
Flag Affected:	ZF																
MOVA R, HCFH	Move HCF4~7 to ACC & R																
Machine Code:	<table border="1" style="display: inline-table; border-collapse: collapse;"> <tr> <td style="padding: 2px 5px;">0</td><td style="padding: 2px 5px;">1</td><td style="padding: 2px 5px;">0</td><td style="padding: 2px 5px;">0</td><td style="padding: 2px 5px;">1</td><td style="padding: 2px 5px;">0</td><td style="padding: 2px 5px;">0</td><td style="padding: 2px 5px;">1</td> </tr> </table> <table border="1" style="display: inline-table; border-collapse: collapse; margin-left: 20px;"> <tr> <td style="padding: 2px 5px;">1</td><td style="padding: 2px 5px;">R6</td><td style="padding: 2px 5px;">R5</td><td style="padding: 2px 5px;">R4</td><td style="padding: 2px 5px;">R3</td><td style="padding: 2px 5px;">R2</td><td style="padding: 2px 5px;">R1</td><td style="padding: 2px 5px;">R0</td> </tr> </table>	0	1	0	0	1	0	0	1	1	R6	R5	R4	R3	R2	R1	R0
0	1	0	0	1	0	0	1										
1	R6	R5	R4	R3	R2	R1	R0										
Machine Cycle:	1																
Operation:	ACC, R ← HCF4~7																
Description:	<p>The contents of HCF bit 4 to bit 7 (HCF4 to HCF7) are loaded to the data memory location addressed by R6 to R0 and the ACC. The ACC contents and the meaning of the bits after execution of this instruction are as follows:</p> <table border="1" style="width: 100%; border-collapse: collapse;"> <tr> <td style="width: 15%; padding: 5px;">Bit 0</td> <td style="padding: 5px;">HCF4: "1" when the HOLD mode is released by overflow from Divide r 1 for the W741C260 body; HCF4: "1" when the HOLD mode is released by the falling edge signal at the INT pin for the W741C250 body.</td> </tr> <tr> <td style="padding: 5px;">Bit 1</td> <td style="padding: 5px;">HCF7: "1" when the HOLD mode is released by underflow from Timer 1.</td> </tr> <tr> <td style="padding: 5px;">Bit 2</td> <td style="padding: 5px;">Reserved.</td> </tr> <tr> <td style="padding: 5px;">Bit 3</td> <td style="padding: 5px;">Reserved.</td> </tr> </table>	Bit 0	HCF4: "1" when the HOLD mode is released by overflow from Divide r 1 for the W741C260 body; HCF4: "1" when the HOLD mode is released by the falling edge signal at the INT pin for the W741C250 body.	Bit 1	HCF7: "1" when the HOLD mode is released by underflow from Timer 1.	Bit 2	Reserved.	Bit 3	Reserved.								
Bit 0	HCF4: "1" when the HOLD mode is released by overflow from Divide r 1 for the W741C260 body; HCF4: "1" when the HOLD mode is released by the falling edge signal at the INT pin for the W741C250 body.																
Bit 1	HCF7: "1" when the HOLD mode is released by underflow from Timer 1.																
Bit 2	Reserved.																
Bit 3	Reserved.																
Flag Affected:	ZF																



Instruction Set Table 2, continued

MOVA R, HCFL	Move HCF0~3 to ACC & R								
Machine Code:	<table border="1"> <tr> <td>0 1 0 0 1 0 0 1</td> <td>0 R6 R5 R4 R3 R2 R1 R0</td> </tr> </table>	0 1 0 0 1 0 0 1	0 R6 R5 R4 R3 R2 R1 R0						
0 1 0 0 1 0 0 1	0 R6 R5 R4 R3 R2 R1 R0								
Machine Cycle:	1								
Operation:	ACC, R ← HCF0~3								
Description:	<p>The contents of HCF bit 0 to bit 3 (HCF0 to HCF3) are loaded to the data memory location addressed by R6 to R0 and the ACC. The ACC contents and the meaning of the bits after execution of this instruction are as follows:</p> <table border="1"> <tr> <td>Bit 0</td> <td>HCF0: "1" when the HOLD mode is released by overflow from the Divider 0.</td> </tr> <tr> <td>Bit 1</td> <td>HCF1: "1" when the HOLD mode is released by underflow from Timer 0.</td> </tr> <tr> <td>Bit 2</td> <td>HCF2: "1" when the HOLD mode is released by a signal change on port RC.</td> </tr> <tr> <td>Bit 3</td> <td>Reserved.</td> </tr> </table>	Bit 0	HCF0: "1" when the HOLD mode is released by overflow from the Divider 0.	Bit 1	HCF1: "1" when the HOLD mode is released by underflow from Timer 0.	Bit 2	HCF2: "1" when the HOLD mode is released by a signal change on port RC.	Bit 3	Reserved.
Bit 0	HCF0: "1" when the HOLD mode is released by overflow from the Divider 0.								
Bit 1	HCF1: "1" when the HOLD mode is released by underflow from Timer 0.								
Bit 2	HCF2: "1" when the HOLD mode is released by a signal change on port RC.								
Bit 3	Reserved.								
Flag Affected:	ZF								
MOVA R, PAGE	Move Page Register content to ACC & R								
Machine Code:	<table border="1"> <tr> <td>0 1 0 1 1 1 1 1</td> <td>1 R6 R5 R4 R3 R2 R1 R0</td> </tr> </table>	0 1 0 1 1 1 1 1	1 R6 R5 R4 R3 R2 R1 R0						
0 1 0 1 1 1 1 1	1 R6 R5 R4 R3 R2 R1 R0								
Machine Cycle:	1								
Operation:	ACC , R ← (Page Register)								
Description:	<p>The contents of the Page Register (PR) are loaded to the data memory location addressed by R6 to R0 and the ACC.</p>								
Flag Affected:	ZF								



Instruction Set Table 2, continued

MOVA R, PSR0	Move Port Status Register 0 content to ACC & R																
Machine Code:	<table border="1" style="display: inline-table; margin-right: 20px;"> <tr> <td>0</td><td>1</td><td>0</td><td>0</td><td>1</td><td>1</td><td>1</td><td>1</td> </tr> </table> <table border="1" style="display: inline-table;"> <tr> <td>0</td><td>R6</td><td>R5</td><td>R4</td><td>R3</td><td>R2</td><td>R1</td><td>R0</td> </tr> </table>	0	1	0	0	1	1	1	1	0	R6	R5	R4	R3	R2	R1	R0
0	1	0	0	1	1	1	1										
0	R6	R5	R4	R3	R2	R1	R0										
Machine Cycle:	1																
Operation:	ACC, R ← RC port signal change flag (PSR0)																
Description:	The contents of the RC port signal change flag (PSR0) are loaded to the data memory location addressed by R6 to R0 and the ACC. When the signal changes on any pin of the RC port, the corresponding signal change flag should be set to 1. Otherwise, it should be 0.																
Flag Affected:	ZF																
MOVA R, WR	Move WR content to ACC & R																
Machine Code:	<table border="1" style="display: inline-table; margin-right: 20px;"> <tr> <td>0</td><td>1</td><td>1</td><td>1</td><td>1</td><td>W3</td><td>W2</td><td>W1</td> </tr> </table> <table border="1" style="display: inline-table;"> <tr> <td>W0</td><td>R6</td><td>R5</td><td>R4</td><td>R3</td><td>R2</td><td>R1</td><td>R0</td> </tr> </table>	0	1	1	1	1	W3	W2	W1	W0	R6	R5	R4	R3	R2	R1	R0
0	1	1	1	1	W3	W2	W1										
W0	R6	R5	R4	R3	R2	R1	R0										
Machine Cycle:	1																
Operation:	ACC, R ← (WR)																
Description:	The contents of the WR are loaded to the ACC and the data memory location addressed by R6 to R0.																
Flag Affected:	ZF																
MOVA WR, R	Move R content to ACC & WR																
Machine Code:	<table border="1" style="display: inline-table; margin-right: 20px;"> <tr> <td>0</td><td>1</td><td>1</td><td>0</td><td>1</td><td>W3</td><td>W2</td><td>W1</td> </tr> </table> <table border="1" style="display: inline-table;"> <tr> <td>W0</td><td>R6</td><td>R5</td><td>R4</td><td>R3</td><td>R2</td><td>R1</td><td>R0</td> </tr> </table>	0	1	1	0	1	W3	W2	W1	W0	R6	R5	R4	R3	R2	R1	R0
0	1	1	0	1	W3	W2	W1										
W0	R6	R5	R4	R3	R2	R1	R0										
Machine Cycle:	1																
Operation:	ACC, WR ← (R)																
Description:	The contents of the data memory location addressed by R6 to R0 are loaded to the WR and the ACC.																
Flag Affected:	ZF																



Instruction Set Table 2, continued

MOV TABL, R	Move R content to TABL																
Machine Code:	<table border="1" style="display: inline-table; vertical-align: middle;"><tr><td>1</td><td>0</td><td>0</td><td>1</td><td>1</td><td>0</td><td>0</td><td>0</td></tr></table> <table border="1" style="display: inline-table; vertical-align: middle;"><tr><td>0</td><td>R6</td><td>R5</td><td>R4</td><td>R3</td><td>R2</td><td>R1</td><td>R0</td></tr></table>	1	0	0	1	1	0	0	0	0	R6	R5	R4	R3	R2	R1	R0
1	0	0	1	1	0	0	0										
0	R6	R5	R4	R3	R2	R1	R0										
Machine Cycle:	1																
Operation:	TABL ← (R)																
Description:	The contents of the data memory location addressed by R6 to R0 are loaded into the TABL.																
MOV TABH, R	Move R content to TABH																
Machine code:	<table border="1" style="display: inline-table; vertical-align: middle;"><tr><td>1</td><td>0</td><td>0</td><td>1</td><td>1</td><td>0</td><td>0</td><td>0</td></tr></table> <table border="1" style="display: inline-table; vertical-align: middle;"><tr><td>1</td><td>R6</td><td>R5</td><td>R4</td><td>R3</td><td>R2</td><td>R1</td><td>R0</td></tr></table>	1	0	0	1	1	0	0	0	1	R6	R5	R4	R3	R2	R1	R0
1	0	0	1	1	0	0	0										
1	R6	R5	R4	R3	R2	R1	R0										
Machine Cycle:	1																
Operation:	TABH ← (R)																
Description:	The contents of the data memory location addressed by R6 to R0 are loaded into the TABH.																
MOVC R	Move look-up table ROM addressed by TABL and TABH to R																
Machine code:	<table border="1" style="display: inline-table; vertical-align: middle;"><tr><td>1</td><td>0</td><td>0</td><td>1</td><td>1</td><td>0</td><td>0</td><td>1</td></tr></table> <table border="1" style="display: inline-table; vertical-align: middle;"><tr><td>0</td><td>R6</td><td>R5</td><td>R4</td><td>R3</td><td>R2</td><td>R1</td><td>R0</td></tr></table>	1	0	0	1	1	0	0	1	0	R6	R5	R4	R3	R2	R1	R0
1	0	0	1	1	0	0	1										
0	R6	R5	R4	R3	R2	R1	R0										
Machine Cycle:	2																
Operation:	$WR \leftarrow [(TABH) \times 10H + (TABL)]$																
Description:	The contents of the look-up table ROM location addressed by TABH and TABL are loaded to R.																



Instruction Set Table 2, continued

MOVC WR, #I	Move look-up table ROM addressed by #I and ACC to WR																
Machine code:	<table border="1" style="display: inline-table; margin-right: 20px;"> <tr> <td>1</td><td>0</td><td>1</td><td>0</td><td>1</td> <td>W3</td><td>W2</td><td>W1</td> </tr> </table> <table border="1" style="display: inline-table;"> <tr> <td>W0</td><td>I6</td><td>I5</td><td>I4</td><td>I3</td><td>I2</td><td>I1</td><td>I0</td> </tr> </table>	1	0	1	0	1	W3	W2	W1	W0	I6	I5	I4	I3	I2	I1	I0
1	0	1	0	1	W3	W2	W1										
W0	I6	I5	I4	I3	I2	I1	I0										
Machine Cycle:	2																
Operation:	$WR \leftarrow [(I6 \sim I0) \times 10H + (ACC)]$																
Description:	The contents of the look-up table ROM location addressed by I6 to I0 and the ACC are loaded to R.																
NOP	No Operation																
Machine Code:	<table border="1" style="display: inline-table; margin-right: 20px;"> <tr> <td>0</td><td>0</td><td>0</td><td>0</td><td>0</td><td>0</td><td>0</td><td>0</td> </tr> </table> <table border="1" style="display: inline-table;"> <tr> <td>0</td><td>0</td><td>0</td><td>0</td><td>0</td><td>0</td><td>0</td><td>0</td> </tr> </table>	0	0	0	0	0	0	0	0	0	0	0	0	0	0	0	0
0	0	0	0	0	0	0	0										
0	0	0	0	0	0	0	0										
Machine Cycle:	1																
Operation:	No Operation																
ORL R, ACC	OR R to ACC																
Machine Code:	<table border="1" style="display: inline-table; margin-right: 20px;"> <tr> <td>0</td><td>0</td><td>1</td><td>1</td><td>1</td><td>0</td><td>1</td><td>0</td> </tr> </table> <table border="1" style="display: inline-table;"> <tr> <td>0</td><td>R6</td><td>R5</td><td>R4</td><td>R3</td><td>R2</td><td>R1</td><td>R0</td> </tr> </table>	0	0	1	1	1	0	1	0	0	R6	R5	R4	R3	R2	R1	R0
0	0	1	1	1	0	1	0										
0	R6	R5	R4	R3	R2	R1	R0										
Machine Cycle:	1																
Operation:	$ACC \leftarrow (R) \wedge (ACC)$																
Description:	The contents of the data memory location addressed by R6 to R0 and the ACC are ORed and the result is loaded into the ACC.																
Flag Affected:	ZF																



Instruction Set Table 2, continued

ORL WR , #I	OR immediate data to WR																
Machine Code:	<table border="1" style="display: inline-table; vertical-align: middle;"><tr><td>0</td><td>0</td><td>1</td><td>1</td><td>1</td><td>1</td><td>1</td><td>0</td></tr></table> <table border="1" style="display: inline-table; vertical-align: middle;"><tr><td>I3</td><td>I2</td><td>I1</td><td>I0</td><td>W3</td><td>W2</td><td>W1</td><td>W0</td></tr></table>	0	0	1	1	1	1	1	0	I3	I2	I1	I0	W3	W2	W1	W0
0	0	1	1	1	1	1	0										
I3	I2	I1	I0	W3	W2	W1	W0										
Machine Cycle:	1																
Operation:	$ACC \leftarrow (WR) \wedge I$																
Description:	The contents of the Working Register (WR) and the immediate data I are ORed and the result is loaded into the ACC.																
Flag Affected:	ZF																
ORLR R, ACC	OR R to ACC																
Machine Code:	<table border="1" style="display: inline-table; vertical-align: middle;"><tr><td>0</td><td>0</td><td>1</td><td>1</td><td>1</td><td>0</td><td>1</td><td>1</td></tr></table> <table border="1" style="display: inline-table; vertical-align: middle;"><tr><td>0</td><td>R6</td><td>R5</td><td>R4</td><td>R3</td><td>R2</td><td>R1</td><td>R0</td></tr></table>	0	0	1	1	1	0	1	1	0	R6	R5	R4	R3	R2	R1	R0
0	0	1	1	1	0	1	1										
0	R6	R5	R4	R3	R2	R1	R0										
Machine Cycle:	1																
Operation:	$ACC, R \leftarrow (R) \wedge (ACC)$																
Description:	The contents of the data memory location addressed by R6 to R0 and the ACC are ORed and the result is placed in the data memory and the ACC.																
Flag Affected:	ZF																
ORLR WR , #I	OR immediate data to WR																
Machine Code:	<table border="1" style="display: inline-table; vertical-align: middle;"><tr><td>0</td><td>0</td><td>1</td><td>1</td><td>1</td><td>1</td><td>1</td><td>1</td></tr></table> <table border="1" style="display: inline-table; vertical-align: middle;"><tr><td>I3</td><td>I2</td><td>I1</td><td>I0</td><td>W3</td><td>W2</td><td>W1</td><td>W0</td></tr></table>	0	0	1	1	1	1	1	1	I3	I2	I1	I0	W3	W2	W1	W0
0	0	1	1	1	1	1	1										
I3	I2	I1	I0	W3	W2	W1	W0										
Machine Cycle:	1																
Operation:	$ACC, WR \leftarrow (WR) \wedge I$																
Description:	The contents of the Working Register(WR) and the immediate data I are ORed and the result is placed in the WR and the ACC.																
Flag Affected:	ZF																



Instruction Set Table 2, continued

RLC	R	Rotate Left R with CF																
Machine Code:		<table border="1"> <tr> <td>0</td><td>1</td><td>0</td><td>0</td><td>1</td><td>1</td><td>0</td><td>0</td> </tr> </table> <table border="1"> <tr> <td>1</td><td>R6</td><td>R5</td><td>R4</td><td>R3</td><td>R2</td><td>R1</td><td>R0</td> </tr> </table>	0	1	0	0	1	1	0	0	1	R6	R5	R4	R3	R2	R1	R0
0	1	0	0	1	1	0	0											
1	R6	R5	R4	R3	R2	R1	R0											
Machine Cycle:		1																
Operation:		ACC.n, R.n ← (R.n-1); ACC.0, R.0 ← CF; CF ← R.3																
Description:		The contents of the ACC and the data memory location addressed by R6 to R0 are rotated left one bit, bit 3 is rotated into CF, and CF rotated into bit 0 (LSB). The same contents are loaded into the ACC.																
Flag Affected:		CF & ZF																
RRC	R	Rotate Right R with CF																
Machine Code:		<table border="1"> <tr> <td>0</td><td>1</td><td>0</td><td>0</td><td>1</td><td>1</td><td>0</td><td>1</td> </tr> </table> <table border="1"> <tr> <td>1</td><td>R6</td><td>R5</td><td>R4</td><td>R3</td><td>R2</td><td>R1</td><td>R0</td> </tr> </table>	0	1	0	0	1	1	0	1	1	R6	R5	R4	R3	R2	R1	R0
0	1	0	0	1	1	0	1											
1	R6	R5	R4	R3	R2	R1	R0											
Machine Cycle:		1																
Operation:		ACC.n, R.n ← (R.n+1); ACC.3, R.3 ← CF; CF ← R.0																
Description:		The contents of the ACC and the data memory location addressed by R6 to R0 are rotated right one bit, bit 0 is rotated into CF, and CF is rotated into bit 3 (MSB). The same contents are loaded into the ACC.																
Flag Affected:		CF & ZF																
RTN		Return from subroutine																
Machine Code:		<table border="1"> <tr> <td>0</td><td>0</td><td>0</td><td>0</td><td>0</td><td>0</td><td>0</td><td>1</td> </tr> </table> <table border="1"> <tr> <td>0</td><td>0</td><td>0</td><td>0</td><td>0</td><td>0</td><td>0</td><td>0</td> </tr> </table>	0	0	0	0	0	0	0	1	0	0	0	0	0	0	0	0
0	0	0	0	0	0	0	1											
0	0	0	0	0	0	0	0											
Machine Cycle:		1																
Operation:		(PC) ← STACK																
Description:		The program counter (PC10 to PC0) is restored from the stack. A return from a subroutine occurs.																



Instruction Set Table 2, continued

SBC R, ACC	Subtract ACC from R with Borrow																	
Machine Code:	<table border="1"><tr><td>0</td><td>0</td><td>0</td><td>0</td><td>1</td><td>0</td><td>1</td><td>0</td></tr></table>	0	0	0	0	1	0	1	0	<table border="1"><tr><td>0</td><td>R6</td><td>R5</td><td>R4</td><td>R3</td><td>R2</td><td>R1</td><td>R0</td></tr></table>	0	R6	R5	R4	R3	R2	R1	R0
0	0	0	0	1	0	1	0											
0	R6	R5	R4	R3	R2	R1	R0											
Machine Cycle:	1																	
Operation:	$ACC \leftarrow (R) - (ACC) - (CF)$																	
Description:	The contents of the ACC and CF are binary subtracted from the contents of the data memory location addressed by R6 to R0 and the result is loaded into the ACC.																	
Flag Affected:	CF & ZF																	
SBC WR, #I	Subtract immediate data from WR with Borrow																	
Machine Code:	<table border="1"><tr><td>0</td><td>0</td><td>0</td><td>0</td><td>1</td><td>1</td><td>1</td><td>0</td></tr></table>	0	0	0	0	1	1	1	0	<table border="1"><tr><td>I3</td><td>I2</td><td>I1</td><td>I0</td><td>W3</td><td>W2</td><td>W1</td><td>W0</td></tr></table>	I3	I2	I1	I0	W3	W2	W1	W0
0	0	0	0	1	1	1	0											
I3	I2	I1	I0	W3	W2	W1	W0											
Machine Cycle:	1																	
Operation:	$ACC \leftarrow (WR) - I - (CF)$																	
Description:	The immediate data I and CF are binary subtracted from the contents of the WR and the result is loaded into the ACC.																	
Flag Affected:	CF & ZF																	
SBCR R, ACC	Subtract ACC from R with Borrow																	
Machine Code:	<table border="1"><tr><td>0</td><td>0</td><td>0</td><td>0</td><td>1</td><td>0</td><td>1</td><td>1</td></tr></table>	0	0	0	0	1	0	1	1	<table border="1"><tr><td>0</td><td>R6</td><td>R5</td><td>R4</td><td>R3</td><td>R2</td><td>R1</td><td>R0</td></tr></table>	0	R6	R5	R4	R3	R2	R1	R0
0	0	0	0	1	0	1	1											
0	R6	R5	R4	R3	R2	R1	R0											
Machine Cycle:	1																	
Operation:	$ACC, R \leftarrow (R) - (ACC) - (CF)$																	
Description:	The contents of the ACC and CF are binary subtracted from the contents of the data memory location addressed by R6 to R0 and the result is placed in the ACC and the data memory.																	
Flag Affected:	CF & ZF																	



Instruction Set Table 2, continued

SBCR WR, #I	Subtract immediate data from WR with Borrow																	
Machine Code:	<table border="1"><tr><td>0</td><td>0</td><td>0</td><td>0</td><td>1</td><td>1</td><td>1</td><td>1</td></tr></table>	0	0	0	0	1	1	1	1	<table border="1"><tr><td>I3</td><td>I2</td><td>I1</td><td>I0</td><td>W3</td><td>W2</td><td>W1</td><td>W0</td></tr></table>	I3	I2	I1	I0	W3	W2	W1	W0
0	0	0	0	1	1	1	1											
I3	I2	I1	I0	W3	W2	W1	W0											
Machine Cycle:	1																	
Operation:	ACC, R ← (WR) - I - (CF)																	
Description:	The immediate data I and CF are binary subtracted from the contents of the WR and the result is placed in the ACC and the WR.																	
Flag Affected:	CF & ZF																	
SET CF	Set CF																	
Machine Code:	<table border="1"><tr><td>0</td><td>1</td><td>0</td><td>1</td><td>0</td><td>0</td><td>0</td><td>0</td></tr></table>	0	1	0	1	0	0	0	0	<table border="1"><tr><td>0</td><td>1</td><td>0</td><td>0</td><td>0</td><td>0</td><td>0</td><td>0</td></tr></table>	0	1	0	0	0	0	0	0
0	1	0	1	0	0	0	0											
0	1	0	0	0	0	0	0											
Machine Cycle:	1																	
Operation:	Set CF																	
Description:	Set Carry Flag to 1.																	
Flag Affected:	CF																	
SET PMF, #I	Set ParaMeter Flag																	
Machine Code:	<table border="1"><tr><td>0</td><td>0</td><td>0</td><td>1</td><td>0</td><td>1</td><td>1</td><td>0</td></tr></table>	0	0	0	1	0	1	1	0	<table border="1"><tr><td>0</td><td>0</td><td>0</td><td>0</td><td>I3</td><td>I2</td><td>I1</td><td>I0</td></tr></table>	0	0	0	0	I3	I2	I1	I0
0	0	0	1	0	1	1	0											
0	0	0	0	I3	I2	I1	I0											
Machine Cycle:	1																	
Operation:	Set Parameter Flag																	
Description:	Description of each flag: I0, I1, I2 : Reserved I3 = 1 : The input clock of the watchdog timer is Fosc/16384.																	



Instruction Set Table 2, continued

SHLC R	SHift Left R with CF and LSB = 0																
Machine Code:	<table border="1" style="display: inline-table; margin-right: 20px;"> <tr> <td>0</td><td>1</td><td>0</td><td>0</td><td>1</td><td>1</td><td>0</td><td>0</td> </tr> </table> <table border="1" style="display: inline-table;"> <tr> <td>0</td><td>R6</td><td>R5</td><td>R4</td><td>R3</td><td>R2</td><td>R1</td><td>R0</td> </tr> </table>	0	1	0	0	1	1	0	0	0	R6	R5	R4	R3	R2	R1	R0
0	1	0	0	1	1	0	0										
0	R6	R5	R4	R3	R2	R1	R0										
Machine Cycle:	1																
Operation:	ACC.n, R.n ← (R.n-1); ACC.0, R.0 ← 0; CF ← R.3																
Description:	The contents of the ACC and the data memory location addressed by R6 to R0 are shifted left one bit, but bit 3 is shifted into CF, and bit 0 (LSB) is replaced with "0." The same contents are loaded into the ACC.																
Flag Affected:	CF & ZF																
SHRC R	SHift Right R with CF and MSB = 0																
Machine Code:	<table border="1" style="display: inline-table; margin-right: 20px;"> <tr> <td>0</td><td>1</td><td>0</td><td>0</td><td>1</td><td>1</td><td>0</td><td>1</td> </tr> </table> <table border="1" style="display: inline-table;"> <tr> <td>0</td><td>R6</td><td>R5</td><td>R4</td><td>R3</td><td>R2</td><td>R1</td><td>R0</td> </tr> </table>	0	1	0	0	1	1	0	1	0	R6	R5	R4	R3	R2	R1	R0
0	1	0	0	1	1	0	1										
0	R6	R5	R4	R3	R2	R1	R0										
Machine Cycle:	1																
Operation:	ACC.n, R.n ← (R.n+1); ACC.3, R.3 ← 0; CF ← R.0																
Description:	The contents of the ACC and the data memory location addressed by R6 to R0 are shifted right one bit, but bit 0 is shifted into CF, and bit 3 (MSB) is replaced with "0." The same contents are loaded into the ACC.																
Flag Affected:	CF & ZF																
SKB0 R	If bit 0 of R is equal to 1 then skip																
Machine Code:	<table border="1" style="display: inline-table; margin-right: 20px;"> <tr> <td>1</td><td>0</td><td>0</td><td>0</td><td>1</td><td>0</td><td>0</td><td>0</td> </tr> </table> <table border="1" style="display: inline-table;"> <tr> <td>0</td><td>R6</td><td>R5</td><td>R4</td><td>R3</td><td>R2</td><td>R1</td><td>R0</td> </tr> </table>	1	0	0	0	1	0	0	0	0	R6	R5	R4	R3	R2	R1	R0
1	0	0	0	1	0	0	0										
0	R6	R5	R4	R3	R2	R1	R0										
Machine Cycle:	1																
Operation:	PC ← (PC) + 2; if R.0 = 1"1"																
Description:	If bit 0 of R is equal to 1, the program counter is incremented by 2 and a skip is produced. If bit 0 of R is not equal to 1, the program counter (PC) is incremented.																



Instruction Set Table 2, continued

SKB1 R	If bit 1 of R is equal to 1 then skip																
Machine Code:	<table border="1" style="display: inline-table; margin-right: 20px;"> <tr> <td>1</td><td>0</td><td>0</td><td>0</td><td>1</td><td>0</td><td>0</td><td>0</td> </tr> </table> <table border="1" style="display: inline-table;"> <tr> <td>1</td><td>R6</td><td>R5</td><td>R4</td><td>R3</td><td>R2</td><td>R1</td><td>R0</td> </tr> </table>	1	0	0	0	1	0	0	0	1	R6	R5	R4	R3	R2	R1	R0
1	0	0	0	1	0	0	0										
1	R6	R5	R4	R3	R2	R1	R0										
Machine Cycle:	1																
Operation:	$PC \leftarrow (PC) + 2$; if R.1 = 1“1”																
Description:	If bit 1 of R is equal to 1, the program counter is incremented by 2 and a skip is produced. If bit 1 of R is not equal to 1, the program counter (PC) is incremented.																
SKB2 R	If bit 2 of R is equal to 1 then skip																
Machine Code:	<table border="1" style="display: inline-table; margin-right: 20px;"> <tr> <td>1</td><td>0</td><td>0</td><td>0</td><td>1</td><td>0</td><td>1</td><td>0</td> </tr> </table> <table border="1" style="display: inline-table;"> <tr> <td>0</td><td>R6</td><td>R5</td><td>R4</td><td>R3</td><td>R2</td><td>R1</td><td>R0</td> </tr> </table>	1	0	0	0	1	0	1	0	0	R6	R5	R4	R3	R2	R1	R0
1	0	0	0	1	0	1	0										
0	R6	R5	R4	R3	R2	R1	R0										
Machine Cycle:	1																
Operation:	$PC \leftarrow (PC) + 2$; if R.2 = 1“1”																
Description:	If bit 2 of R is equal to 1, the program counter is incremented by 2 and a skip is produced. If bit 2 of R is not equal to 1. The program counter (PC) is incremented.																
SKB3 R	If bit 3 of R is equal to 1 then skip																
Machine Code:	<table border="1" style="display: inline-table; margin-right: 20px;"> <tr> <td>1</td><td>0</td><td>0</td><td>0</td><td>1</td><td>0</td><td>1</td><td>0</td> </tr> </table> <table border="1" style="display: inline-table;"> <tr> <td>1</td><td>R6</td><td>R5</td><td>R4</td><td>R3</td><td>R2</td><td>R1</td><td>R0</td> </tr> </table>	1	0	0	0	1	0	1	0	1	R6	R5	R4	R3	R2	R1	R0
1	0	0	0	1	0	1	0										
1	R6	R5	R4	R3	R2	R1	R0										
Machine Cycle:	1																
Operation:	$PC \leftarrow (PC) + 2$; if R.3 = 1“1”																
Description:	If bit 3 of R is equal to 1, the program counter is incremented by 2 and a skip is produced. If bit 3 of R is not equal to 1, the program counter (PC) is incremented.																



Instruction Set Table 2, continued

STOP	Enter the STOP mode																	
Machine Code:	<table border="1" style="display: inline-table; margin-right: 20px;"> <tr> <td>0</td><td>0</td><td>0</td><td>0</td><td>0</td><td>0</td><td>0</td><td>0</td><td>0</td> </tr> </table> <table border="1" style="display: inline-table;"> <tr> <td>1</td><td>1</td><td>0</td><td>0</td><td>0</td><td>0</td><td>0</td><td>0</td> </tr> </table>	0	0	0	0	0	0	0	0	0	1	1	0	0	0	0	0	0
0	0	0	0	0	0	0	0	0										
1	1	0	0	0	0	0	0											
Machine Cycle:	1																	
Operation:	STOP oscillator																	
Description:	Device enters STOP mode. When the falling edge signal of RC port is accepted, the μC will wake up and execute the next instruction.																	
SUB R, ACC	Subtract ACC from R																	
Machine Code:	<table border="1" style="display: inline-table; margin-right: 20px;"> <tr> <td>0</td><td>0</td><td>0</td><td>1</td><td>1</td><td>0</td><td>1</td><td>0</td> </tr> </table> <table border="1" style="display: inline-table;"> <tr> <td>0</td><td>R6</td><td>R5</td><td>R4</td><td>R3</td><td>R2</td><td>R1</td><td>R0</td> </tr> </table>	0	0	0	1	1	0	1	0	0	R6	R5	R4	R3	R2	R1	R0	
0	0	0	1	1	0	1	0											
0	R6	R5	R4	R3	R2	R1	R0											
Machine Cycle:	1																	
Operation:	$\text{ACC} \leftarrow (\text{R}) - (\text{ACC})$																	
Description:	The contents of the ACC are binary subtracted from the contents of the data memory location addressed by R6 to R0 and the result is loaded into the ACC.																	
Flag Affected:	CF & ZF																	
SUB WR, #I	Subtract immediate data from WR																	
Machine Code:	<table border="1" style="display: inline-table; margin-right: 20px;"> <tr> <td>0</td><td>0</td><td>0</td><td>1</td><td>1</td><td>1</td><td>1</td><td>0</td> </tr> </table> <table border="1" style="display: inline-table;"> <tr> <td>I3</td><td>I2</td><td>I1</td><td>I0</td><td>W3</td><td>W2</td><td>W1</td><td>W0</td> </tr> </table>	0	0	0	1	1	1	1	0	I3	I2	I1	I0	W3	W2	W1	W0	
0	0	0	1	1	1	1	0											
I3	I2	I1	I0	W3	W2	W1	W0											
Machine Cycle:	1																	
Operation:	$\text{ACC} \leftarrow (\text{WR}) - \text{I}$																	
Description:	The immediate data I are binary subtracted from the contents of the WR and the result is loaded into the ACC.																	
Flag Affected:	CF & ZF																	



Instruction Set Table 2, continued

SUBR R, ACC	Subtract ACC from R		
Machine Code:	<table border="1"> <tr> <td>0 0 0 1 1 0 1 1</td> <td>0 R6 R5 R4 R3 R2 R1 R0</td> </tr> </table>	0 0 0 1 1 0 1 1	0 R6 R5 R4 R3 R2 R1 R0
0 0 0 1 1 0 1 1	0 R6 R5 R4 R3 R2 R1 R0		
Machine Cycle:	1		
Operation:	ACC, R ← (R) - (ACC)		
Description:	The contents of the ACC are binary subtracted from the contents of the data memory location addressed by R6 to R0 and the result is placed in the ACC and the data memory.		
Flag Affected:	CF & ZF		
SUBR WR, #I	Subtract immediate data from WR		
Machine Code:	<table border="1"> <tr> <td>0 0 0 1 1 1 1 1</td> <td>I3 I2 I1 I0 W3 W2 W1 W0</td> </tr> </table>	0 0 0 1 1 1 1 1	I3 I2 I1 I0 W3 W2 W1 W0
0 0 0 1 1 1 1 1	I3 I2 I1 I0 W3 W2 W1 W0		
Machine Cycle:	1		
Operation:	ACC, WR ← (WR) - I		
Description:	The immediate data I are binary subtracted from the contents of the WR and the result is placed in the ACC and the WR.		
Flag Affected:	CF & ZF		
XRL R, ACC	Exclusive OR R to ACC		
Machine Code:	<table border="1"> <tr> <td>0 0 1 1 1 0 0 0</td> <td>0 R6 R5 R4 R3 R2 R1 R0</td> </tr> </table>	0 0 1 1 1 0 0 0	0 R6 R5 R4 R3 R2 R1 R0
0 0 1 1 1 0 0 0	0 R6 R5 R4 R3 R2 R1 R0		
Machine Cycle:	1		
Operation:	ACC ← (R) EX (ACC)		
Description:	The contents of the data memory location addressed by R6 to R0 and the ACC are exclusive-ORed and the result is loaded into the ACC.		
Flag Affected:	ZF		



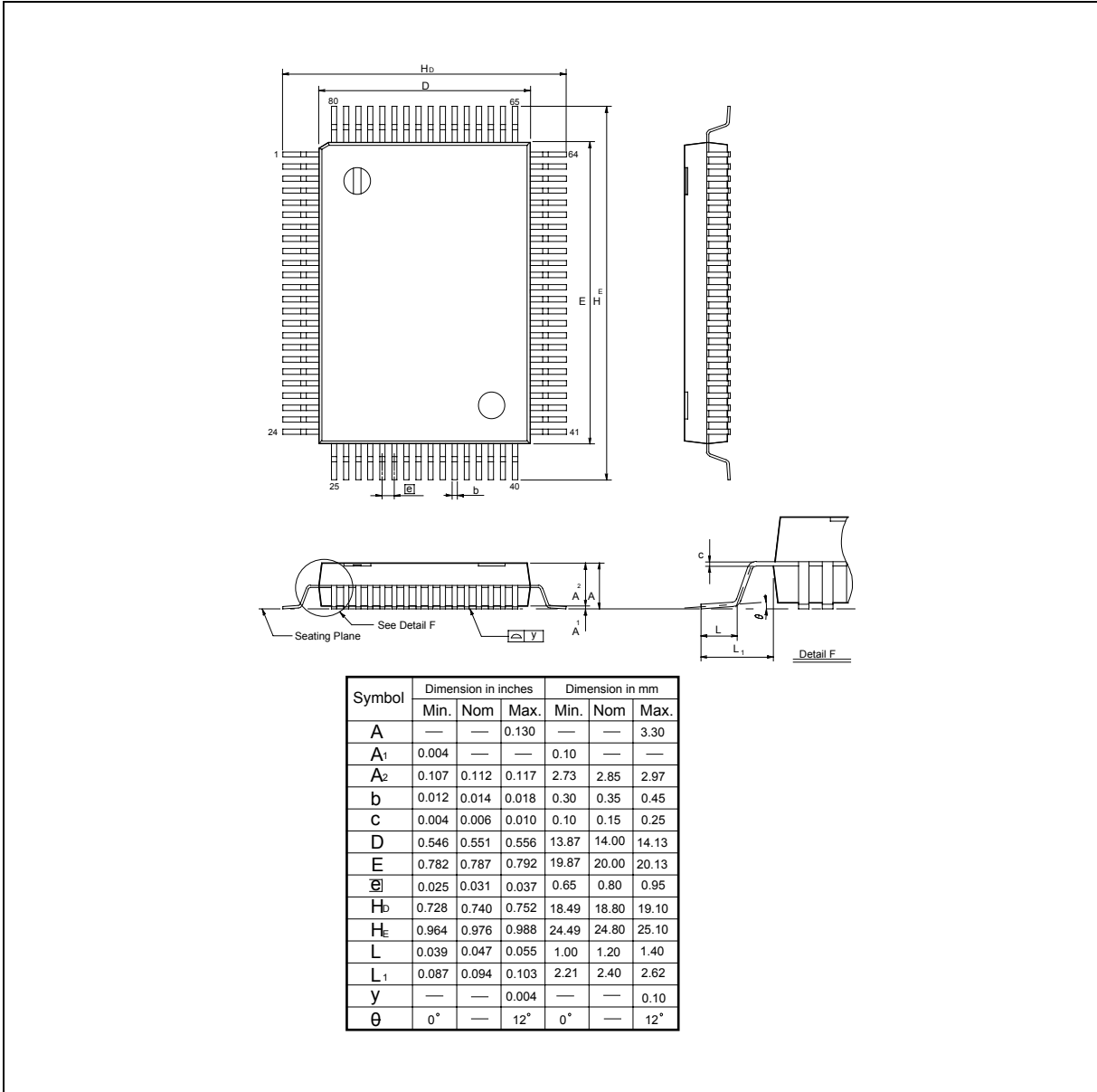
Instruction Set Table 2, continued

XRL WR, #I	Exclusive OR immediate data to WR																
Machine Code:	<table border="1" style="display: inline-table; margin-right: 20px;"> <tr> <td>0</td><td>0</td><td>1</td><td>1</td><td>1</td><td>1</td><td>0</td><td>0</td> </tr> </table> <table border="1" style="display: inline-table;"> <tr> <td>I3</td><td>I2</td><td>I1</td><td>I0</td><td>W3</td><td>W2</td><td>W1</td><td>W0</td> </tr> </table>	0	0	1	1	1	1	0	0	I3	I2	I1	I0	W3	W2	W1	W0
0	0	1	1	1	1	0	0										
I3	I2	I1	I0	W3	W2	W1	W0										
Machine Cycle:	1																
Operation:	ACC ← (WR) EX I																
Description:	The contents of the Working Register (WR) and the immediate data I are exclusive-ORed and the result is loaded into the ACC.																
Flag Affected:	ZF																
XRLR R, ACC	Exclusive OR R to ACC																
Machine Code:	<table border="1" style="display: inline-table; margin-right: 20px;"> <tr> <td>0</td><td>0</td><td>1</td><td>1</td><td>1</td><td>0</td><td>0</td><td>1</td> </tr> </table> <table border="1" style="display: inline-table;"> <tr> <td>0</td><td>R6</td><td>R5</td><td>R4</td><td>R3</td><td>R2</td><td>R1</td><td>R0</td> </tr> </table>	0	0	1	1	1	0	0	1	0	R6	R5	R4	R3	R2	R1	R0
0	0	1	1	1	0	0	1										
0	R6	R5	R4	R3	R2	R1	R0										
Machine Cycle:	1																
Operation:	ACC, R ← (R) EX (ACC)																
Description:	The contents of the data memory location addressed by R6 to R0 and the ACC are exclusive-ORed and the result is placed in the data memory and the ACC.																
Flag Affected:	ZF																
XRLR WR, #I	Exclusive OR immediate data to WR																
Machine Code:	<table border="1" style="display: inline-table; margin-right: 20px;"> <tr> <td>0</td><td>0</td><td>1</td><td>1</td><td>1</td><td>1</td><td>0</td><td>1</td> </tr> </table> <table border="1" style="display: inline-table;"> <tr> <td>I3</td><td>I2</td><td>I1</td><td>I0</td><td>W3</td><td>W2</td><td>W1</td><td>W0</td> </tr> </table>	0	0	1	1	1	1	0	1	I3	I2	I1	I0	W3	W2	W1	W0
0	0	1	1	1	1	0	1										
I3	I2	I1	I0	W3	W2	W1	W0										
Machine Cycle:	1																
Operation:	ACC, WR ← (WR) EX I																
Description:	The contents of the Working Register(WR) and the immediate data I are exclusive-ORed and the result is placed in the WR and the ACC.																
Flag Affected:	ZF																



PACKAGE DIMENSIONS

80-Lead QFP





NOTES:



Headquarters

No. 4, Creation Rd. III,
Science-Based Industrial Park,
Hsinchu, Taiwan
TEL: 886-3-5770066
FAX: 886-3-5792766
<http://www.winbond.com.tw/>
Voice & Fax-on-demand: 886-2-27197006

Taipei Office

11F, No. 115, Sec. 3, Min-Sheng East Rd.,
Taipei, Taiwan
TEL: 886-2-27190505
FAX: 886-2-27197502

Winbond Electronics (H.K.) Ltd.

Rm. 803, World Trade Square, Tower II,
123 Hoi Bun Rd., Kwun Tong,
Kowloon, Hong Kong
TEL: 852-27513100
FAX: 852-27552064

Winbond Electronics North America Corp.

Winbond Memory Lab.
Winbond Microelectronics Corp.
Winbond Systems Lab.
2727 N. First Street, San Jose,
CA 95134, U.S.A.
TEL: 408-9436666
FAX: 408-5441798

Note: All data and specifications are subject to change without notice.