

**MOTOROLA
SEMICONDUCTOR
TECHNICAL DATA****MC68HC05P3***Product Preview***MC68HC05P3****microcomputer unit with 16-bit programmable timer**

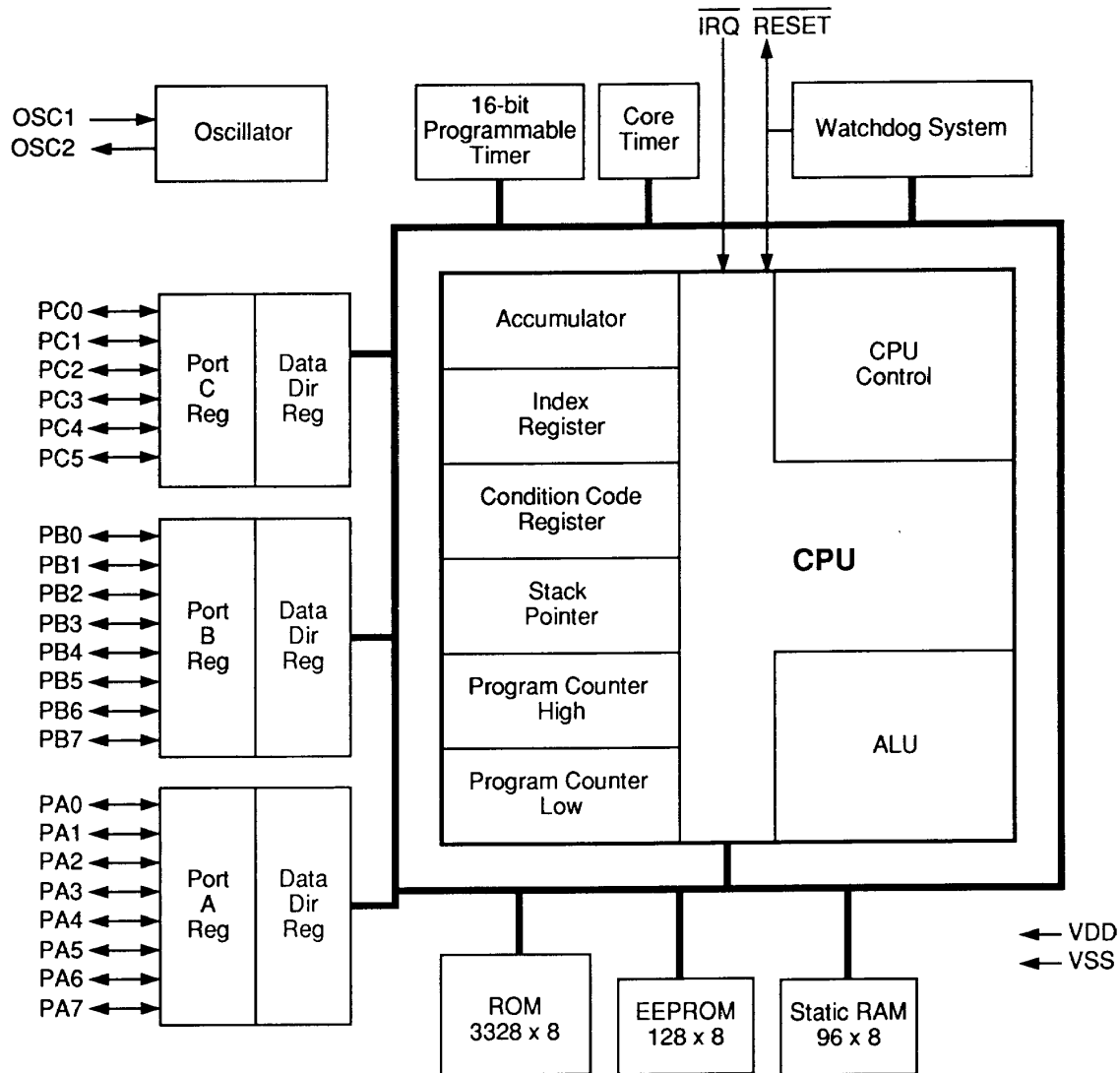
The MC68HC05P3 (HCMOS) 8-bit microcomputer unit (MCU) is a powerful, low cost addition to the M68HC05 family. Featuring a multi-purpose core timer, a 16-bit programmable timer, 128 bytes of EEPROM and a keyboard interrupt, this general purpose MCU can be used in a wide variety of application areas. The MC68HC05P3 is available in 28-pin SOIC and 28-pin DIL packages.

For more detailed information, contact your local Motorola sales office.


The main hardware and software features of the MC68HC05P3 are as follows.

- HC05 8-bit core
- 3K bytes of ROM
- 96 bytes of RAM
- 128 bytes of EEPROM
- Multi-purpose core timer
- Real Time Interrupt (RTI)
- 16-bit programmable timer
- Computer Operating Properly (COP) watchdog timer
- Two 8-bit ports and one 6-bit port
- 22 I/O pins
- Keyboard interrupt
- Power saving WAIT and low power STOP modes
- Available in 28-pin SOIC and 28-pin DIL packages





MC68HC05P3 Block Diagram

Motorola reserves the right to make changes without further notice to any products herein to improve reliability, function or design. Motorola does not assume any liability arising out of the application or use of any product or circuit described herein; neither does it convey any license under its patent rights nor the rights of others. Motorola products are not authorized for use as components in life support devices or systems intended for surgical implant into the body or intended to support or sustain life. Buyer agrees to notify Motorola of any such intended end use whereupon Motorola shall determine availability and suitability of its products for the use intended. Motorola and  are registered trademarks of Motorola, Inc. Motorola, Inc. is an Equal Employment Opportunity/Affirmative Action Employer.

Literature Distribution Centres:

USA: Motorola Literature Distribution; P.O. Box 20912; Phoenix, Arizona 85036.
 EUROPE: Motorola Ltd.; European Literature Centre; 88 Tanners Drive, Blakelands, Milton Keynes, MK14 5BP, England.
 ASIA PACIFIC: Motorola Semiconductors (H.K.) Ltd.; Silicon Harbour Center, No. 2, Dai King Street, Tai Po Industrial Estate, Tai Po, N.T., Hong Kong.
 JAPAN: Nippon Motorola Ltd.; 4-32-1, Nishi-Gotanda, Shinagawaku, Tokyo 141, Japan.



MOTOROLA

Printed in Great Britain by Tavistock Press (Bedford) Ltd. 4500 7/90

021616 ✓ 6