

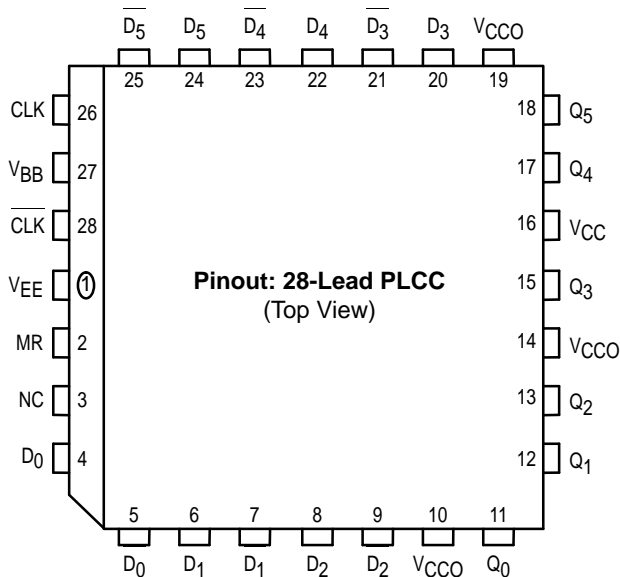
## 6-Bit D Register Differential Data and Clock

The MC10E/100E451 contains six D-type flip-flops with single-ended outputs and differential data inputs. The common clock input is also differential. The registers are triggered by a positive transition of the positive clock (CLK) input.

A HIGH on the Master Reset (MR) input resets all Q outputs to LOW. The  $V_{BB}$  output is intended for use as a reference voltage for single-ended reception of ECL signals to that device only. When using for this purpose, it is recommended that  $V_{BB}$  is decoupled to  $V_{CC}$  via a 0.01 $\mu$ F capacitor.

The differential input structures are clamped so that the inputs of unused registers can be left open without upsetting the bias network of the device. The clamping action will assert the D and the CLK sides of the inputs. Because of the edge triggered flip-flop nature of the device simultaneously opening both the clock and data inputs will result in an output which reaches an unidentified but valid state. Note that the input clamps only operate when both inputs fall to 2.5V below  $V_{CC}$ .

- Differential Inputs: Data and Clock
- $V_{BB}$  Output
- 1100MHz Min. Toggle Frequency
- Asynchronous Master Reset
- Extended 100E  $V_{EE}$  Range of - 4.2V to - 5.46V
- 75k $\Omega$  Input Pulldown Resistors



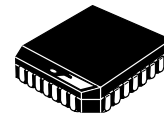
\* All  $V_{CC}$  and  $V_{CC0}$  pins are tied together on the die.

### PIN NAMES

Pin	Function
$D_0 - D_5$	+Data Input
$\overline{D}_0 - \overline{D}_5$	- Data Input
CLK	+Clock Input
$\overline{CLK}$	- Clock Input
MR	Master Reset Input
$V_{BB}$	$V_{BB}$ Output
$Q_0 - Q_5$	Data Outputs

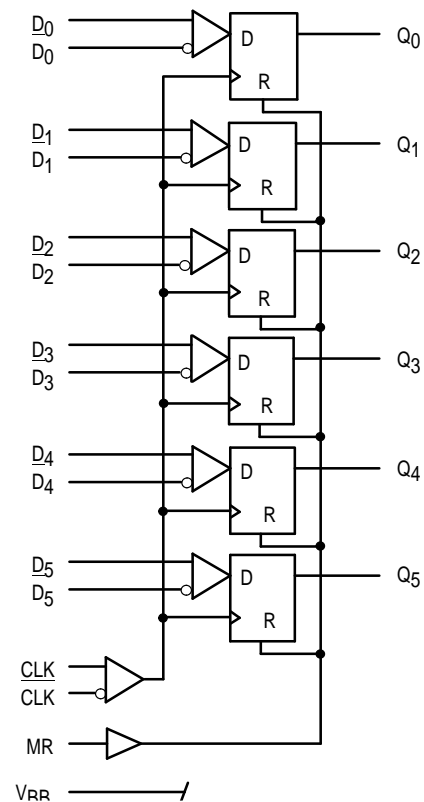
**MC10E451**  
**MC100E451**

**6-BIT D REGISTER**  
**DIFFERENTIAL**  
**DATA AND CLOCK**



**FN SUFFIX**  
PLASTIC PACKAGE  
CASE 776-02

### LOGIC DIAGRAM



# MC10E451 MC100E451

## DC CHARACTERISTICS (V<sub>EE</sub> = V<sub>EE</sub>(min) to V<sub>EE</sub>(max); V<sub>CC</sub> = V<sub>CCO</sub> = GND)

Symbol	Characteristic	0°C			25°C			85°C			Unit	Condition
		min	typ	max	min	typ	max	min	typ	max		
V <sub>BB</sub>	Output Reference Voltage										V	
	10E	-1.3 8	-1.2 7		-1.3 5	-1.2 5		-1.3 1	-1.1 9			
	100E	-1.3 8	-1.2 6		-1.3 8	-1.2 6		-1.3 8	-1.2 6			
I <sub>IH</sub>	Input HIGH Current			150			150			150	μA	
I <sub>EE</sub>	Power Supply Current										mA	
	10E		84	101		84	101		84	101		
	100E		84	101		84	101		97	116		
V <sub>CMR</sub>	Common Mode Range	-2.0		-0.4	-2.0		-0.4	-2.0		-0.4	V	2

- V<sub>CMR</sub> is referenced to the most positive side of the differential input signal. Normal operation is obtained when the "HIGH" input is within the V<sub>CMR</sub> range and the input swing is greater than V<sub>PP</sub> MIN and < 1.0V.

## AC CHARACTERISTICS (V<sub>EE</sub> = V<sub>EE</sub>(min) to V<sub>EE</sub>(max); V<sub>CC</sub> = V<sub>CCO</sub> = GND)

Symbol	Characteristic	0°C			25°C			85°C			Unit	Condition
		min	typ	max	min	typ	max	min	typ	max		
f <sub>MAX</sub>	Max, Toggle Frequency	1100	1400		1100	1400		1100	1400		MHz	
t <sub>PLH</sub> t <sub>PHL</sub>	Propagation Delay to Output										ps	
	CLK (Diff)	475	650	800	475	650	800	475	650	800		
	CLK (SE)	425	650	850	425	650	850	425	650	850		
	MR	425	600	850	425	600	850	425	600	850		
t <sub>s</sub>	Setup Time D	150	-100		150	-100		150	-100		ps	
t <sub>h</sub>	Hold Time D	250	100		250	100		250	100		ps	
V <sub>PP(AC)</sub>	Minimum Input Swing	150			150			159			mV	1
t <sub>RR</sub>	Reset Recovery Time	750	600		750	600		750	600		ps	
t <sub>PW</sub>	Minimum Pulse Width CLK, MR	400			400			400			ps	
t <sub>SKREW</sub>	Within-Device Skew		100			100			100		ps	2
t <sub>r</sub> t <sub>f</sub>	Rise/Fall Times 20 - 80%	275	450	800	275	450	800	275	450	800	ps	

- Minimum input voltage for which AC parameters are guaranteed.
- Within-device skew is defined as identical transitions on similar paths through a device.

OUTLINE DIMENSIONS

FN SUFFIX  
 PLASTIC PLCC PACKAGE  
 CASE 776-02  
 ISSUE D



NOTES:

- DATUMS -L-, -M-, AND -N- DETERMINED WHERE TOP OF LEAD SHOULDER EXITS PLASTIC BODY AT MOLD PARTING LINE.
- DIM G1, TRUE POSITION TO BE MEASURED AT DATUM -T-, SEATING PLANE.
- DIM R AND U DO NOT INCLUDE MOLD FLASH. ALLOWABLE MOLD FLASH IS 0.010 (0.250) PER SIDE.
- DIMENSIONING AND TOLERANCING PER ANSI Y14.5M, 1982.
- CONTROLLING DIMENSION: INCH.
- THE PACKAGE TOP MAY BE SMALLER THAN THE PACKAGE BOTTOM BY UP TO 0.012 (0.300). DIMENSIONS R AND U ARE DETERMINED AT THE OUTERMOST EXTREMES OF THE PLASTIC BODY EXCLUSIVE OF MOLD FLASH, TIE BAR BURRS, GATE BURRS AND INTERLEAD FLASH, BUT INCLUDING ANY MISMATCH BETWEEN THE TOP AND BOTTOM OF THE PLASTIC BODY.
- DIMENSION H DOES NOT INCLUDE DAMBAR PROTRUSION OR INTRUSION. THE DAMBAR PROTRUSION(S) SHALL NOT CAUSE THE H DIMENSION TO BE GREATER THAN 0.037 (0.940). THE DAMBAR INTRUSION(S) SHALL NOT CAUSE THE H DIMENSION TO BE SMALLER THAN 0.025 (0.635).

DIM	INCHES		MILLIMETERS	
	MIN	MAX	MIN	MAX
A	0.485	0.495	12.32	12.57
B	0.485	0.495	12.32	12.57
C	0.165	0.180	4.20	4.57
E	0.090	0.110	2.29	2.79
F	0.013	0.019	0.33	0.48
G	0.050 BSC		1.27 BSC	
H	0.026	0.032	0.66	0.81
J	0.020	—	0.51	—
K	0.025	—	0.64	—
R	0.450	0.456	11.43	11.58
U	0.450	0.456	11.43	11.58
V	0.042	0.048	1.07	1.21
W	0.042	0.048	1.07	1.21
X	0.042	0.056	1.07	1.42
Y	—	0.020	—	0.50
Z	2°		10°	
G1	0.410	0.430	10.42	10.92
K1	0.040	—	1.02	—

Motorola reserves the right to make changes without further notice to any products herein. Motorola makes no warranty, representation or guarantee regarding the suitability of its products for any particular purpose, nor does Motorola assume any liability arising out of the application or use of any product or circuit, and specifically disclaims any and all liability, including without limitation consequential or incidental damages. "Typical" parameters which may be provided in Motorola data sheets and/or specifications can and do vary in different applications and actual performance may vary over time. All operating parameters, including "Typicals" must be validated for each customer application by customer's technical experts. Motorola does not convey any license under its patent rights nor the rights of others. Motorola products are not designed, intended, or authorized for use as components in systems intended for surgical implant into the body, or other applications intended to support or sustain life, or for any other application in which the failure of the Motorola product could create a situation where personal injury or death may occur. Should Buyer purchase or use Motorola products for any such unintended or unauthorized application, Buyer shall indemnify and hold Motorola and its officers, employees, subsidiaries, affiliates, and distributors harmless against all claims, costs, damages, and expenses, and reasonable attorney fees arising out of, directly or indirectly, any claim of personal injury or death associated with such unintended or unauthorized use, even if such claim alleges that Motorola was negligent regarding the design or manufacture of the part. Motorola and  are registered trademarks of Motorola, Inc. Motorola, Inc. is an Equal Opportunity/Affirmative Action Employer.

**How to reach us:**

**USA/EUROPE/Locations Not Listed:** Motorola Literature Distribution;  
P.O. Box 20912; Phoenix, Arizona 85036. 1-800-441-2447 or 602-303-5454

**MFAX:** RMFAX0@email.sps.mot.com – TOUCHTONE 602-244-6609  
**INTERNET:** <http://Design-NET.com>

**JAPAN:** Nippon Motorola Ltd.; Tatsumi-SPD-JLDC, 6F Seibu-Butsuryu-Center,  
3-14-2 Tatsumi Koto-Ku, Tokyo 135, Japan. 03-81-3521-8315

**ASIA/PACIFIC:** Motorola Semiconductors H.K. Ltd.; 8B Tai Ping Industrial Park,  
51 Ting Kok Road, Tai Po, N.T., Hong Kong. 852-26629298

